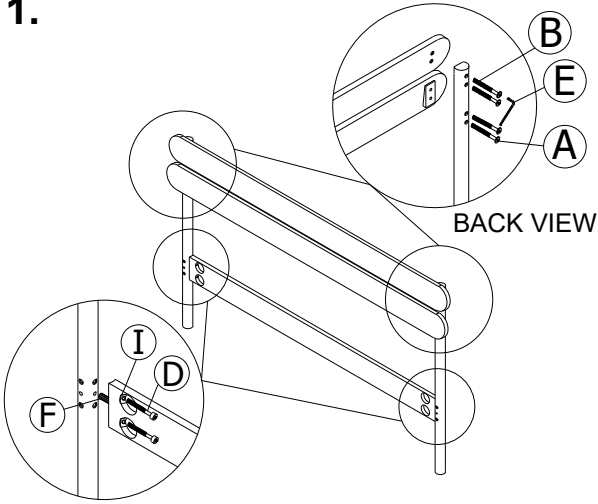


SW 8511 - F/Q/K

1.



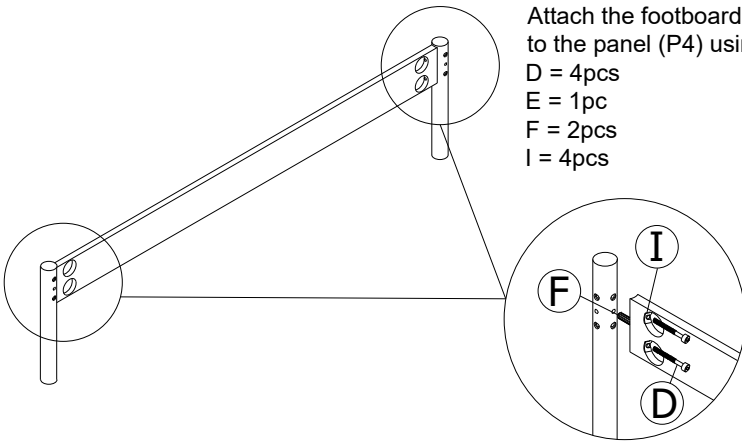
Attach the headboard post (P1) to the headboard upper rail (P2) and the headboard lower rail (P3). You will need to use hardware:

- A = 4pcs
- B = 4pcs
- E = 1pc

Attach the panel (P4) to the headboard post (P1). You will need to use hardware:

- D = 4pcs
- E = 1pc
- F = 2pcs
- I = 4pcs

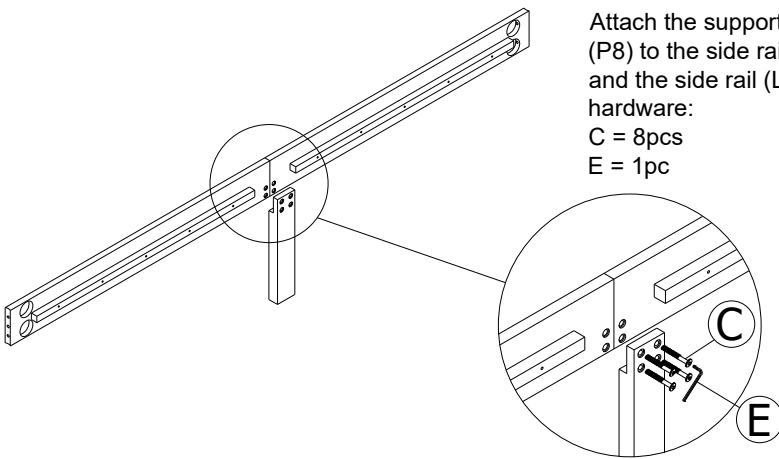
2.



Attach the footboard post (P5) to the panel (P4) using hardware:

- D = 4pcs
- E = 1pc
- F = 2pcs
- I = 4pcs

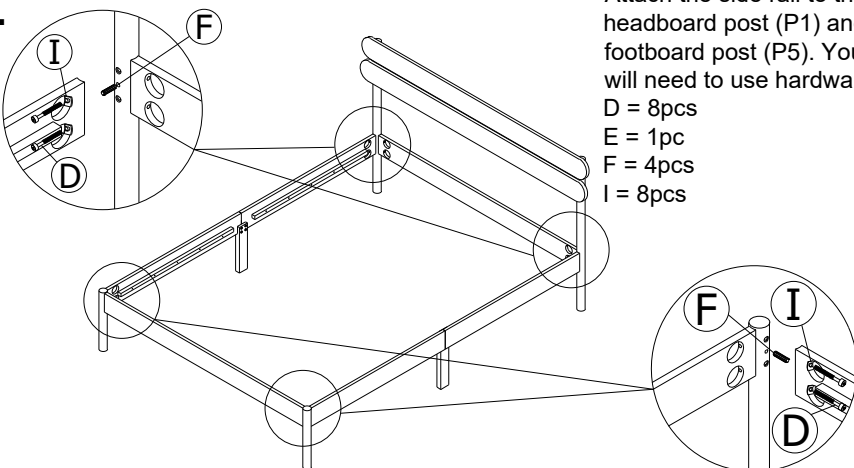
3.



Attach the support leg side (P8) to the side rail (R) (P6) and the side rail (L) (P7) using hardware:

- C = 8pcs
- E = 1pc

4.



Attach the side rail to the headboard post (P1) and footboard post (P5). You will need to use hardware:

- D = 8pcs
- E = 1pc
- F = 4pcs
- I = 8pcs

WARNING!!

- Remove hardware from box and sort by size.
- Please check to see that hardware and parts are present prior start of assembly.
- Please follow attached instruction in the same sequence numbered to ensure fast and easy assembly.
- Do not use this bed if any part is broken, torn or missing.
- The assembly of this product requires two people.
- Do not use any power tools as this may damage the frame and will invalidate any claim.

PART LIST

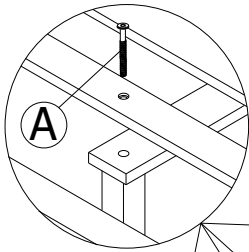
| | | | | |
|-----|--|----------------------|---|--------------------|
| P1 | | Headboard Post | = | L - 1pc R - 1pc |
| P2 | | Headboard Upper Rail | = | 1pc |
| P3 | | Headboard Lower Rail | = | 1pc |
| P4 | | Panel | = | 2pcs |
| P5 | | Footboard Post | = | L - 1pc R - 1pc |
| P6 | | Side Rail (R) | = | R - 2pcs |
| P7 | | Side Rail (L) | = | L - 2pcs |
| P8 | | Support Leg Side | = | 2pcs |
| P9 | | Bed Slats | = | 14pcs |
| P10 | | Center Support Rail | = | 2pcs |
| P11 | | Support Leg | = | 4pcs |

HARDWARE LIST

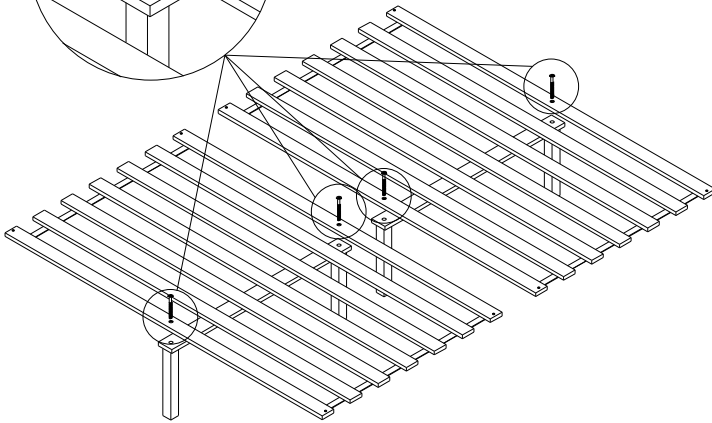
| | | | | |
|---|--|------------------------|---|-------|
| A | | M6 X 50MM JCBC | = | 8pcs |
| B | | M6 X 40MM JCBC | = | 4pcs |
| C | | M6 X 30MM JCBC | = | 8pcs |
| D | | M6 X 60MM JCCA | = | 16pcs |
| E | | ALLEN KEY M4 WITH BALL | = | 1pc |
| F | | Ø8 X 30 MM WOOD DOWEL | = | 8pcs |
| G | | M4 X 25MM SCREW | = | 8pcs |
| H | | ADJUSTER | = | 6pcs |
| I | | U WASHER | = | 16pcs |



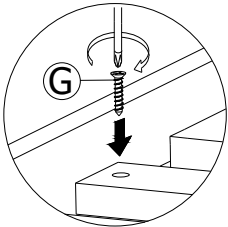
5.



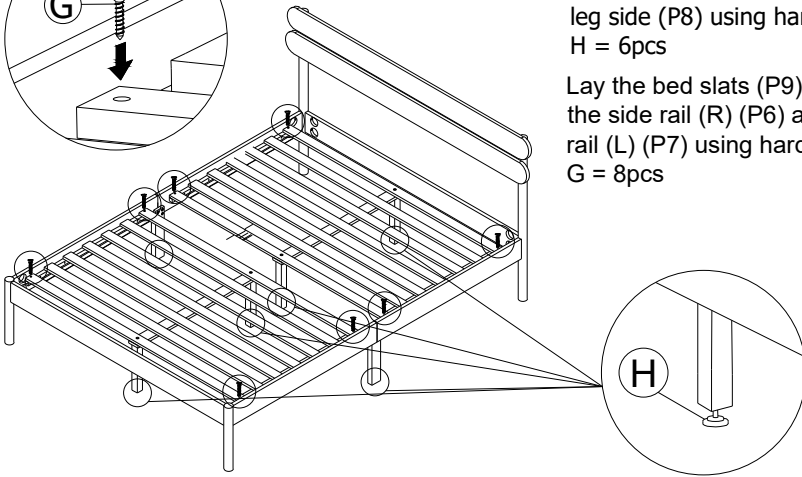
Attach the support leg (P11) to the center support rail (P10) and bed slats (P9) using hardware:
A = 4pcs
E = 1pc



6.

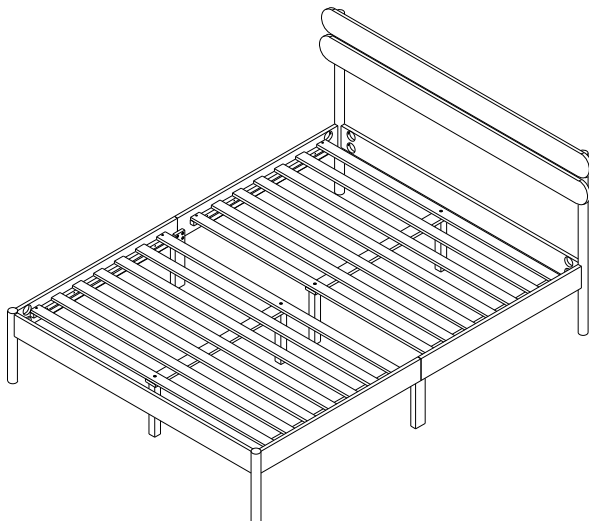


Fix the adjuster (H) to the support leg (P11) and support leg side (P8) using hardware:
H = 6pcs
Lay the bed slats (P9) between the side rail (R) (P6) and side rail (L) (P7) using hardware:
G = 8pcs



****Apply pressure with your knee to the side rail whilst attaching the slats to ensure that the slats are flush against the inside of side rail****

7. FULLY SET UP



WARNING!!

- Remove hardware from box and sort by size.
- Please check to see that hardware and parts are present prior start of assembly.
- Please follow attached instruction in the same sequence numbered to ensure fast and easy assembly.
- Do not use this bed if any part is broken, torn or missing.
- The assembly of this product requires two people.
- Do not use any power tools as this may damage the frame and will invalidate any claim.

PART LIST

| | | | | |
|-----|--|----------------------|---|--------------------|
| P1 | | Headboard Post | = | L - 1pc R - 1pc |
| P2 | | Headboard Upper Rail | = | 1pc |
| P3 | | Headboard Lower Rail | = | 1pc |
| P4 | | Panel | = | 2pcs |
| P5 | | Footboard Post | = | L - 1pc R - 1pc |
| P6 | | Side Rail (R) | = | R - 2pcs |
| P7 | | Side Rail (L) | = | L - 2pcs |
| P8 | | Support Leg Side | = | 2pcs |
| P9 | | Bed Slats | = | 14pcs |
| P10 | | Center Support Rail | = | 2pcs |
| P11 | | Support Leg | = | 4pcs |

HARDWARE LIST

| | | | | |
|---|--|------------------------|---|-------|
| A | | M6 X 50MM JCBC | = | 8pcs |
| B | | M6 X 40MM JCBC | = | 4pcs |
| C | | M6 X 30MM JCBC | = | 8pcs |
| D | | M6 X 60MM JCCA | = | 16pcs |
| E | | ALLEN KEY M4 WITH BALL | = | 1pc |
| F | | Ø8 X 30 MM WOOD DOWEL | = | 8pcs |
| G | | M4 X 25MM SCREW | = | 8pcs |
| H | | ADJUSTER | = | 6pcs |
| I | | U WASHER | = | 16pcs |

