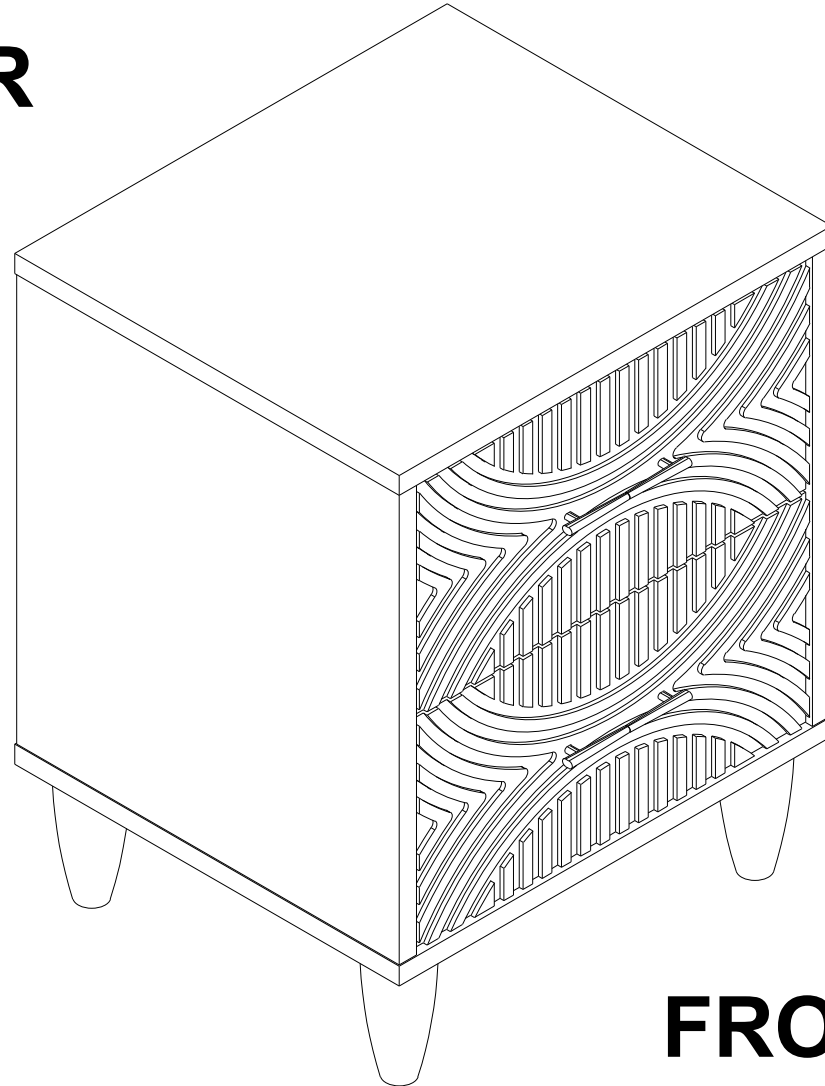


ASSEMBLY INSTRUCTION

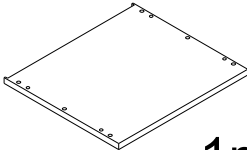
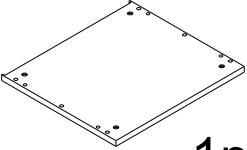
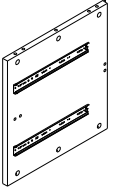
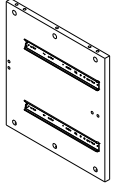
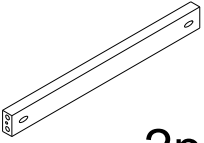
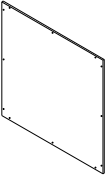

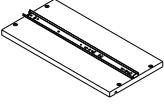
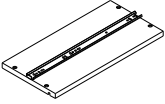
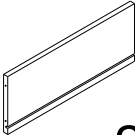
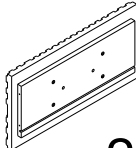
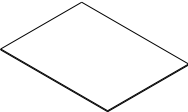
SW 8000-63NS2D

REAR

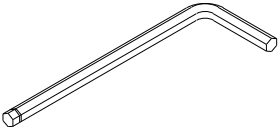


FRONT

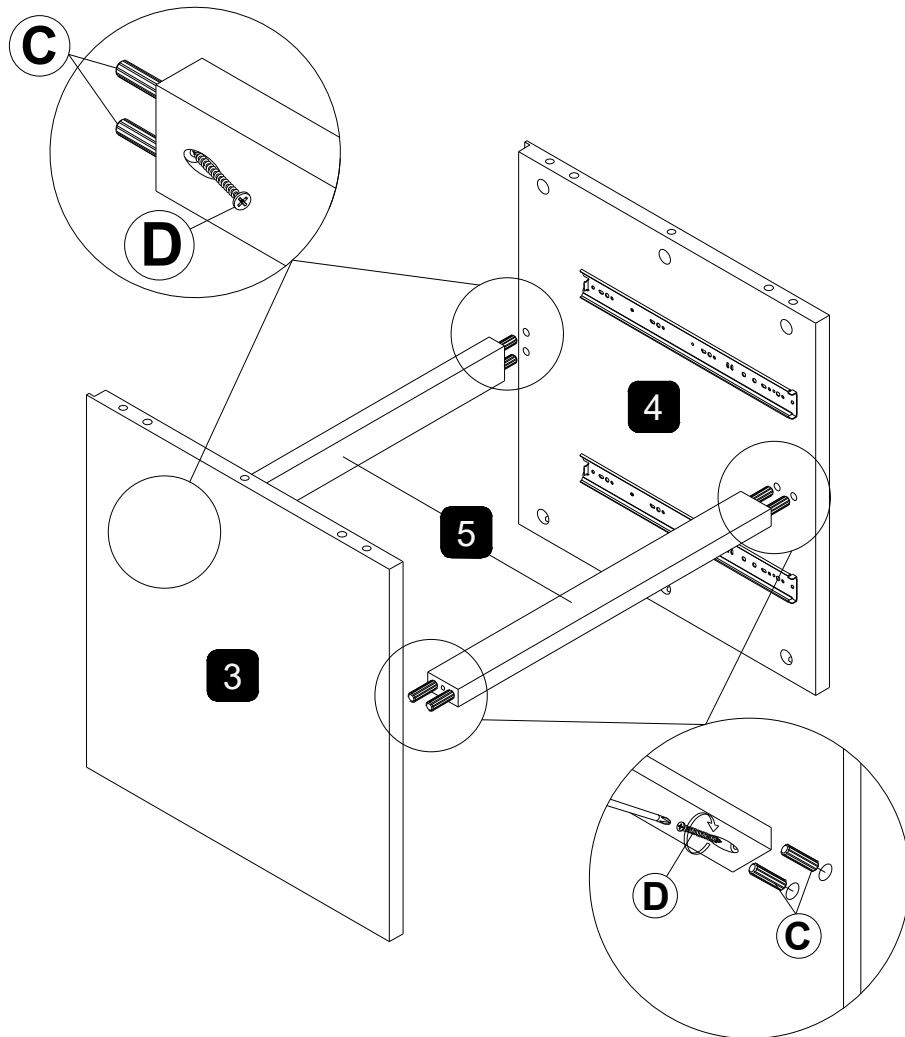
PART LIST

<p>1 Top Panel</p>  <p>1pc</p>	<p>2 Bottom Panel</p>  <p>1pc</p>	<p>3 Side Panel (left)</p>  <p>1pc</p>	<p>4 Side Panel (right)</p>  <p>1pc</p>	<p>5 Support Rail</p>  <p>2pcs</p>	<p>6 Back Panel</p>  <p>1pc</p>
<p>7 Post</p>  <p>4pcs</p>	<p>8 Drawer Side Panel (left)</p>  <p>2pcs</p>	<p>9 Drawer Side Panel (right)</p>  <p>2pcs</p>	<p>10 Drawer Back Panel</p>  <p>2pcs</p>	<p>11 Drawer Front Panel</p>  <p>2pcs</p>	<p>12 Drawer Base Panel</p>  <p>2pcs</p>

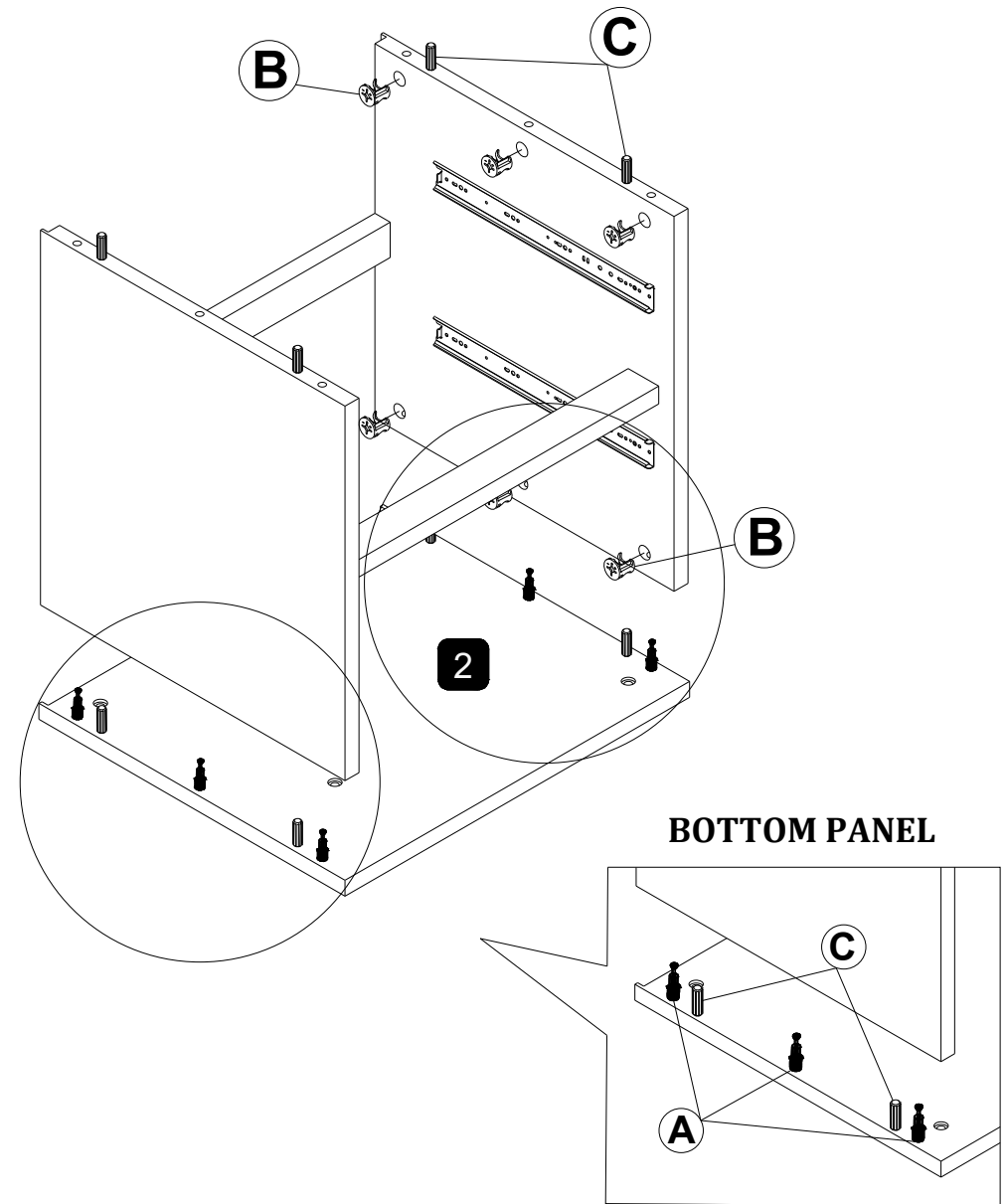
HARDWARE LIST

<p>A MINI FIX SPREADING BOLT 24MM</p>  <p>12pcs</p>	<p>B MINIFIX HOUSING Ø15*12MM</p>  <p>12pcs</p>	<p>C WOOD DOWEL M8*30MM</p>  <p>16pcs</p>	<p>D CSK SCREW M4*30MM</p>  <p>4pcs</p>	<p>E JCBC M6X40MM</p>  <p>4pcs</p>	<p>F PAN HEAD M3.5*16MM</p>  <p>12pcs</p>
<p>G CSK SCREW M4*25MM</p>  <p>16pcs</p>	<p>H HANDLE 135MM</p>  <p>2sets</p>	<p>I M4 ALLEN KEY</p>  <p>1pc</p>			

STEP 1



STEP 2



BOTTOM PANEL



C X 8pcs



D X 4pcs



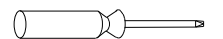
A X 6pcs



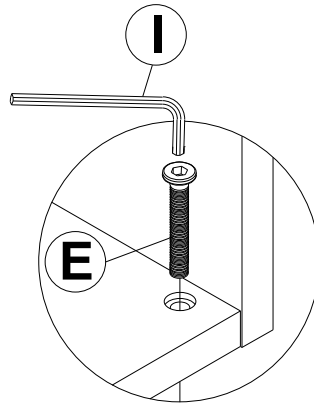
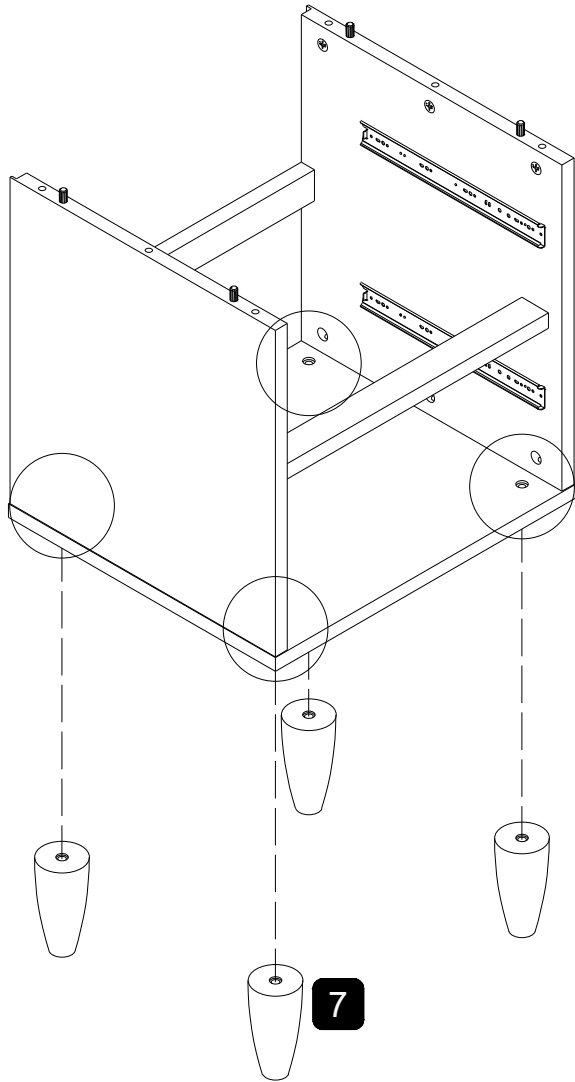
B X 12pcs



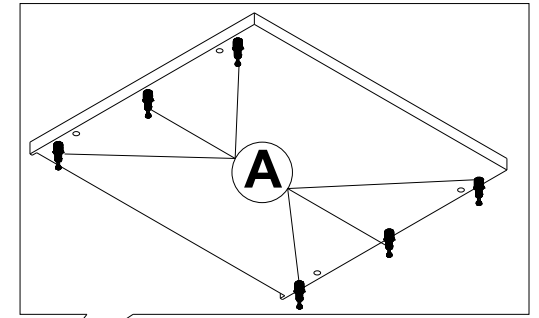
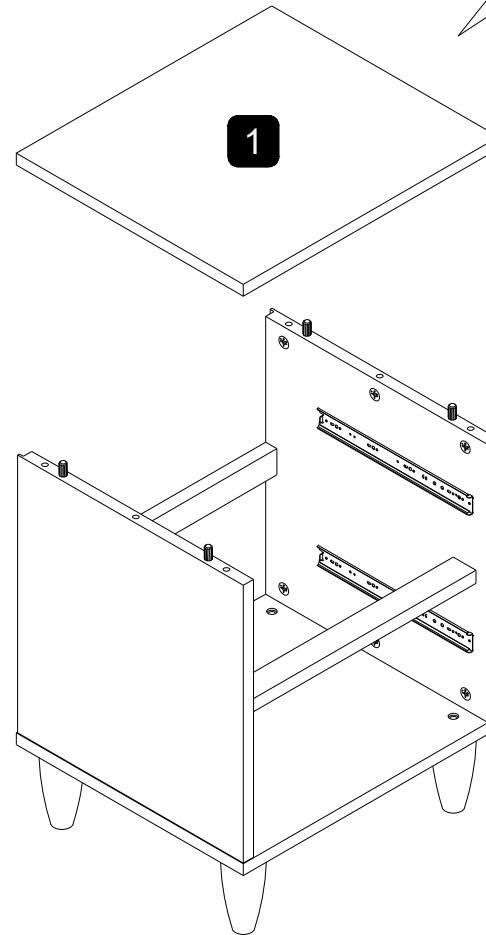
C X 8pcs



STEP 3



STEP 4



TOP PANEL



E X 4pcs



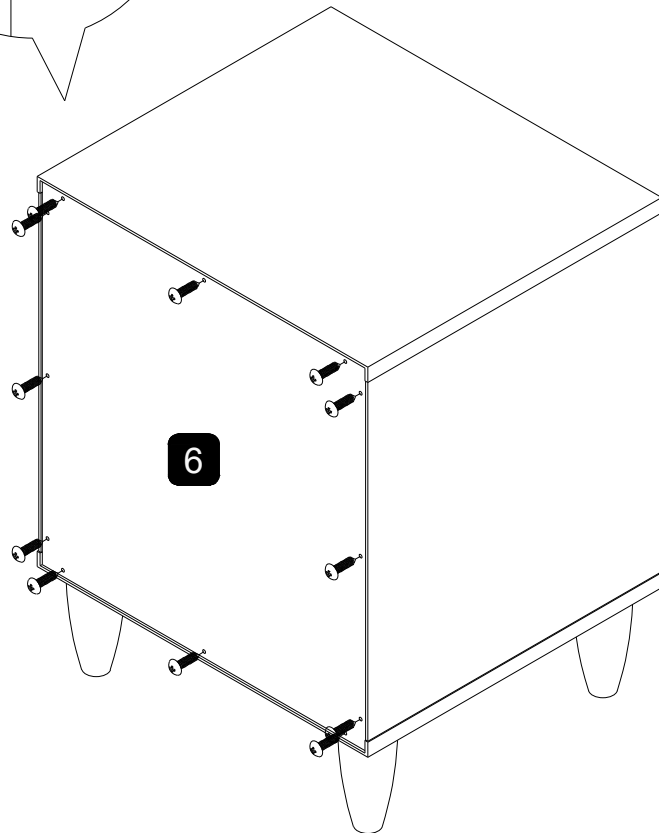
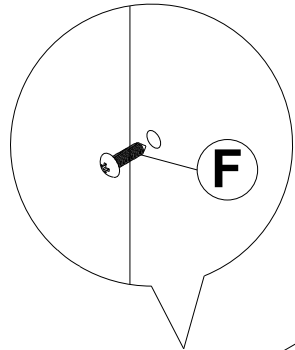
I X 1pc

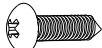


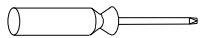
A X 6pcs



STEP 5

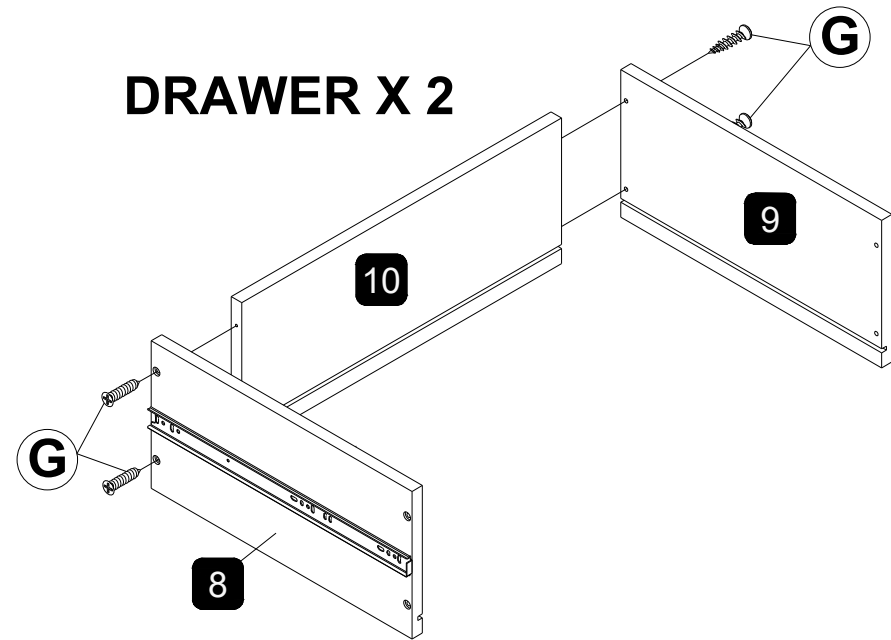



F X 12pcs



STEP 6

DRAWER X 2

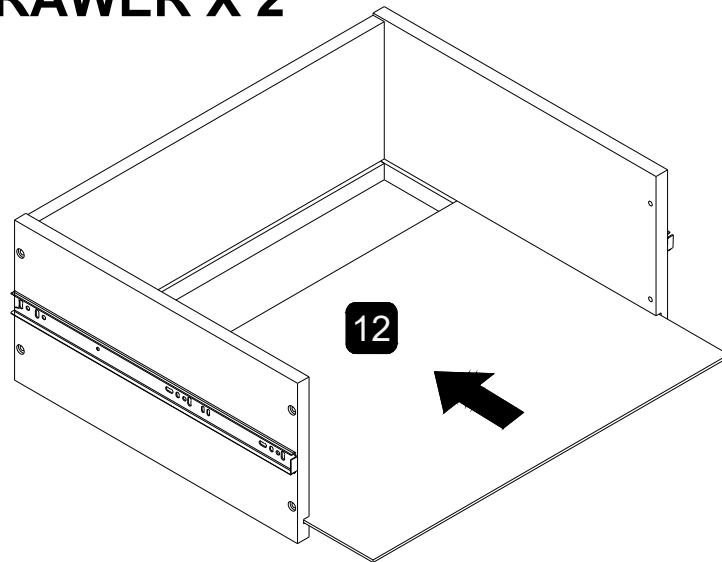



G X 8pcs



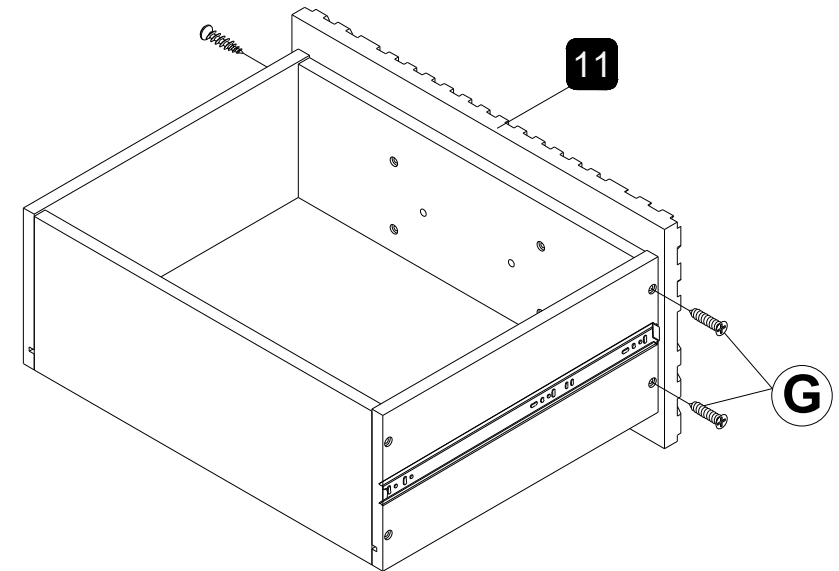
STEP 7

DRAWER X 2

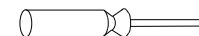


STEP 8

DRAWER X 2

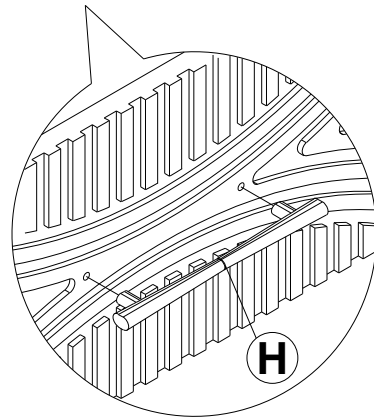
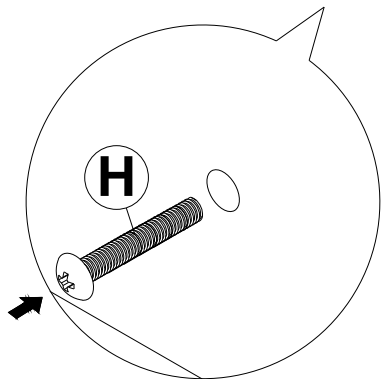
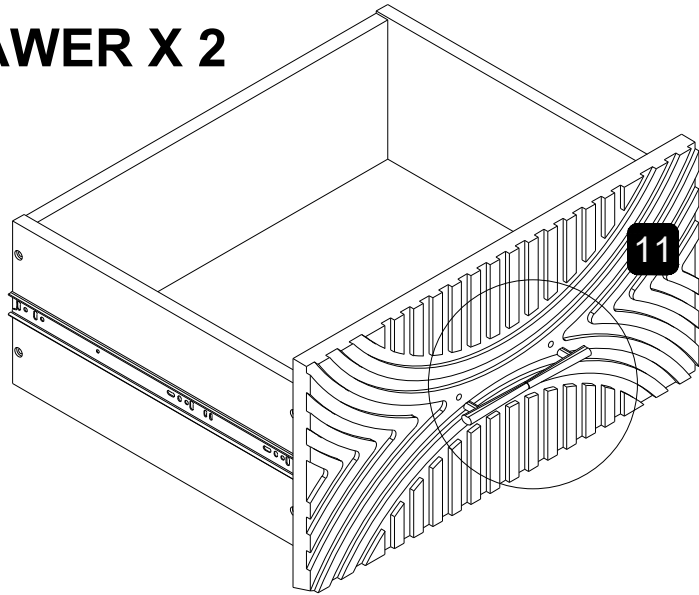


G X 8pcs

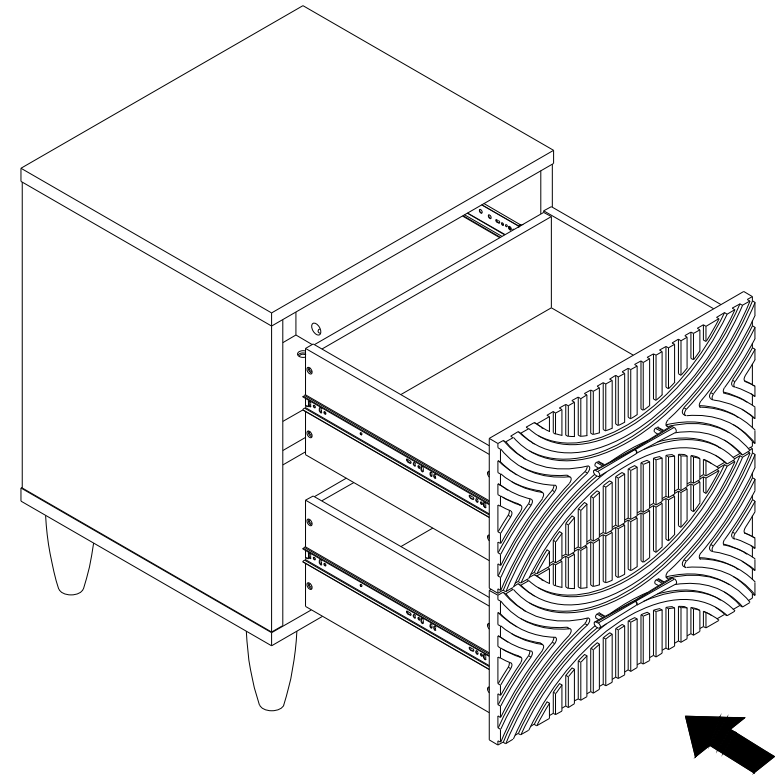



STEP 9

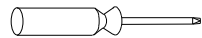
DRAWER X 2



STEP 10




H X 2set



ASSEMBLY COMPLETE

