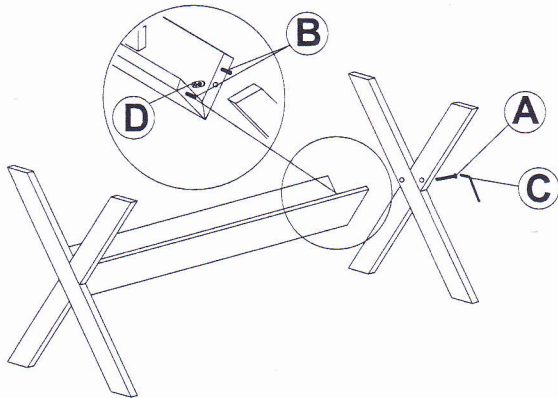


SW 3333 - CT

(This assembly method also apply to side table)

1.



Attach the table leg (P2) to the panel (P3).

- A = 4 pcs
- B = 4 pcs
- C = 1 pcs
- D = 4 pcs

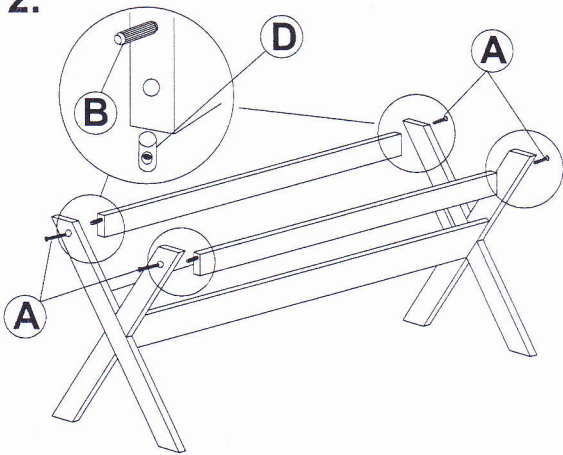
WARNING!!

- Remove hardware from box and sort by size.
- Please check to see that hardware and parts are present prior start of assembly.
- Please follow attached instruction in the same sequence numbered to ensure fast and easy assembly.
- Do not use this table if any part is broken, torn or missing.
- The assembly of this product requires two people.
- Do not use any power tools as this may damage the frame and will invalidate any claim.
- Please do not tighten the unit until fully set up for the easy of parts installation.

PART LIST

P1		Table Top = 1pcs
P2		Table Leg = 2pcs
P3		Panel = 2pcs
P4		Rail (Upper) = 2pcs

2.

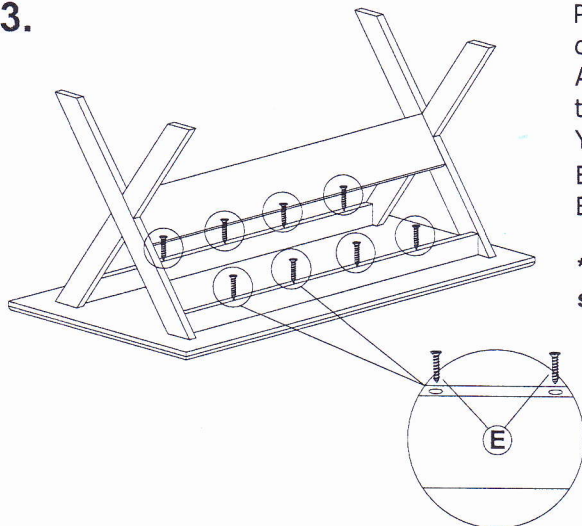


Attach the rail (upper) (P4) to the table leg (P2)

You will need to use hardware :

- A = 4 pcs
- B = 4 pcs
- C = 1 pcs
- D = 4 pcs

3.



Place the table top upside down on a non-abrasive surface.

Attach the rail (upper) (P4) to the table top (P1).

You will need to use hardware :

- E = 8pcs (CT)
- E = 6pcs (ST)

For side table only 3pcs screw each side apply only

HARDWARE LIST

A		M6 X 50MM JCBC = 8pcs
B		Ø8 X 35MM WOOD DOWEL = 8pcs
C		ALLEN KEY M4 = 1pcs
D		BARREL NUT = 8pcs
E		M4 X 25MM SCREW (CT) = 8pcs (ST) = 6pcs

4. FULLY SET UP

