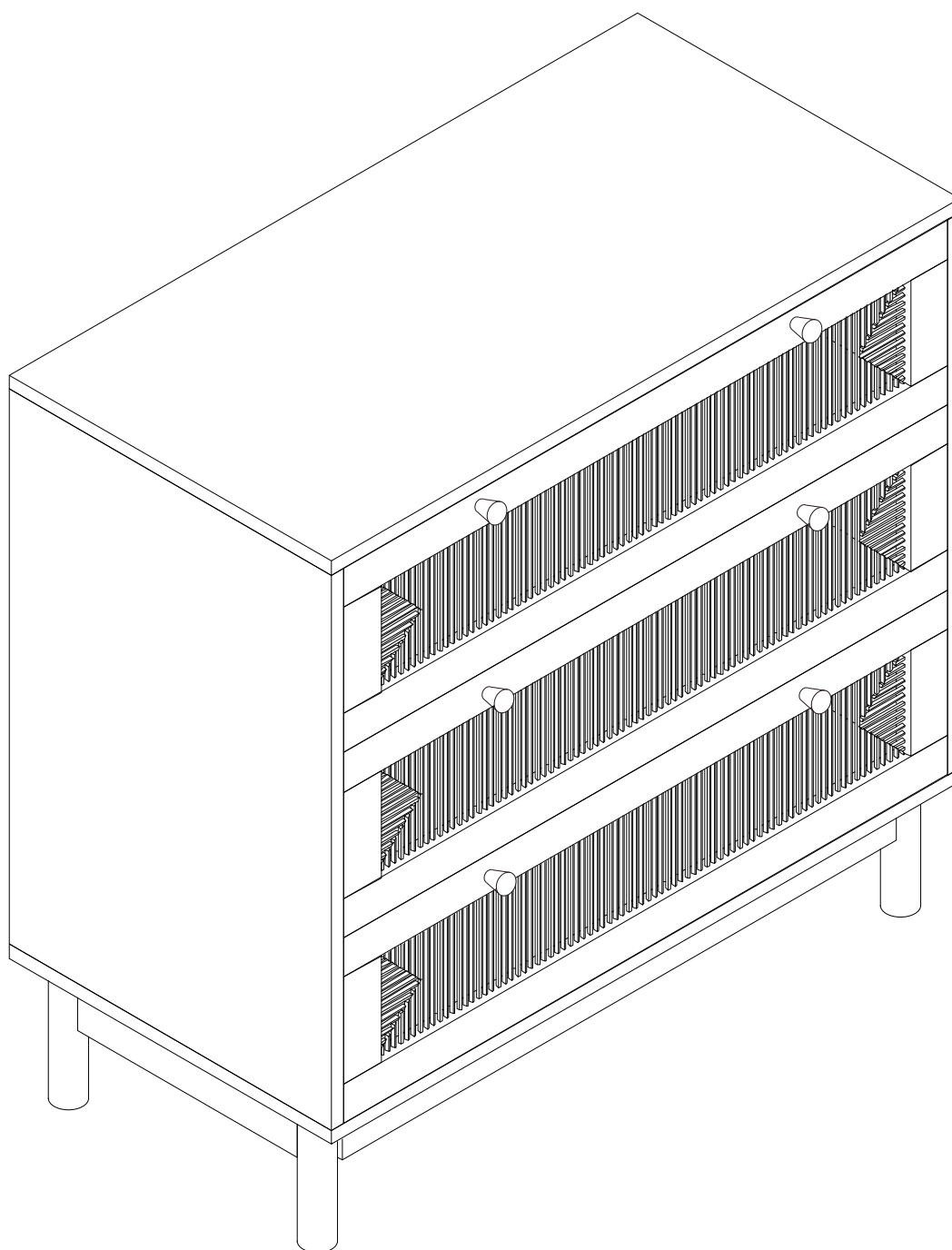
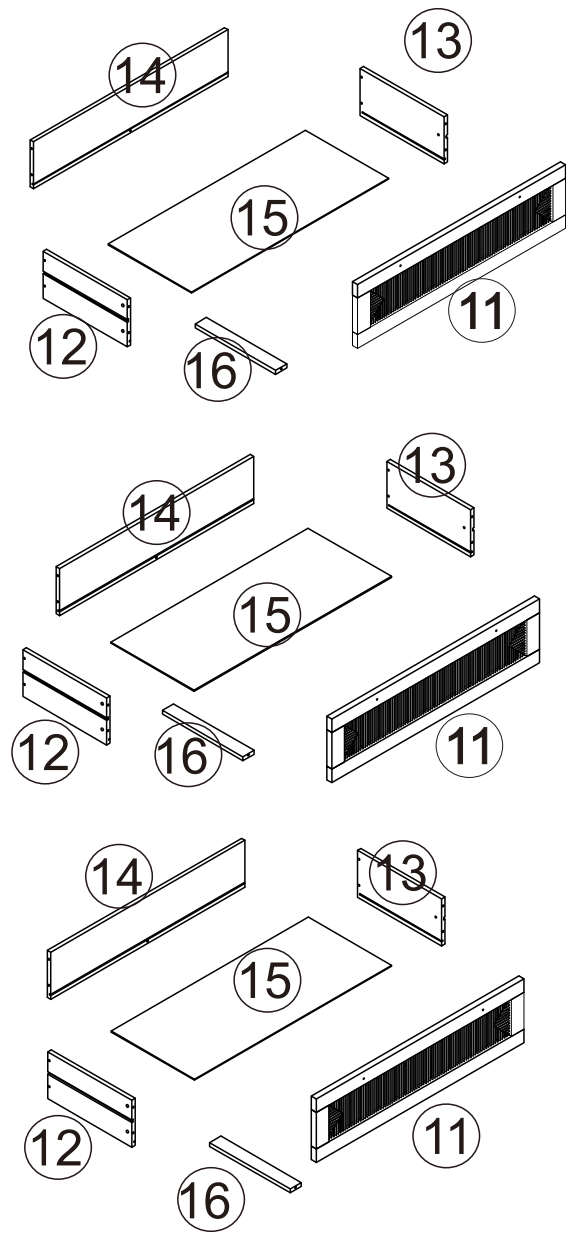
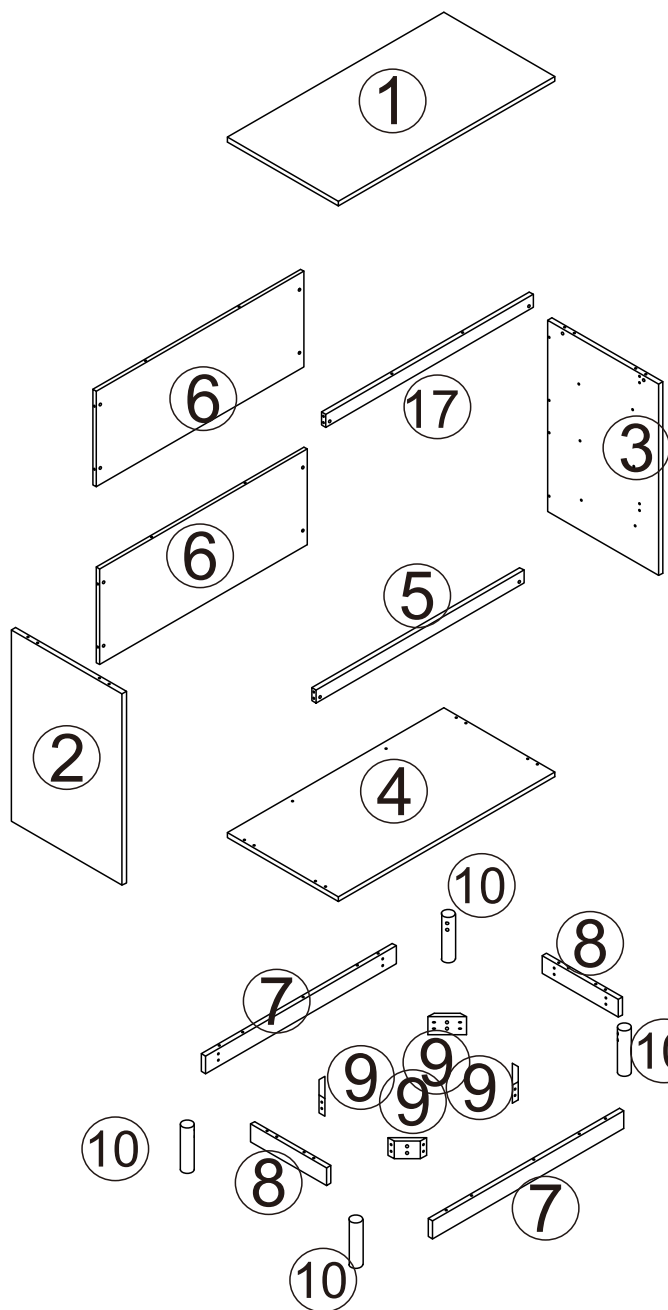


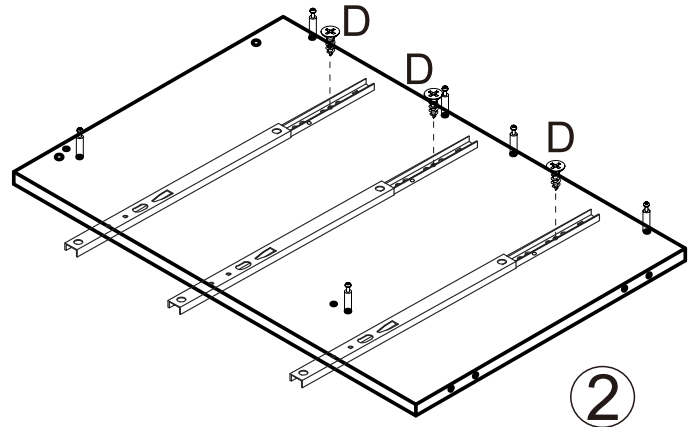
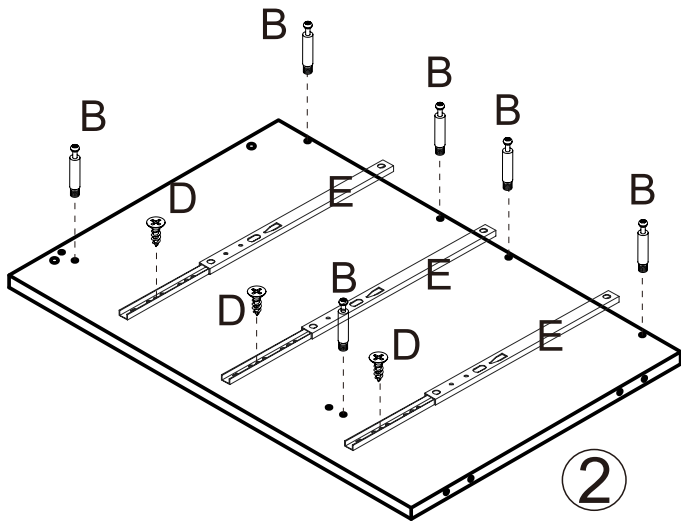
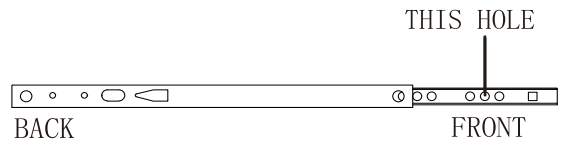
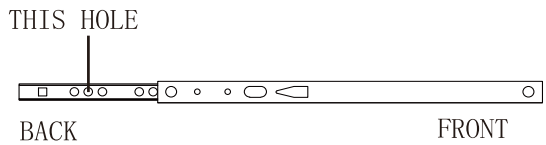
WI13333








Ax31	Bx31	Cx26	Dx12	Ex6	Fx7
Gx10	Hx16	Ix8	Jx10	Kx15	Lx6
Mx6	Nx6	Ox1	Px1	Qx1	Rx4

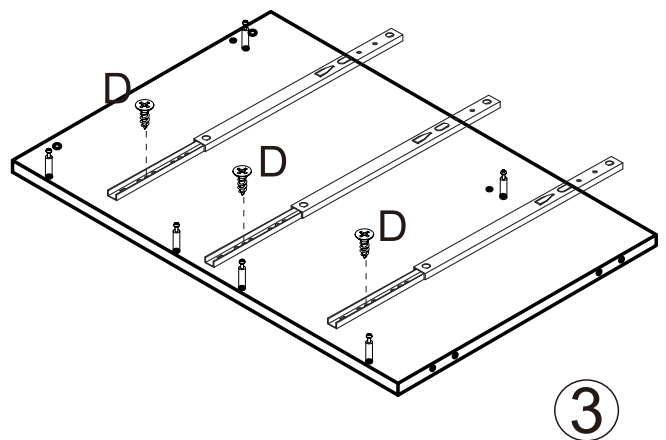
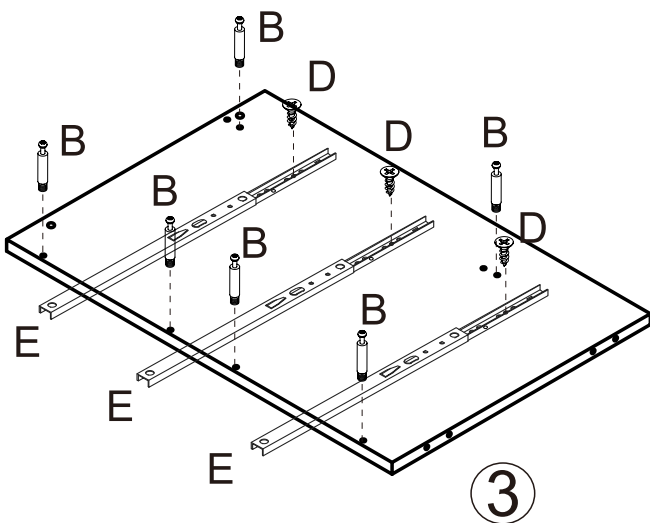
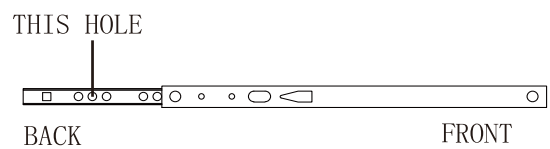
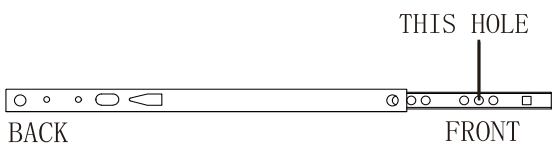
1






-  Bx6
-  Dx6
-  Ex3

Screw cam bolt B into board 2.
Stretch drawer track E and fix it to board 2 with screw D

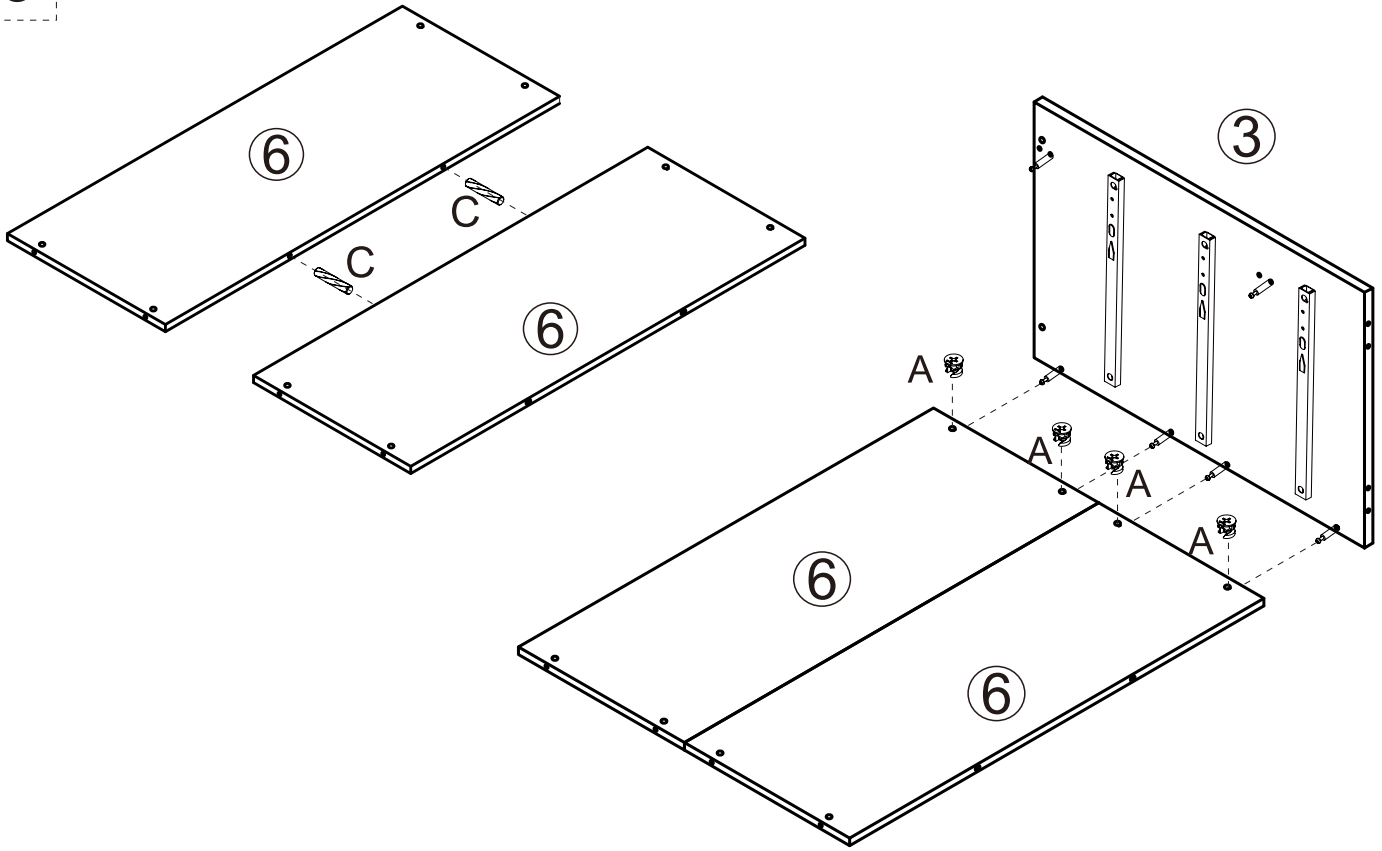
2



-  Bx6
-  Dx6
-  Ex3

Screw cam bolt B into board 3.
Stretch drawer track E and fix it to board 3 with screw D

3



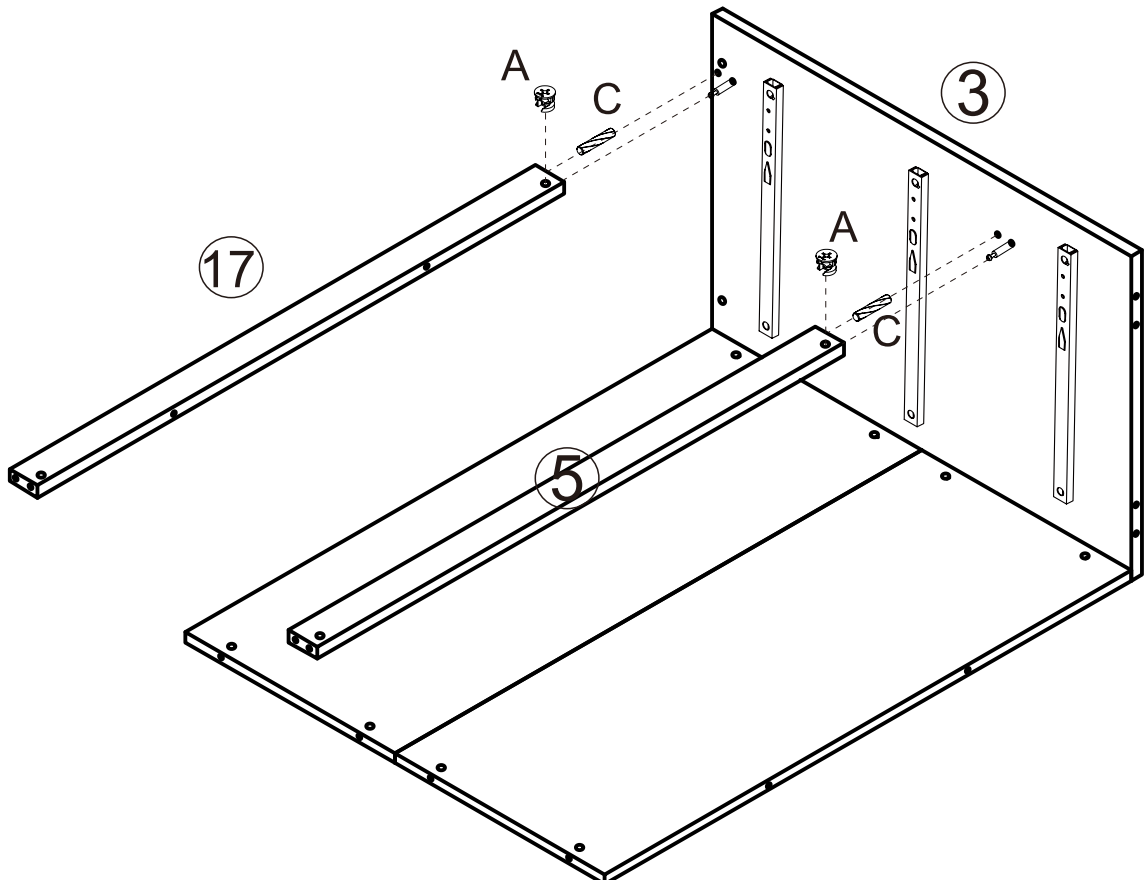
Ax4



Cx2

Connect 2 pieces of board 6 with dowel C.
Fasten board 3 to 6 with cam lock A

4



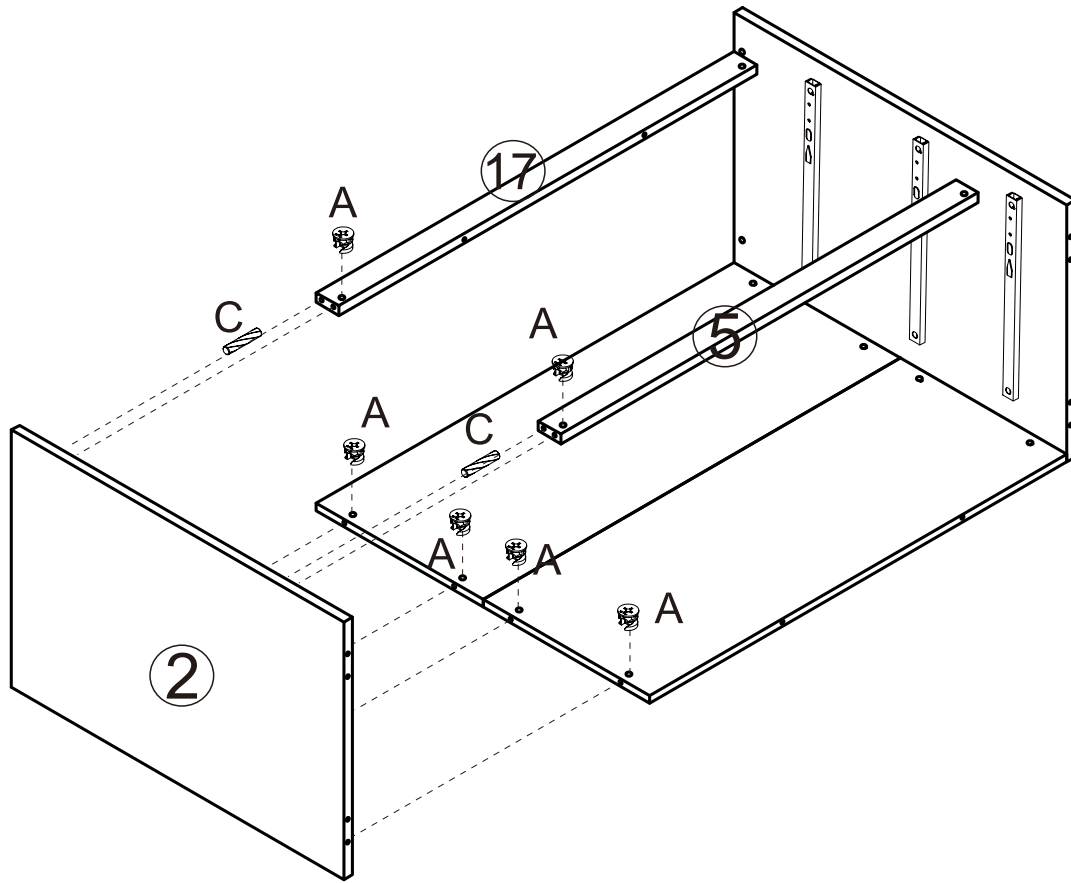
Ax2





Cx2

Fasten batten 5&17 to board 3 with dowel C and cam lock A

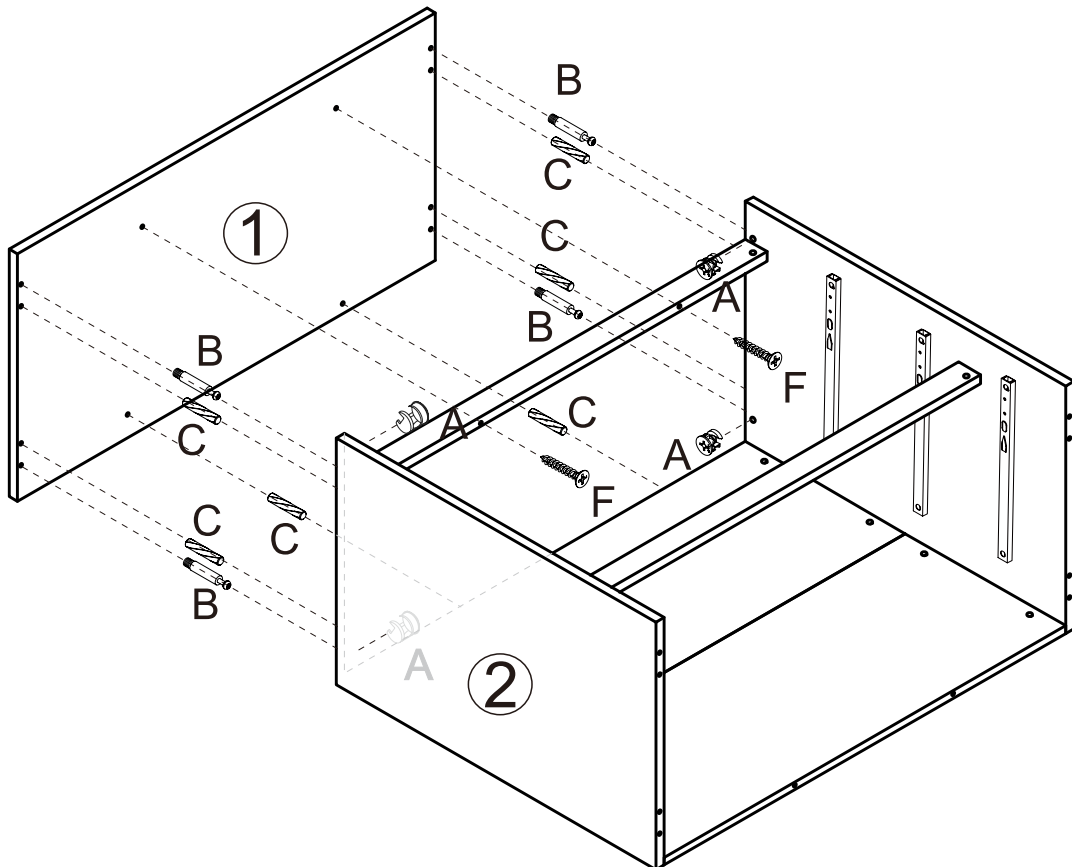
5







-  Ax6
-  Cx2

Fasten board 2 to 6&17&5 with dowel C and cam lock A

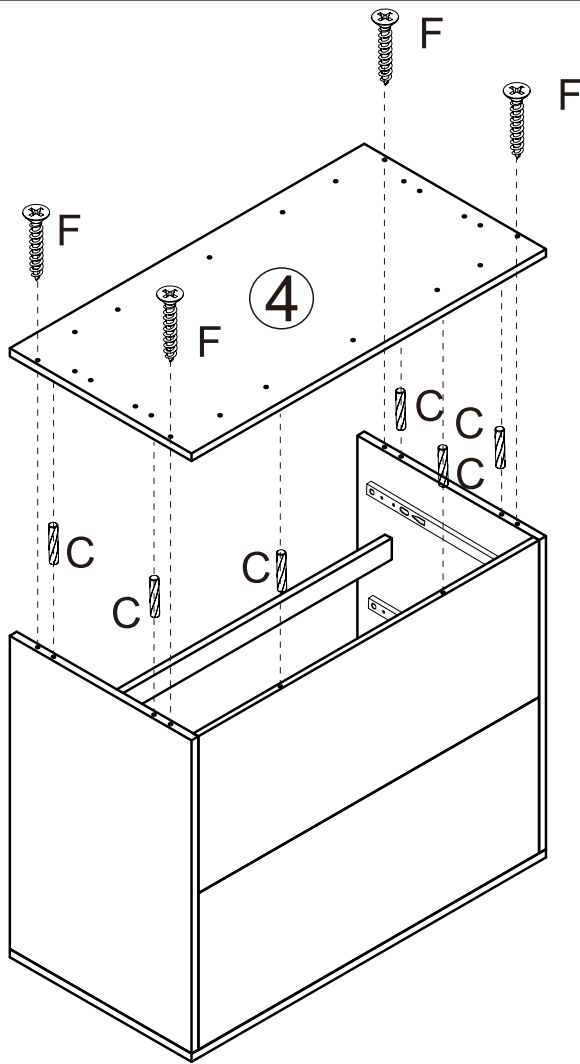
6



-  Ax4
-  Bx4
-  Cx6
-  Fx2

Screw cam bolt B into board 1
Fasten board 1 to 2&6&3&17 with dowel C and cam lock A

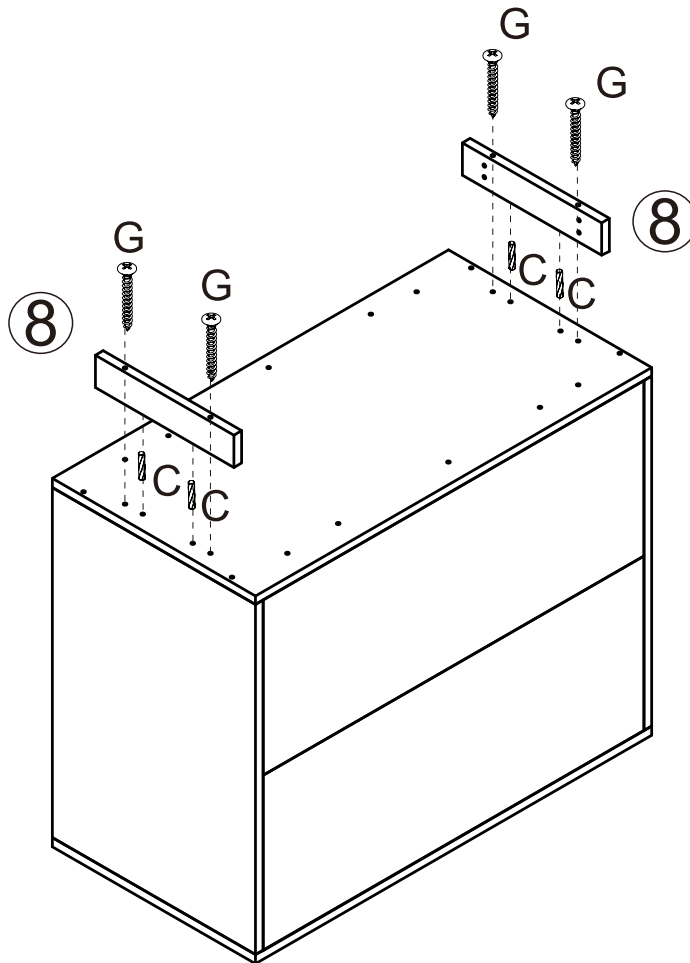
7



Fasten board 4 to 2&3&6 with dowel C and screw F

- Cx6
- Fx4

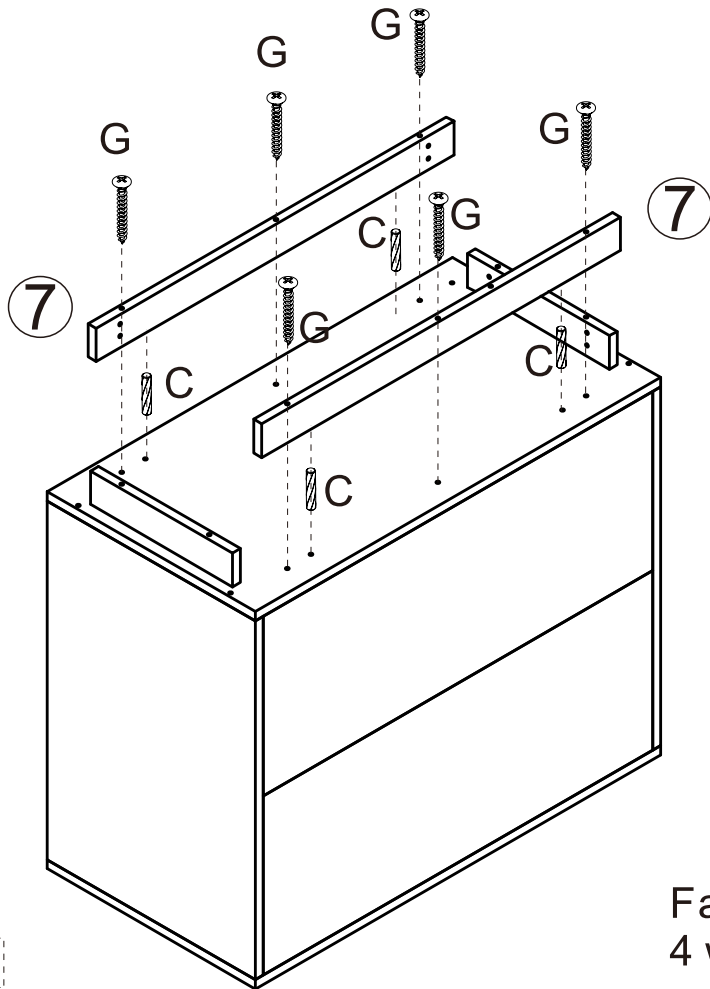
8



Fasten batten 8 to board 4 with dowel C and screw G

- Cx4
- Gx4

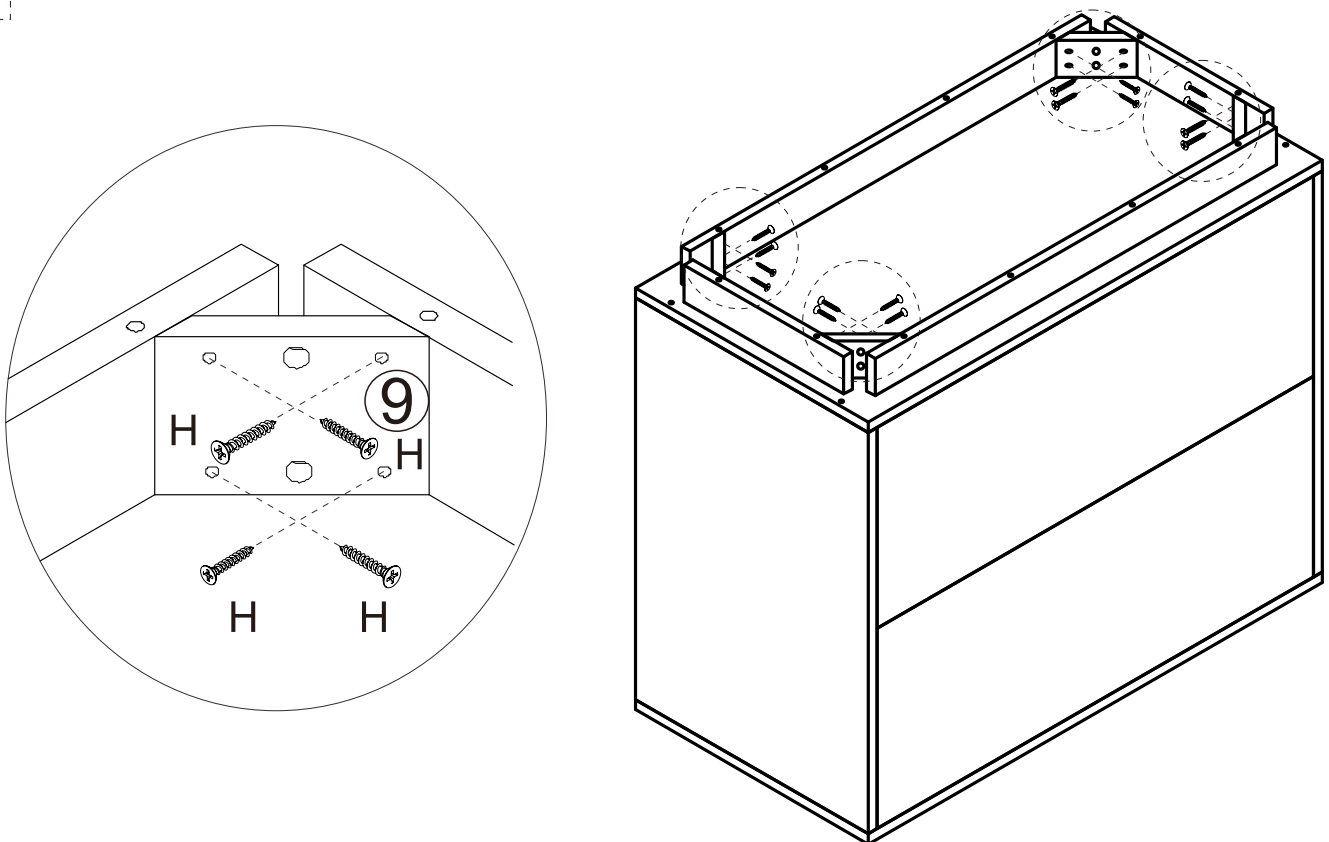
9



Fasten batten 7 to board 4 with dowel C and screw G

- Cx4
- Gx6

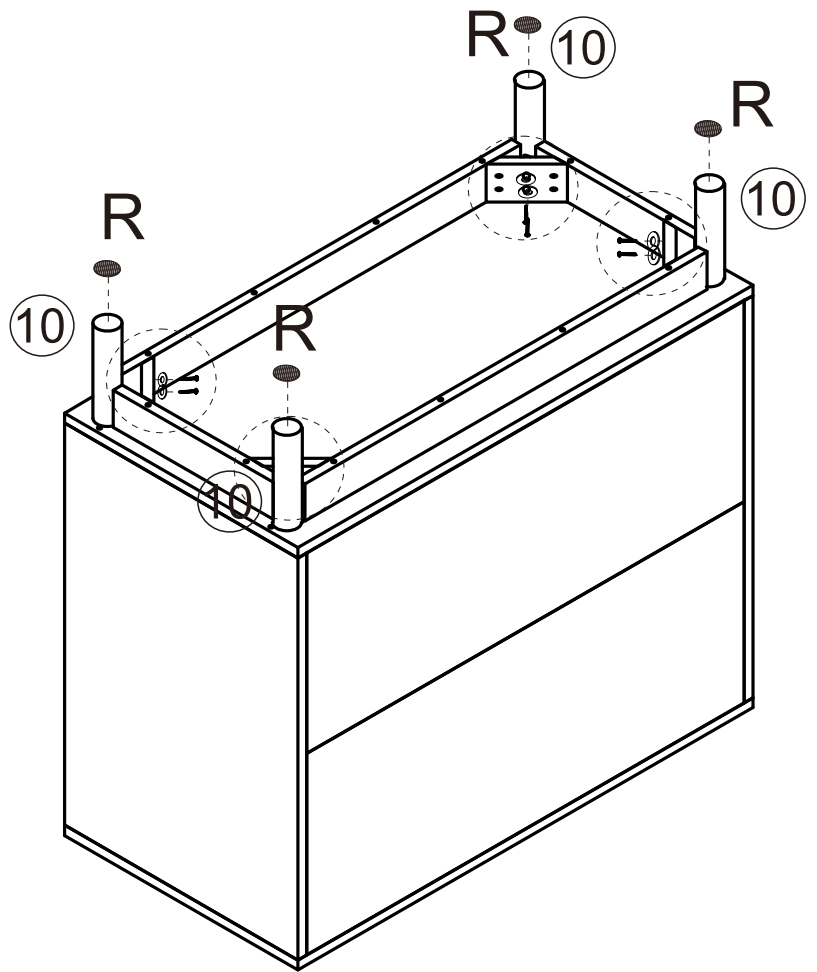
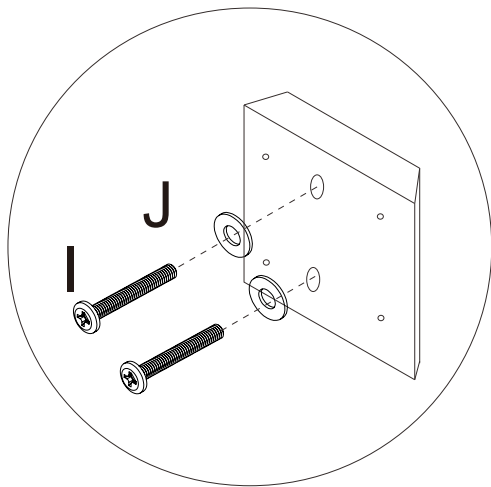
10






Connect board 9 to 7&8 with screw H

- Hx16

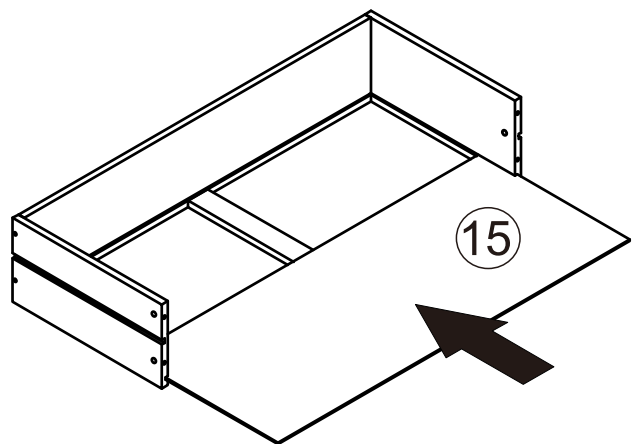
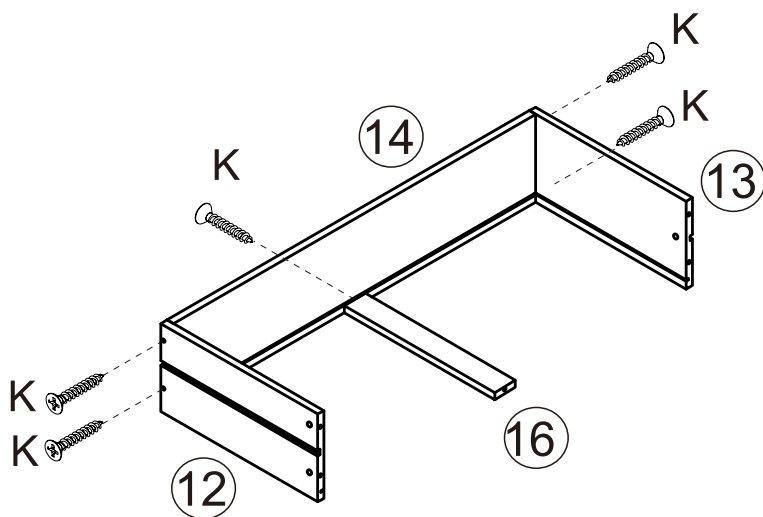
11



	Ix8
	Jx8
	Rx4

Fasten leg 10 to board 9 with washer J and screw I

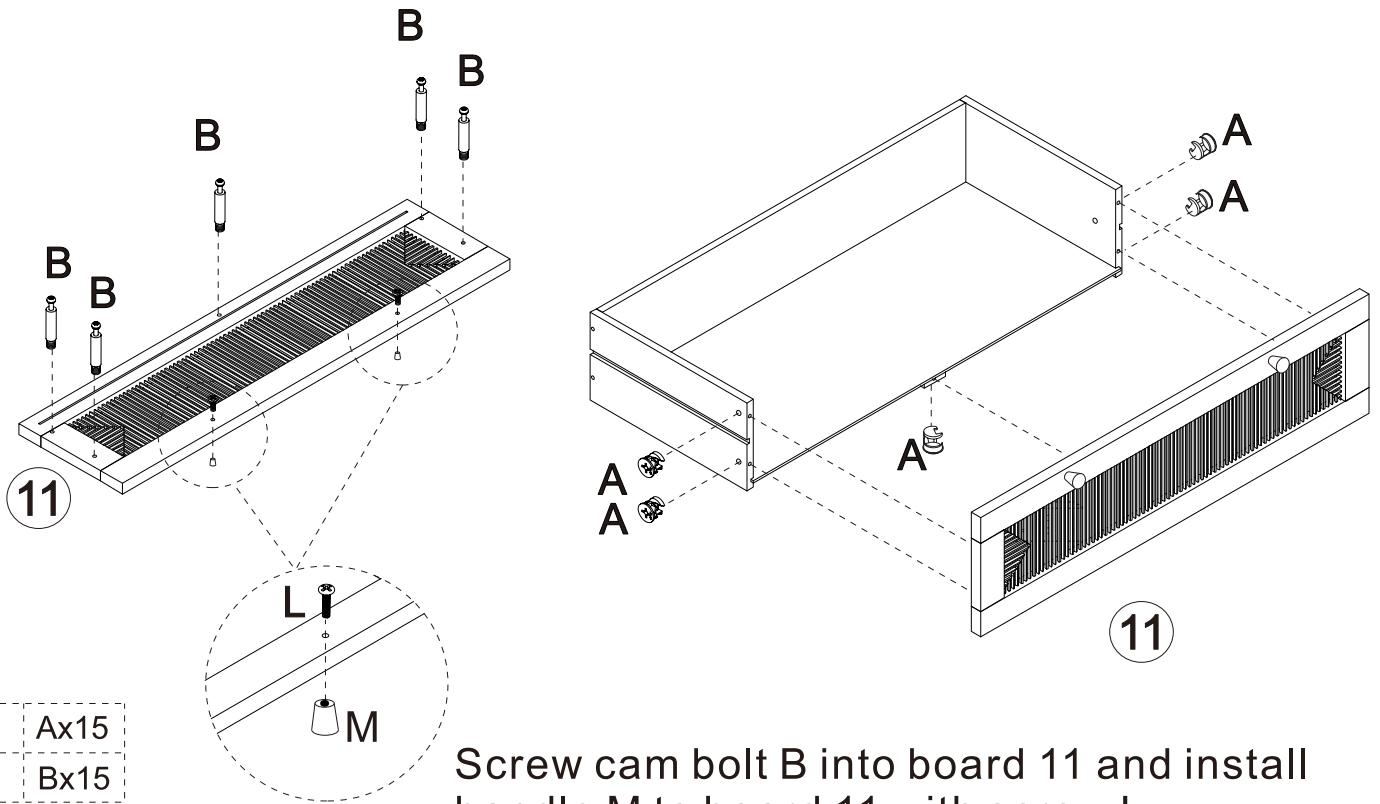
12 x3







Connect board 14 to 12&13&16 with screw K and slide board 15 into the grooves of 12&13&14

	Kx15
--	------

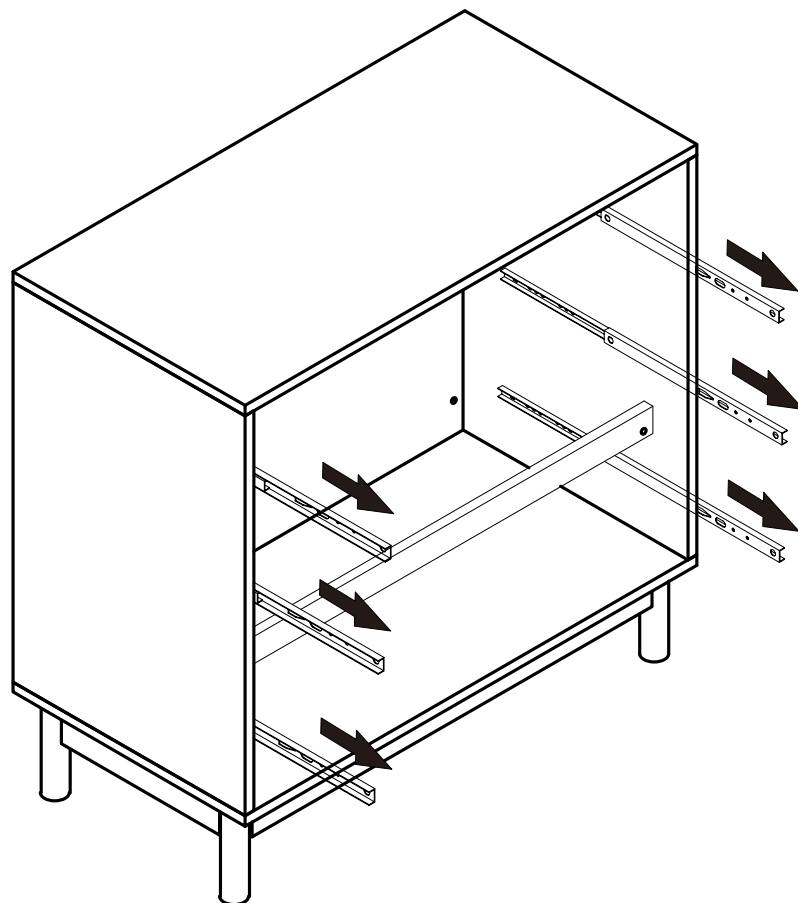
13 x3



Screw cam bolt B into board 11 and install handle M to board 11 with screw L.
Fasten board 11 to 12&13&16 with cam lock A

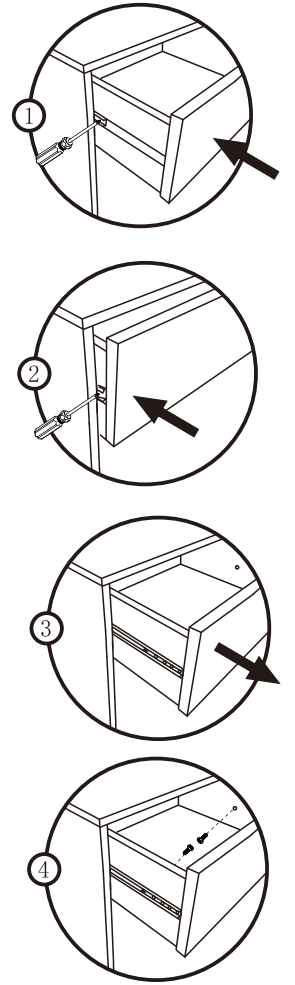
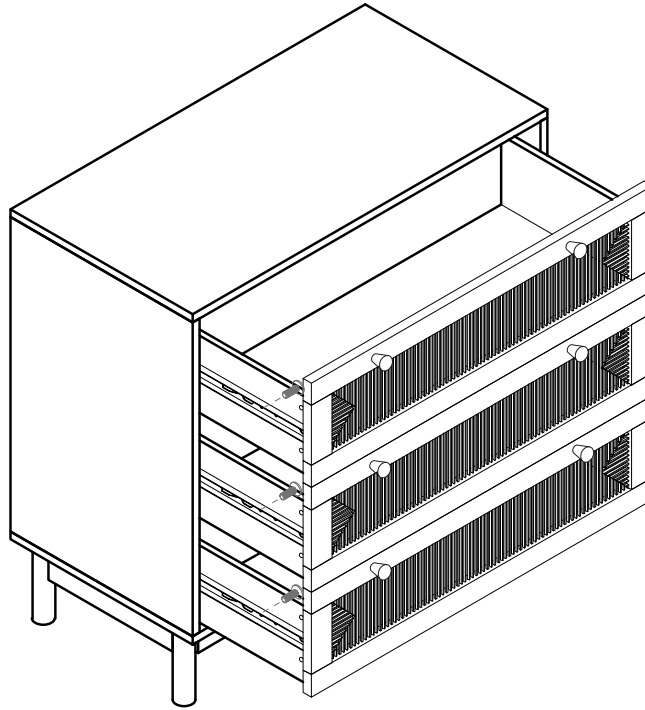
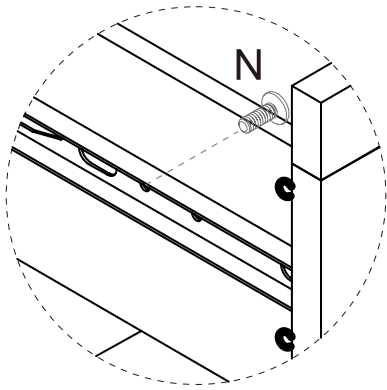
	Ax15
	Bx15
	Lx6
	Mx6

14



Stretch out drawer tracks

15

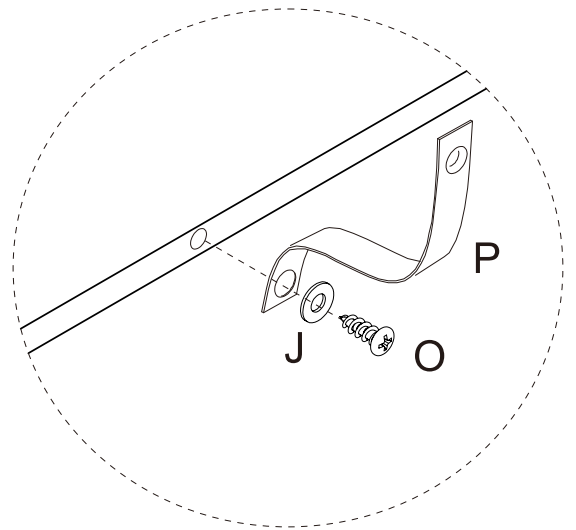
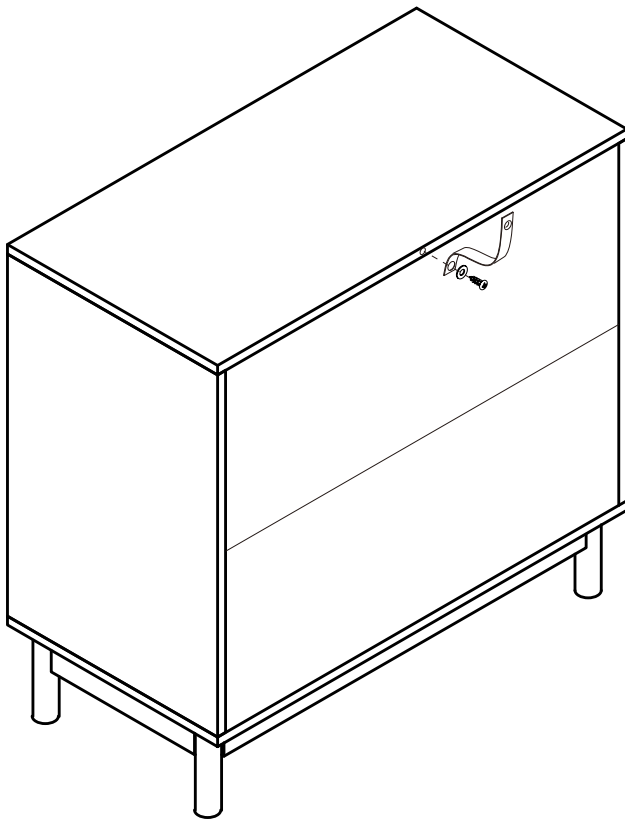


Fix drawer tracks to drawers with screw N



Nx6

16



Fix anti-topple kit P&J to board 1 with screw O



Jx1

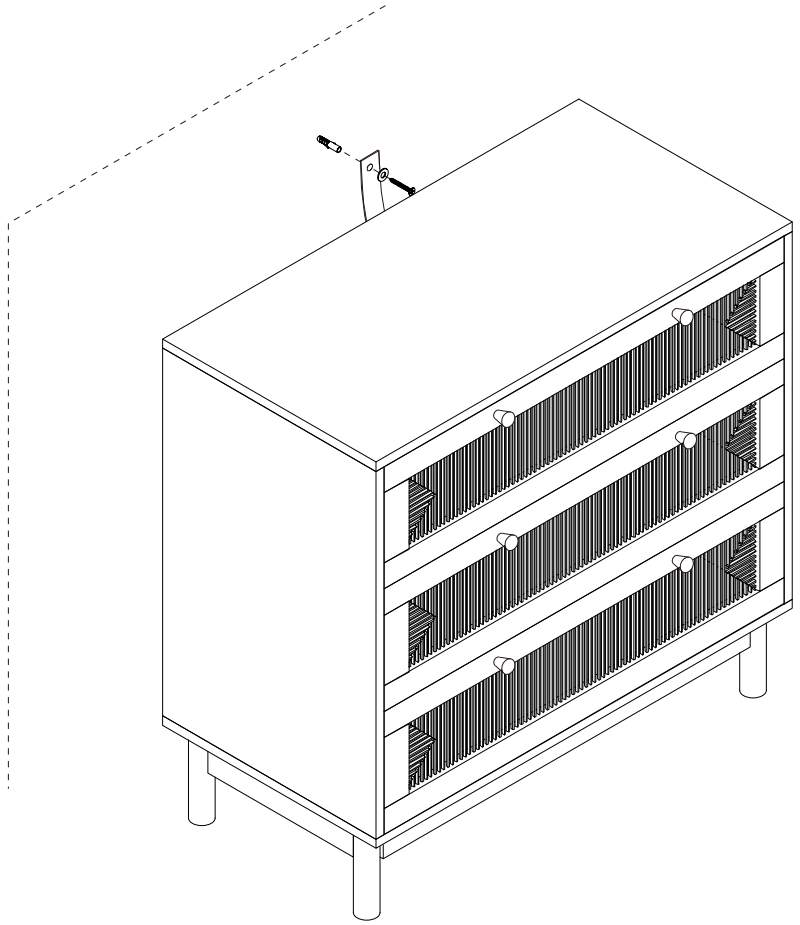
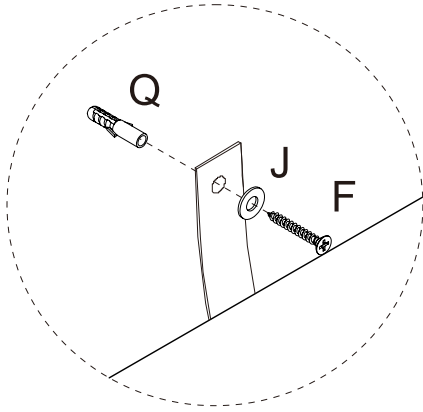





Ox1



Px1

17



	Fx1
	Jx1
	Qx1

Lock the cabinet to the wall with hardware Q&J&F