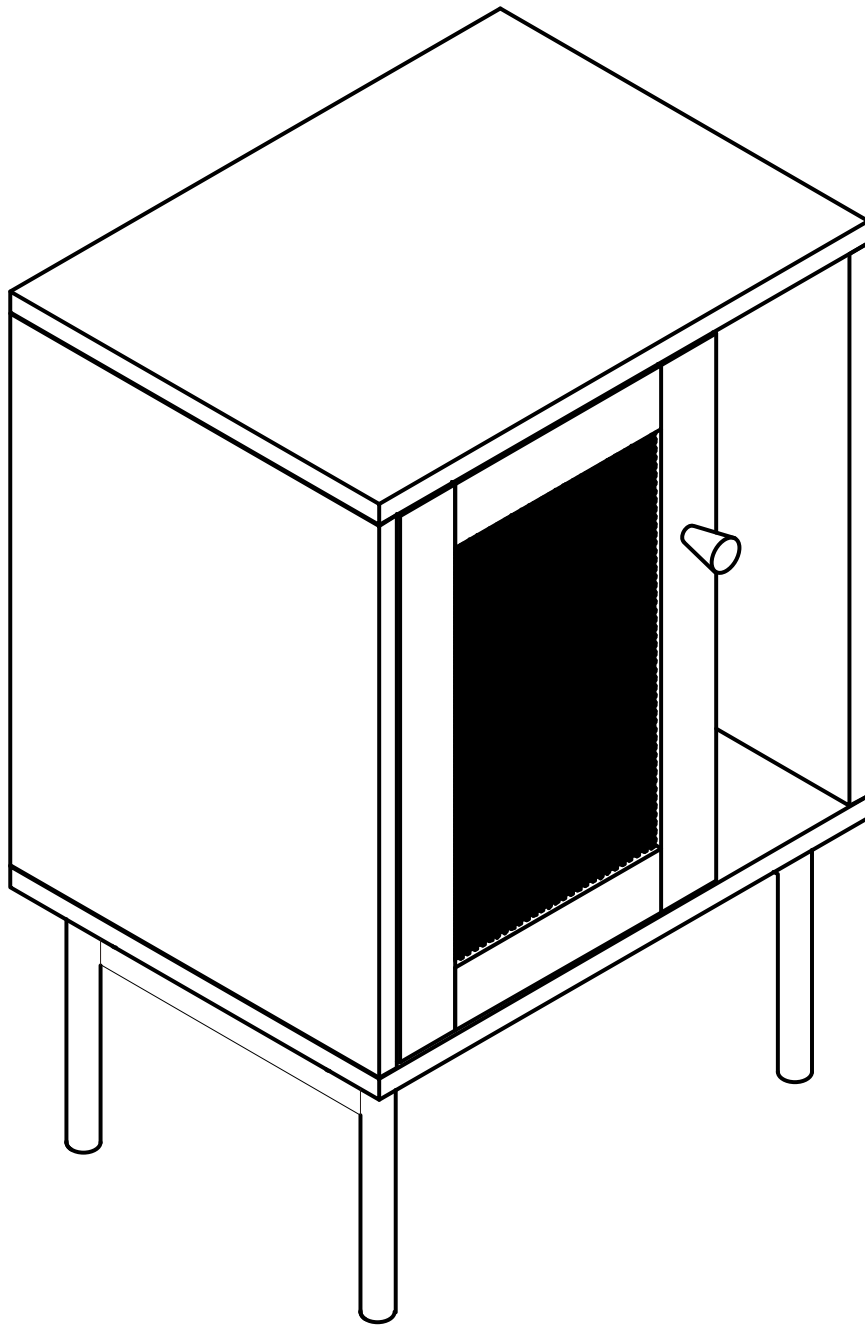
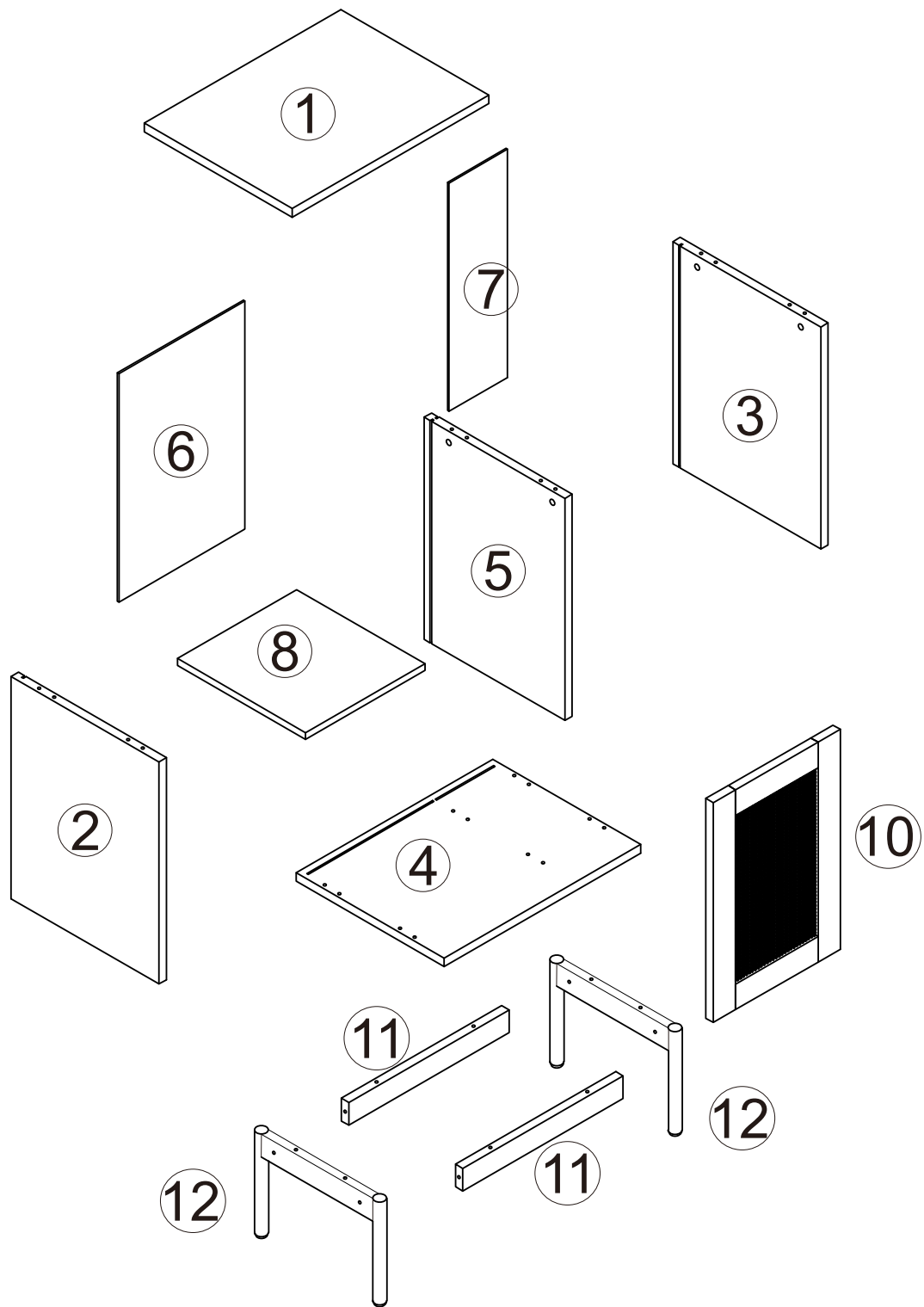

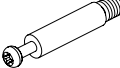

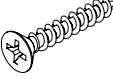
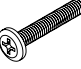

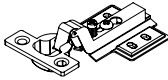

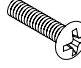
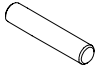
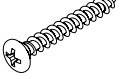


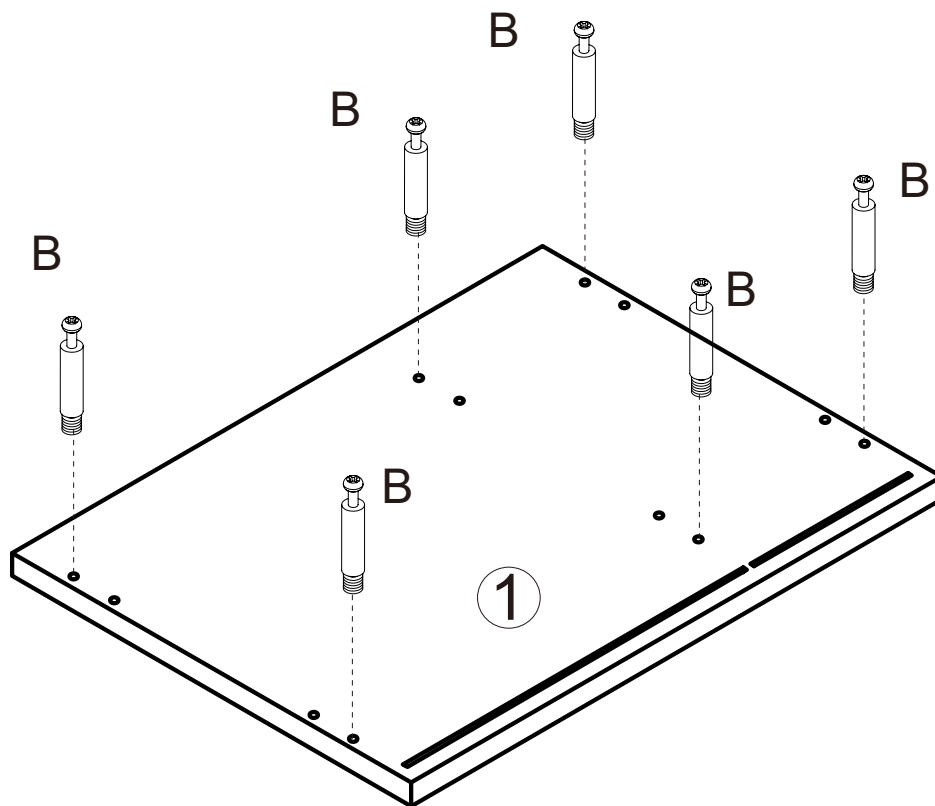
WI13220



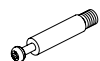


			
Ax6	Bx6	Cx12	Dx6
			
Ex4	Fx12	Gx2	Hx1
			
Ix1	Jx4	Kx8	

1

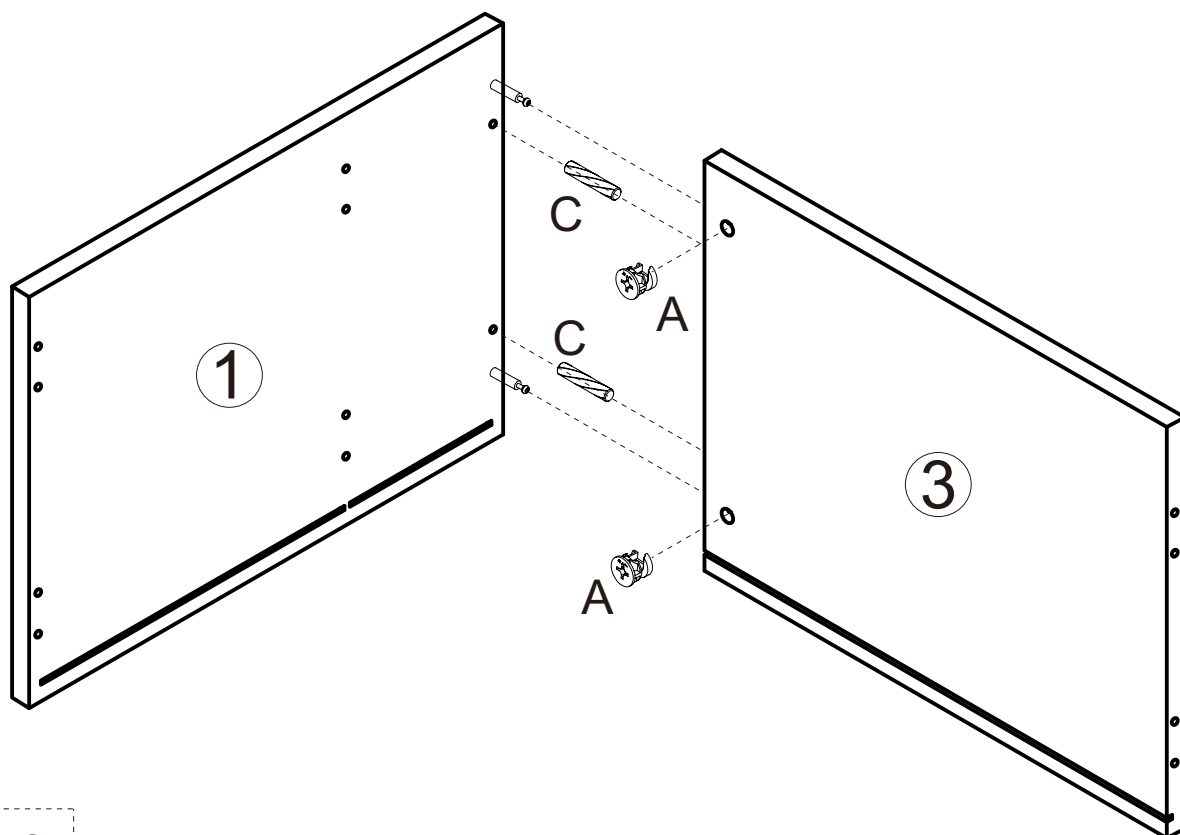


Screw cam bolt B into board 1



Bx6

2



Fasten board 3 to 1 with dowel C and cam lock A

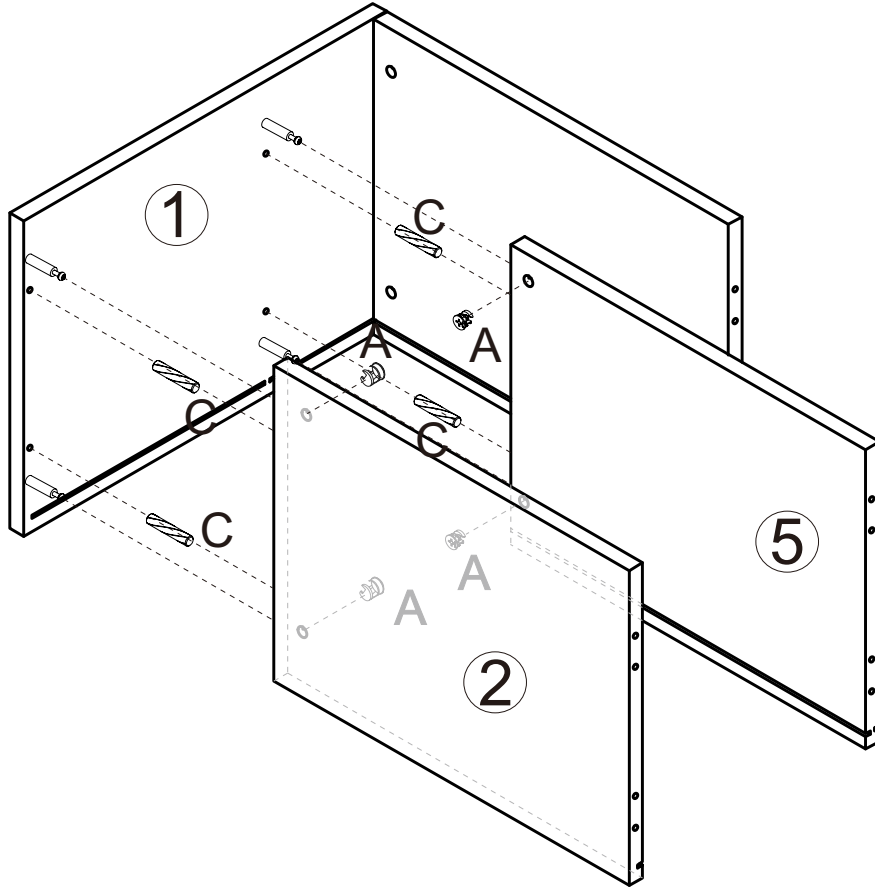


Ax2



Cx2

3



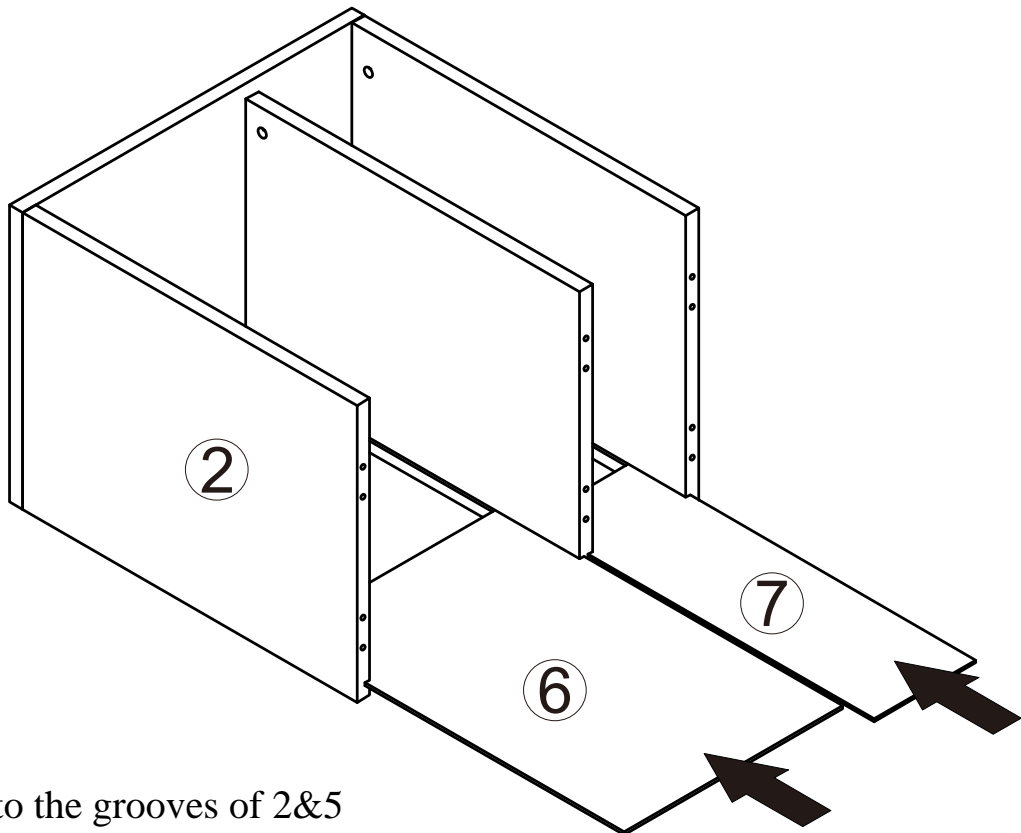
Ax4



Cx4

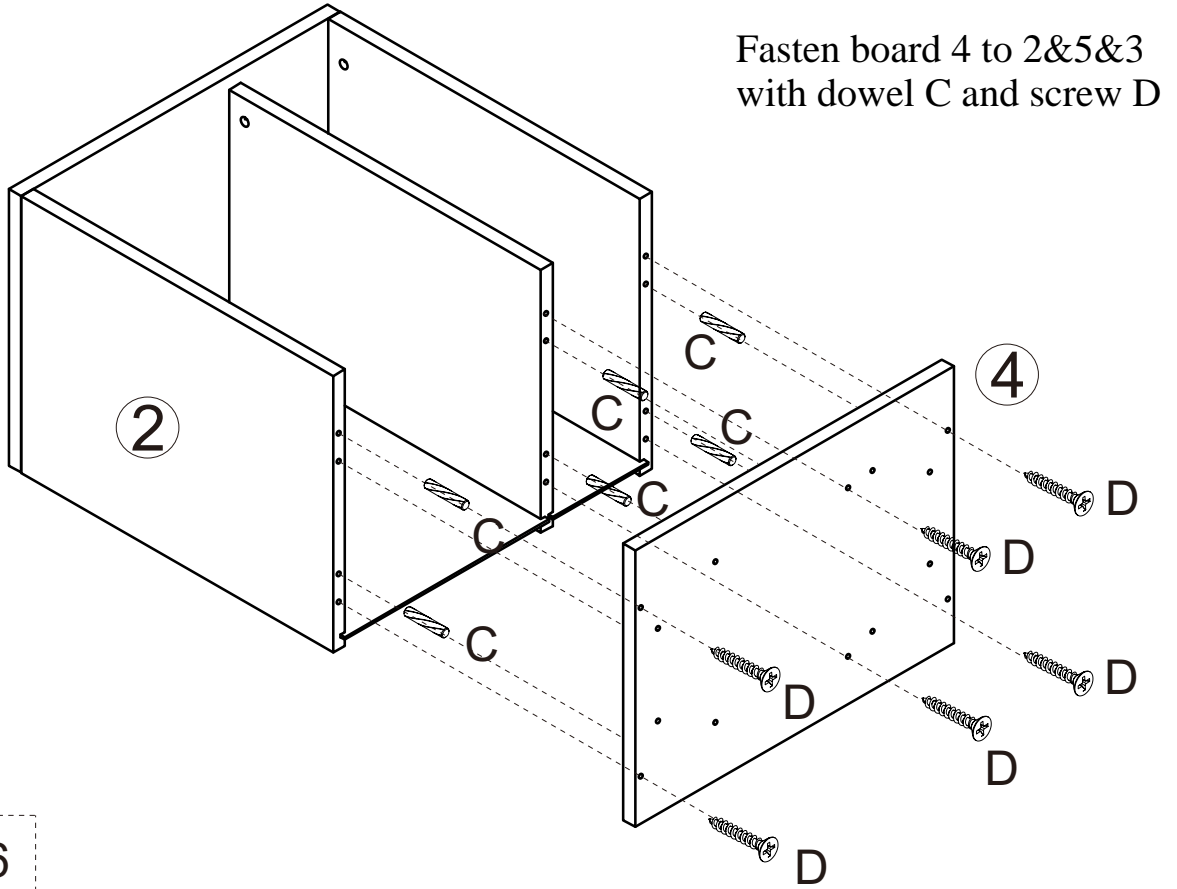
Fasten board 2&5 to 1 with dowel C and cam lock A

4



Slide board 6 to the grooves of 2&5
and slide board 7 to the grooves of 5&3

5

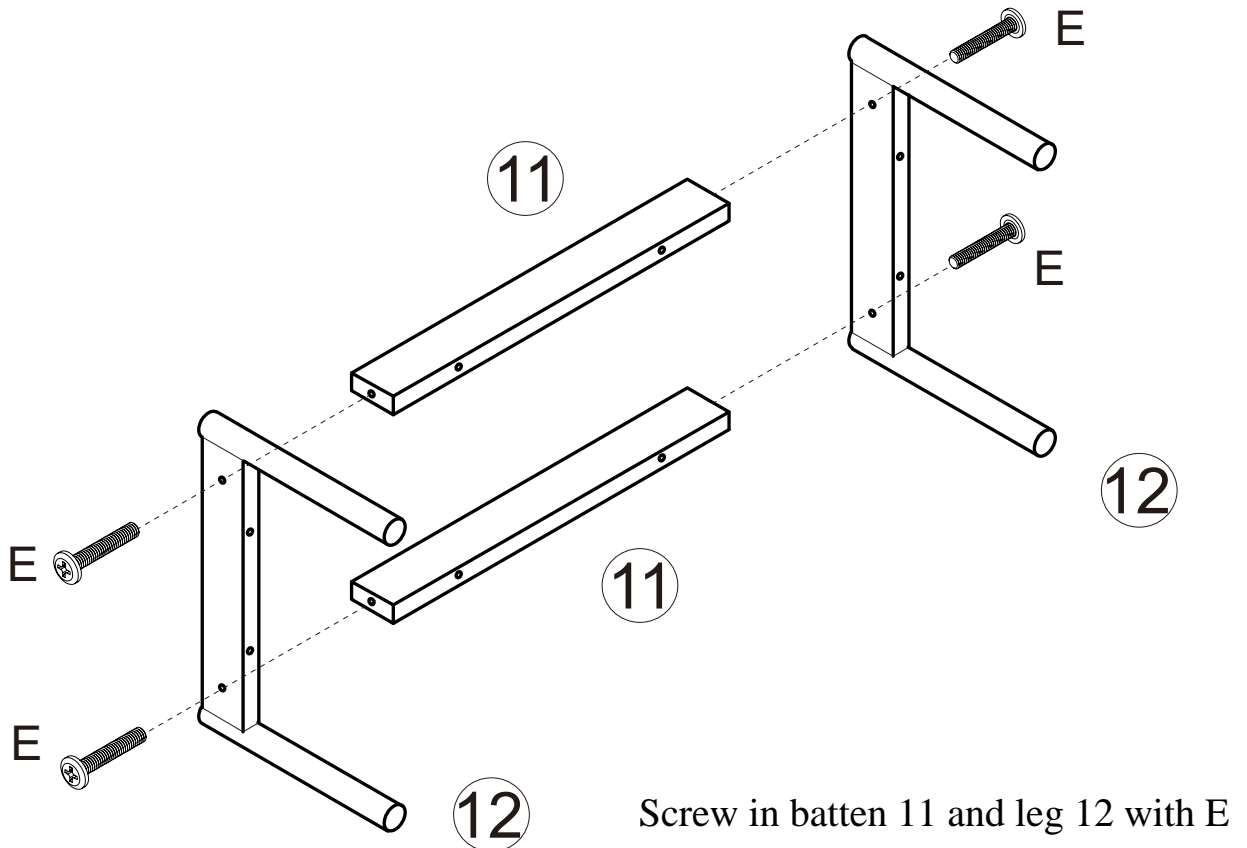


Cx6



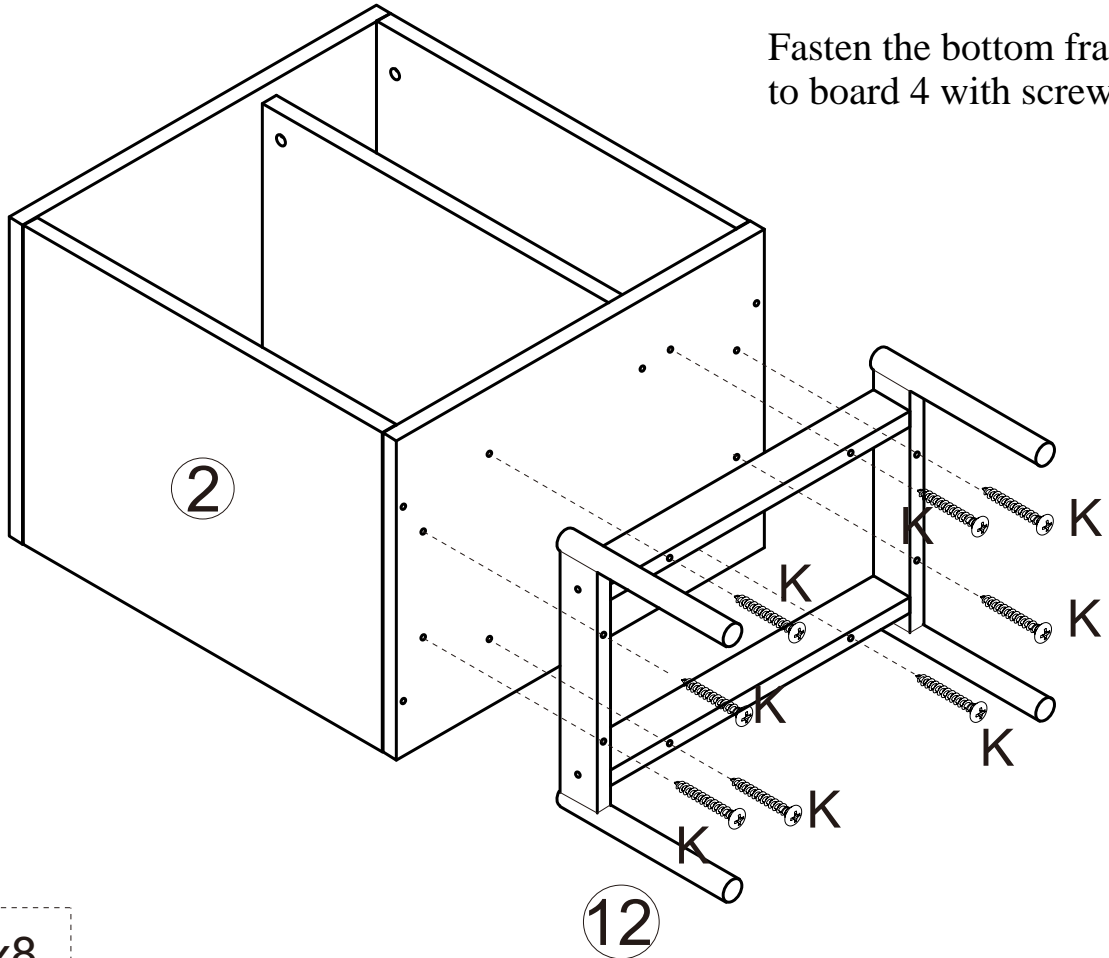
Dx6

6



Ex4

7

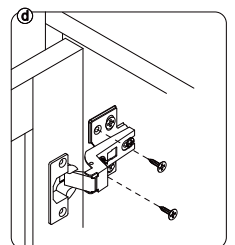
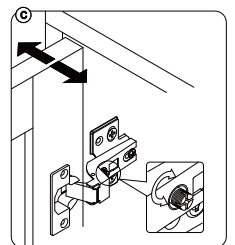
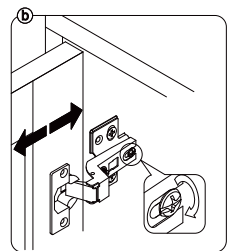
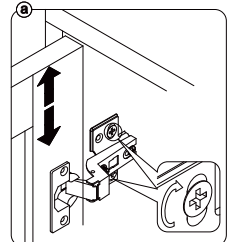
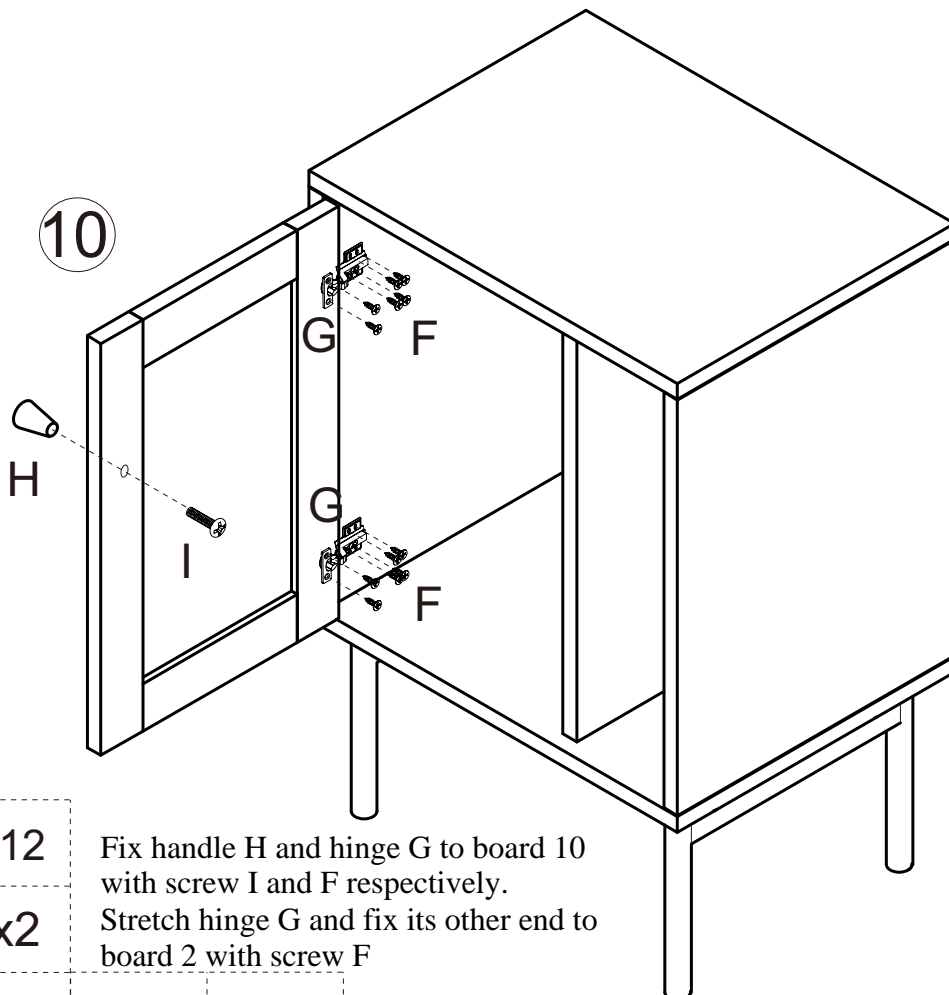


Fasten the bottom frame to board 4 with screw K



Kx8

8



Fx12



Gx2



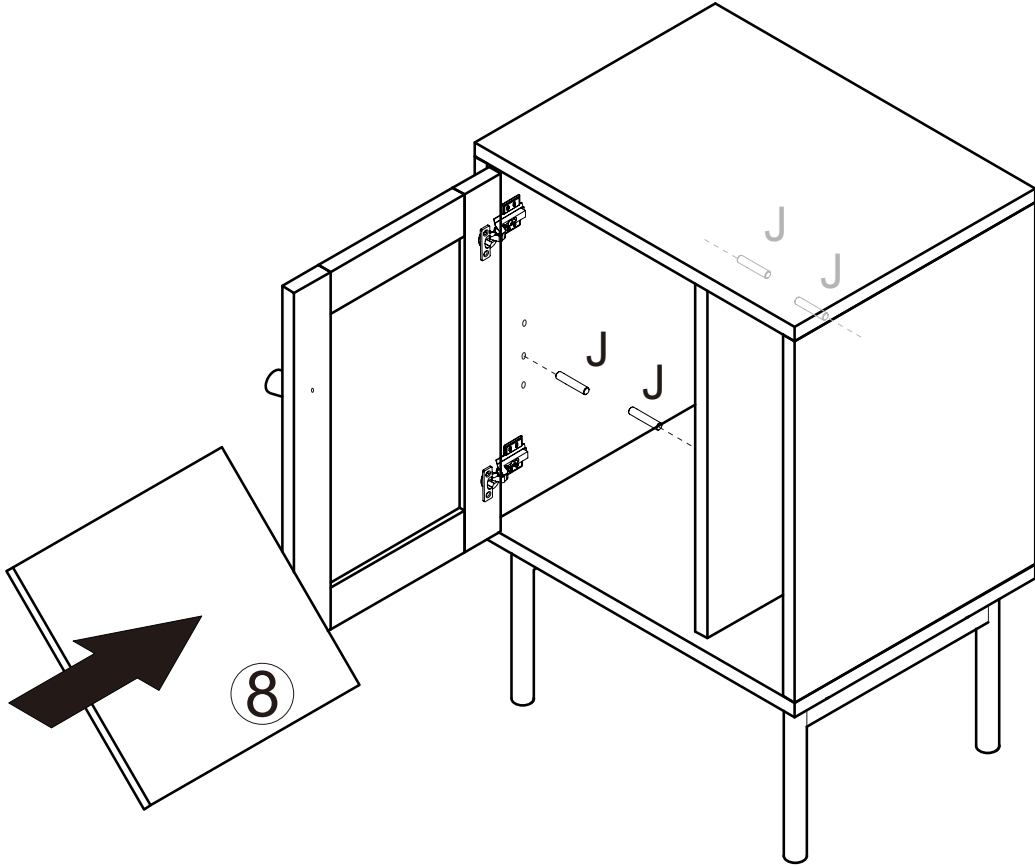
Hx1



Ix1

Fix handle H and hinge G to board 10 with screw I and F respectively. Stretch hinge G and fix its other end to board 2 with screw F

9



Jx4

Insert nail J into the holes of board 2&5 and put board 8 on nails

10

