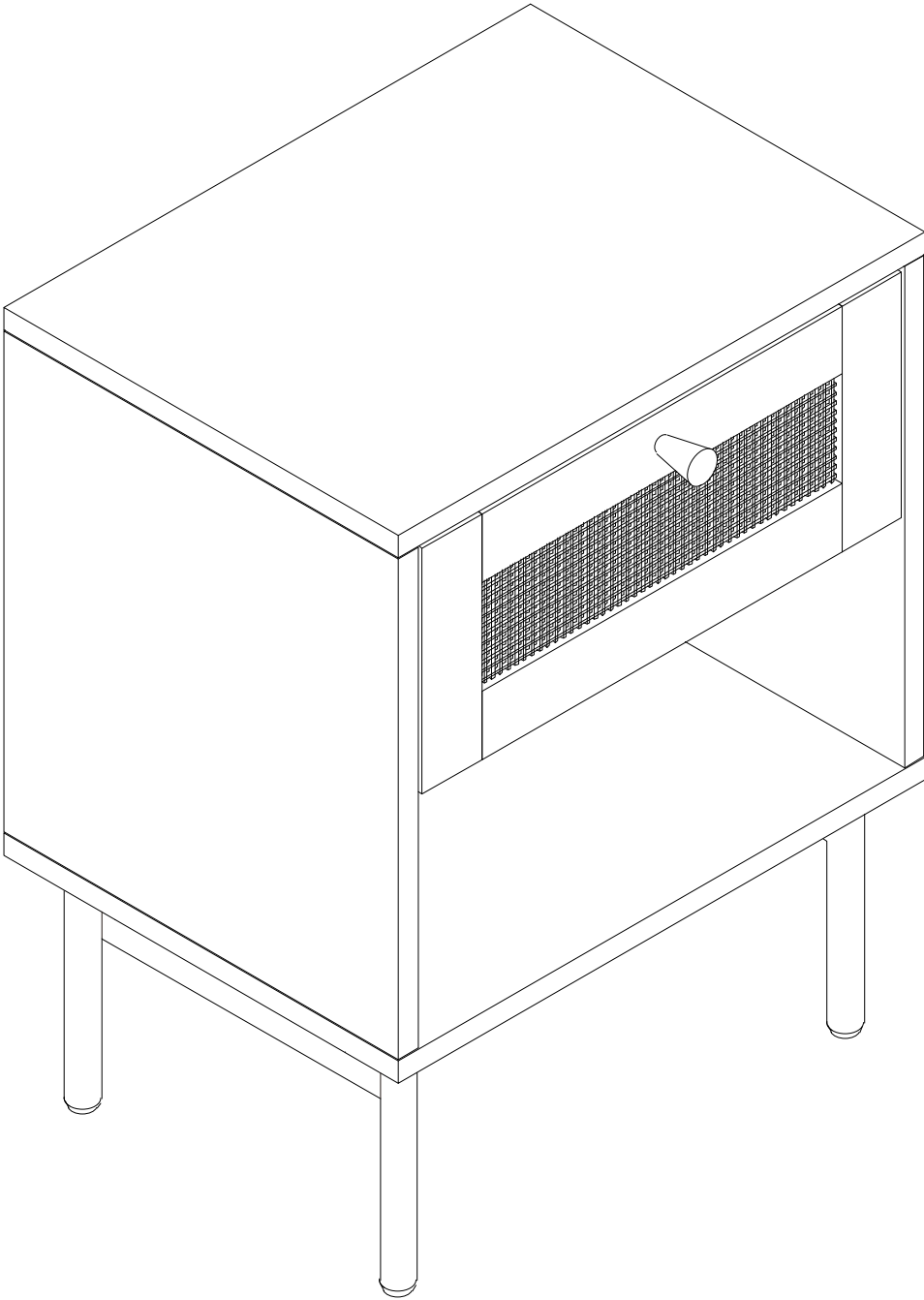
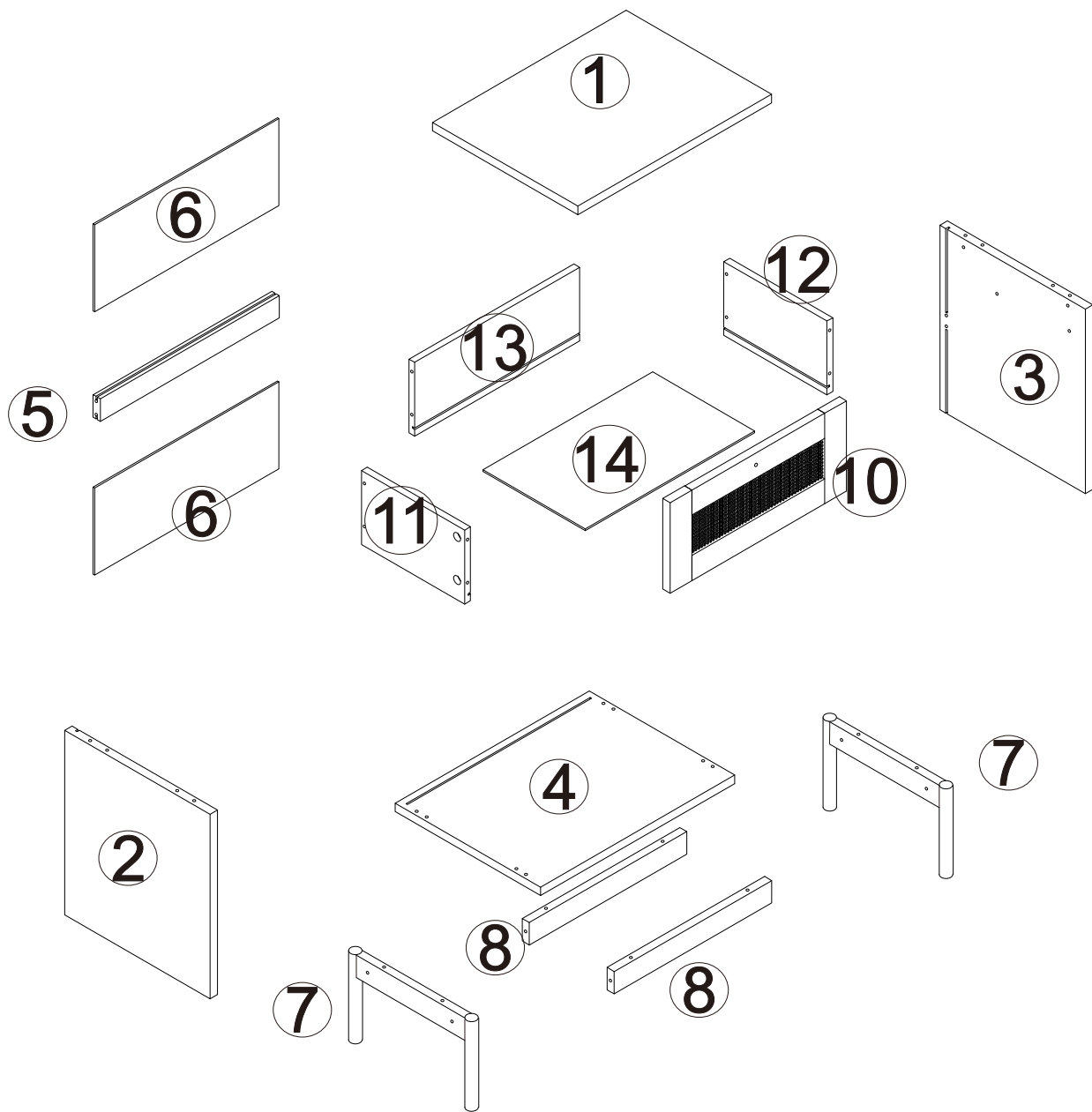

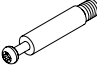



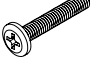
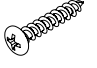
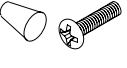
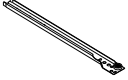

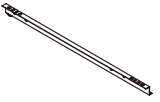
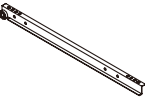


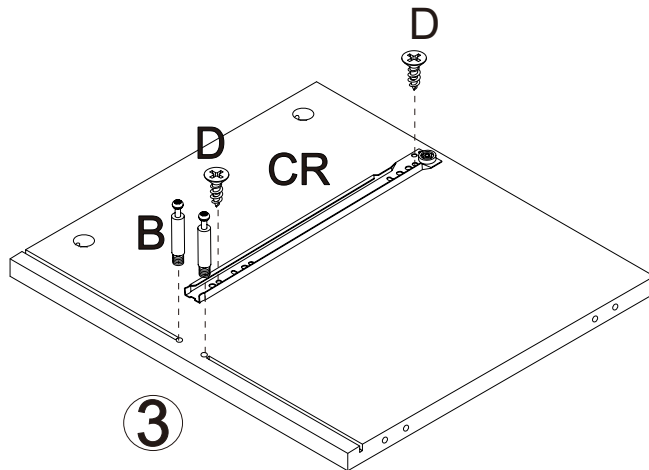
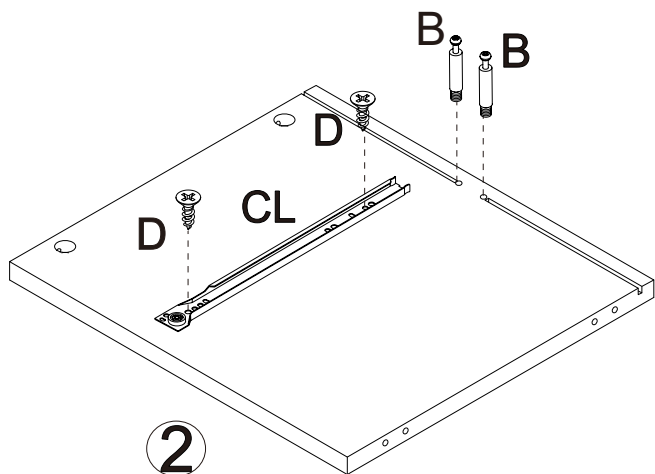
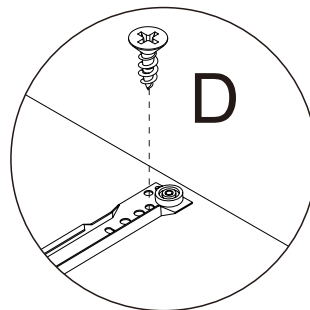
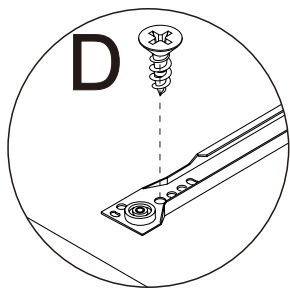
WI13219









				
Ax12	Bx12	Cx8	Dx8	Ex8
				
Fx4	Gx8	Hx1	CLx1	CRx1
				
DLx1	DRx1			

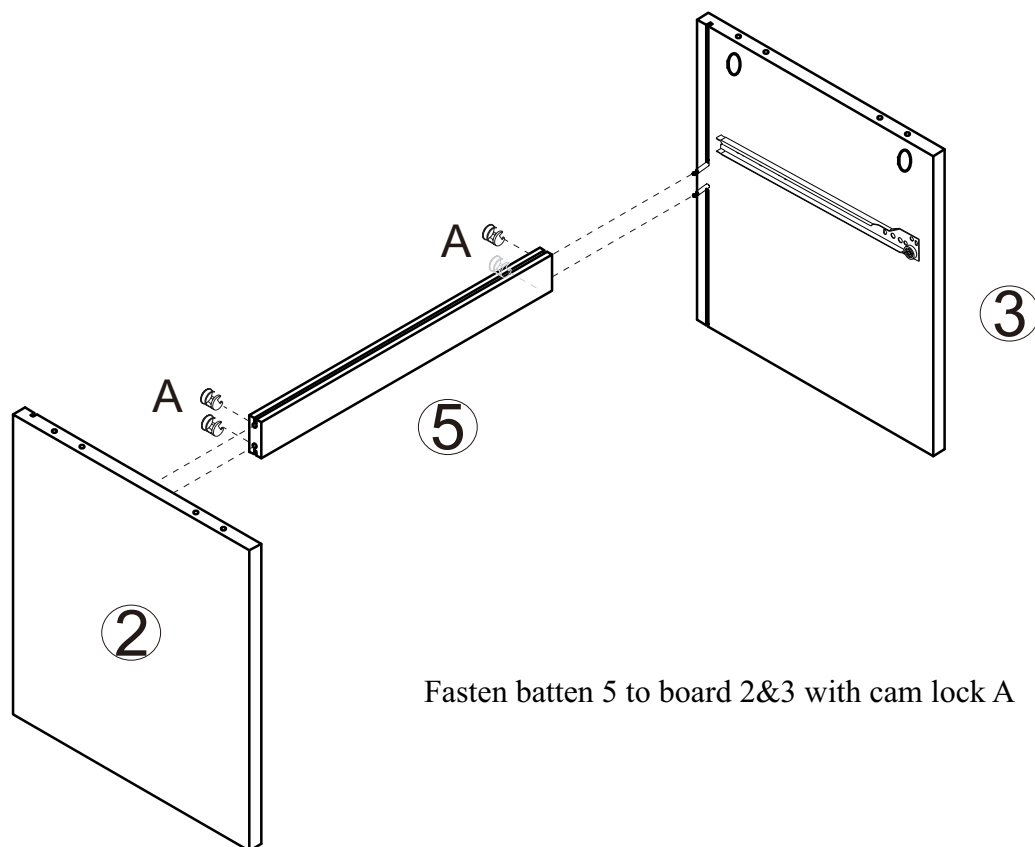
1



	Bx4
	Dx4
	CLx1
	CRx1

Screw cam bolt B into board 2&3
Fix drawer track CL to board 2 and fix CR to board 3 with screw D

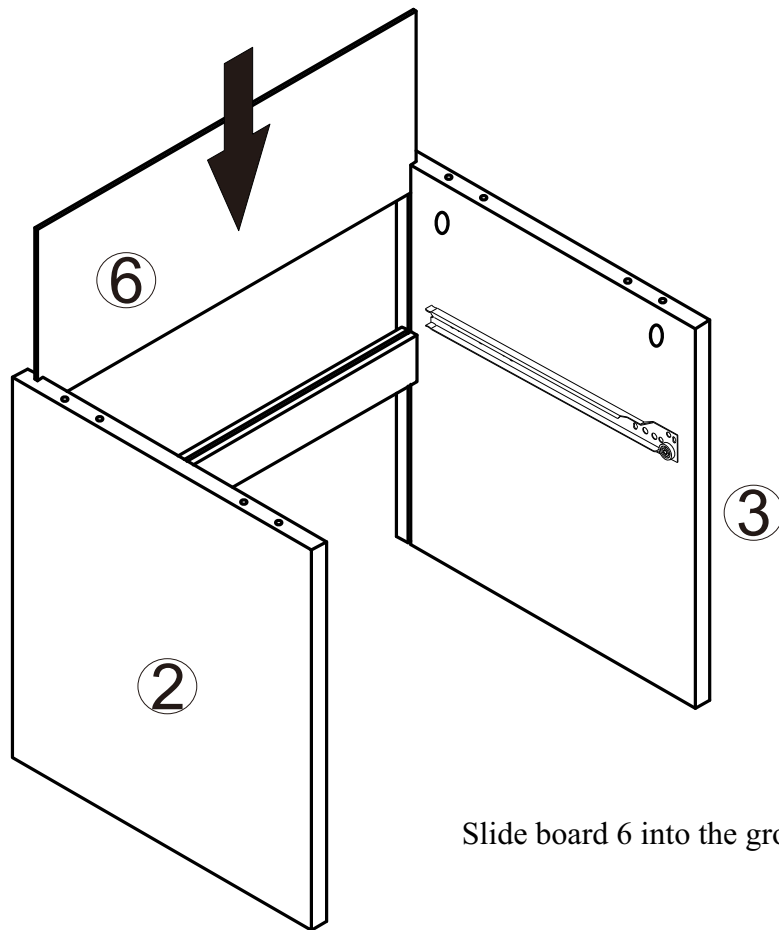
2



Fasten batten 5 to board 2&3 with cam lock A

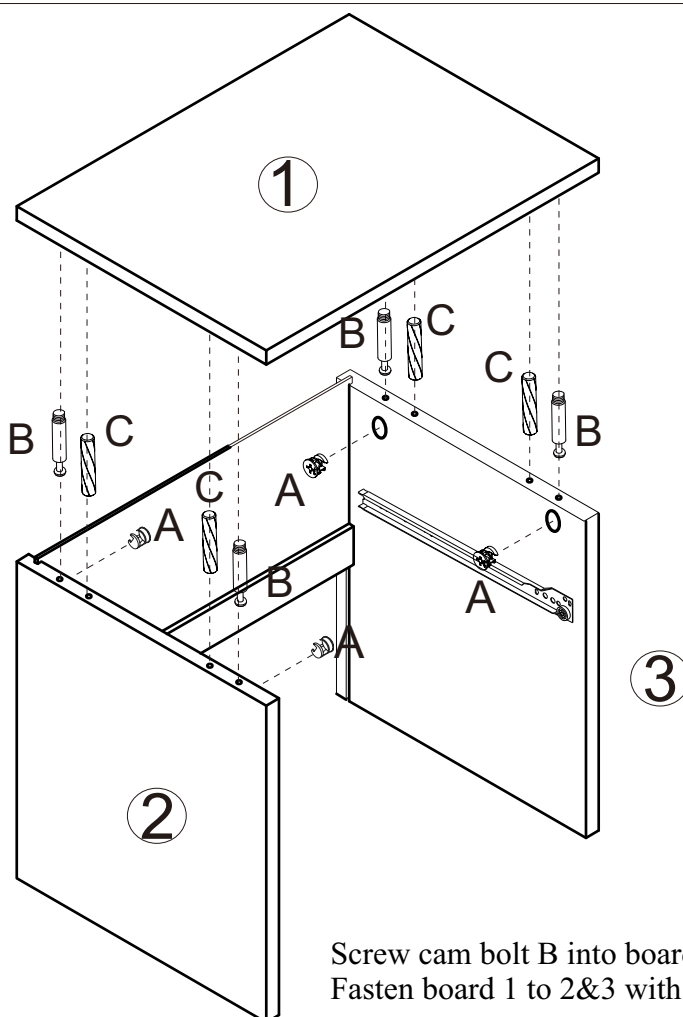
	Ax4
--	-----

3






Slide board 6 into the grooves of 2&3&5

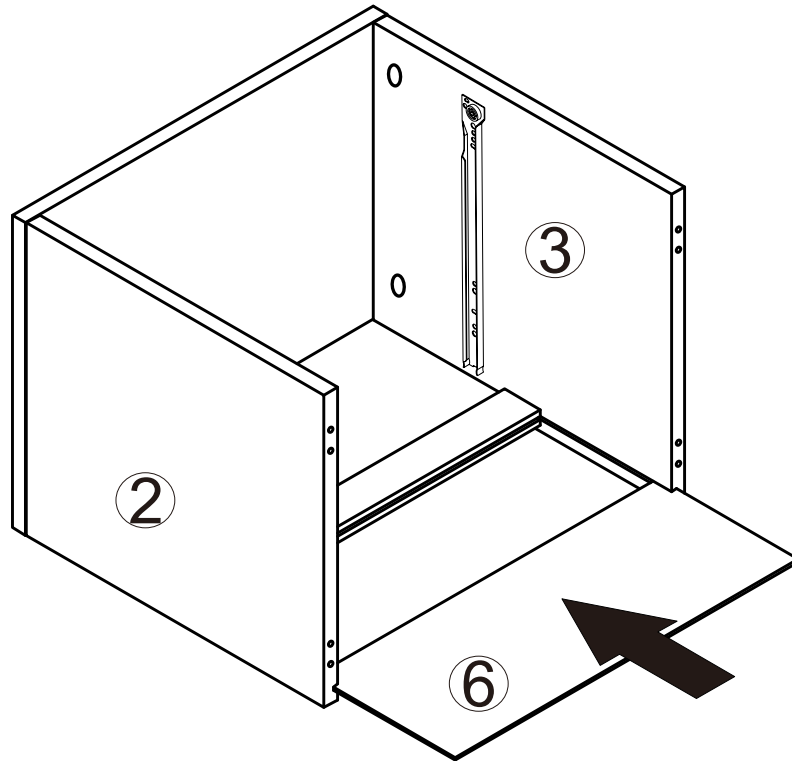
4



Screw cam bolt B into board 1
Fasten board 1 to 2&3 with dowel C and cam lock A

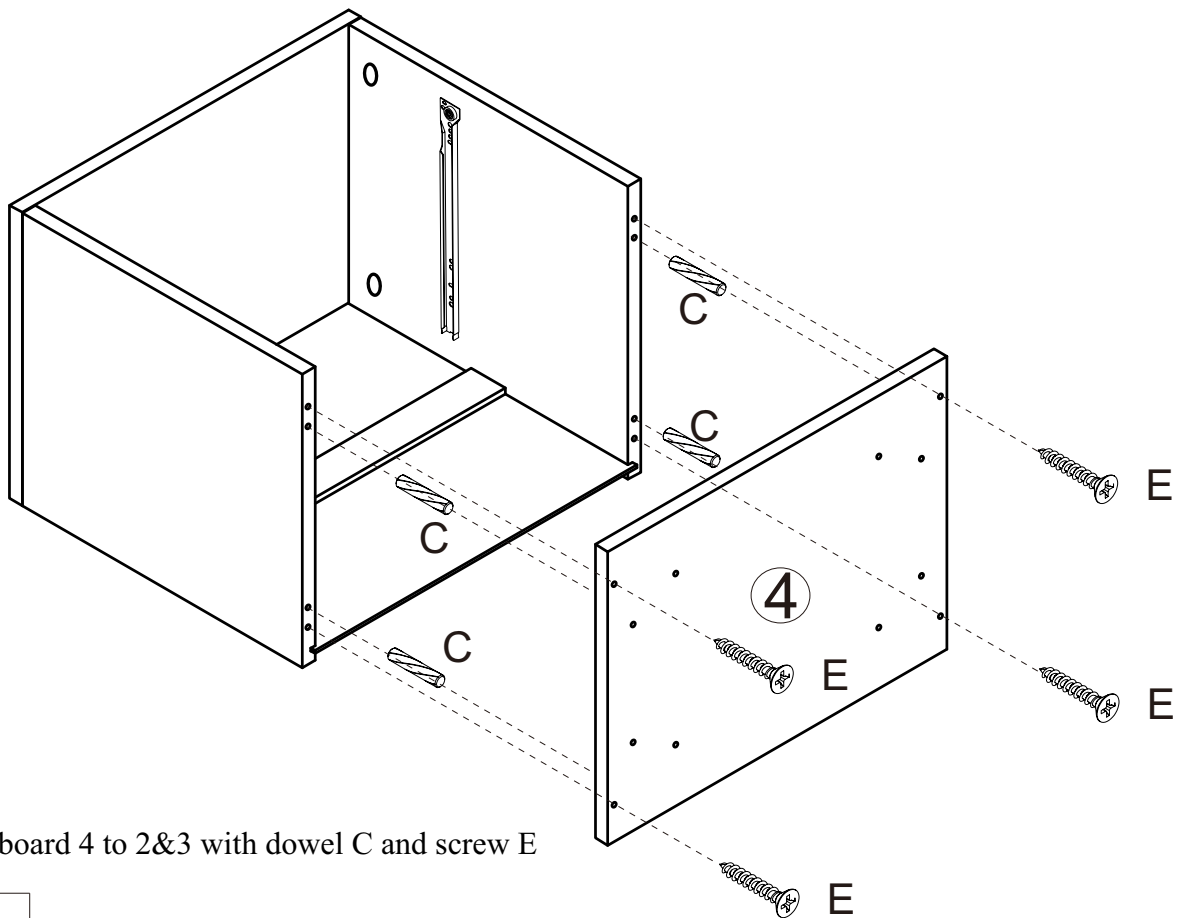
	Ax4
	Bx4
	Cx4

5



Slide board 6 into the grooves of 2&3&5

6



Connect board 4 to 2&3 with dowel C and screw E

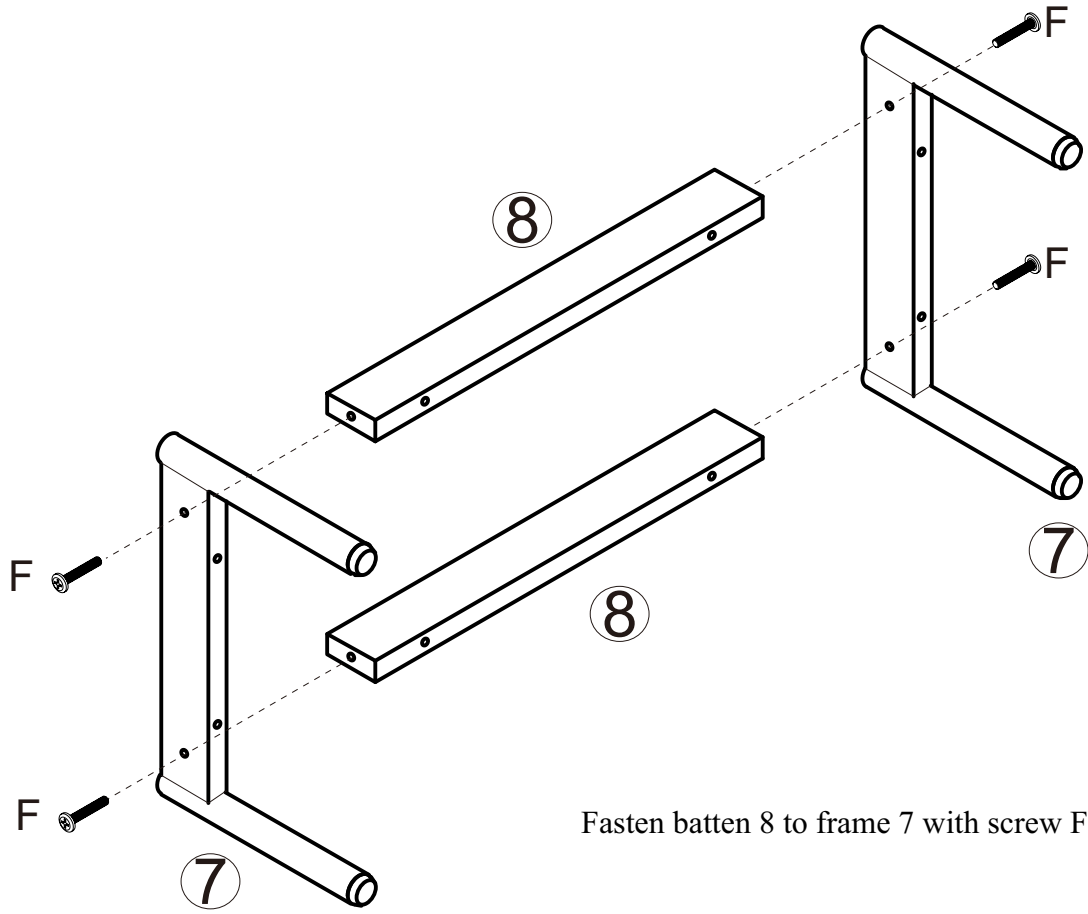


Cx4



Ex4

7

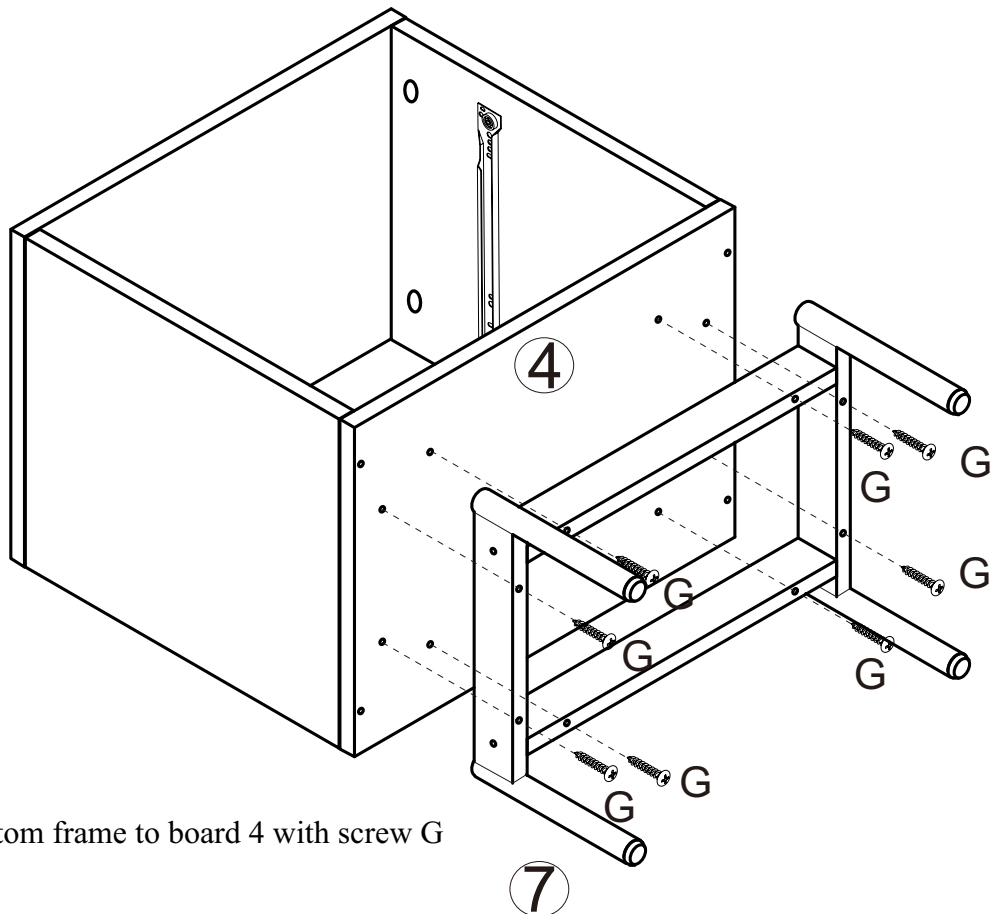


Fasten batten 8 to frame 7 with screw F



Fx4

8

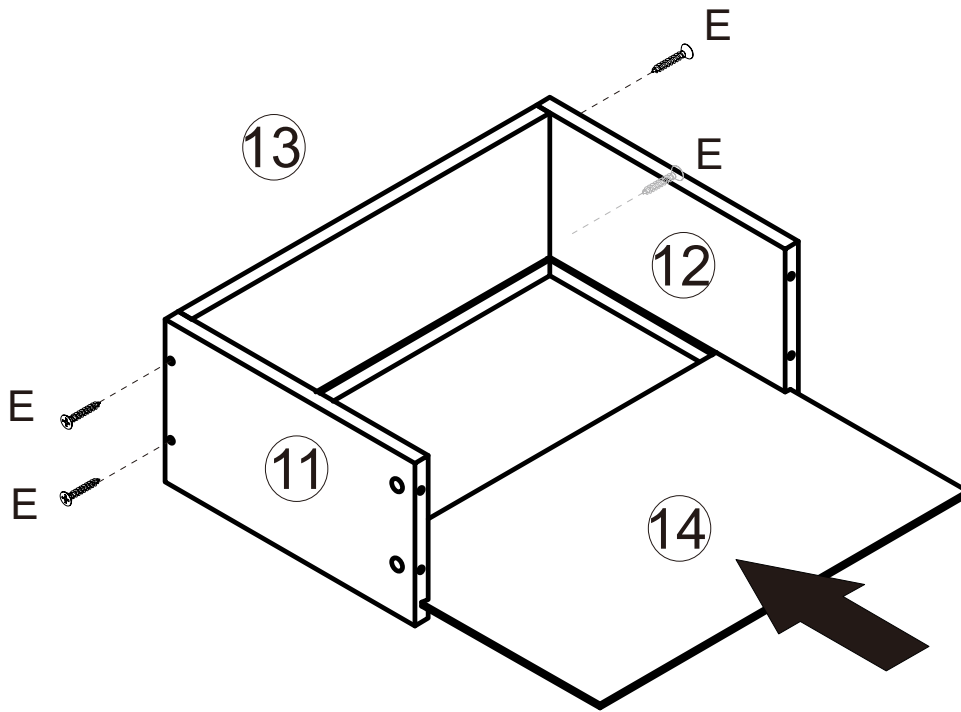


Fasten the bottom frame to board 4 with screw G



Gx8

9

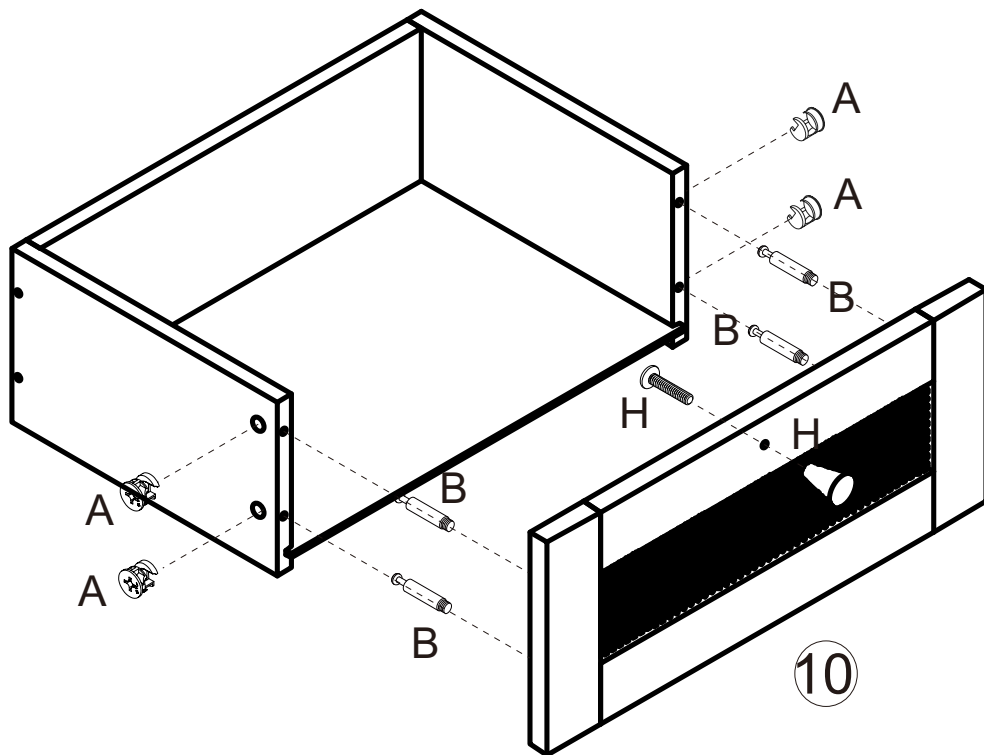


Connect board 13 to 11&12 with screw E
Slide board 14 into the grooves 11&12&13



Ex4

10



Fix cam bolt B and handle H to board 10
Fasten board 10 to 11&12 with cam lock A



Ax4

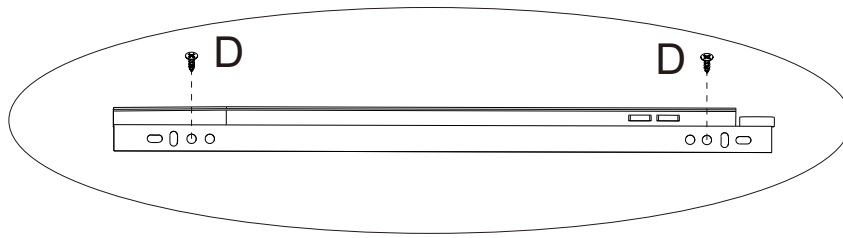


Bx4

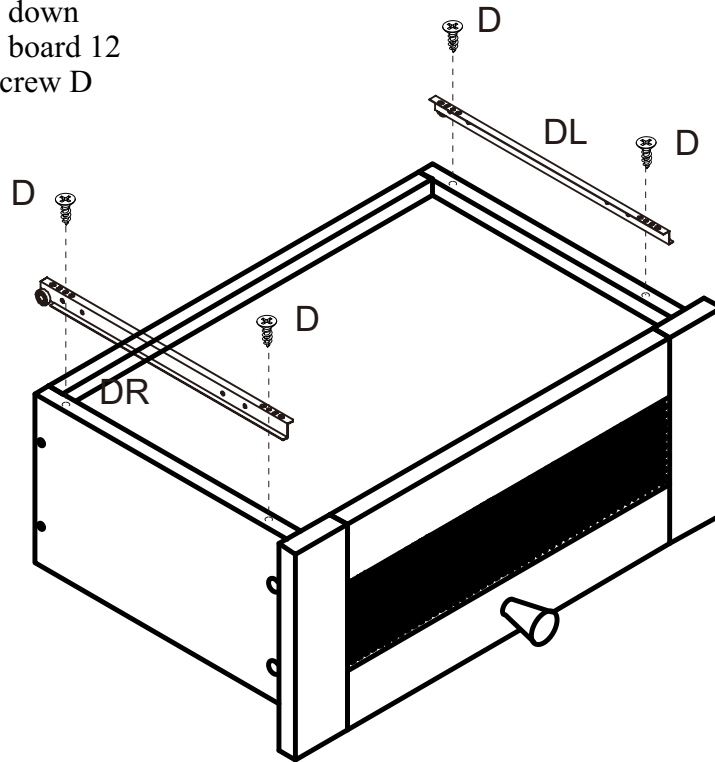





Hx1

11

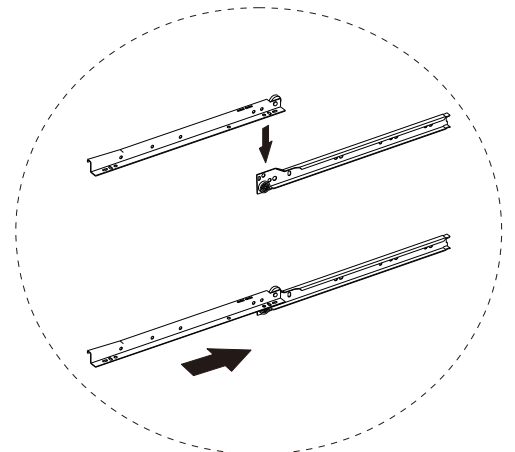
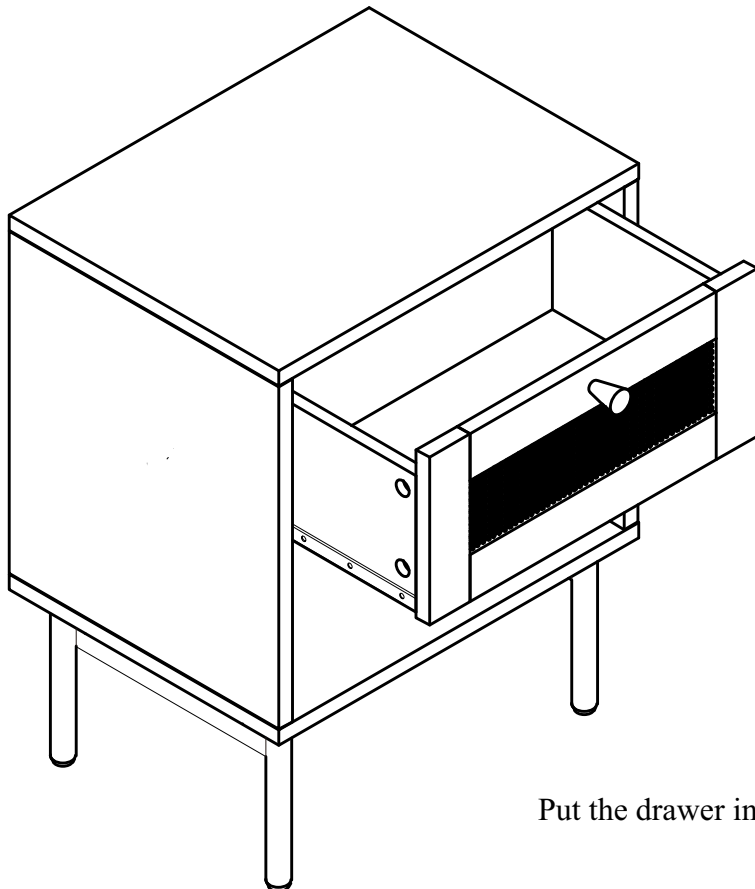


Turn the drawer upside down
Fix drawer track DR to board 12
and fix DL to 11 with screw D



	Dx4
	DLx1
	DRx1

12



Put the drawer into the frame