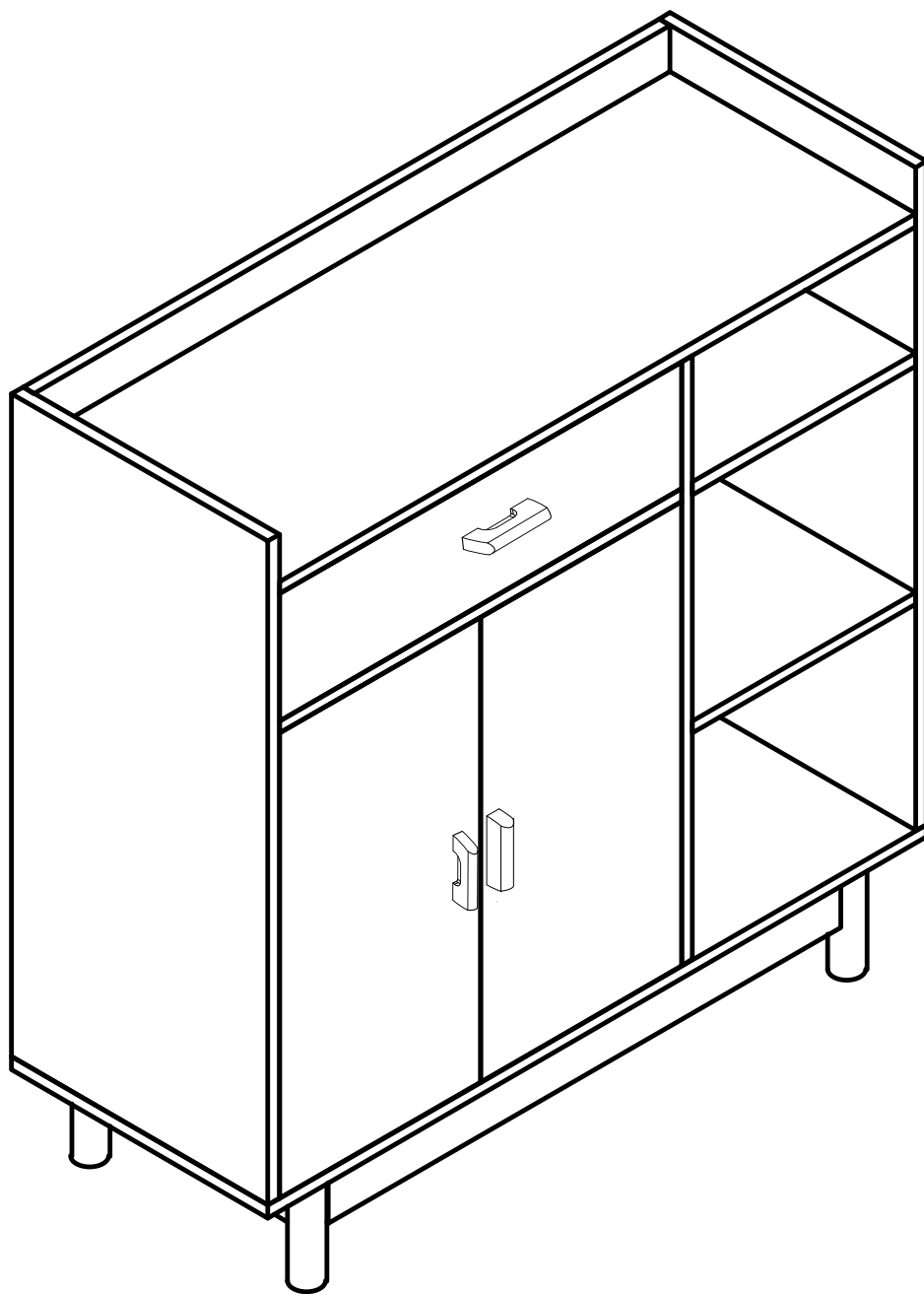
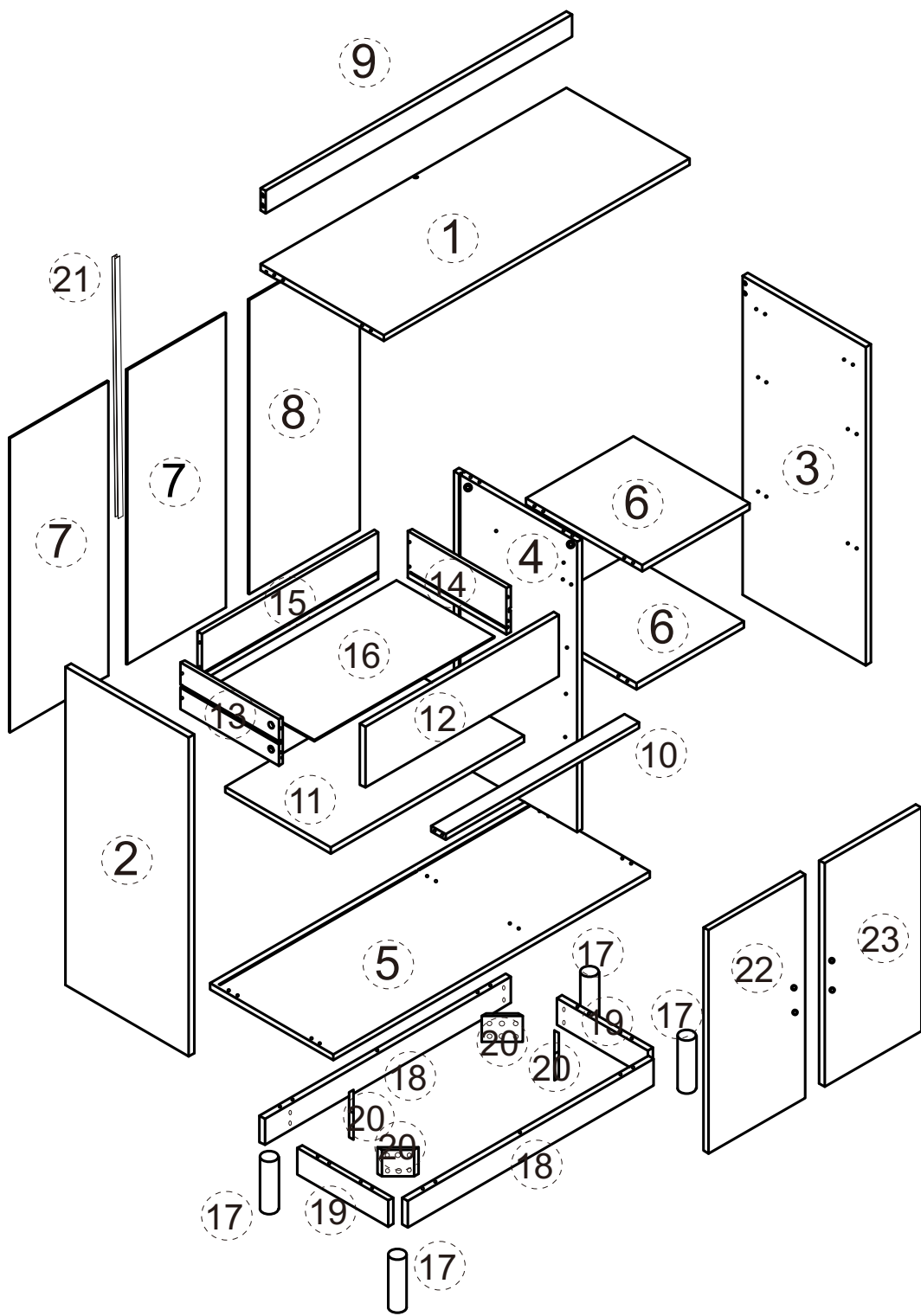


WI12936


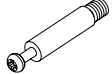
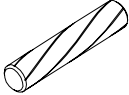
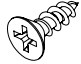
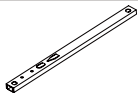

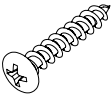
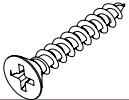
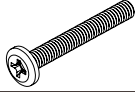

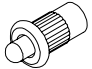
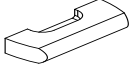
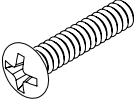
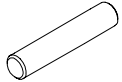
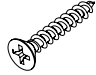
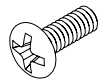
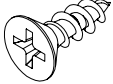
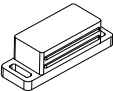
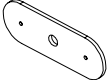




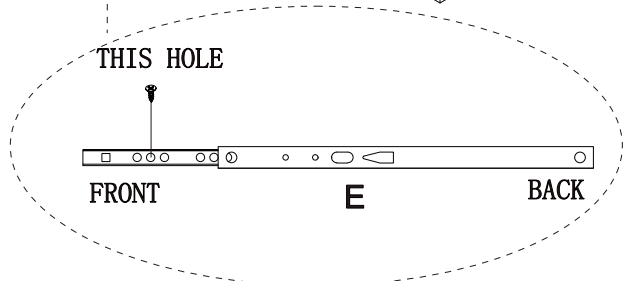
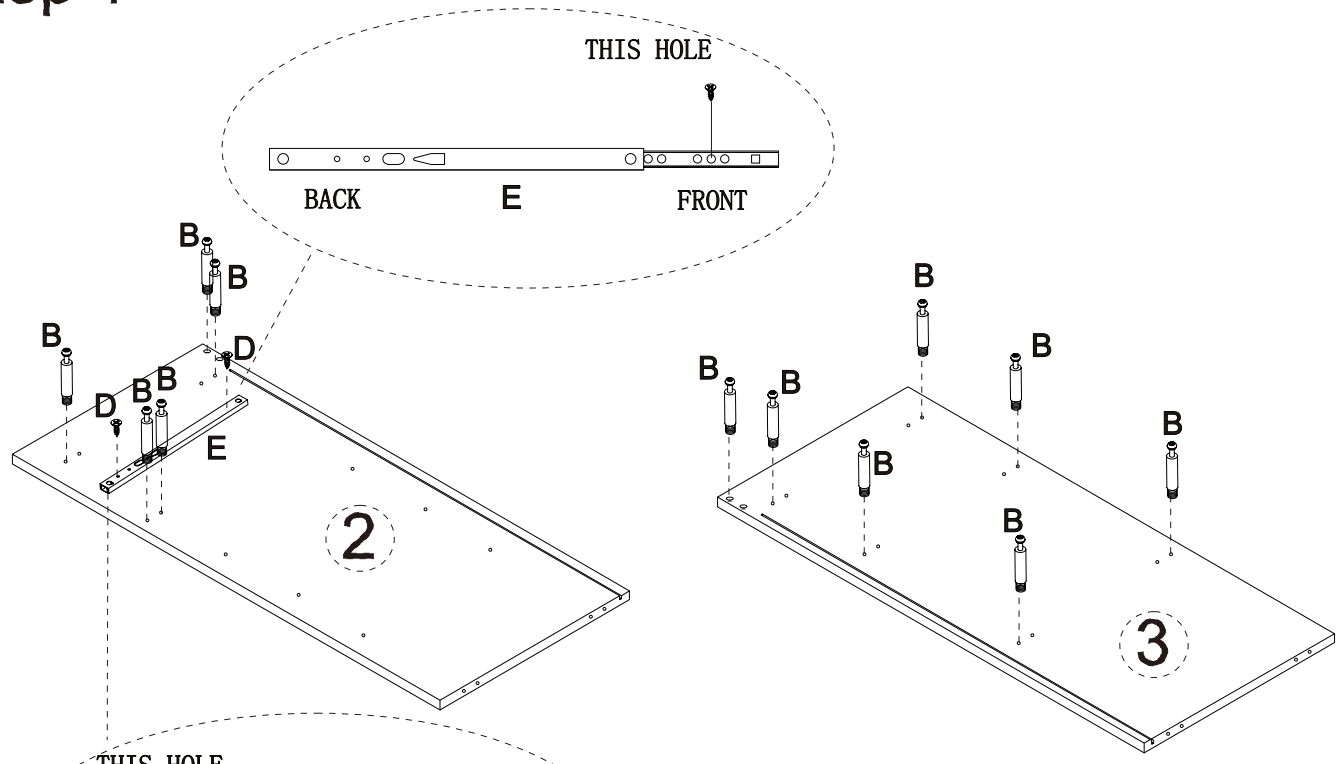
Parts	QTY
1 Top Panel	1
2 Left Side Panel	1
3 Right Side Panel	1
4 Spacer Plate	1
5 Bottom Panel	1
6 Fixed Shelf	2
7 Left Back Panel	2
8 Right Back Panel	1

Parts	QTY
9 Top Panel Border	1
10 Apron (Under the drawer)	1
11 Movable Shelf	1
12 Front Drawer Panel	1
13 Left Drawer Side Panel	1
14 Right Drawer Side Panel	1
15 Back Drawer Panel	1
16 Bottom Drawer Panel	1

Parts	QTY
17 Leg	4
18 Leg Support Slat (Front and Back)	2
19 Leg Support Slat (Left and Right)	2
20 Leg Support Panel	4
21 Back Panel Slat	1
22 Left Door	1
23 Right Door	1

Hardware			QTY
A	Cam Lock		24
B	Cam Bolt		24
C	Wooden Dowel		24
D	Self-tapping Screw 3*12MM		6
E	Drawer Slide		2
F	Self-tapping Screw 4*35MM		7
G	Button Head Screw 4*40MM		10
H	Self-tapping Screw 4*25MM		16
I	Cross Flat Head Bolt		8
J	Washer		8
K	Plastic Connector		4
L	Wooden Handle		3
M	Button Head Bolt 4*20MM		6
N	Iron Nail (for Movable Shelf)		4
O	Self-tapping Screw 4*30MM		4
P	Button Head Bolt 4*10MM		2
Q	Self-tapping Screw 4*14MM		2
R	Magnetic Door Closure		1
S	Magnetic Patch		2

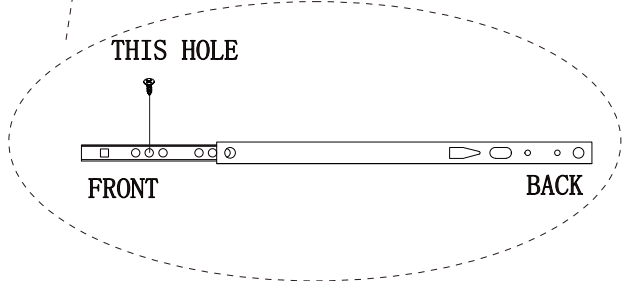
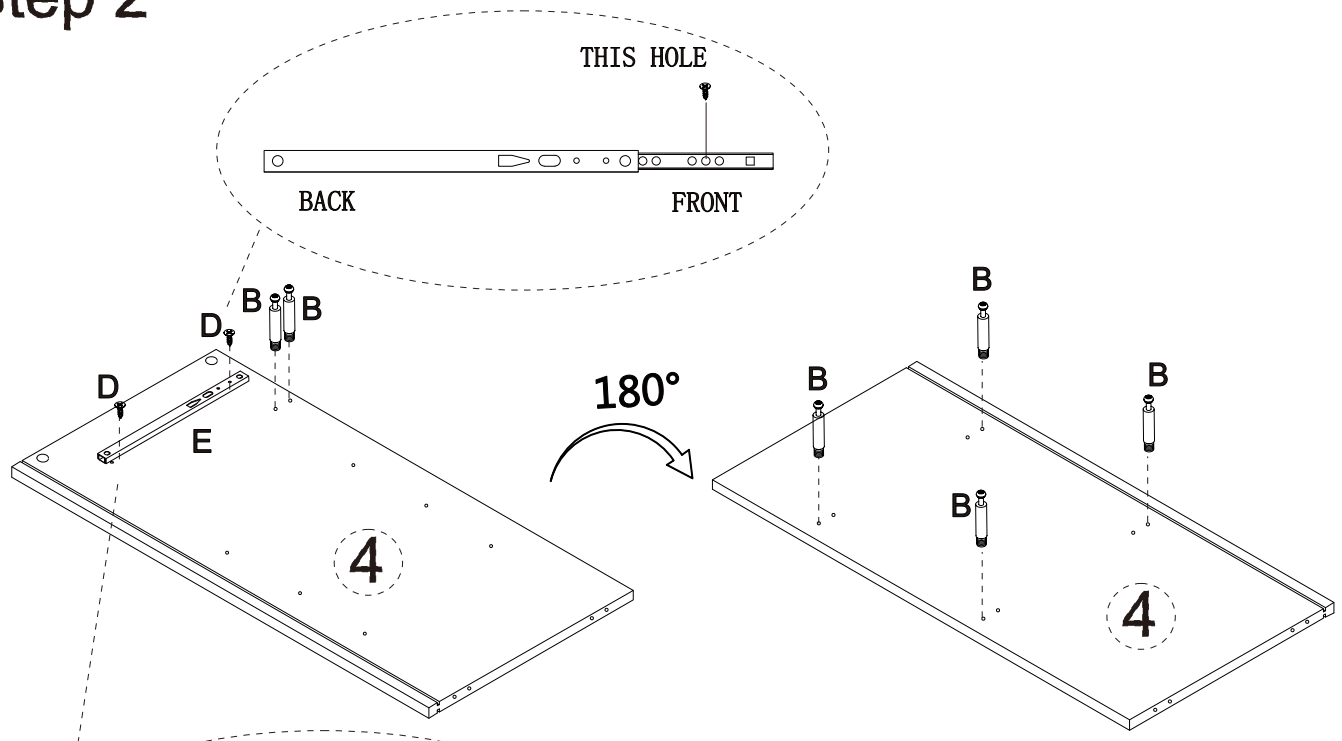
Step 1



Stretch Hardware E and fix it to Part 2 with D
Fix Hardware B to Part 2&3

	Bx12
	Dx2
	Ex1

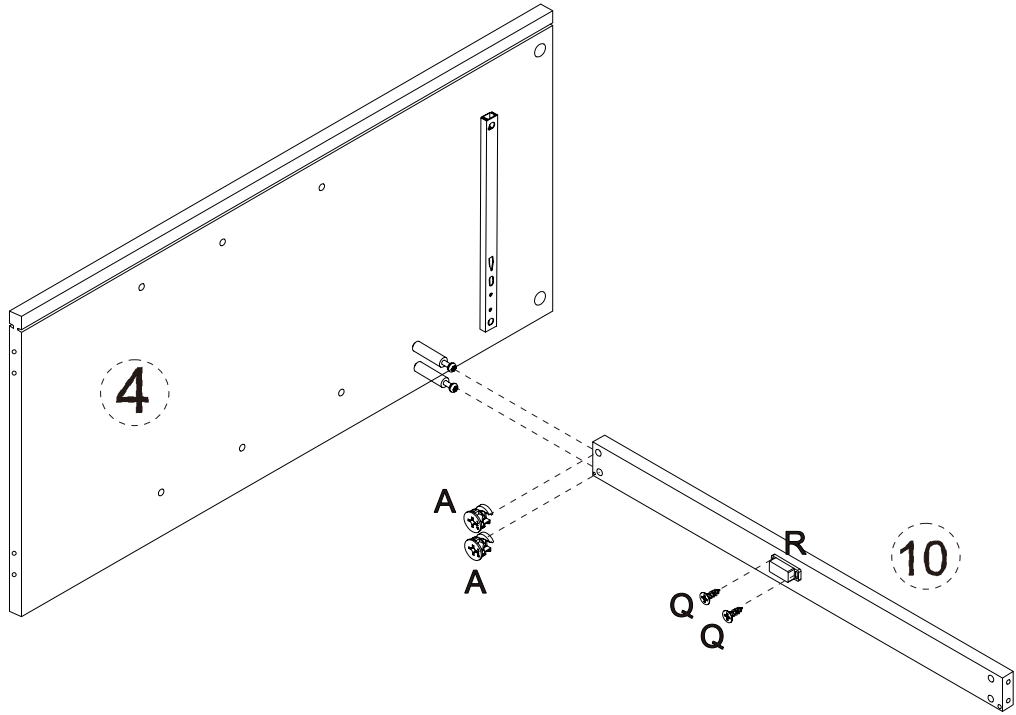
Step 2





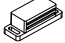
Stretch Hardware E and fix it to Part 4 with D
Fix Hardware B to both sides of Part 4

	Bx6
	Dx2
	Ex1

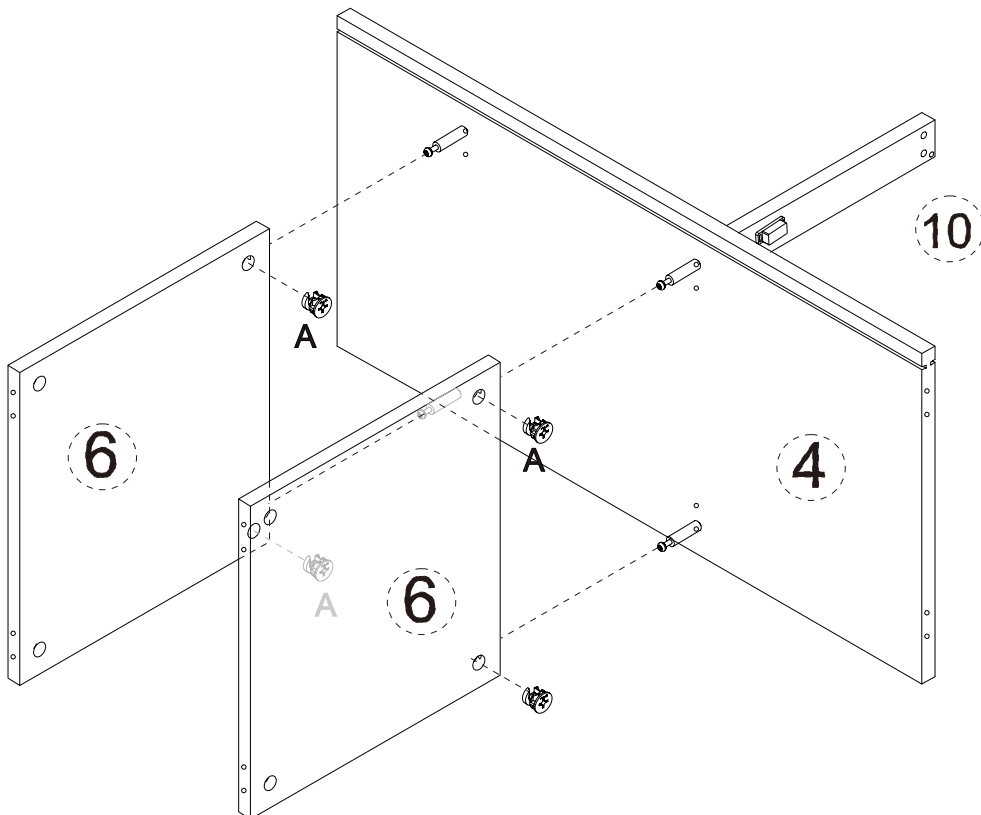
Step 3



Fix Hardware R to Part 10 with Q
Connect Part 10 to 4 with Hardware A

	Ax2
	Qx2
	Rx1

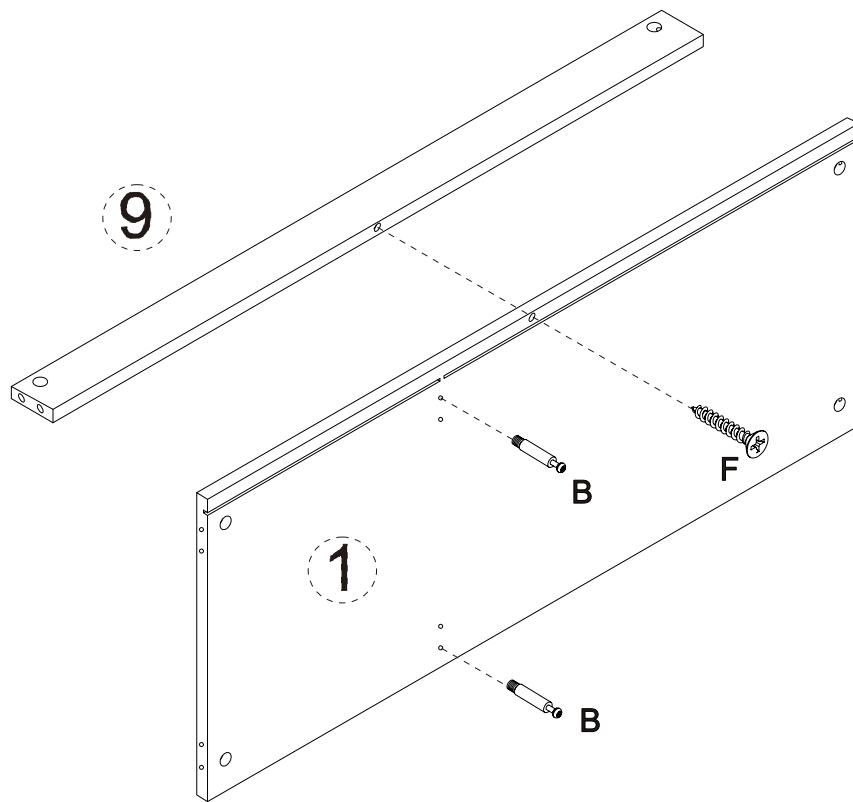
Step 4





Connect Part 6 to 4 with Hardware A

	Ax4
---	-----

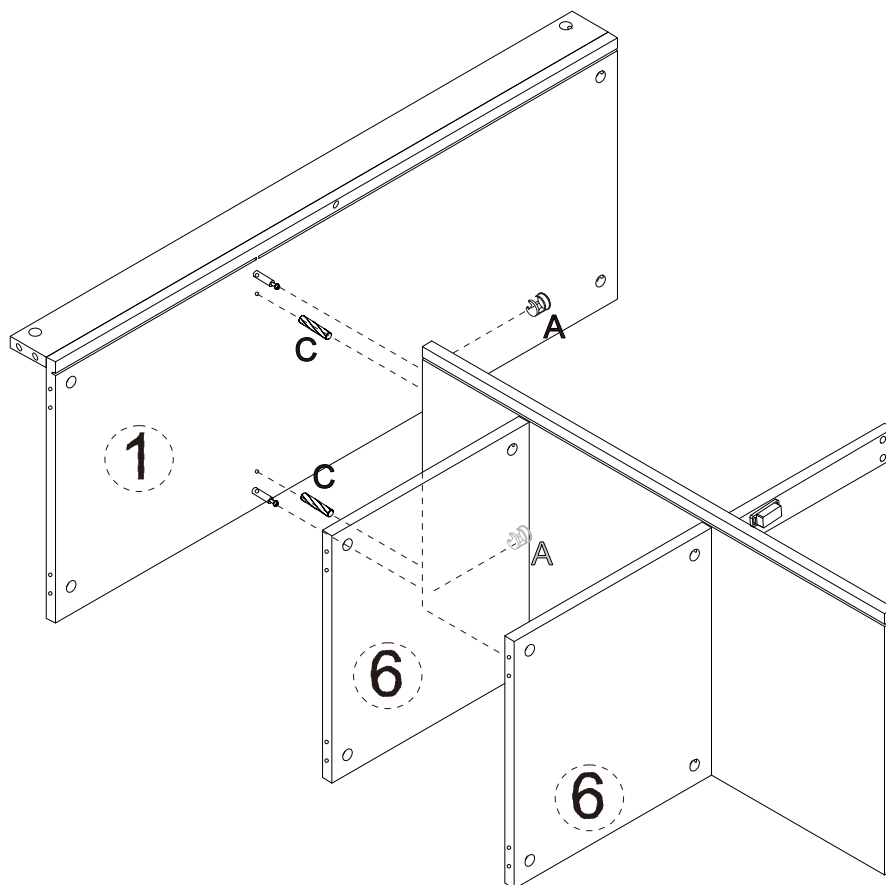
Step 5





Fix Hardware B to Part 1
Connect Part 9 with 1 with Hardware F

	Bx2
	Fx1

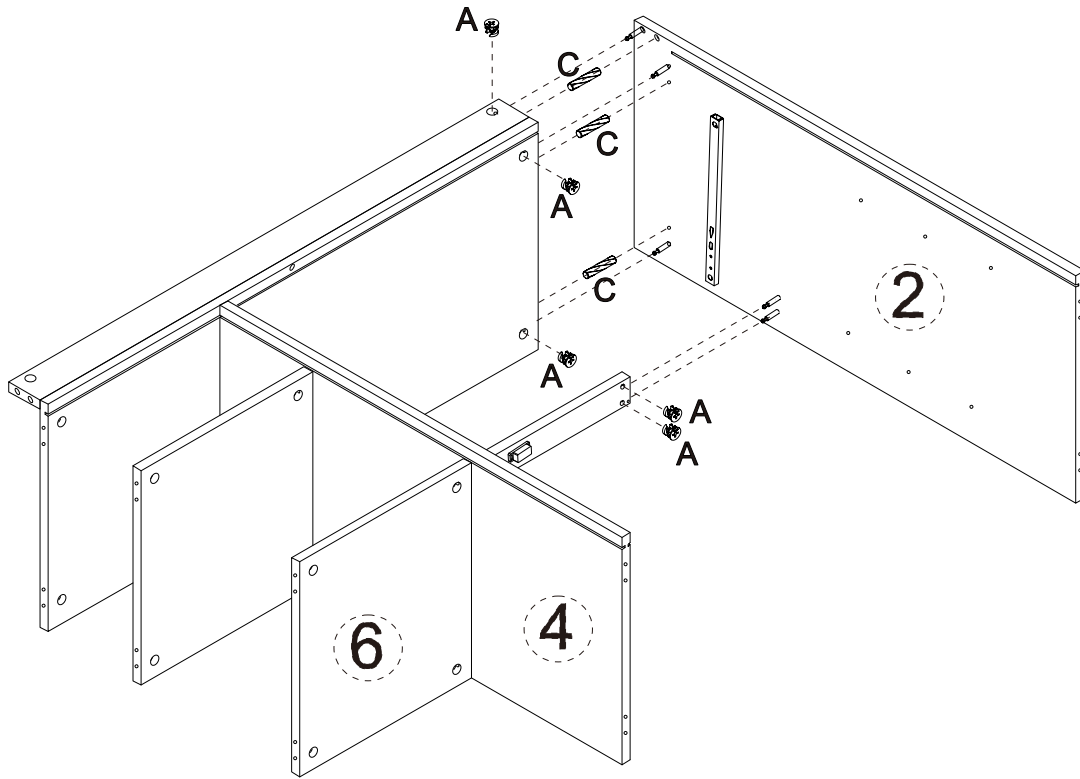
Step 6



Attach Part 1 to 4 with Hardware C & A(C first)

	Ax2
	Cx2

Step 7



Insert Hardware C into Part 1&9
Attach Part 2 to 1&9&10 with Hardware A

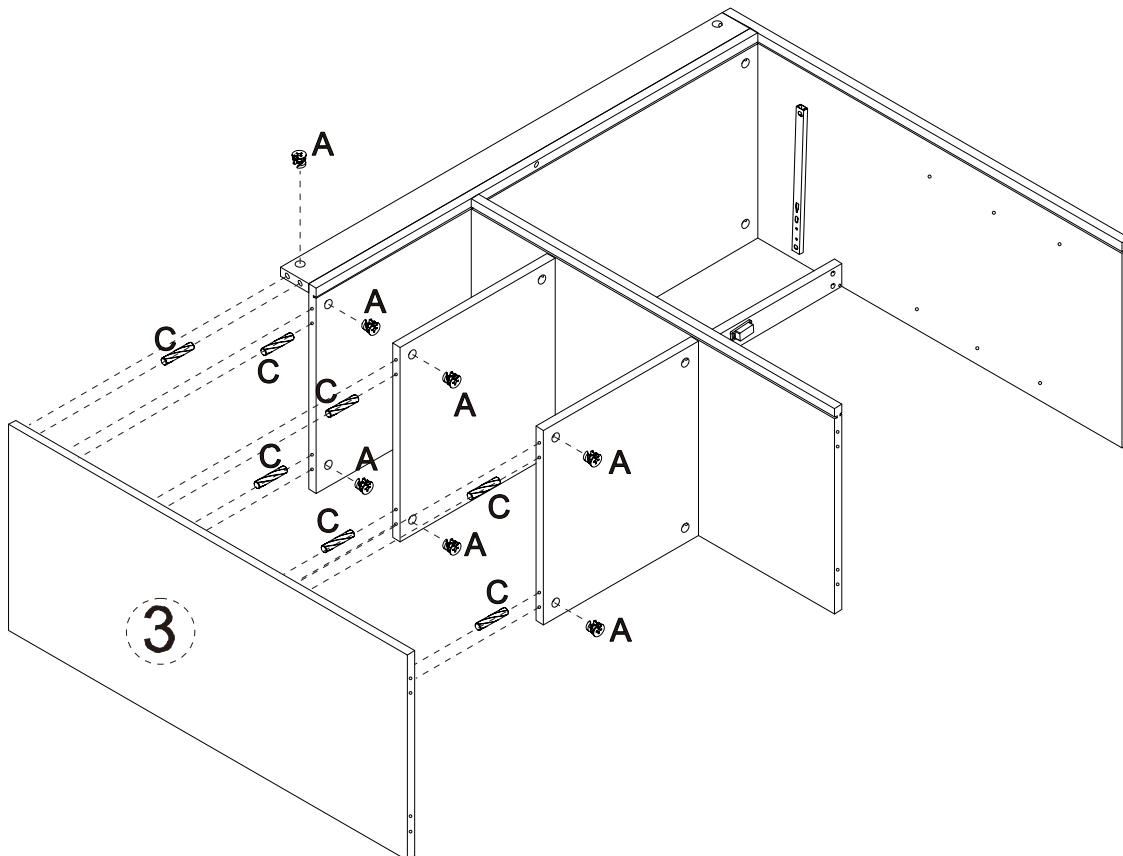


Ax5



Cx3

Step 8



Attach Part 3 to 1&9&10 with Hardware C&A (first)

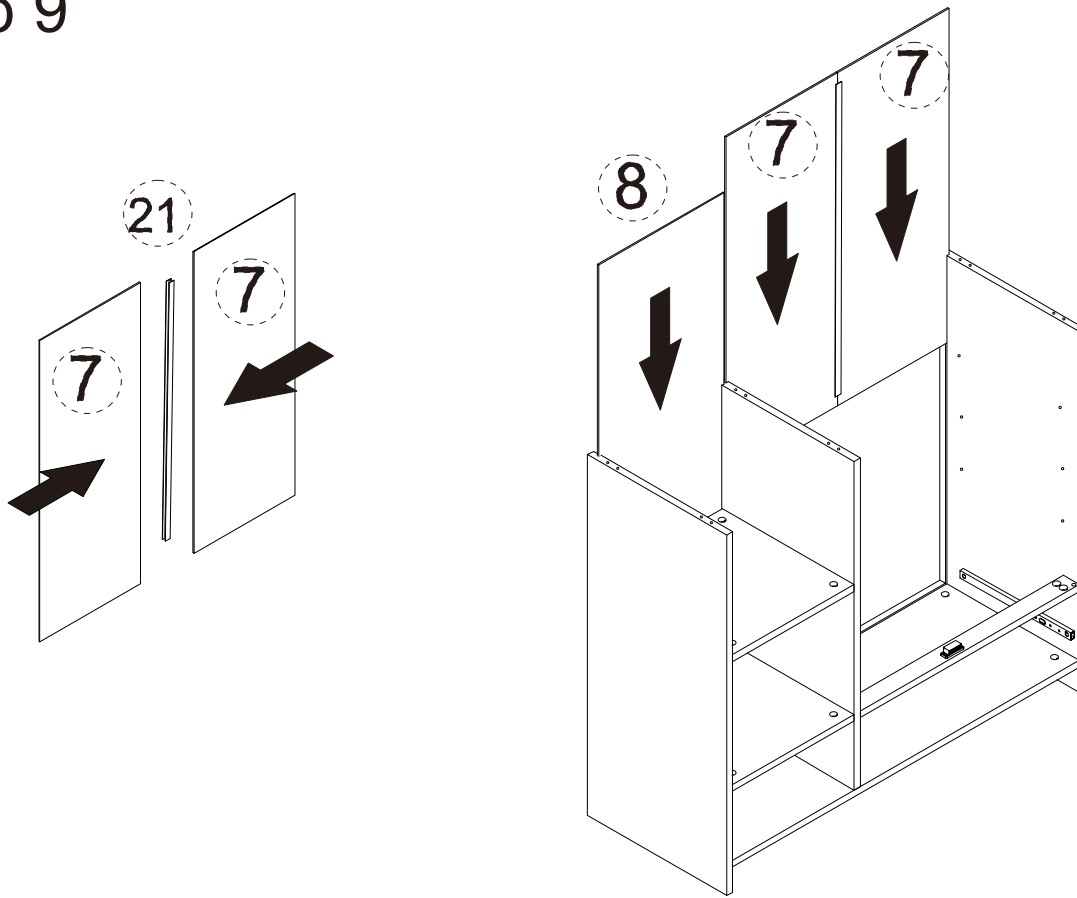


Ax7



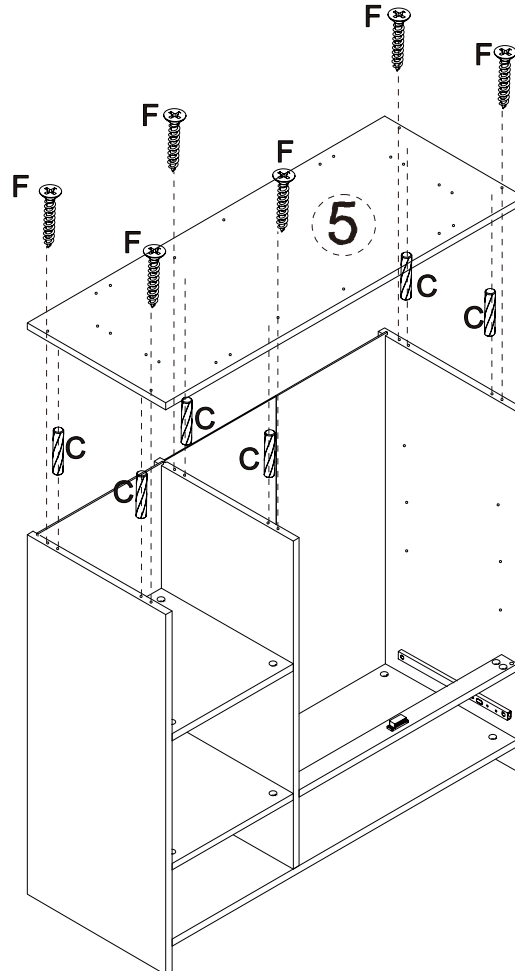
Cx7

Step 9



Insert Part 8 along the slots of 3&4
Connect Part 7 with 21 and insert them along the slots of 2&4

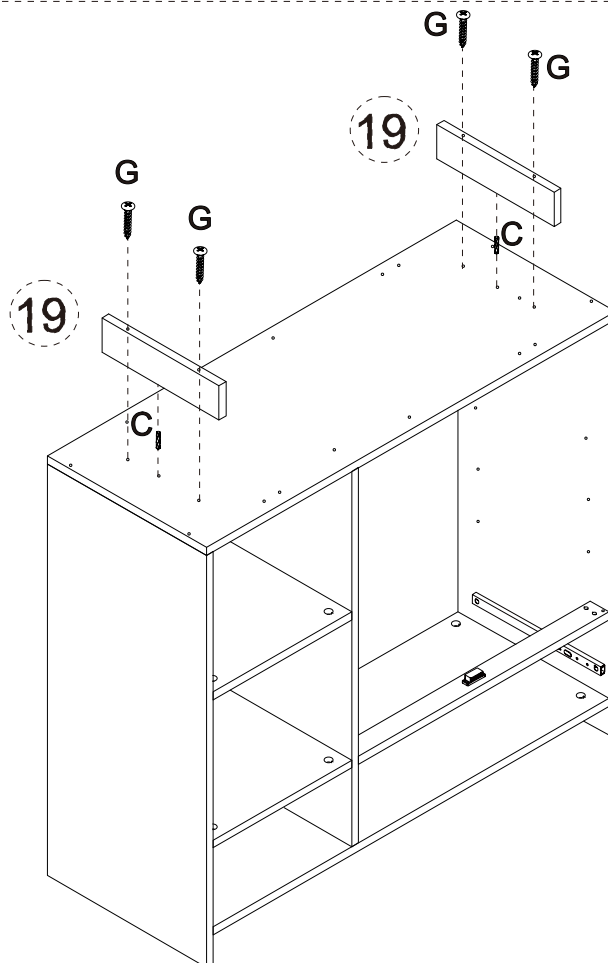
Step 10





Lock Part 5 to 2&4&3 with C&F (C first)



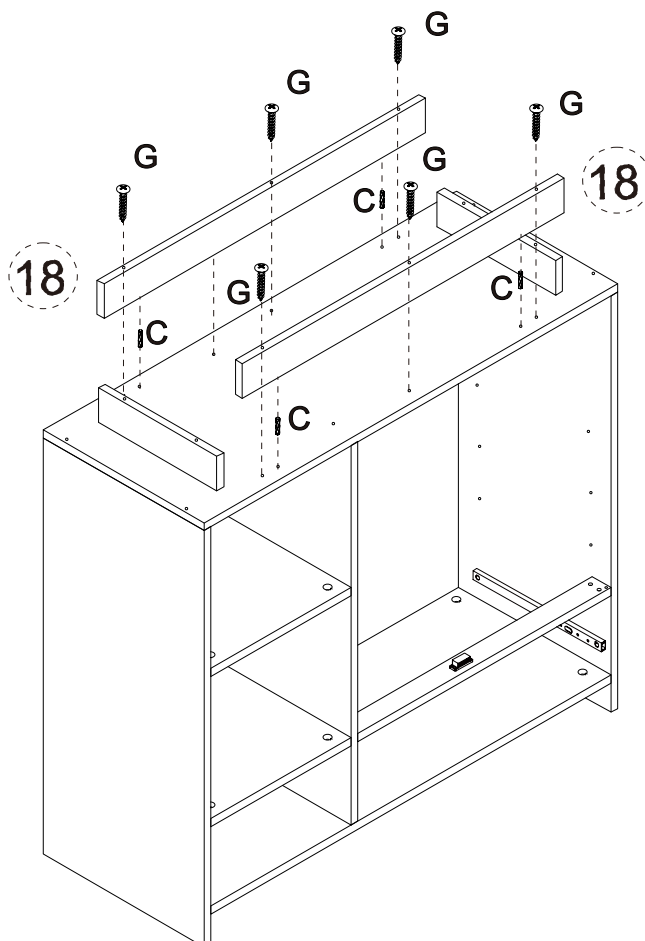
Step 11





Connect Part 19 to 5 with C&G (C first)

	Cx2
	Gx4

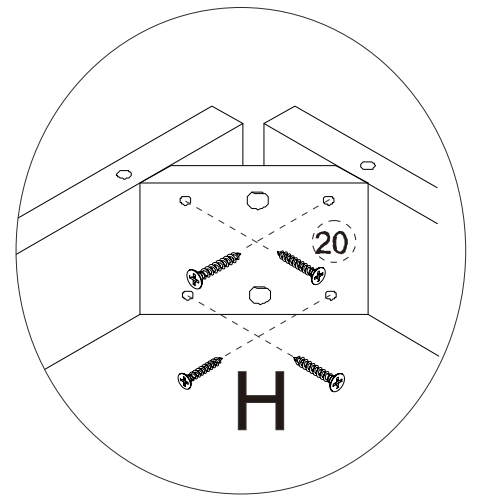
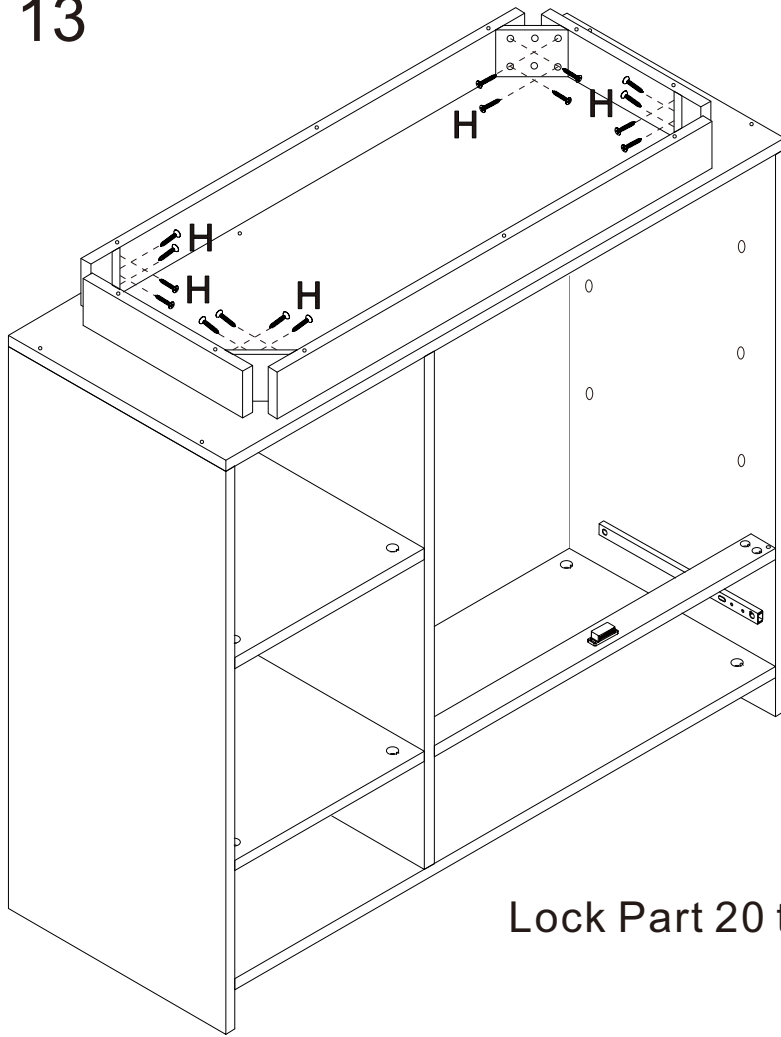
Step 12



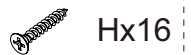
Connect Part 18 to 5 with C&G (C first)

	Cx4
	Gx6

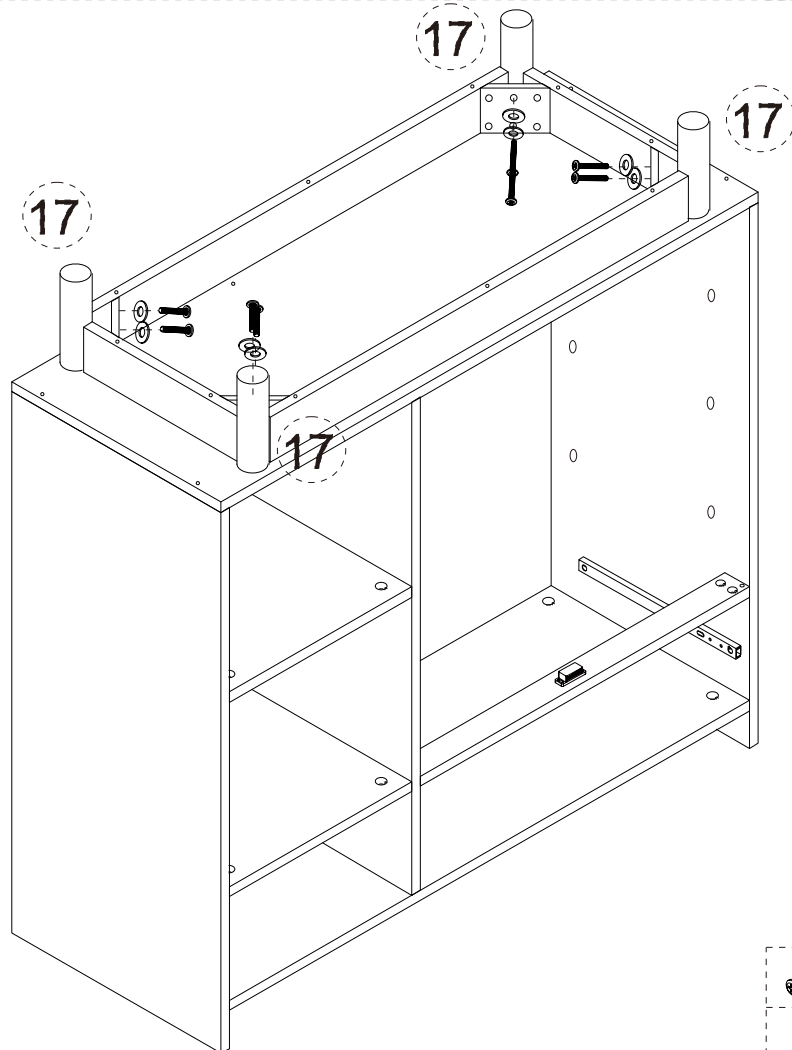
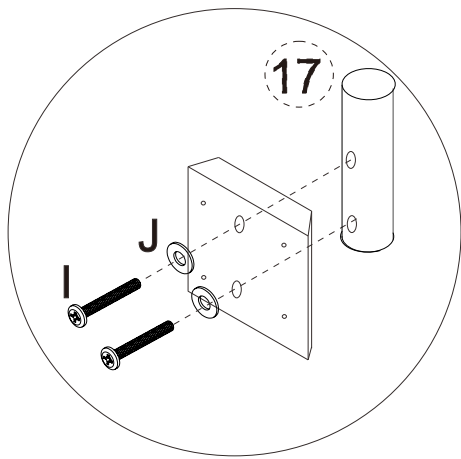
Step 13



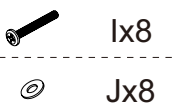
Lock Part 20 to 18&19 with Hardware H



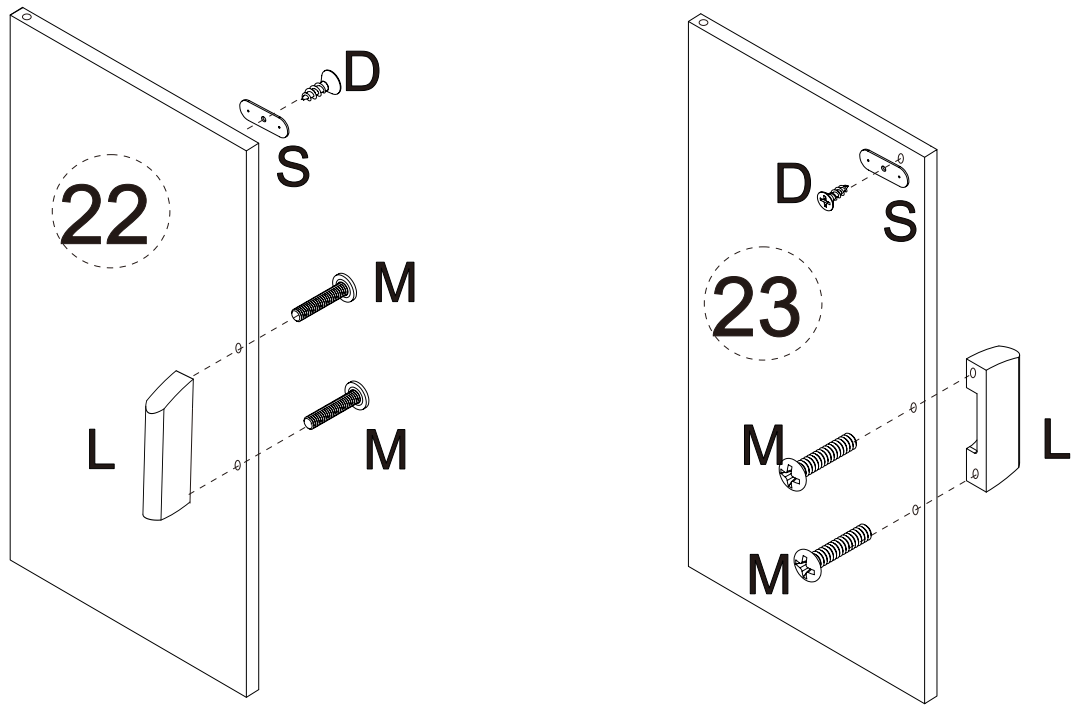
Step 14



Connect Part 17 to 20 with Hardware J&I

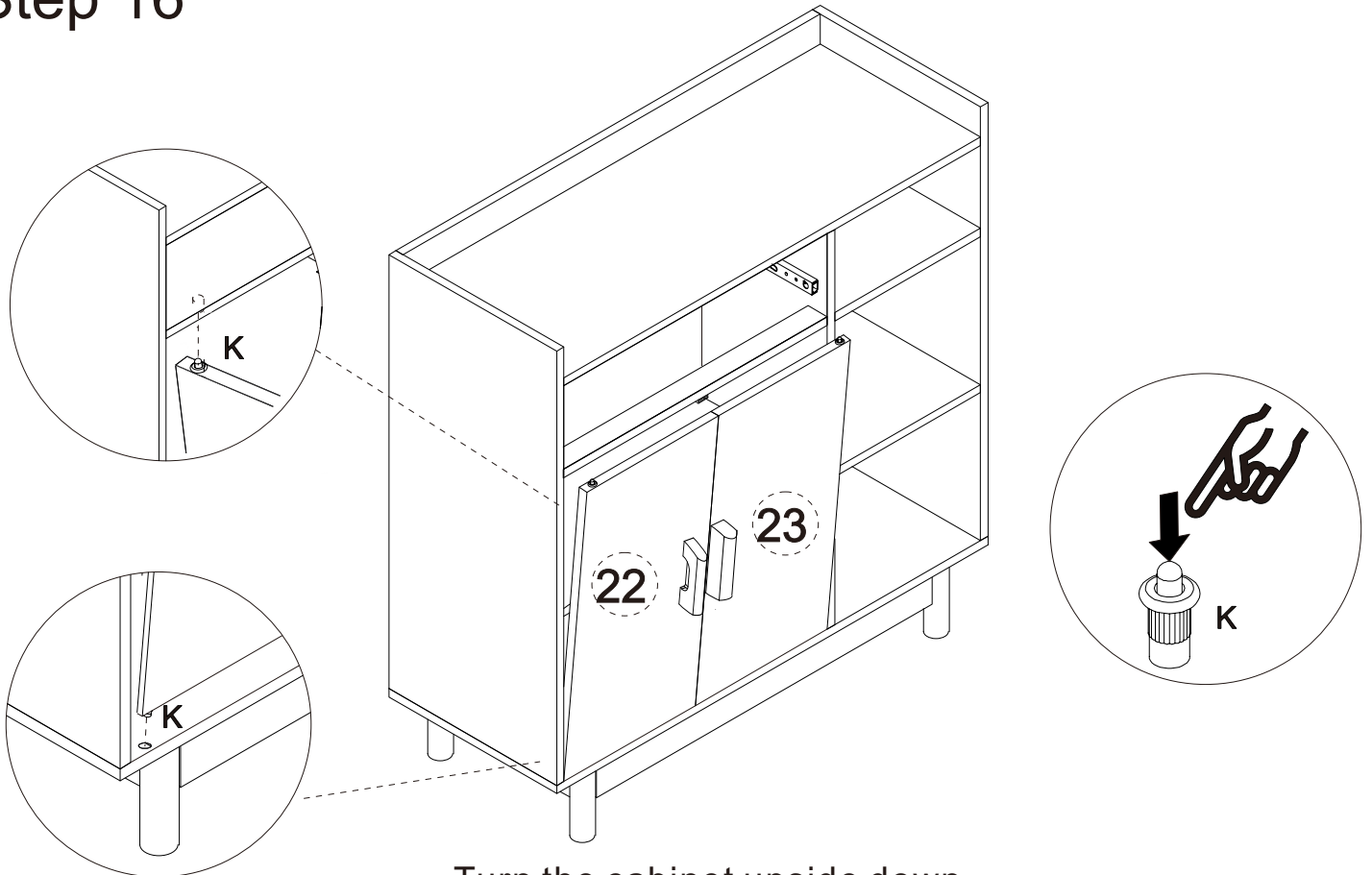


Step 15



Install Hardware L on Part 22&23 with M
Install Hardware S on Part 22&23 with D

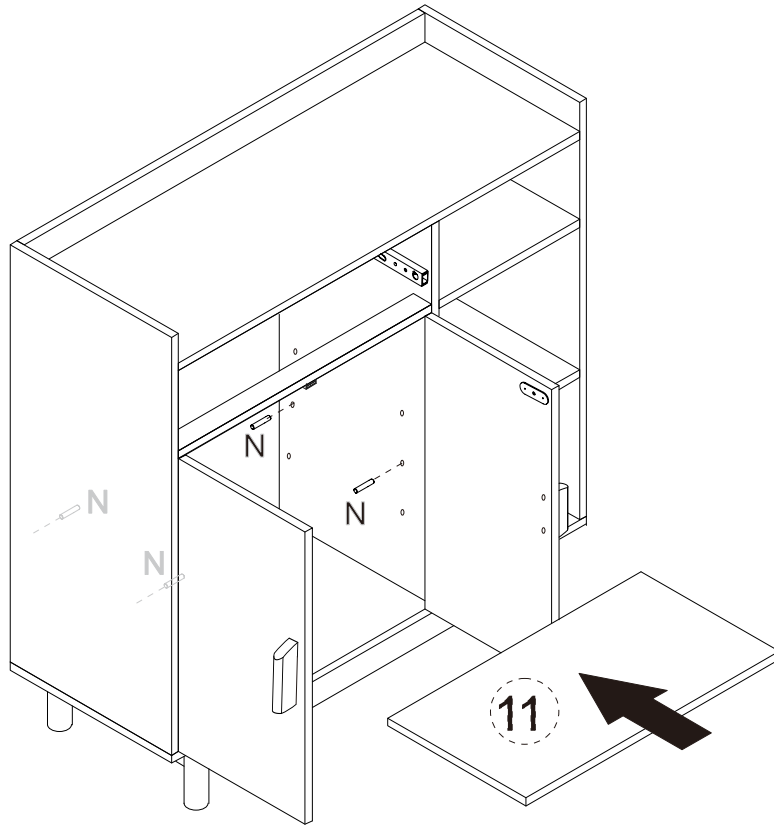
Step 16



Turn the cabinet upside down
Insert Hardware K into Part 22&23
Install Part 22&23 to the cabinet frame

 Kx4

Step 17

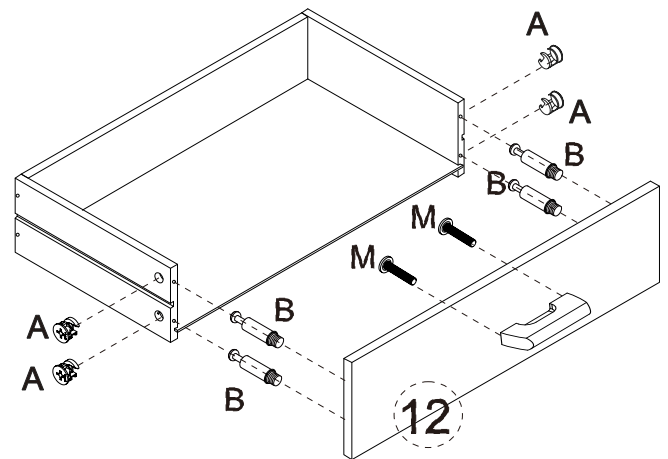
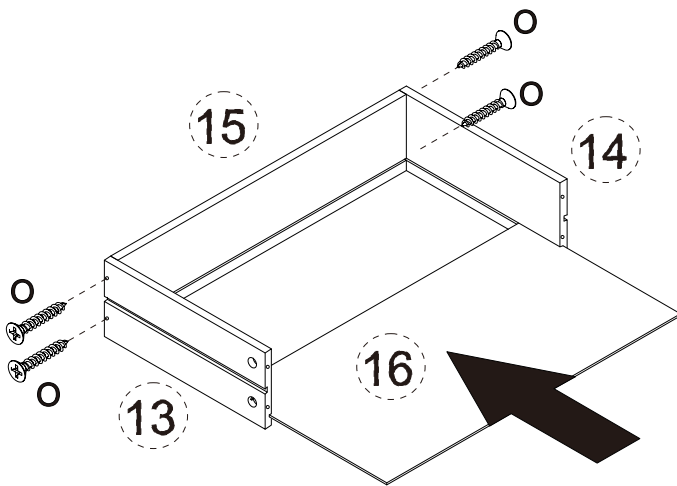


Insert Hardware N into Part 2&4 and place 11 on N



Nx4

Step 18



Connect Part 15 to 13&14 with Hardware O
 Insert Part 16 along the slots of 13&14
 Install Hardware L to Part 12 with M and connect
 12 to 13&14 with B&A



Lx1



Ax4



Mx2

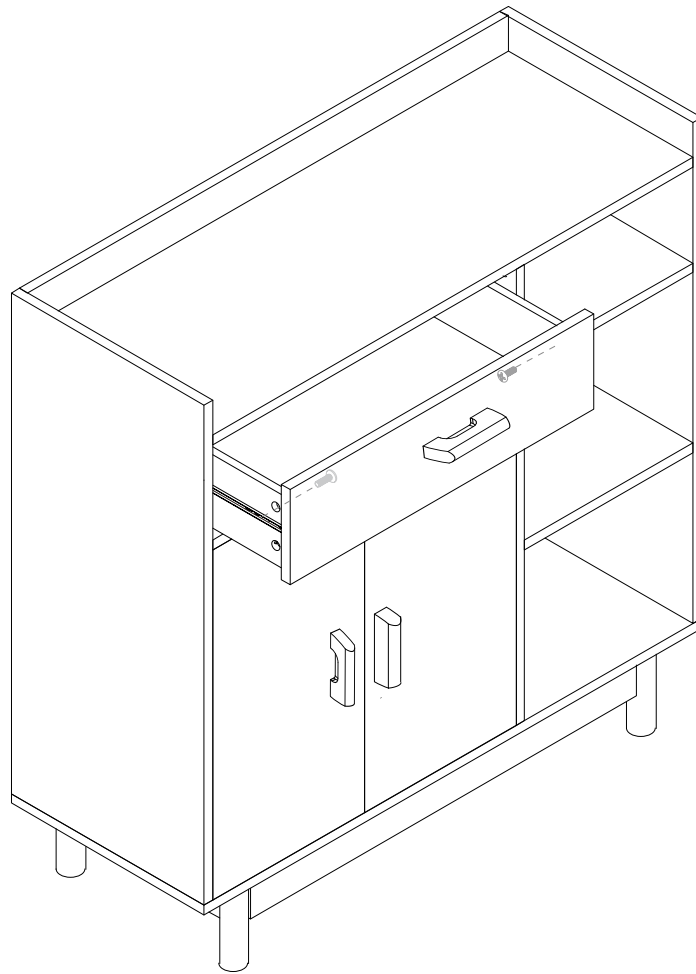
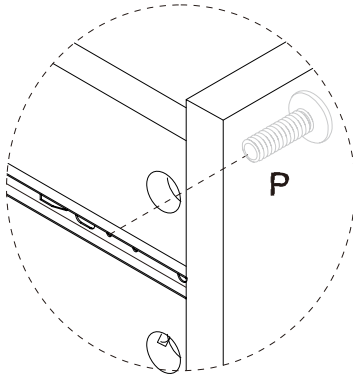


Bx4



Ox4

Step 19



Attach drawers to slides E with Hardware P



Px2