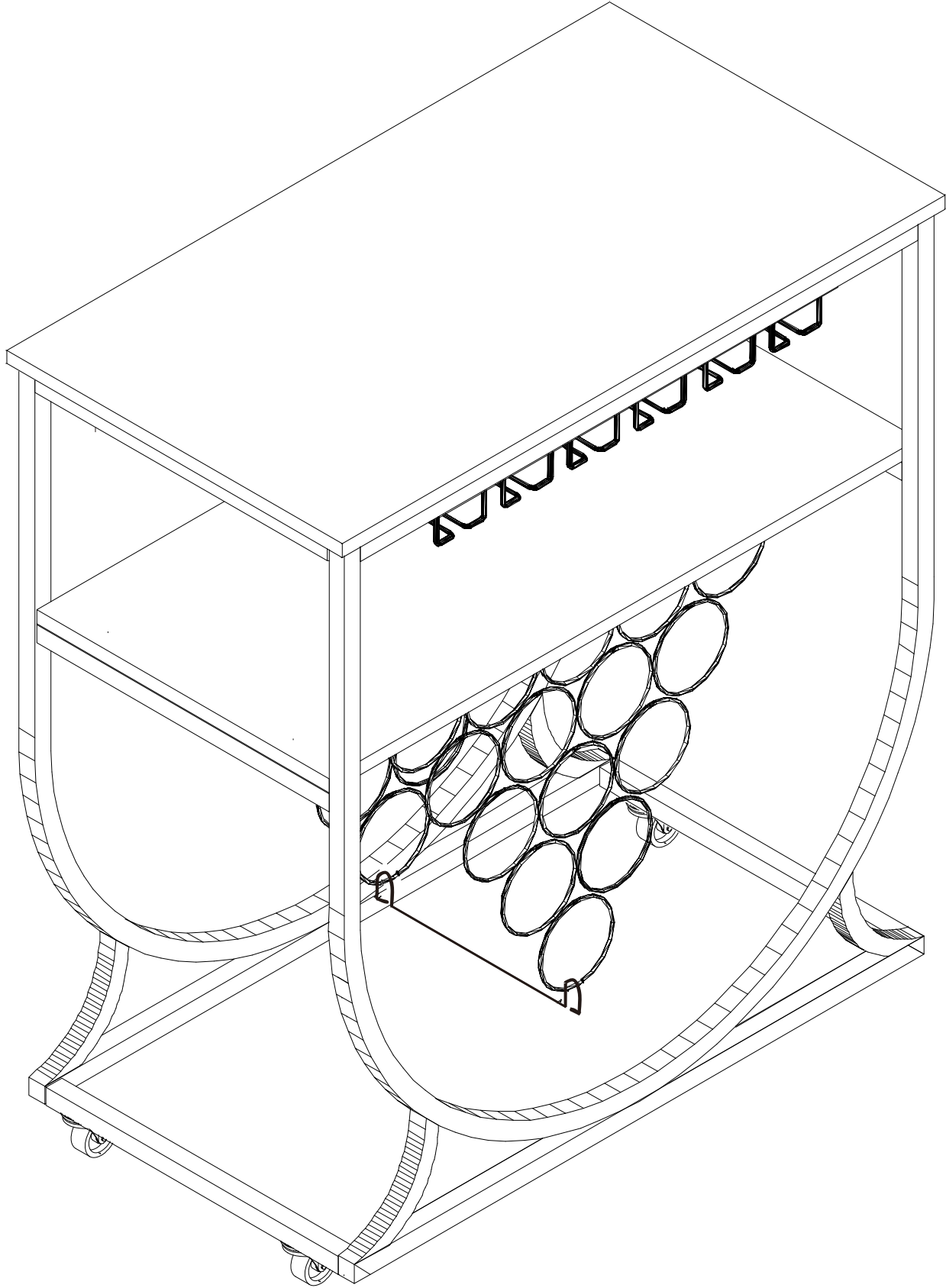
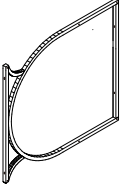
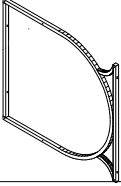
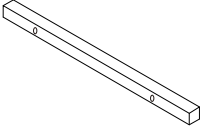
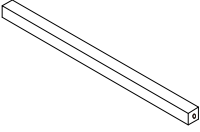
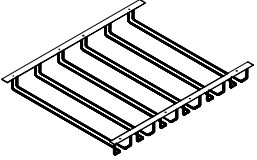
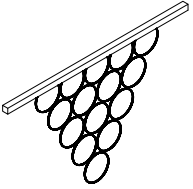
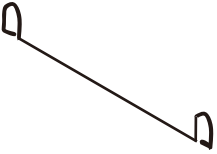
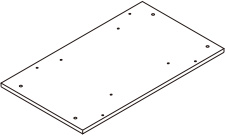
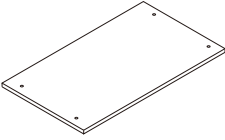
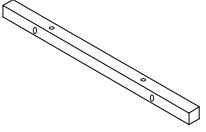


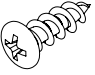
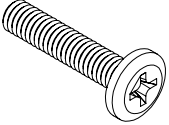
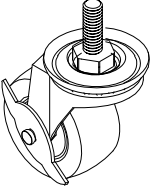
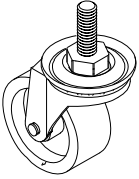
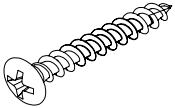
WI10303



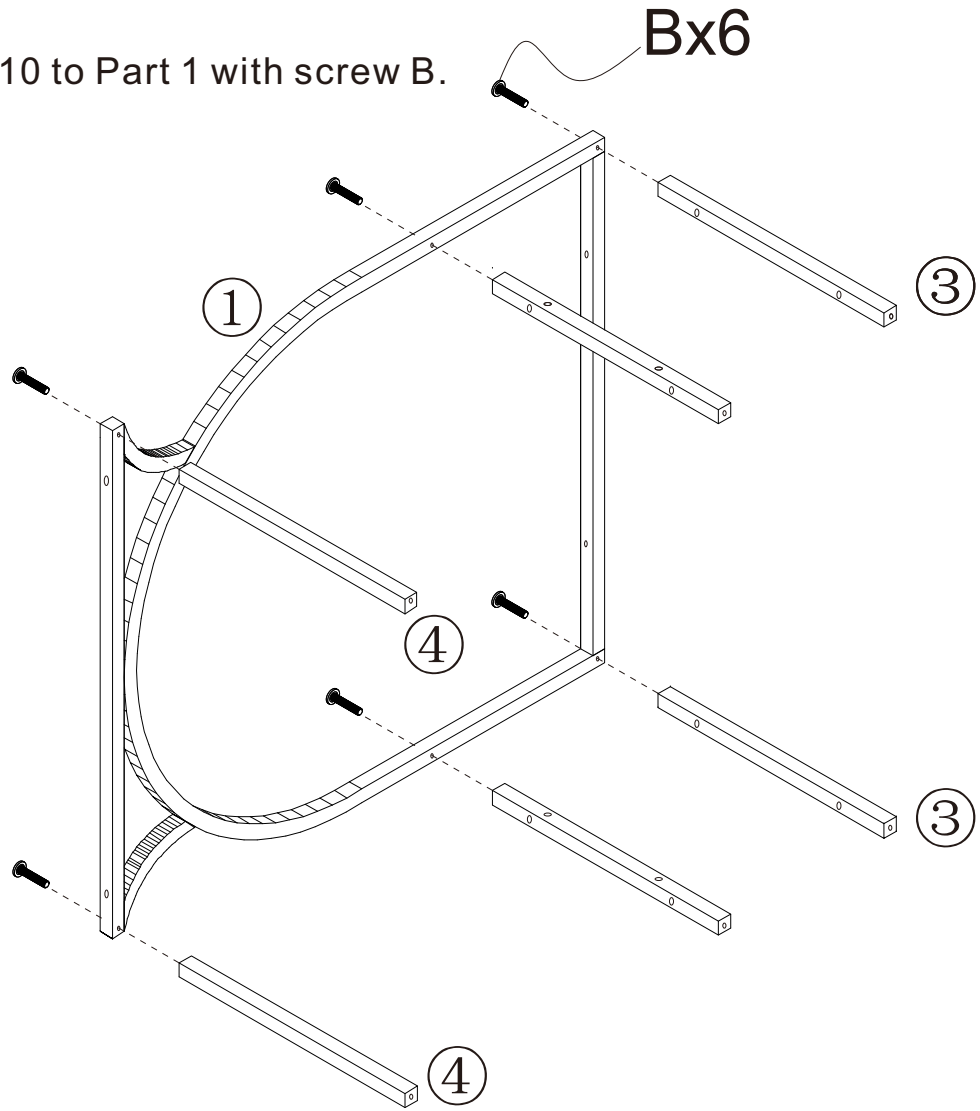
Parts List

① = 1PC	② = 1PC	③ = 2PCS	④ = 2PCS	⑤ = 1PC
				
⑥ = 2PC	⑦ = 1PC	⑧ = 1PC	⑨ = 1PC	⑩ = 2PCS
				

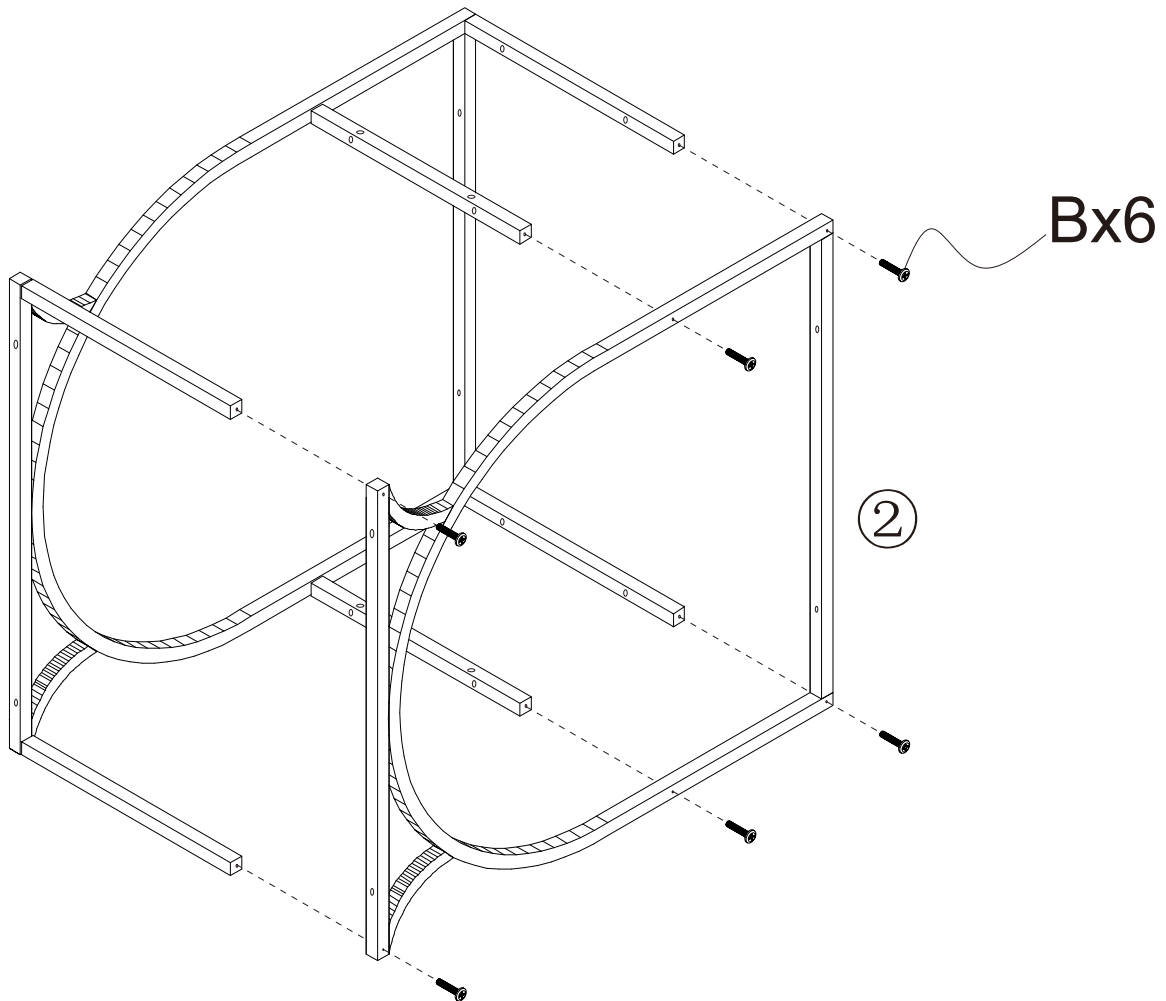
Hardware Included

A = 8PCS	B = 16PCS	C = 2PCS	D = 2PCS
			
E = 16PCS			
			

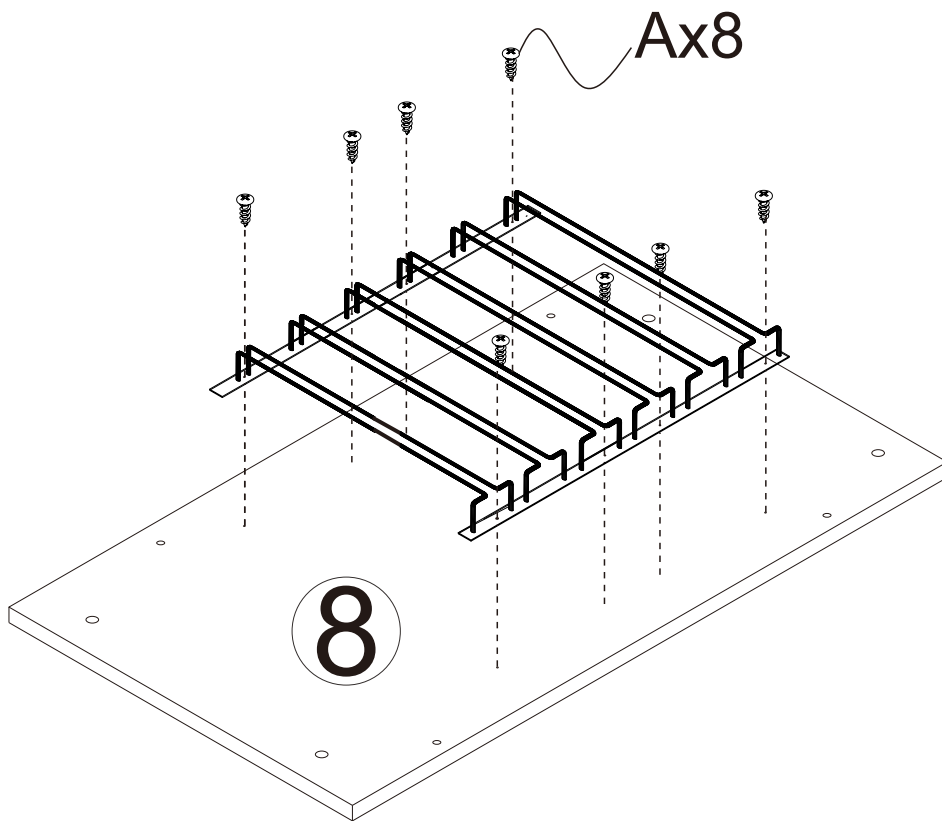
1 •Fix Part 3,4,and 10 to Part 1 with screw B.



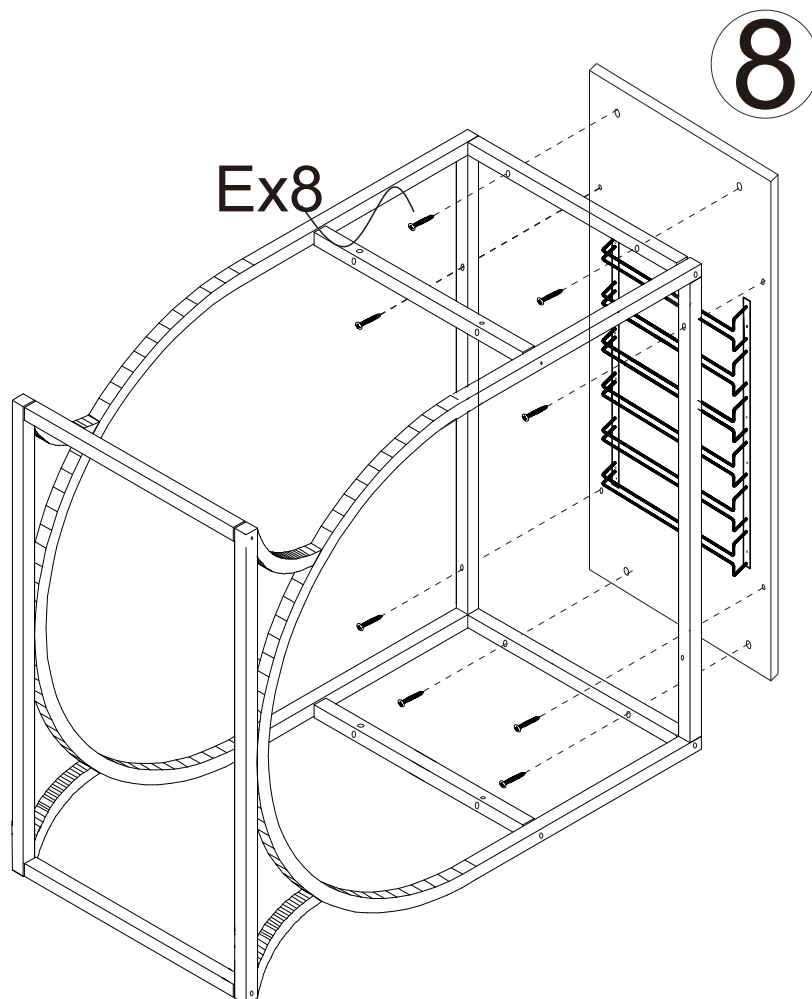
2 •Fix Part 2 to Part 3,4 and 10 with screw B.



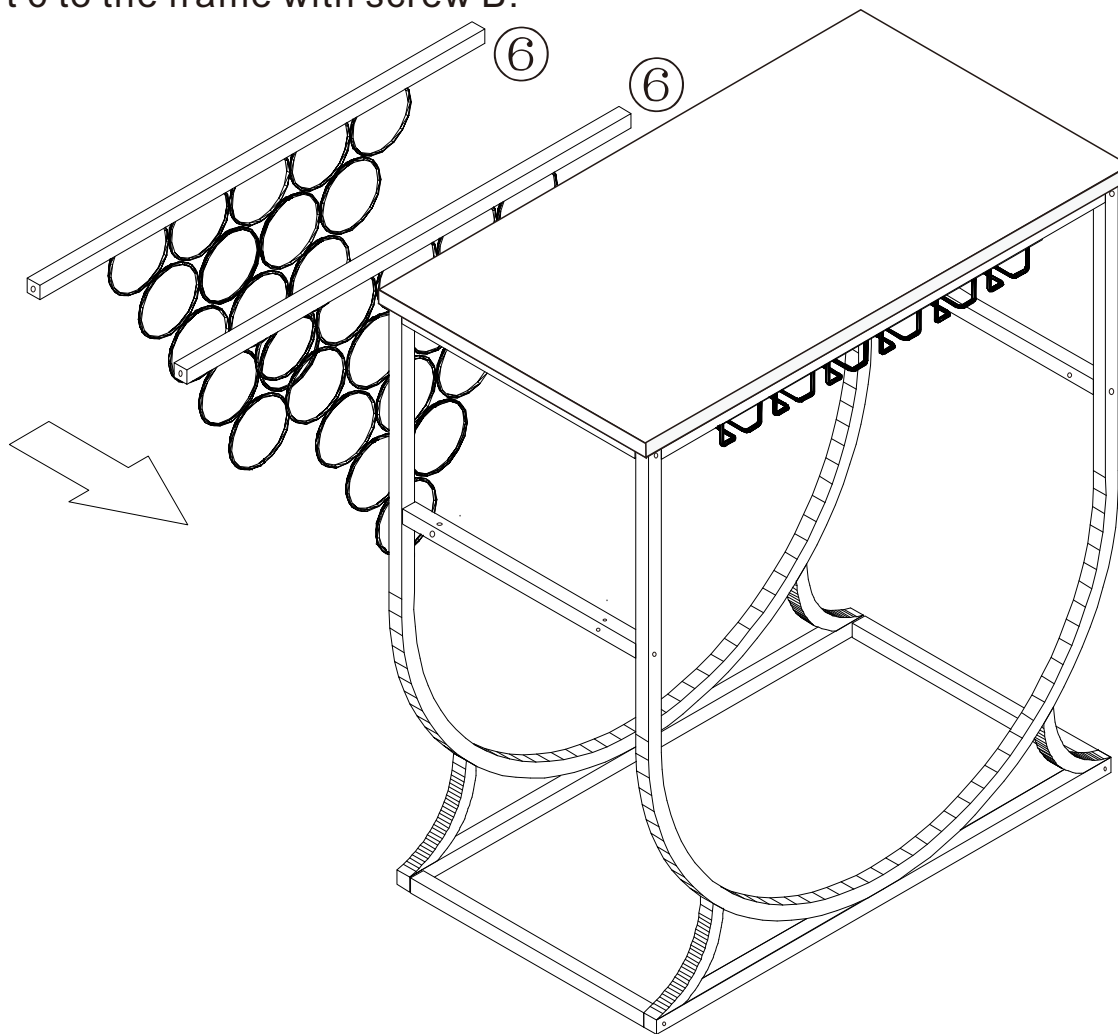
3 •Fix Part 5 to Part 8 with screw A.



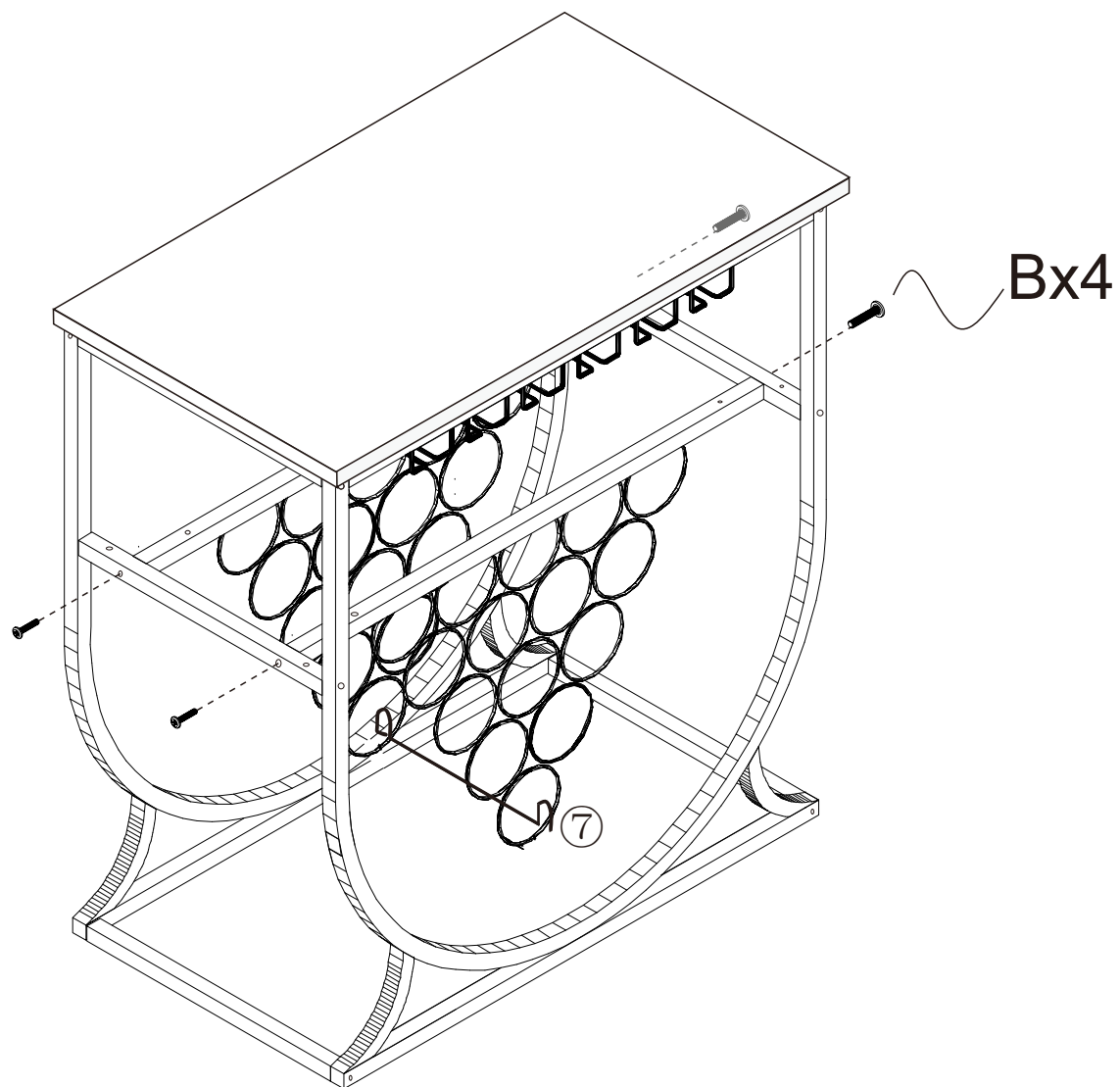
4 •Fix whole Part 8 to the frame with screw E.



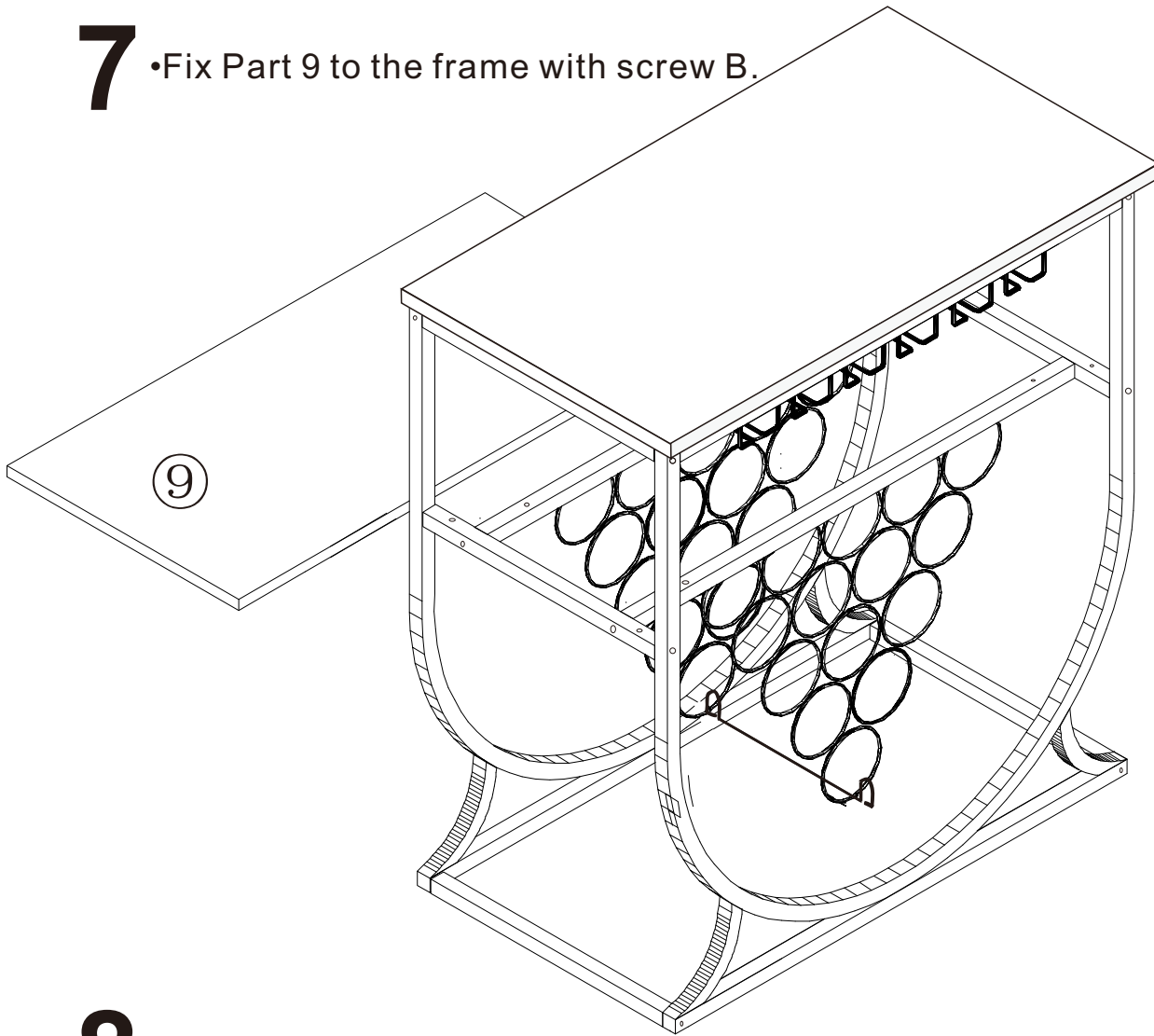
5 •Fix Part 6 to the frame with screw B.



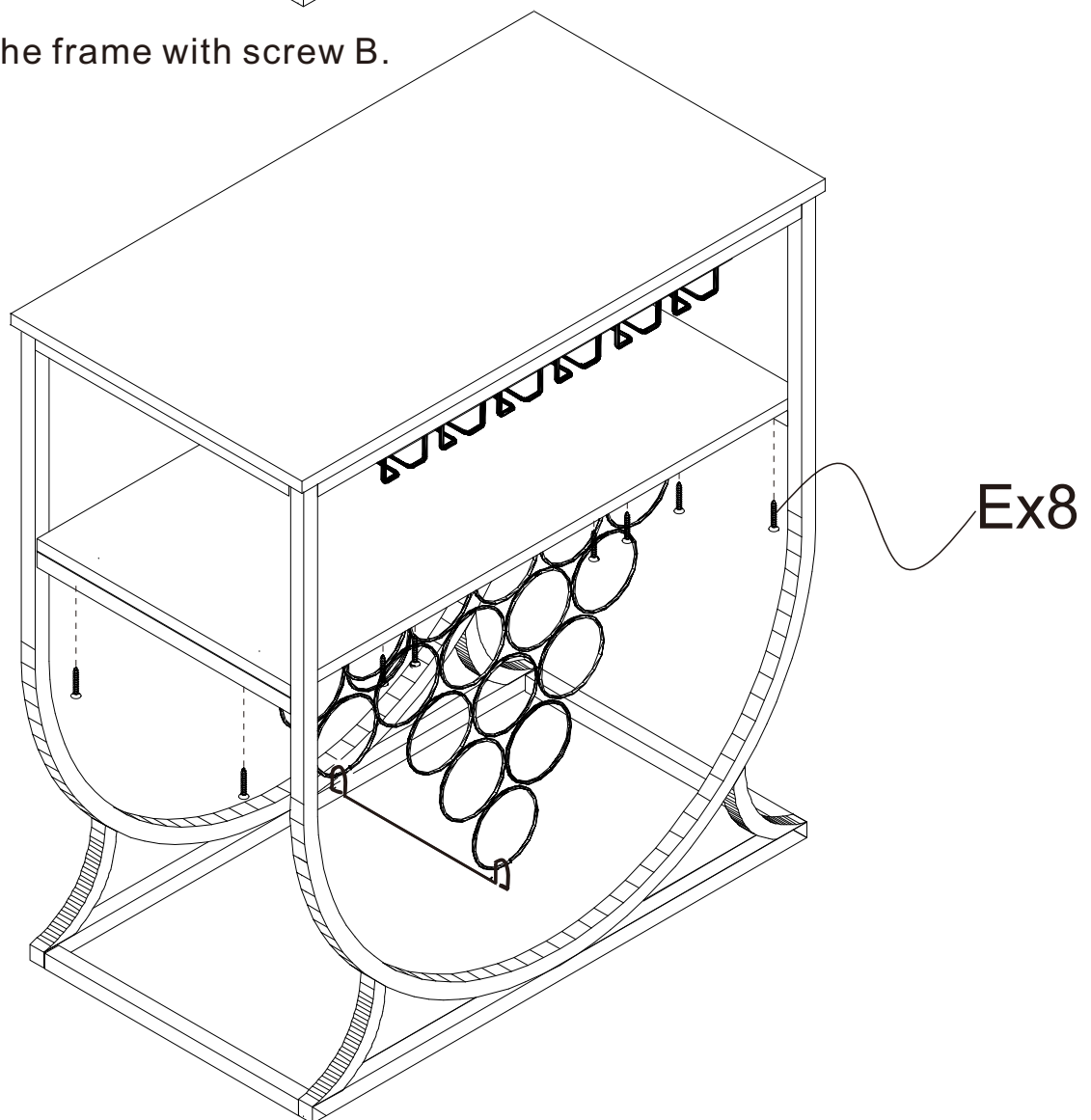
6 •Fix Part 6 to the frame with screw B.



7 •Fix Part 9 to the frame with screw B.



8 •Fix Part 9 to the frame with screw B.



9 •Screw hardware C and D to the bottom.

