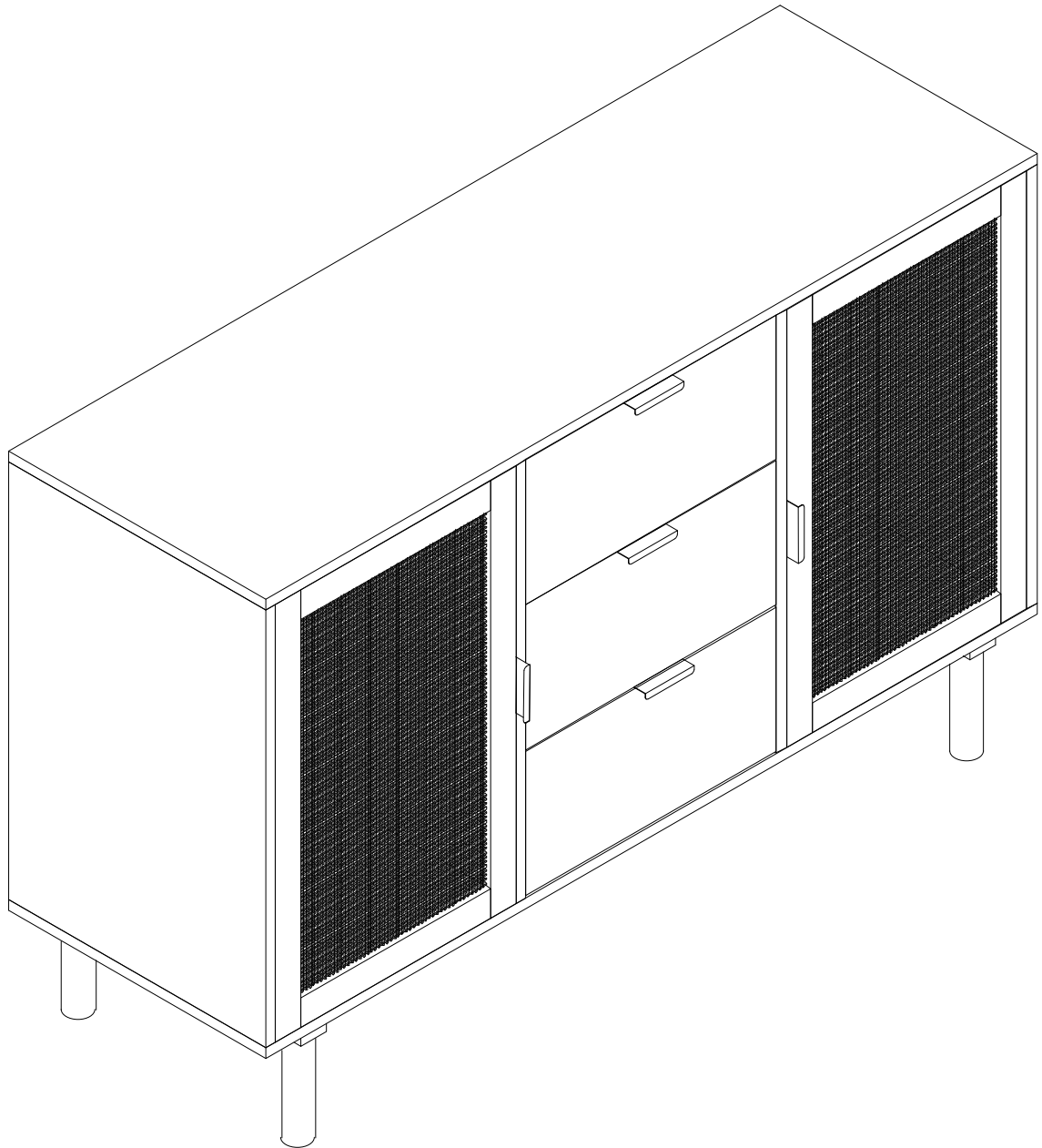
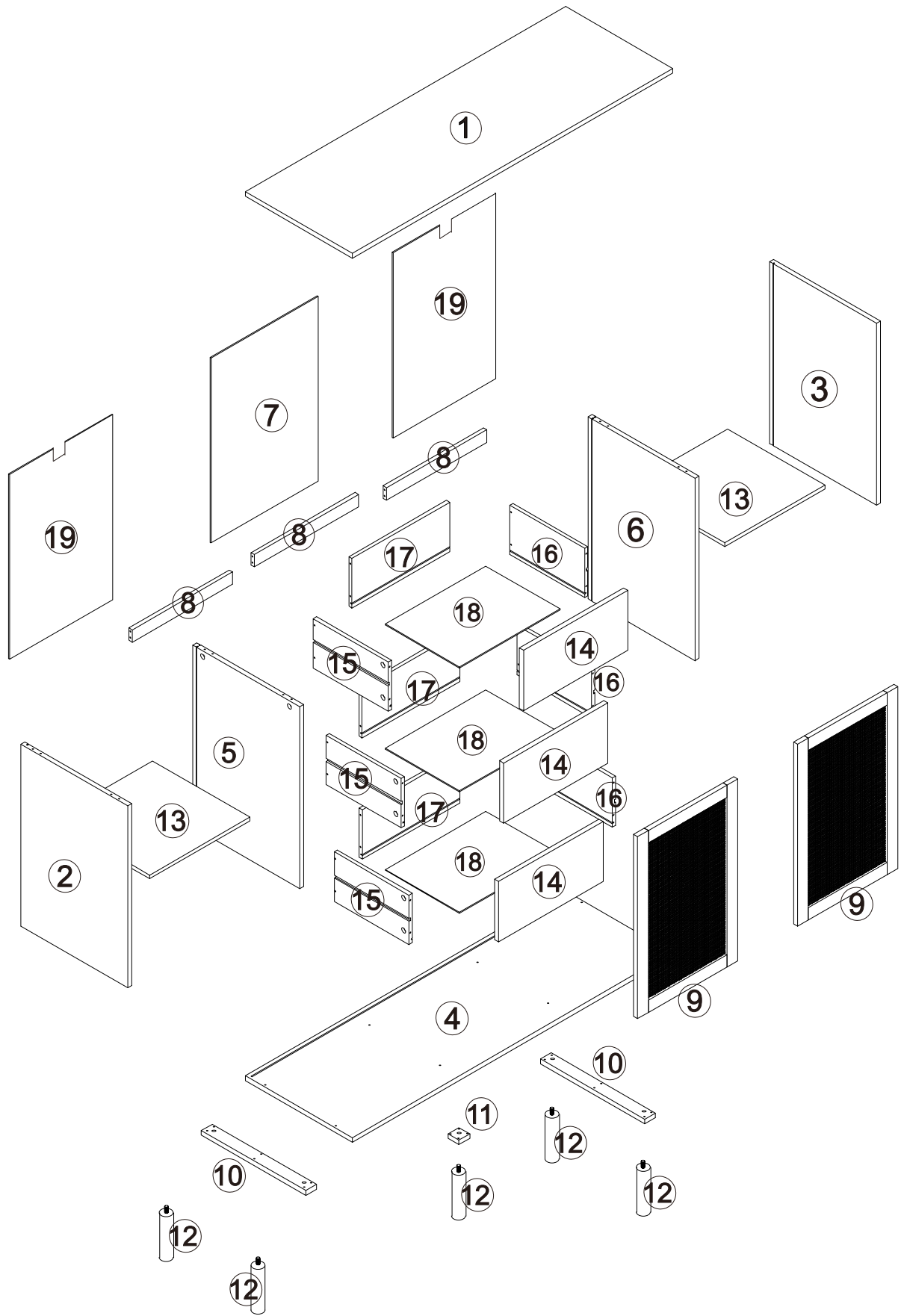
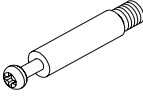
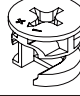

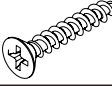
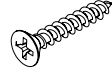



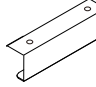
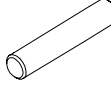
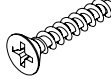
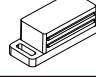
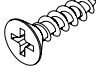
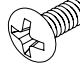
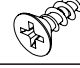
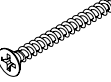
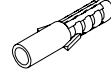


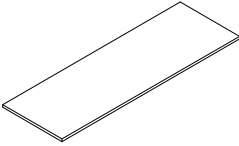
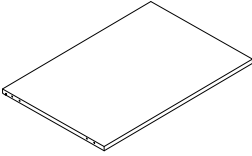
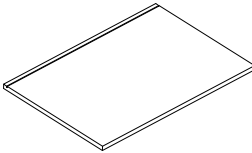
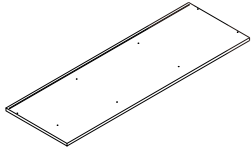
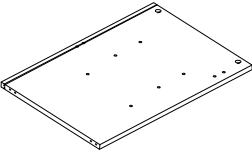
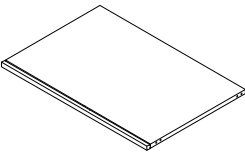
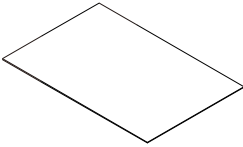
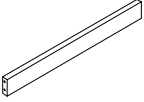
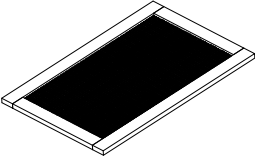
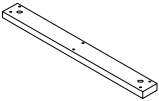
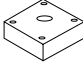
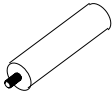
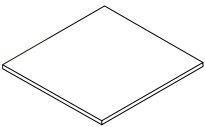
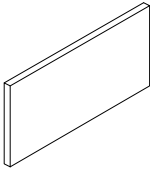
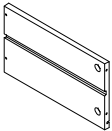
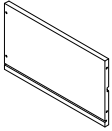
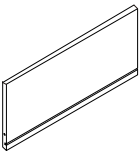
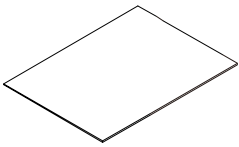
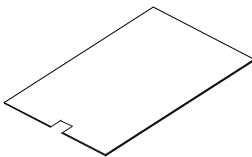


WI12938





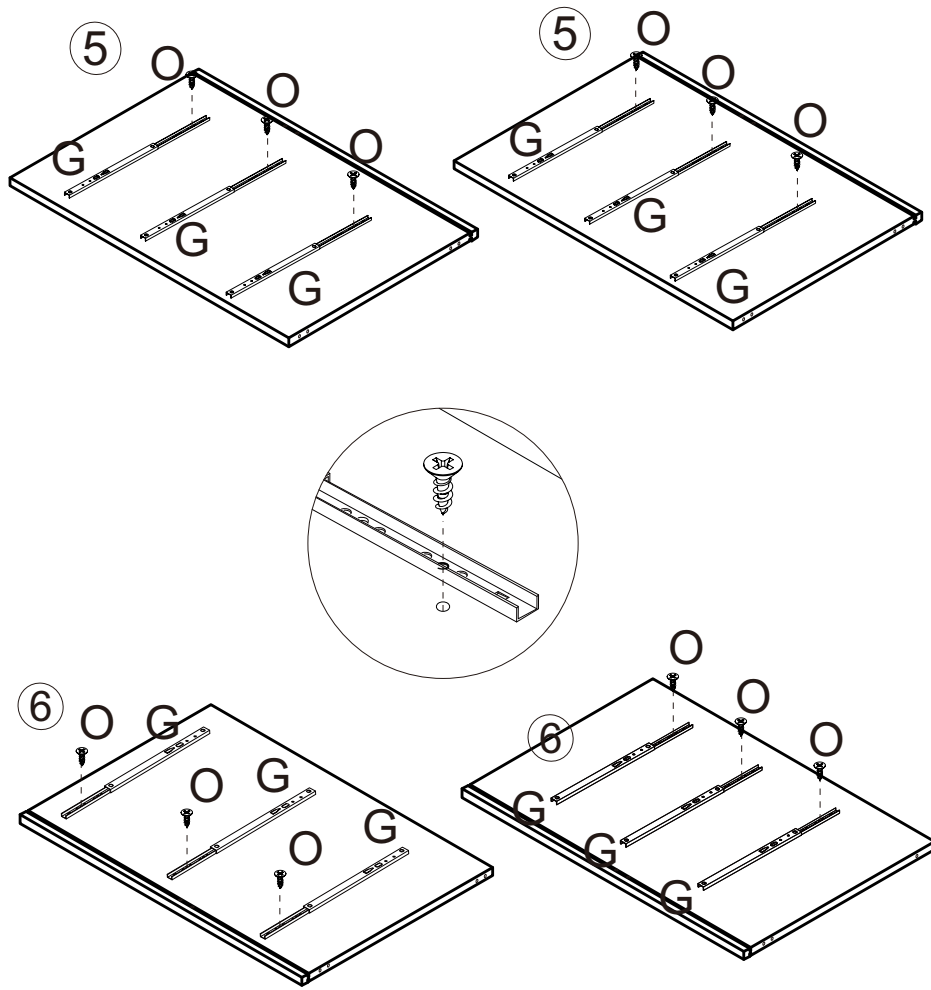
ITEM	PART		QTY
A	Cam Lock		32PCS
B	Cam Bolt		32PCS
C	Wooden Dowel		16PCS
D	Self-tapping Screw 4*35MM		8PCS
E	Self-tapping Screw 4*25MM		16PCS
F	Self-tapping Screw 4*14MM		16PCS
G	Drawer Slide		6PCS
H	Hinge		4PCS
I	Handel		5PCS
J	Metal Nail		8PCS
K	Self-tapping Screw 4*30MM		12PCS
L	Magnetic Door Closure		2PCS
M	Self-tapping Screw 3*14MM		4PCS
N	Button Head Bolt 4*10MM		6PCS
O	Self-tapping Screw 3*12MM		22PCS
P	Self-tapping Screw 4*40MM		2PCS
Q	Plastic Anchor		2PCS
R	Anti-topple Metal Plate		2PCS
S	Self-tapping Screw 5*12MM		2PCS

<p>①x1</p>  <p>Top Panel</p>	<p>②x1</p>  <p>Left Side Panel</p>	<p>③x1</p>  <p>Right Side Panel</p>	<p>④x1</p>  <p>Bottom Panel</p>
<p>⑤x1</p>  <p>Left Spacer Plate</p>	<p>⑥x1</p>  <p>Right Spacer Plate</p>	<p>⑦x1</p>  <p>Middle Back Panel</p>	<p>⑧x3</p>  <p>Back Apron</p>
<p>⑨x2</p>  <p>Cabinet Door</p>	<p>⑩x2</p>  <p>Leg Support Wood Slat</p>	<p>⑪x1</p>  <p>Leg Support Wood Block</p>	<p>⑫x5</p>  <p>Leg</p>
<p>⑬x2</p>  <p>Movable Shelf</p>	<p>⑭x3</p>  <p>Front Drawer Panel</p>	<p>⑮x3</p>  <p>Left Drawer Side Panel</p>	<p>⑯x3</p>  <p>Right Drawer Side Panel</p>
<p>⑰x3</p>  <p>Back Drawer Panel</p>	<p>⑱x3</p>  <p>Bottom Drawer Panel</p>	<p>⑲x2</p>  <p>Back Panel (Left and Right)</p>	

Carton1:Part ① ④ ⑦ ⑧ ⑨ ⑩ ⑪ ⑬ ⑱

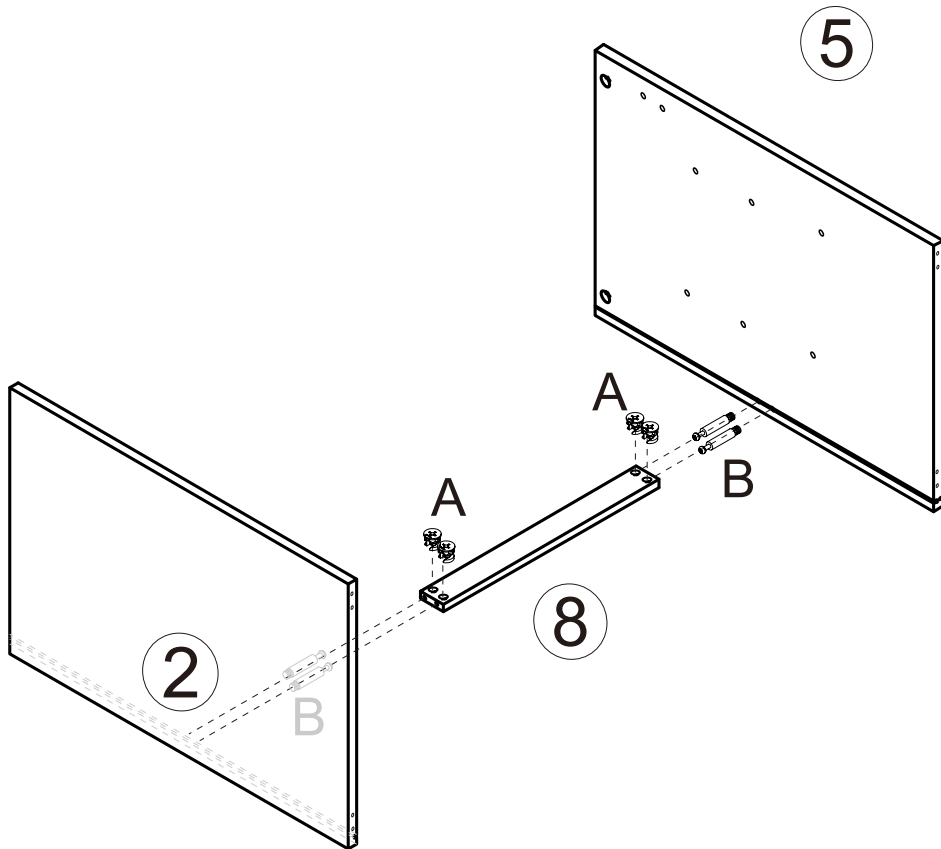
Carton2:Part ② ③ ⑤ ⑥ ⑫ ⑭ ⑮ ⑯ ⑰

Step 1



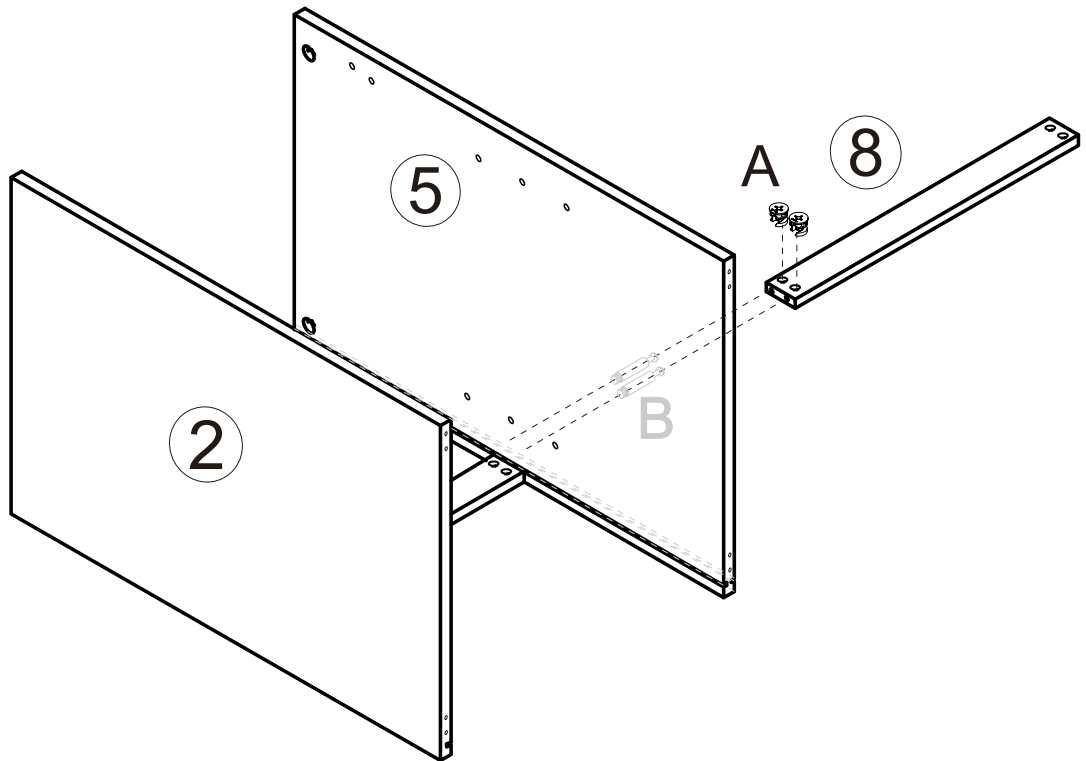
Stretch Hardware G and fix it to Part 5 with O

Step 2



Connect Part 8 to 2&5 with Hardware B&A

Step 3



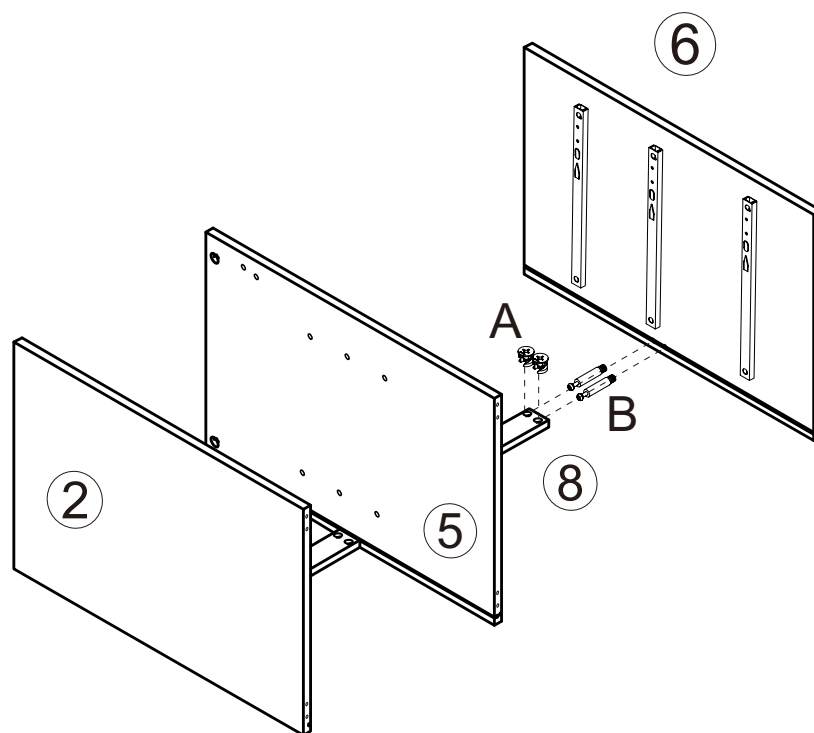
Ax2



Bx2

Connect another Part 8 to 5 with Hardware B&A

Step 4



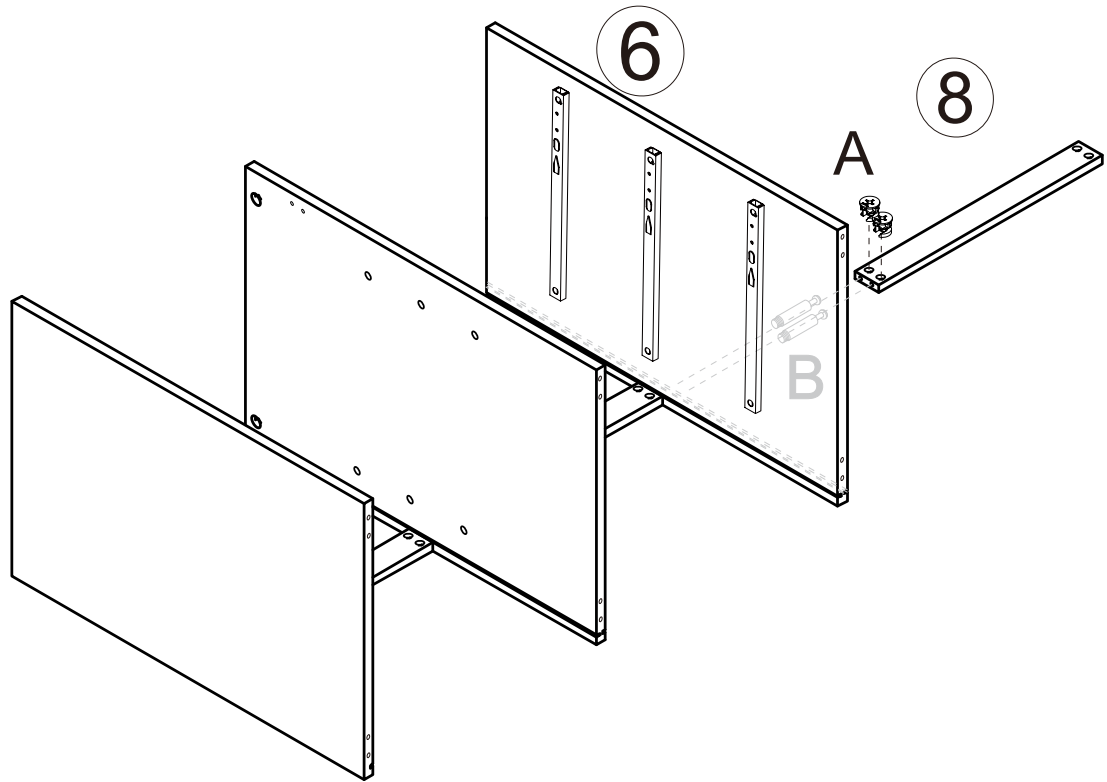
Ax2



Bx2

Connect Part 6 to 8 with Hardware B&A

Step 5

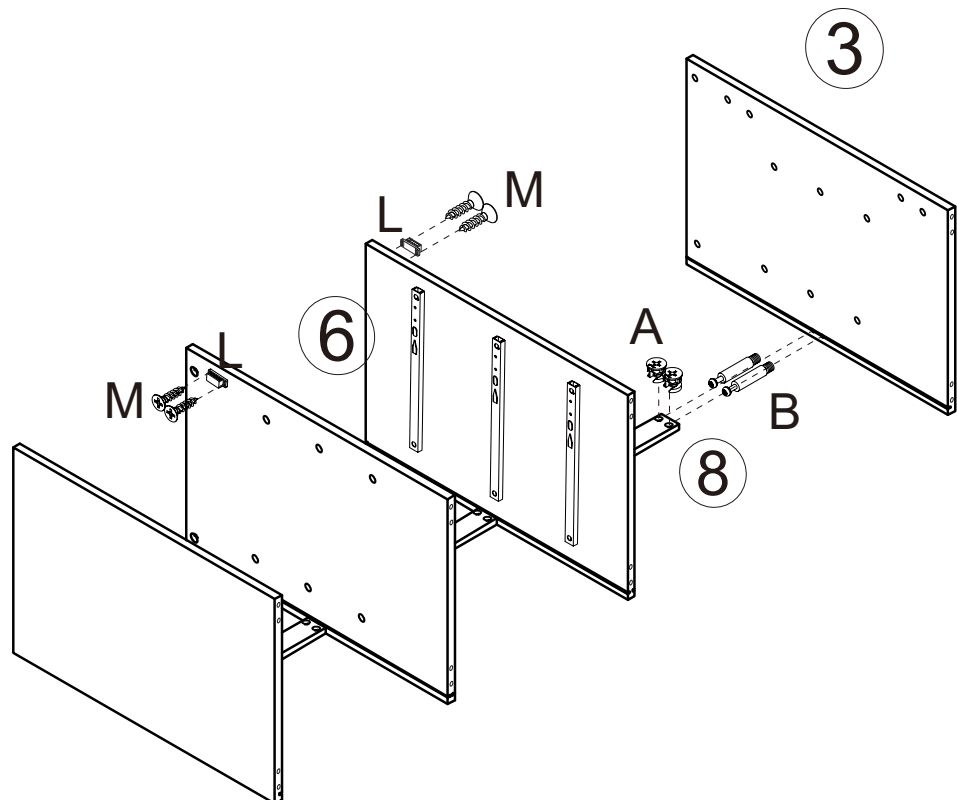


Connect Part 8 to 6 with Hardware B&A

 Ax2

 Bx2

Step 6



Fix Hardware L to Panel 6 with M
Connect Part 3 to 8 with Hardware B&A

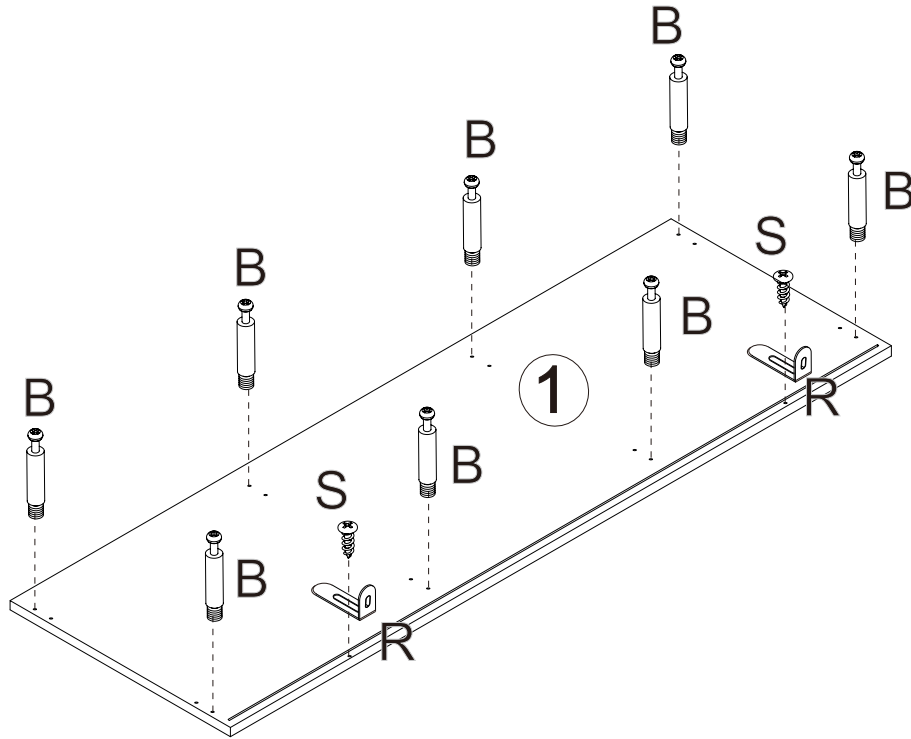
 Ax2




 Lx2

 Bx2

 Mx4

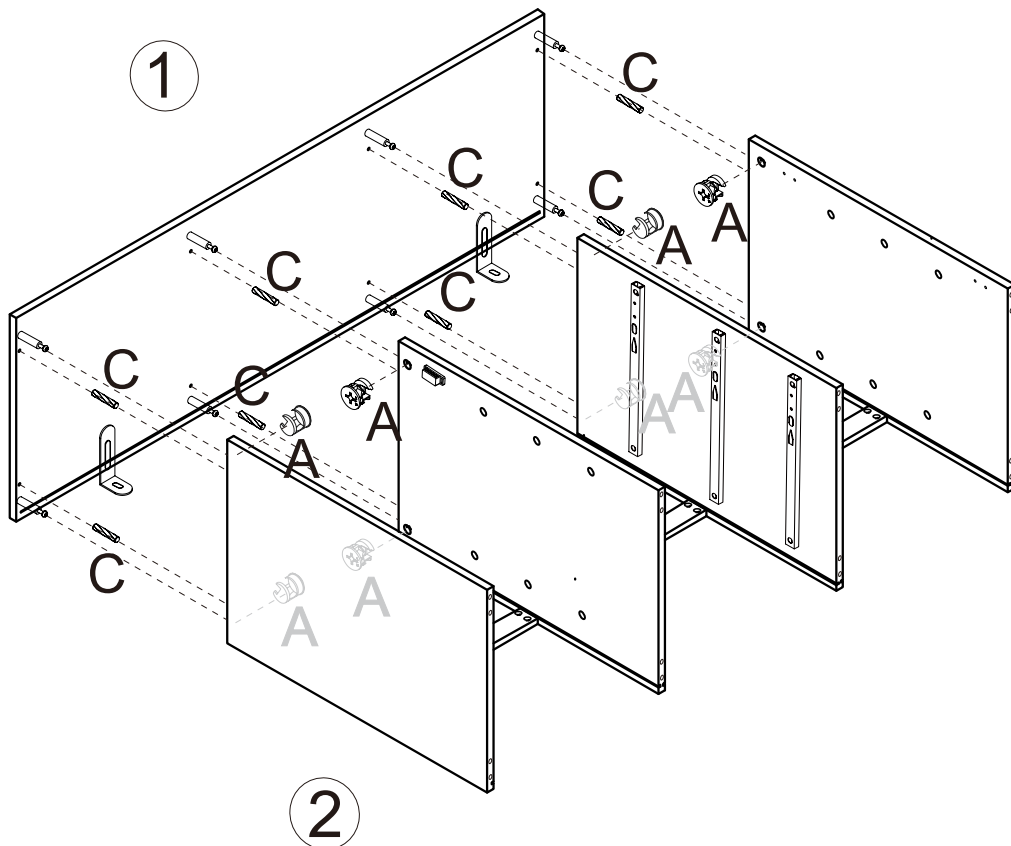
Step 7





	Bx8
	Rx2
	Sx2

Fix Hardware B to Part 1
Fix Hardware R to Part 1 with S

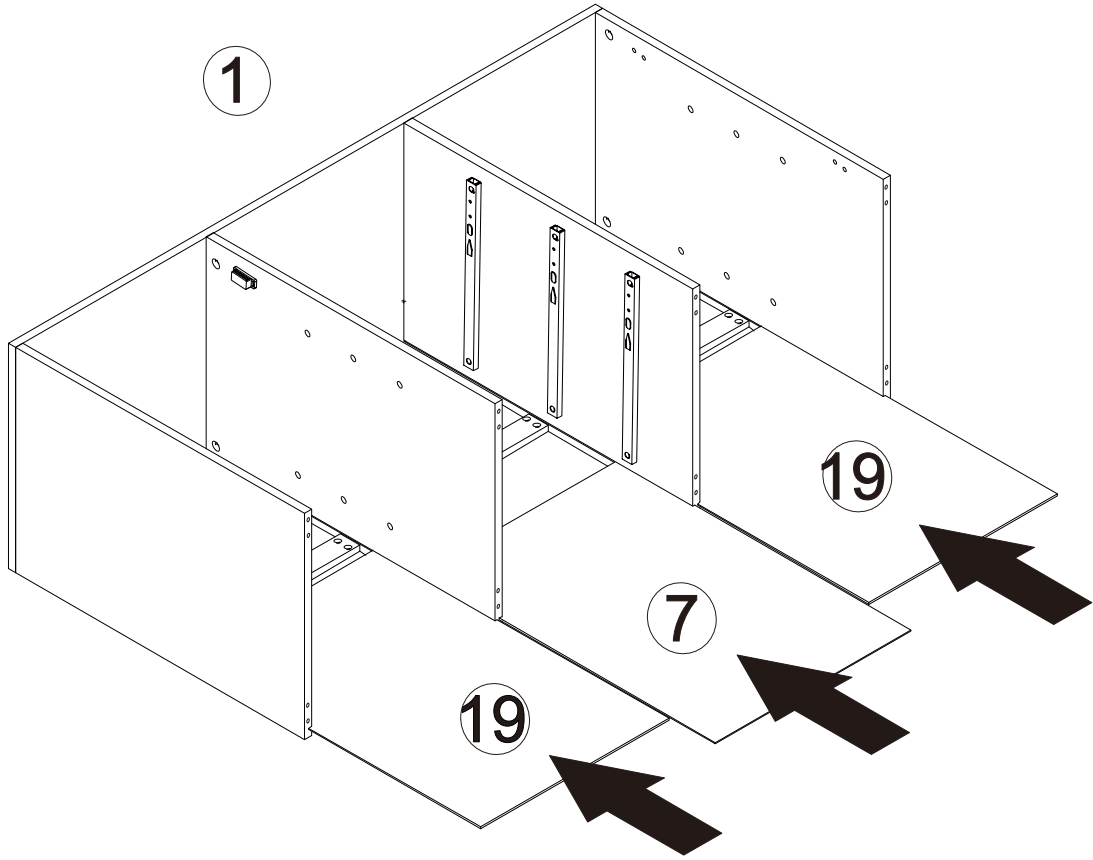
Step 8



	Ax8
	Cx8

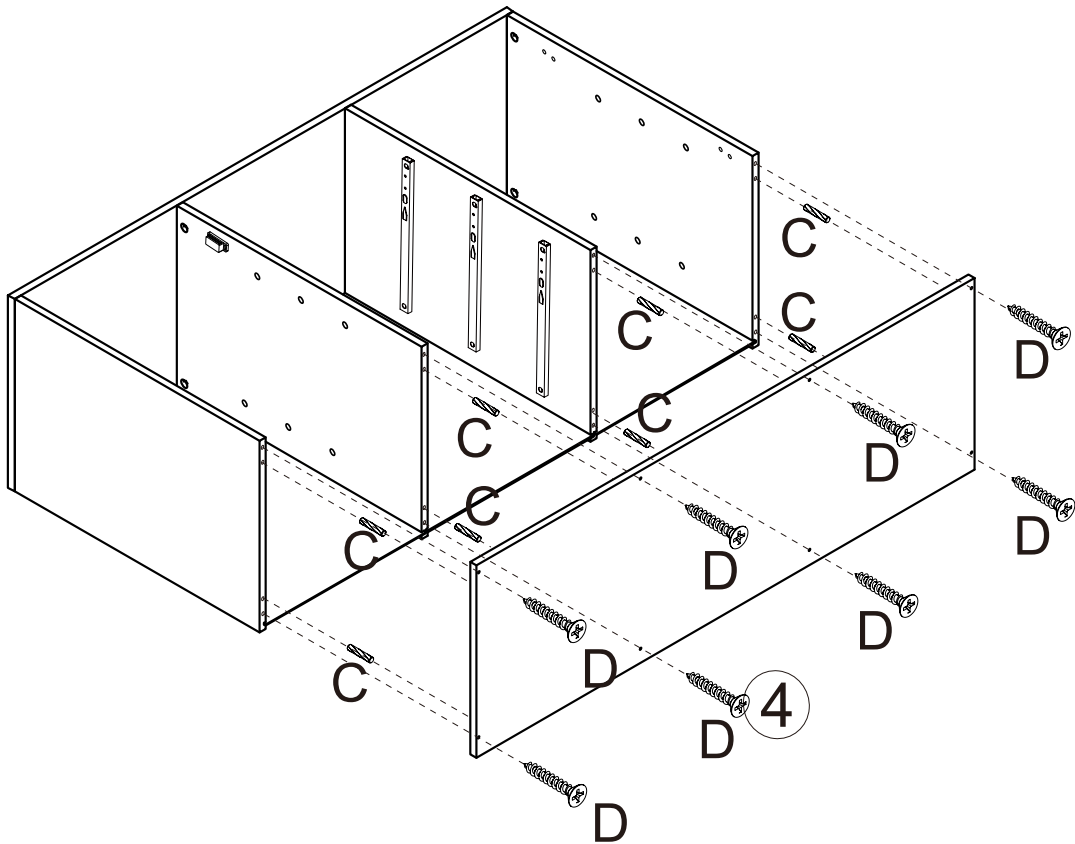
Lock Part 1 to 2&5&3&6 with Hardware C&A
(Insert C into 2&5&3&6 first)

Step 9



Insert Part 19&7 along the slots of 2&5&3&6 (As shown in the picture)

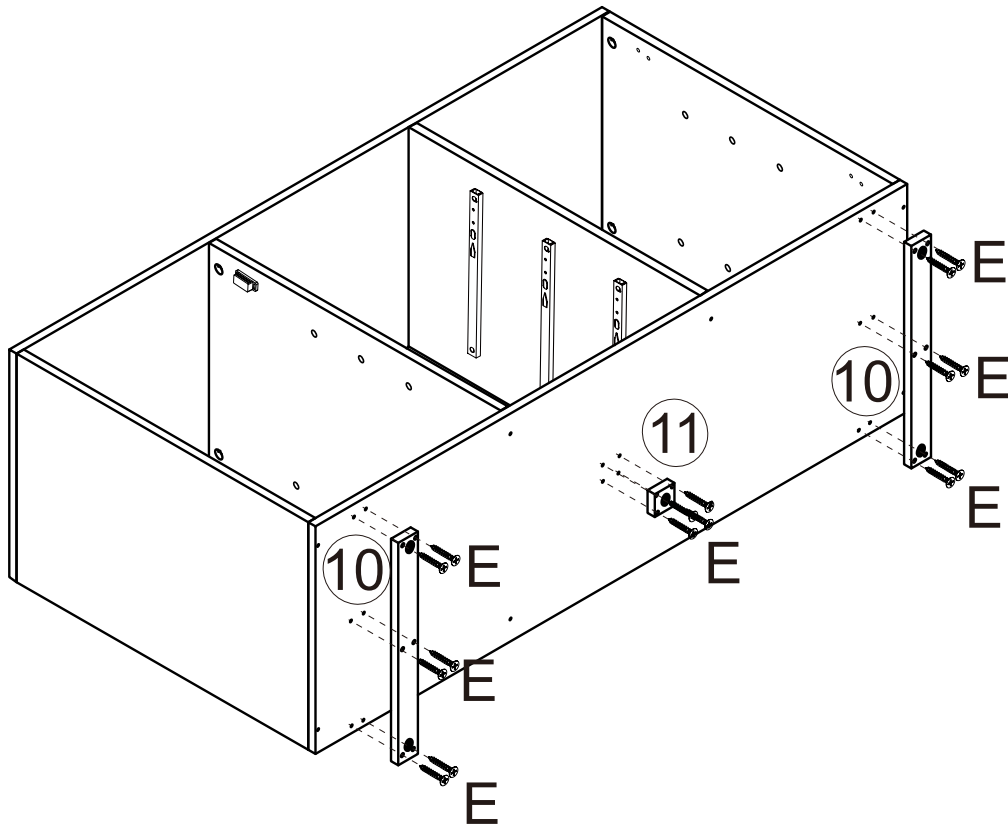
Step 10



	Cx8
	Dx8

Lock Part 4 to 2&5&3&6 with Hardware C&D
(Insert C into 2&5&3&6 first)

Step 11

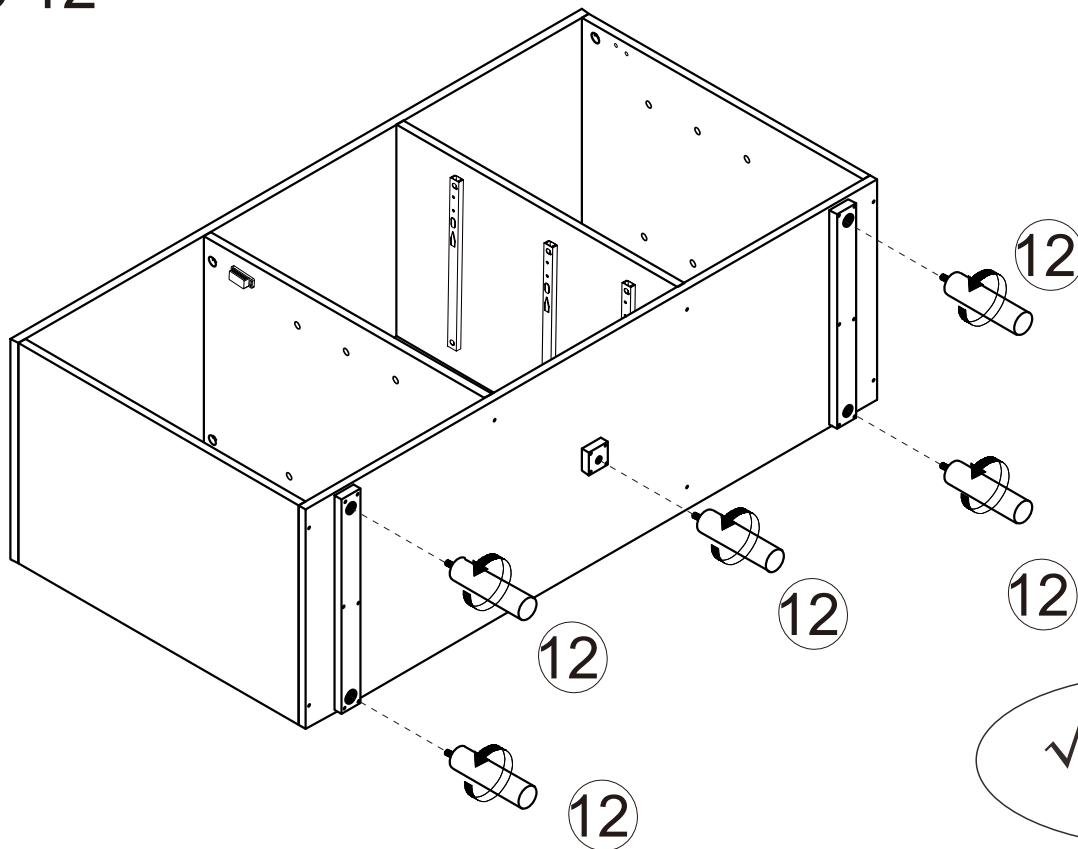


Connect Part 10&11 to 4 with Hardware E

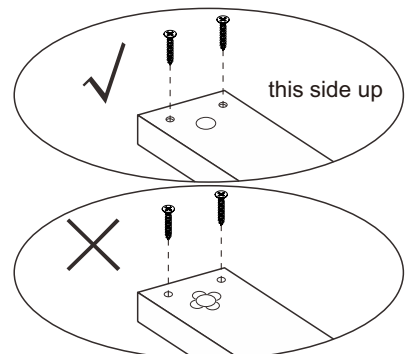


Ex16

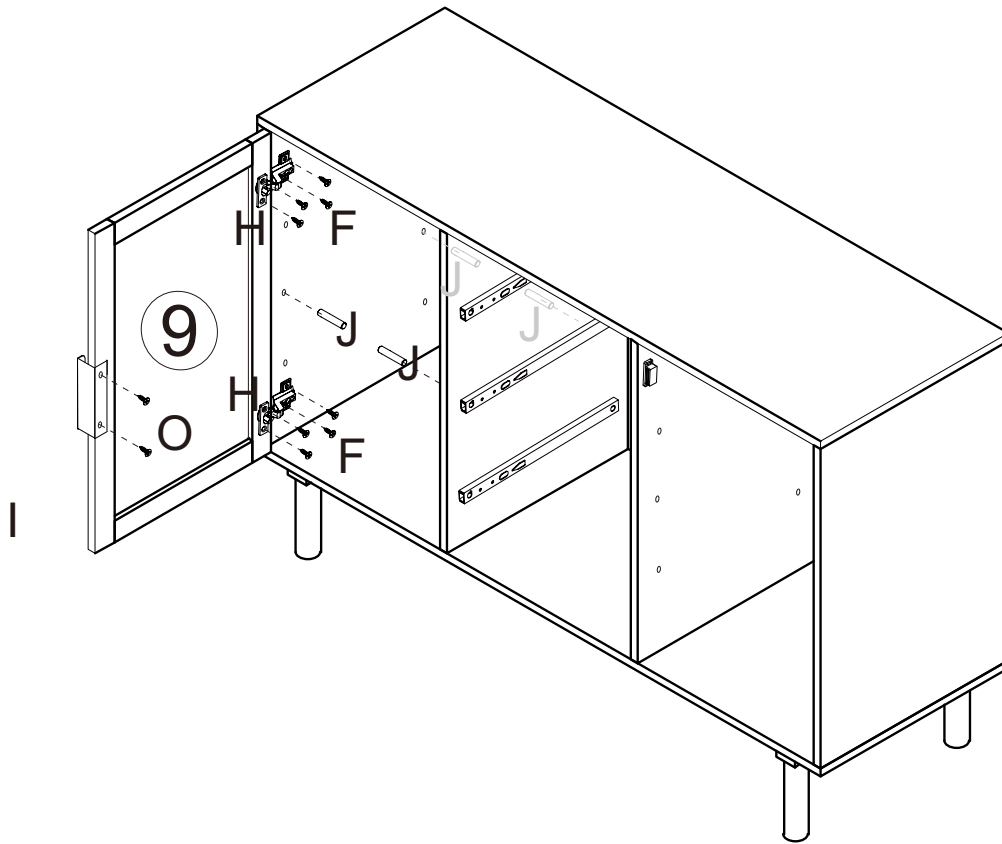
Step 12




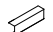



Install Part 12 (leg) on 10&11 (Rotate)



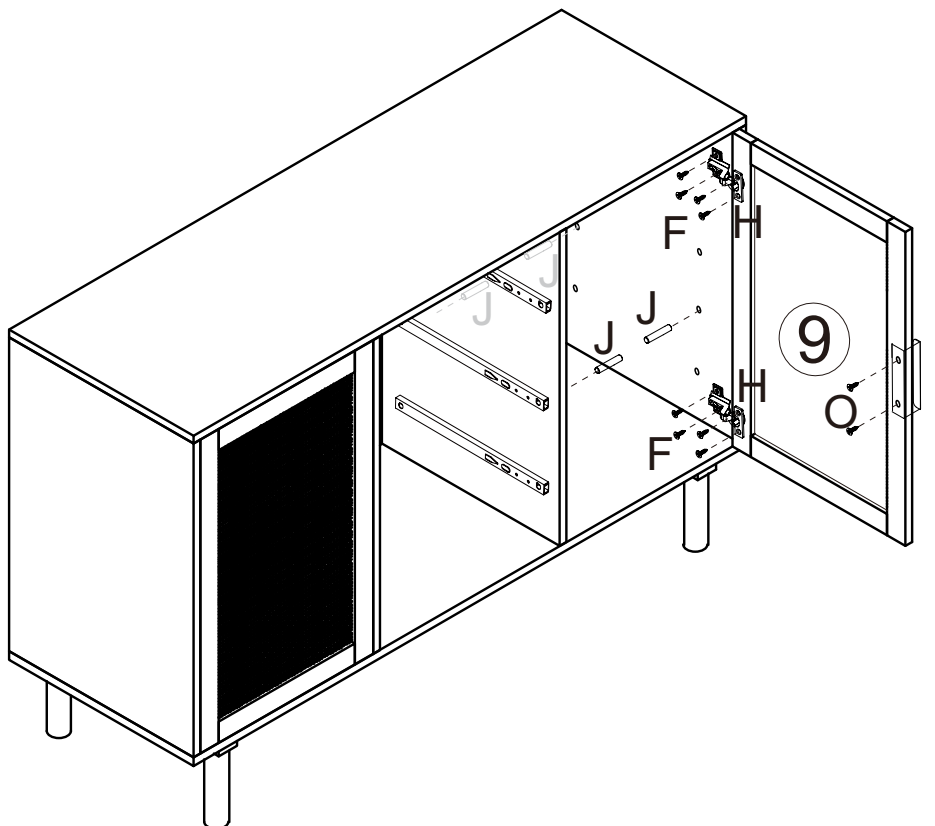
Step 13




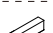



	Fx8		
	Hx2		Jx4
	Ix1		Ox2

Install Hardware I on Part 9 with O and connect 9 to 2 (Left Side Panel) with F&H
Insert Hardware J into Part 2&5

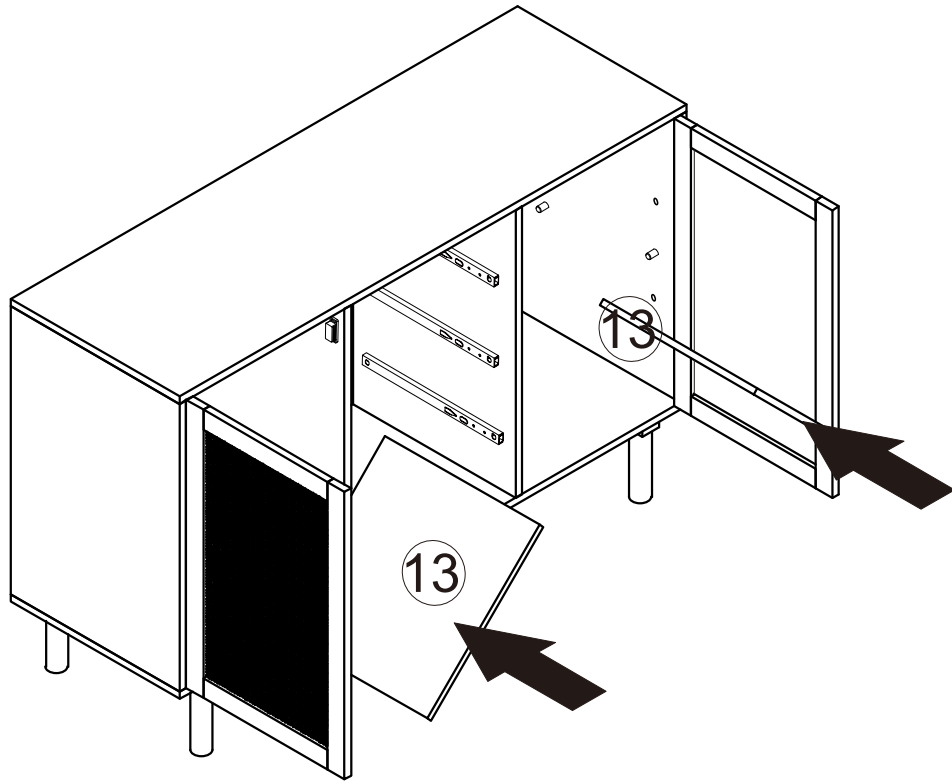
Step 14



	Fx8		
	Hx2		Jx4
	Ix1		Ox2

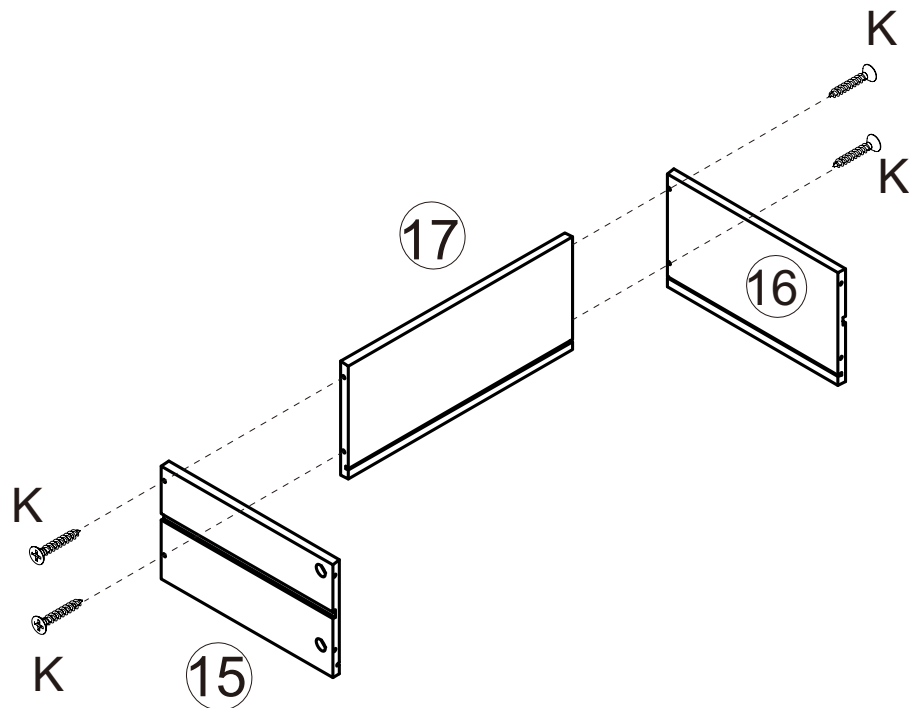
Install Hardware I on Part 9 with O and connect 9 to 3 (Right Side Panel) with F&H
Insert Hardware J into Part 6&3

Step 15



Place Part 13 on J (Metal Nail)

Step 16x3

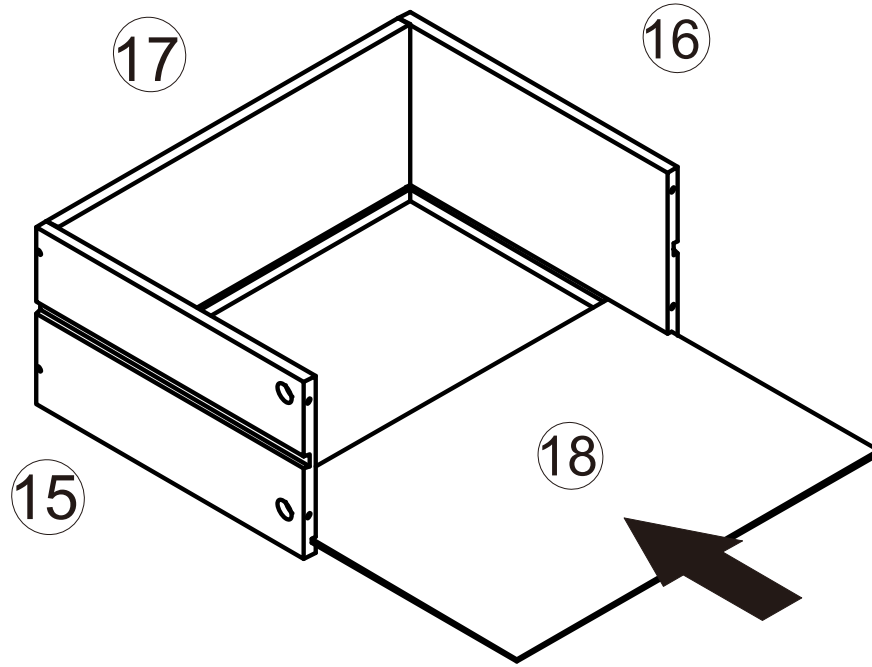


Connect Part 17 to 15&16 with Hardware K
Repeat this step three times



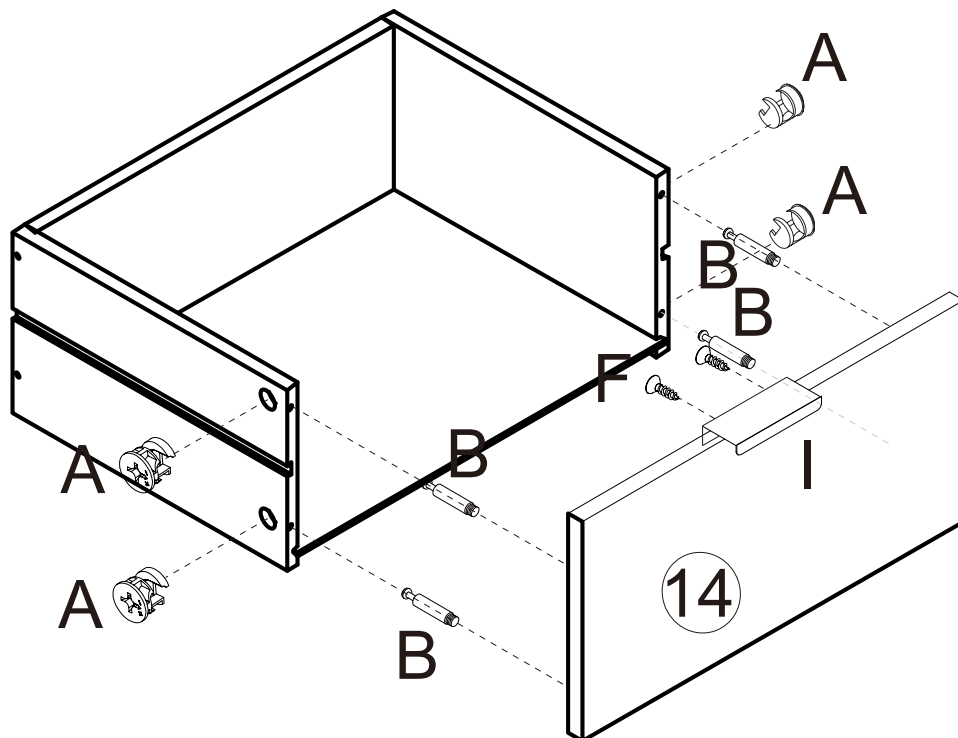
Kx12

Step 17x3



Insert Part 18 along the slots of 15&16
Repeat this step three times

Step 18x3



Fix Hardware I to Part 14 with F
Lock Part 14 to 15&16 with Hardware B&A



Ax12



Ox6

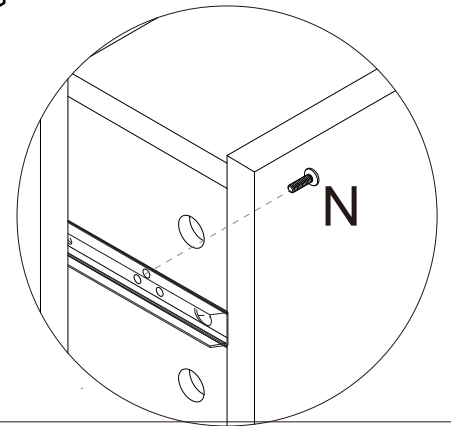
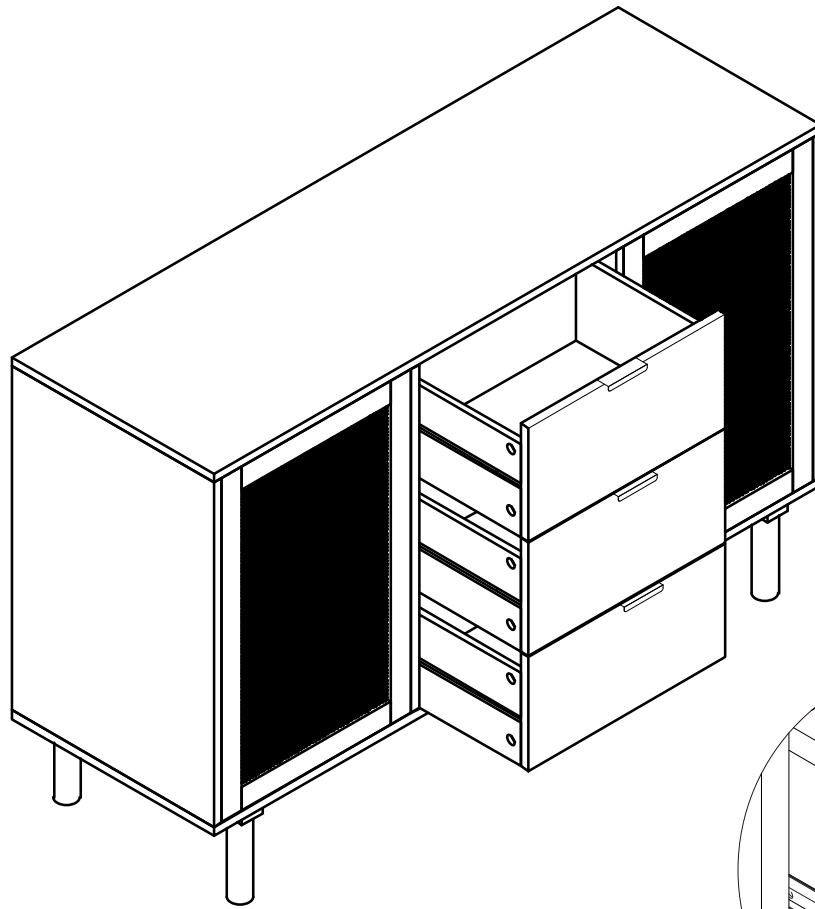


Bx12



Ix3

Step 19

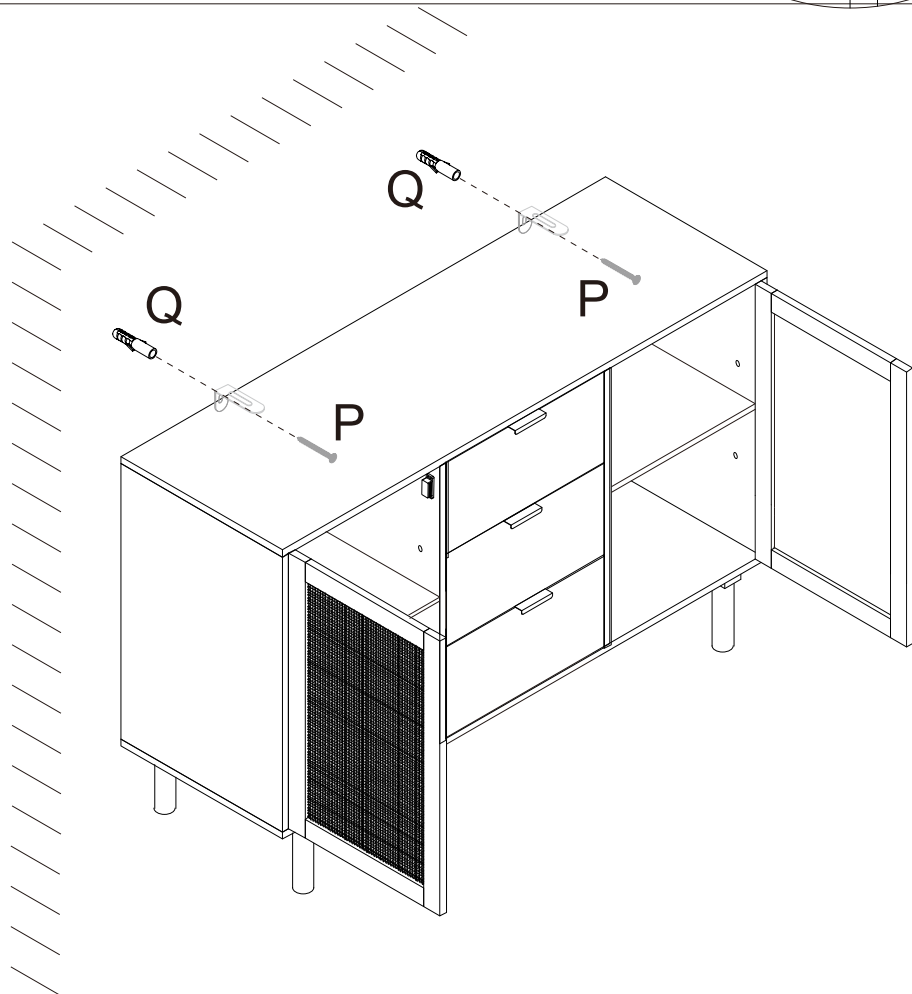


Pull out drawer slides and connect drawers to them with Hardware N



Nx6

Step 20



Px2



Qx2

Lock the cabinet to the wall with Hardware Q&P