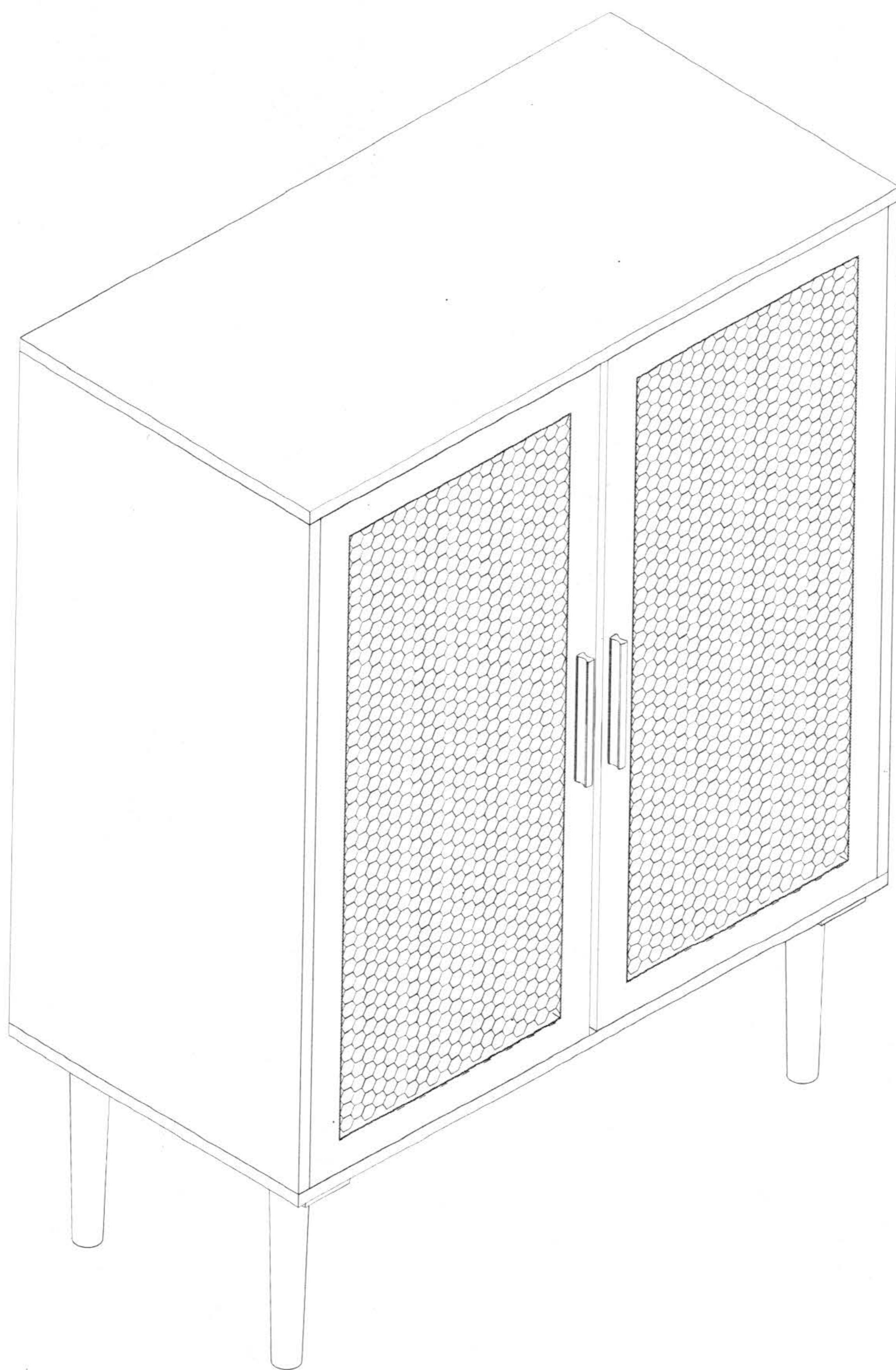
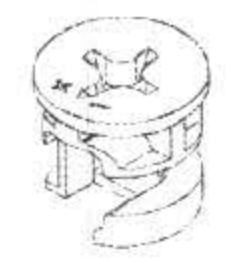
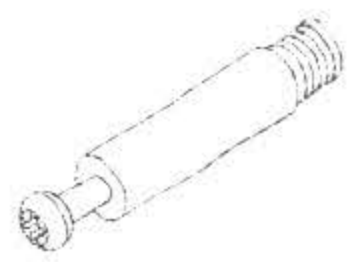


WI12374

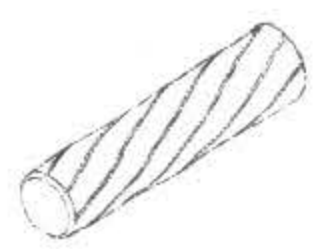




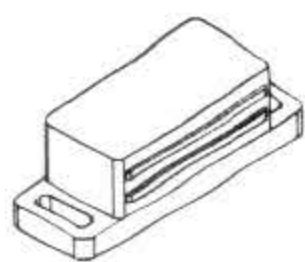
A x 11



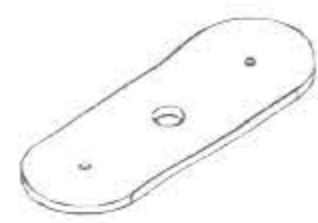
B x 11



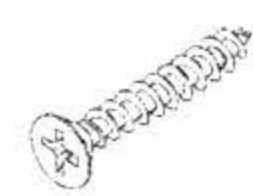
C x 10



D x 1



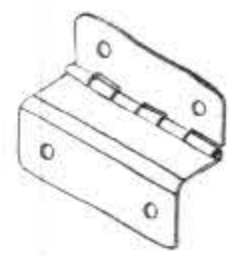
E x 2



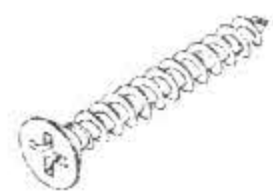
F x 12



G x 4



H x 4



I x 4



J x 10



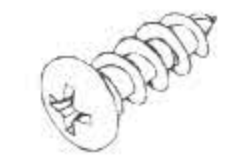
K x 2



L x 18



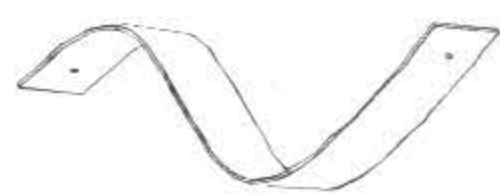
M x 4



O x 1



P x 2



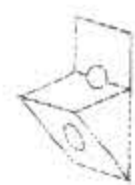
Q x 1



R x 1



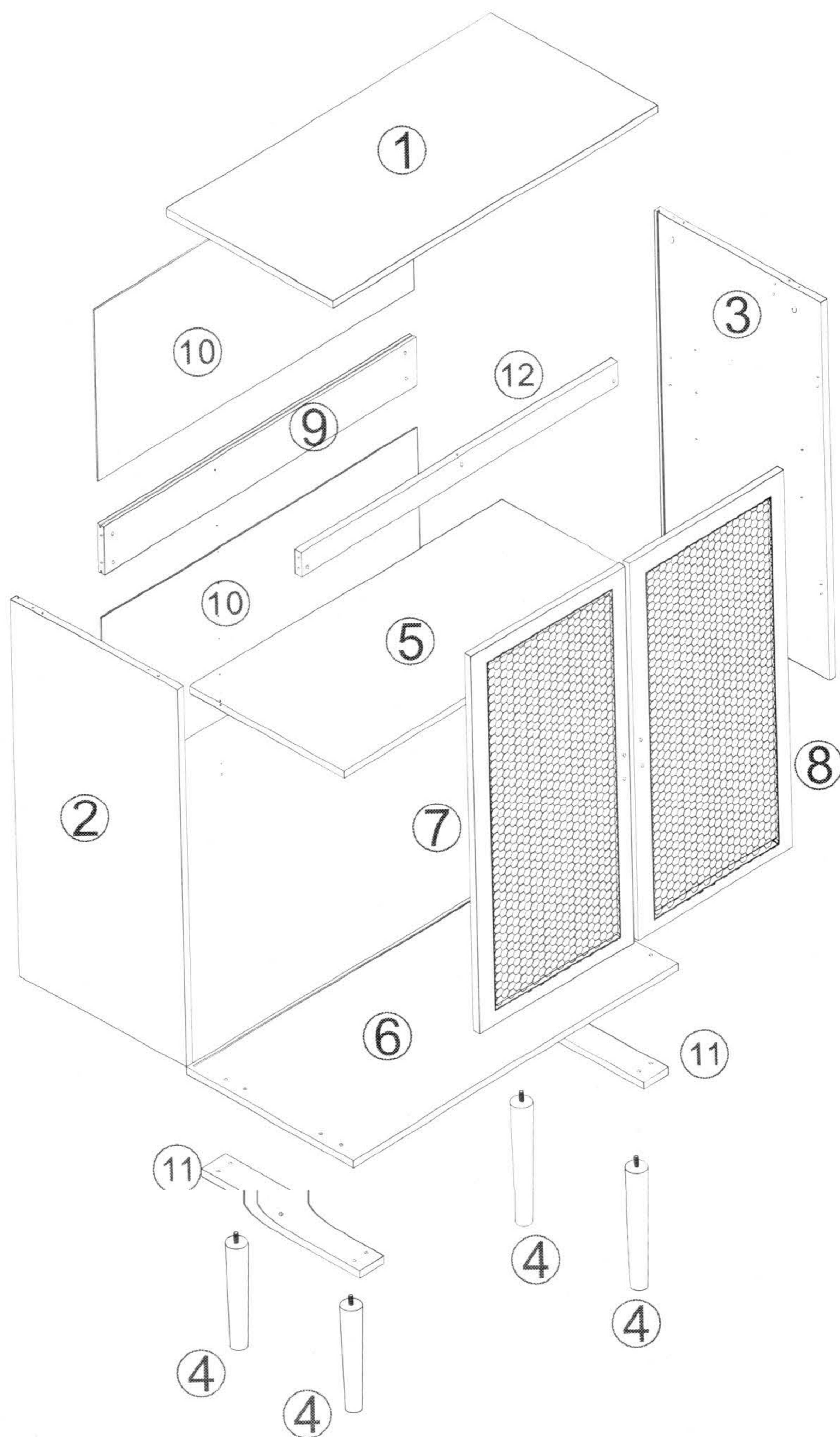
S x 1



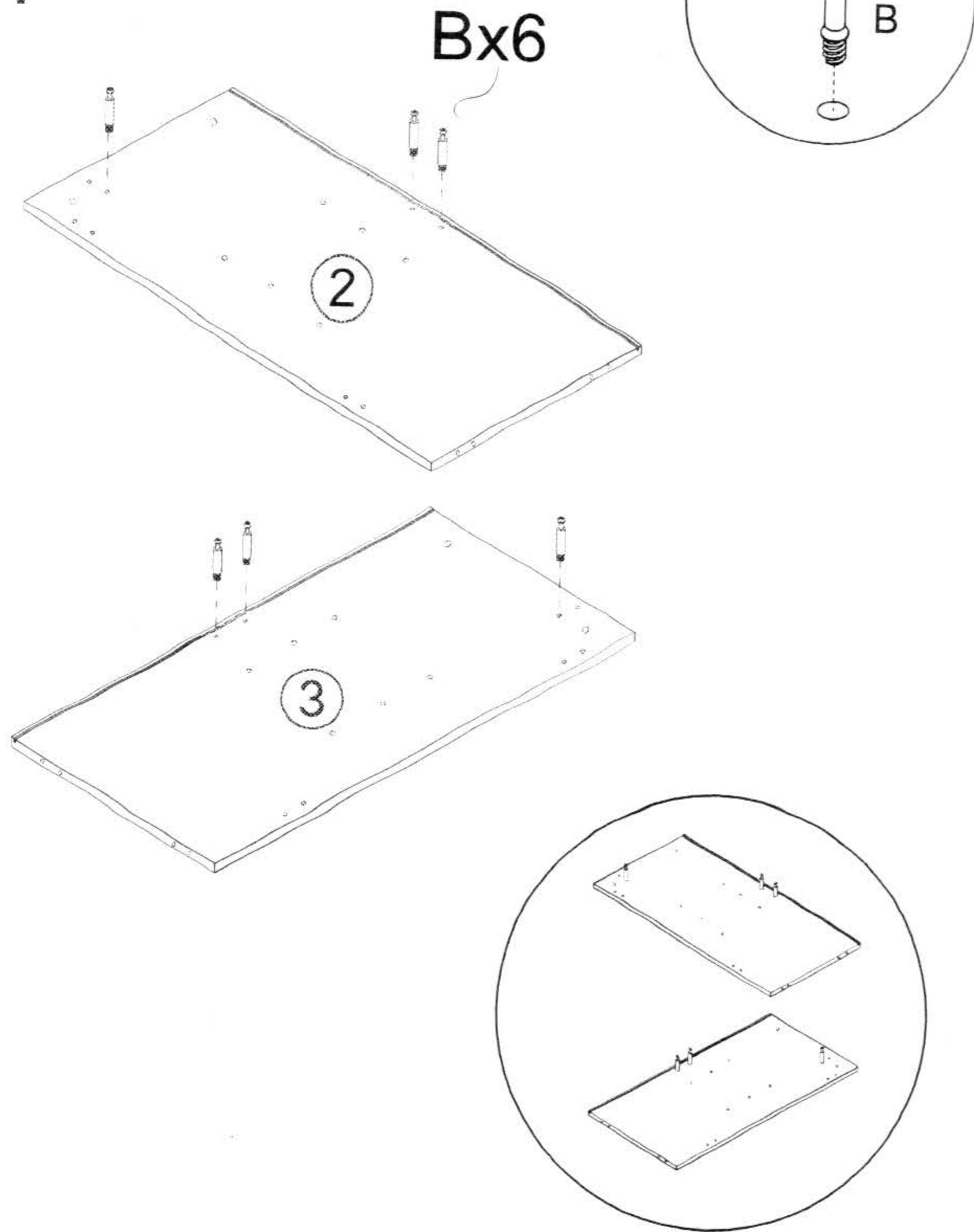
T x 8



U x 4

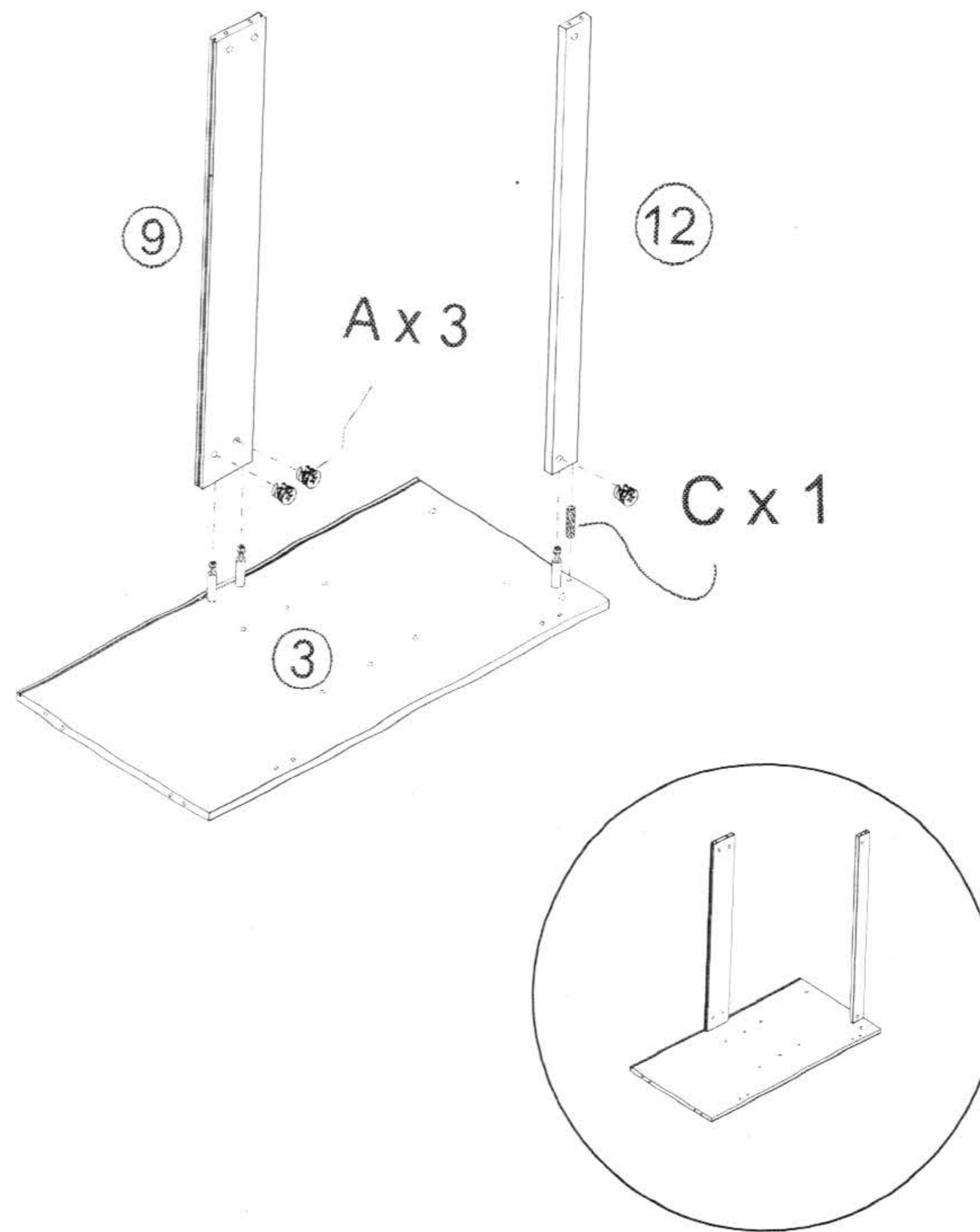


1



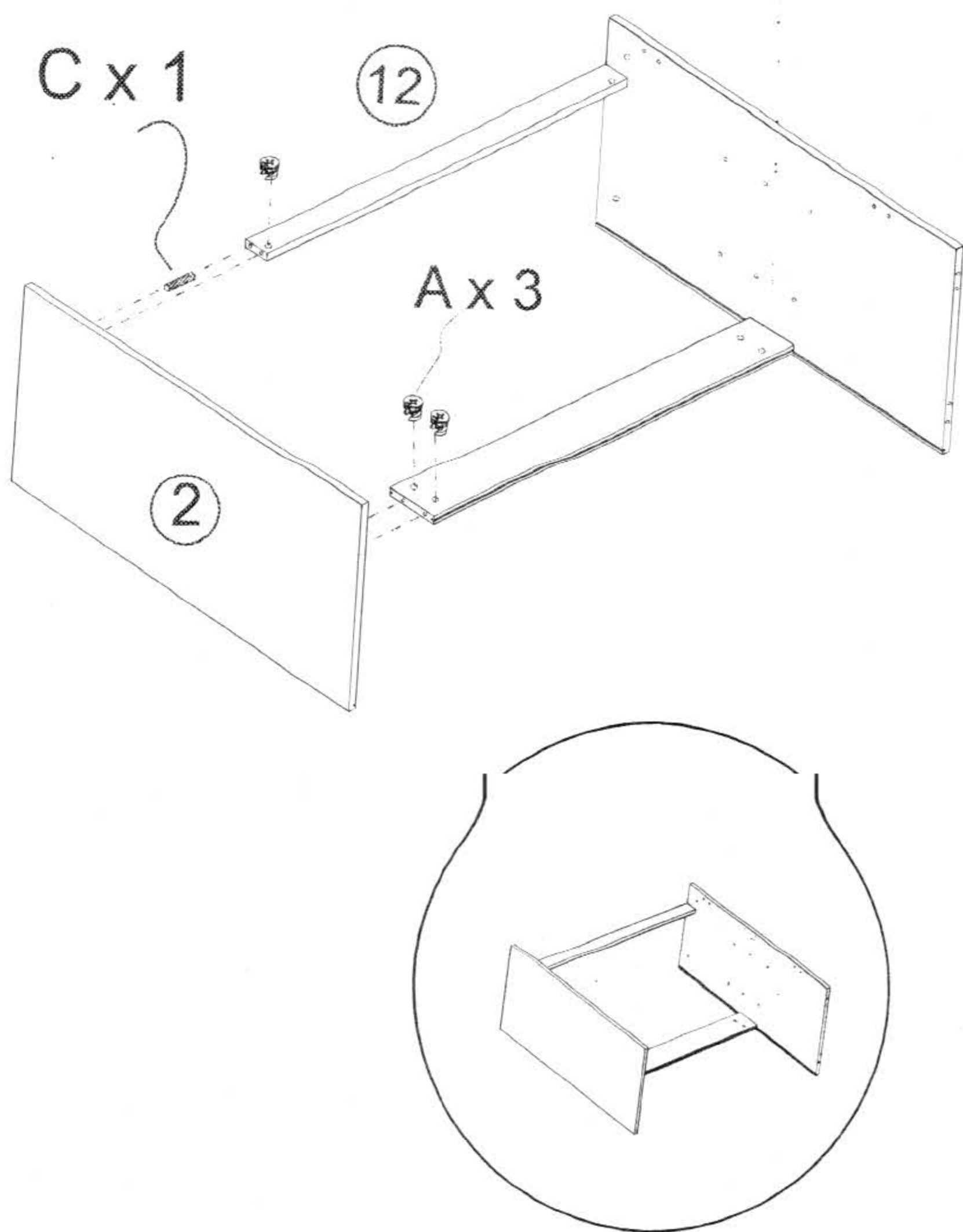
Step1: Fix hardware B to Part 2 and 3.

2



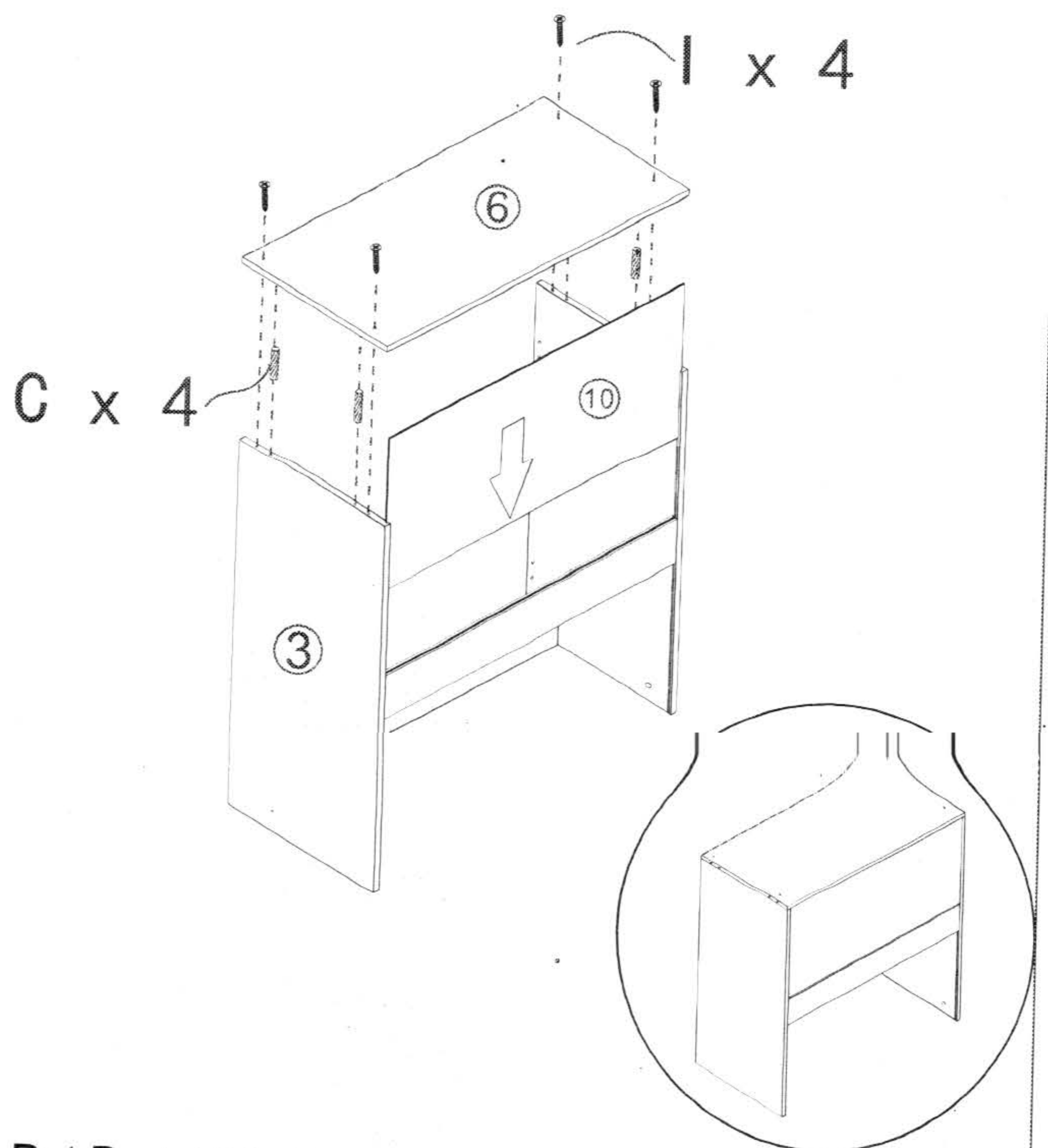
Step2: Connect Part 3 and Part 9/12 through hardware B, and tighten them with hardware A/C.

3



Step3: Connect Part 2 and Part 9 through hardware B, and tighten them with hardware A.

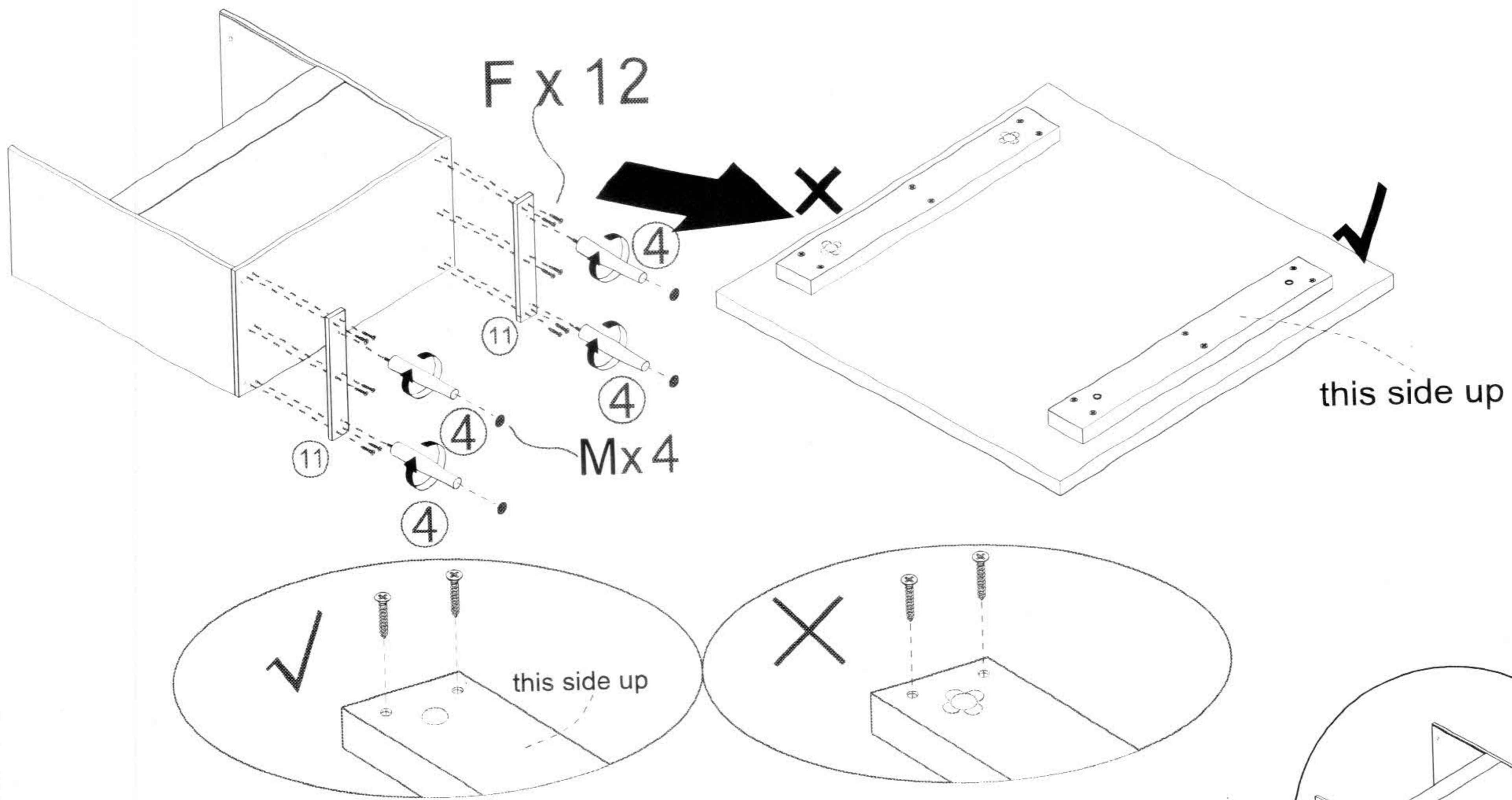
4



Step4: Put Part 10 to the groove of Part 2 and 3. Put hardware C to Part 2 and 3 and connect Part 6 to Part 2 and 3 through hardware C. Fix Part 6 to Part 2 and 3 with screw I.

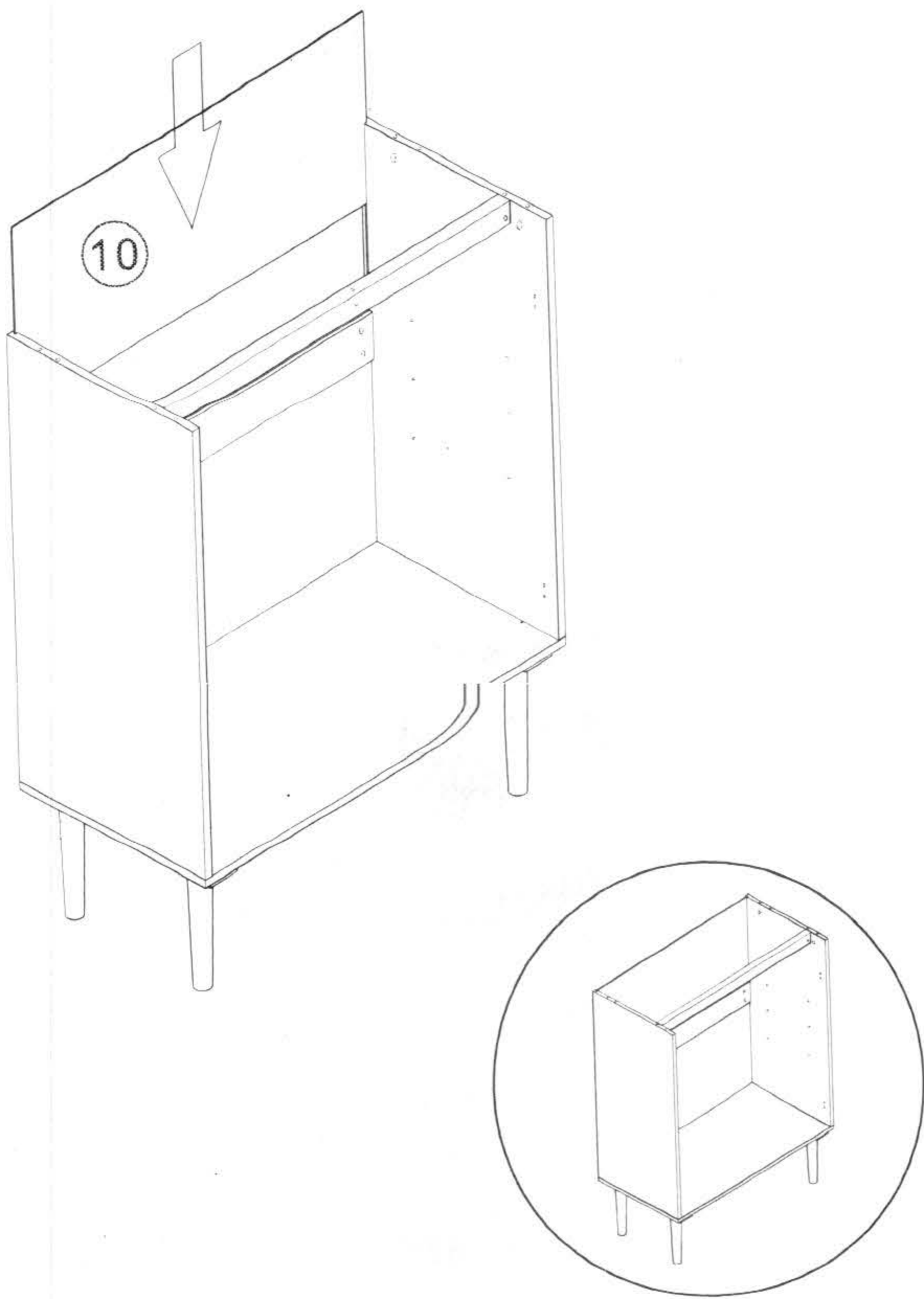
5

Please check the direction of the hole which to assemble the leg.



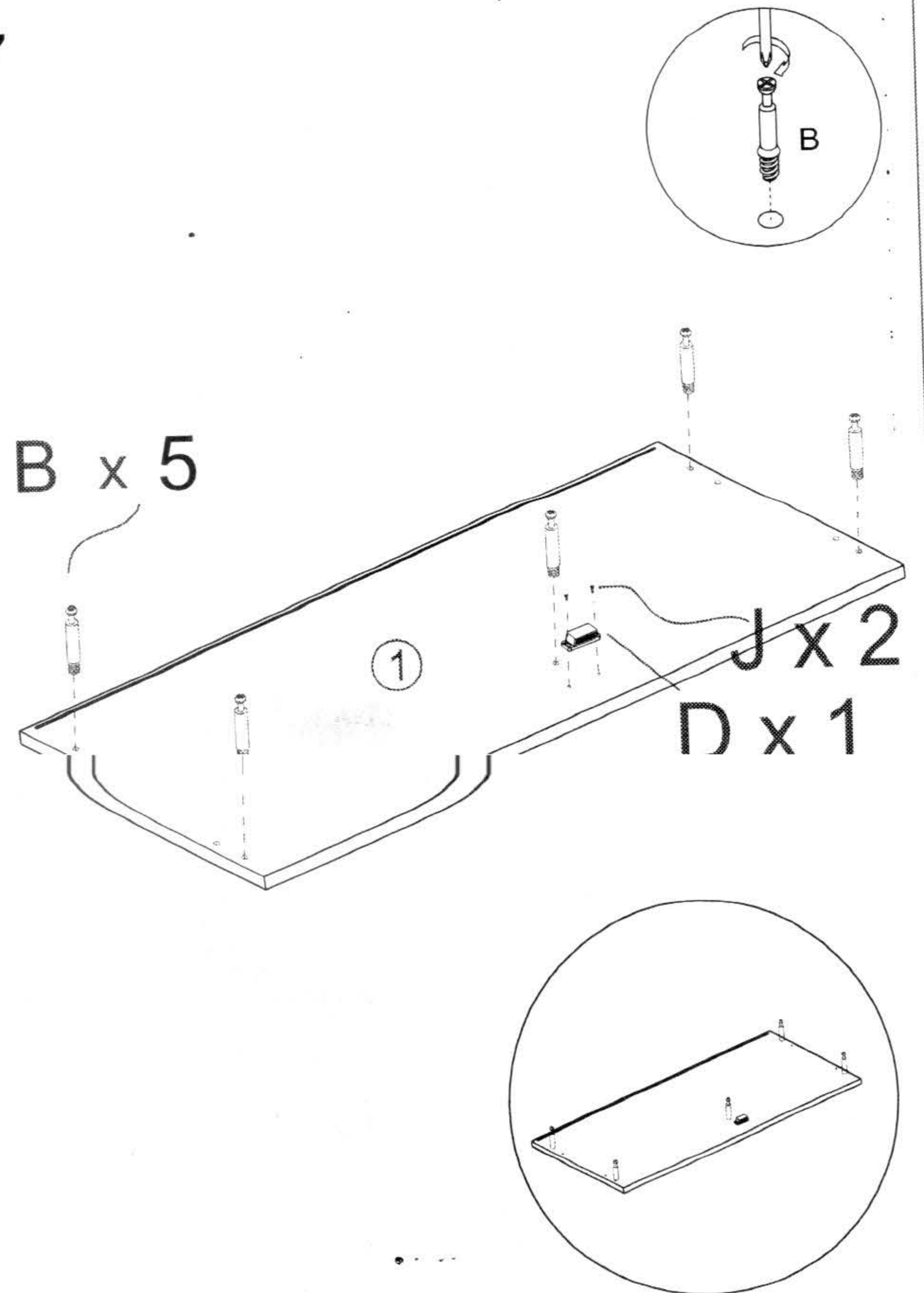
Step5: Fix Part 11 to Part 6 with screw F.
 Screw Part 4 to Part 11.
 Stick M to four legs.

6



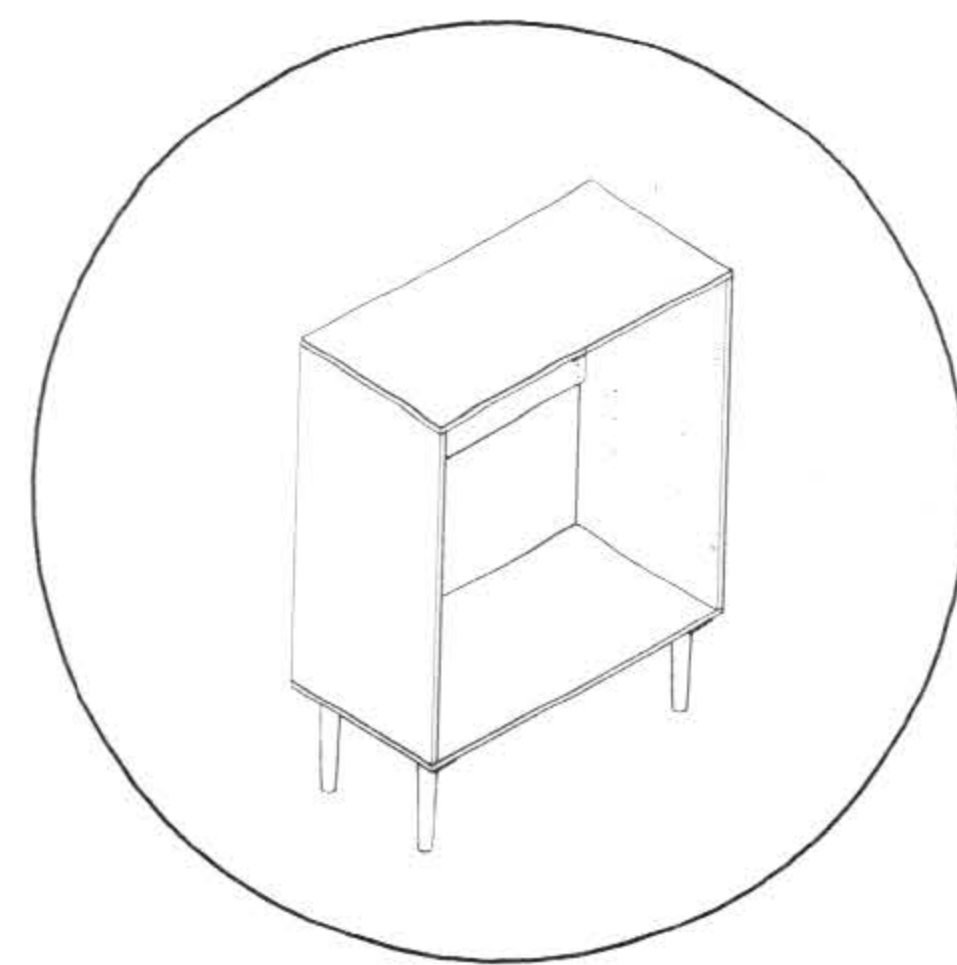
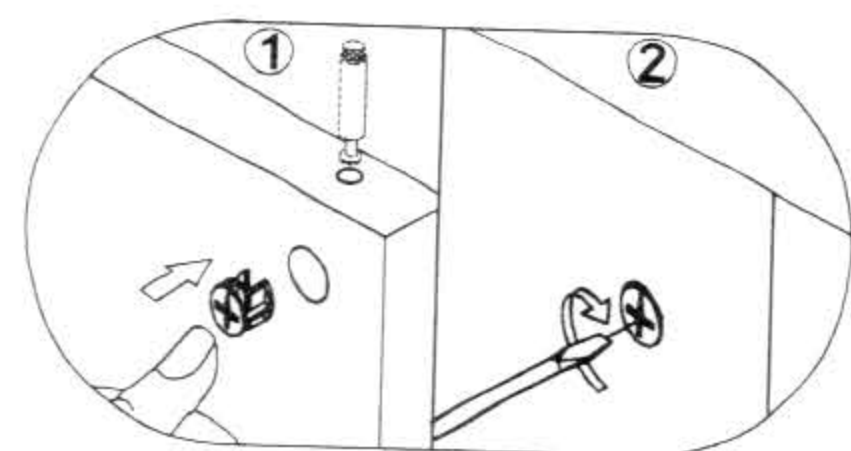
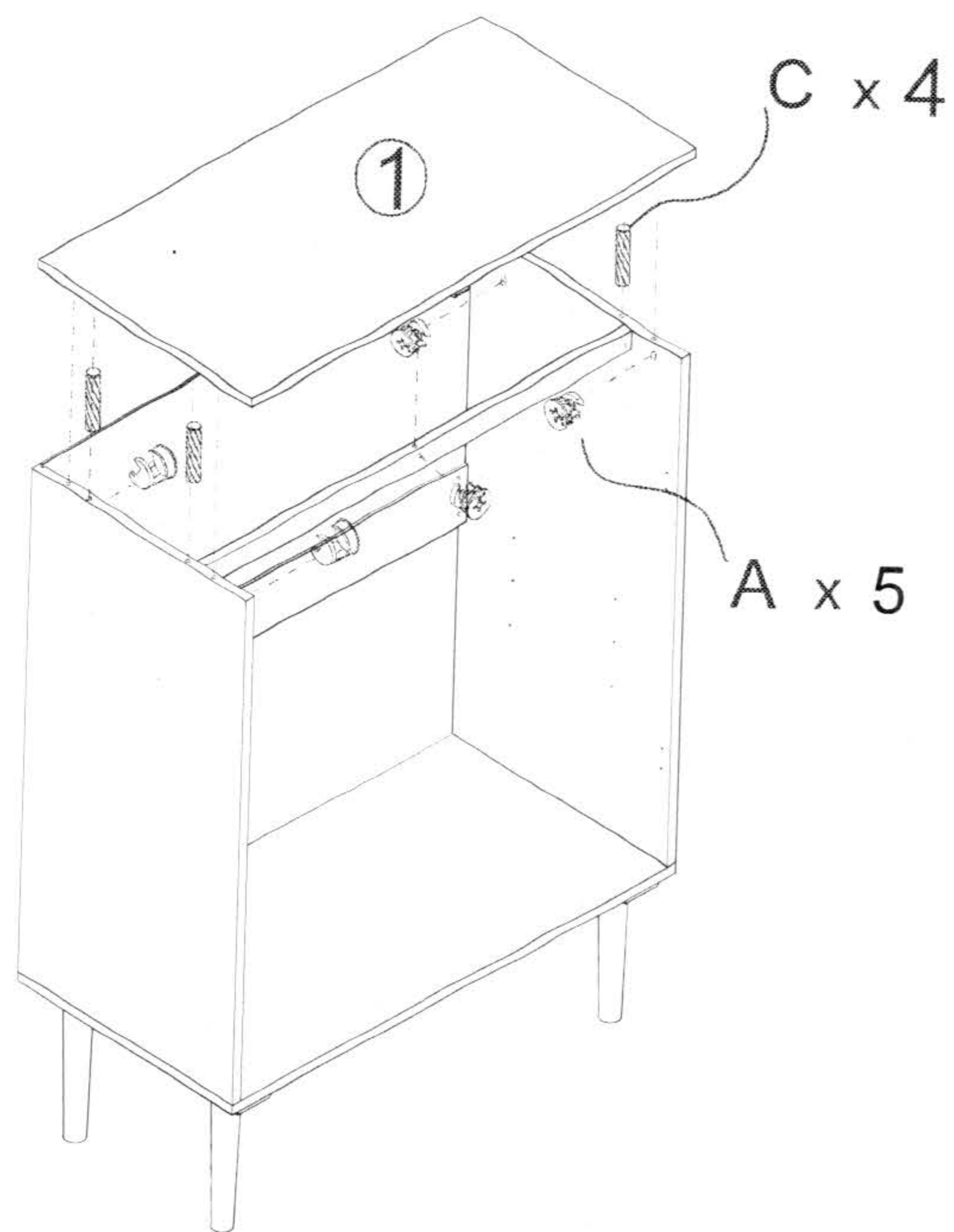
Step6: Put Part 10 to the groove of Part 2 and 3.

7



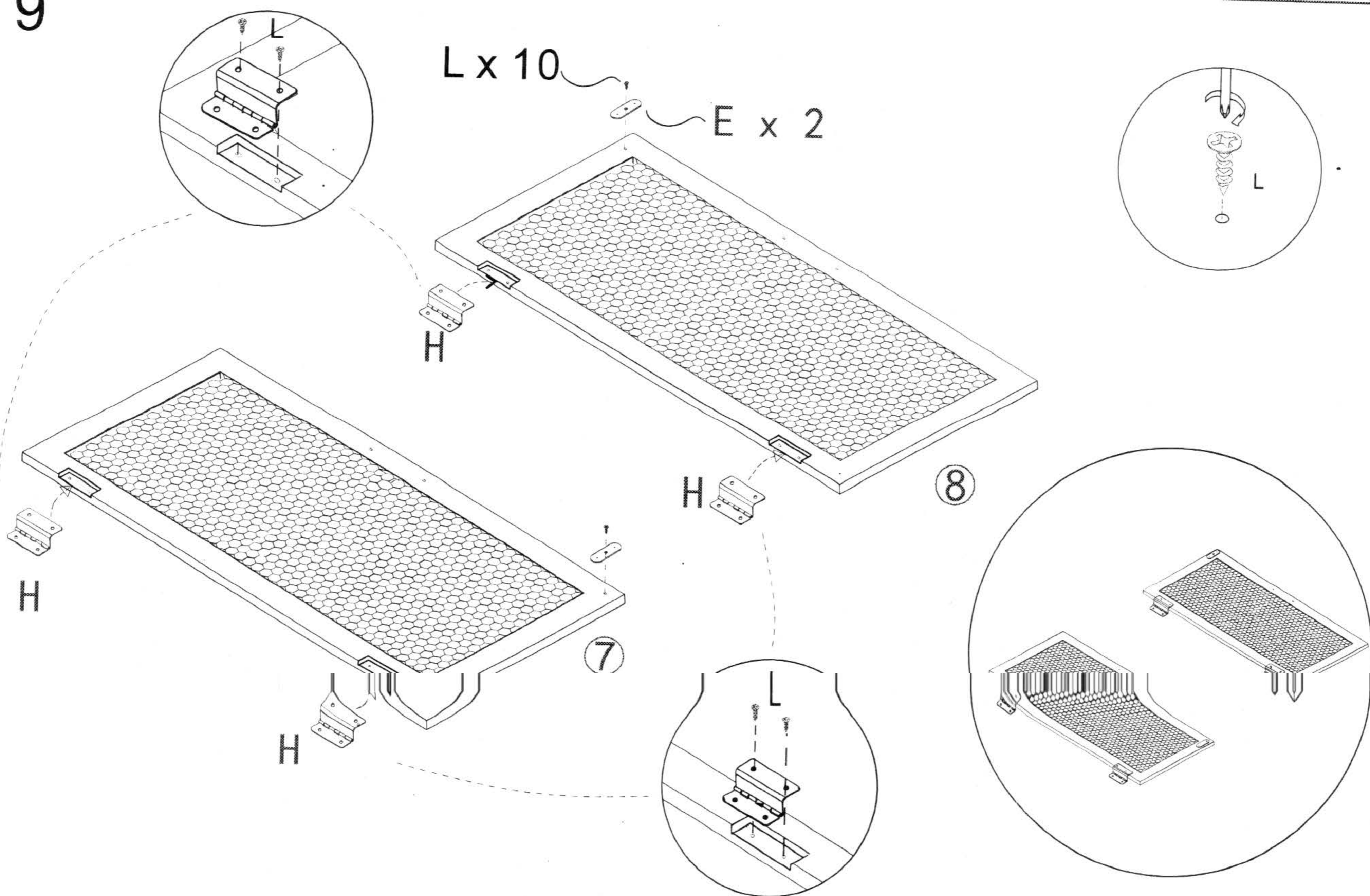
Step7: Fix hardware B to Part 1.
 Fix hardware D to Part 1 with screw J.

8



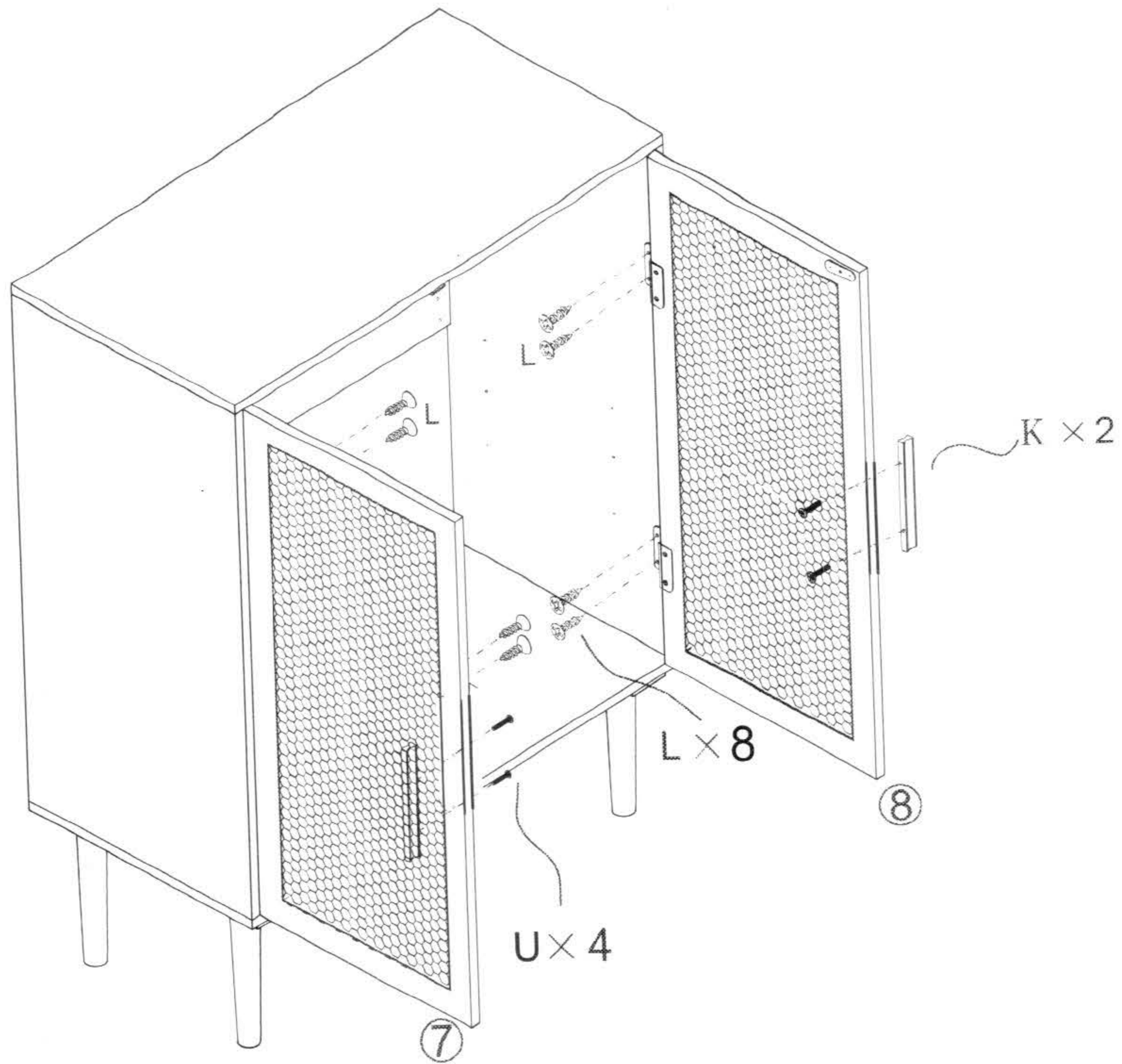
Step8: Put hardware C to Part 2 and 3 and connect Part 1 to Part 2 and 3 through hardware C. Tighten Part 1 to Part 2 and 3 with hardware A.

9



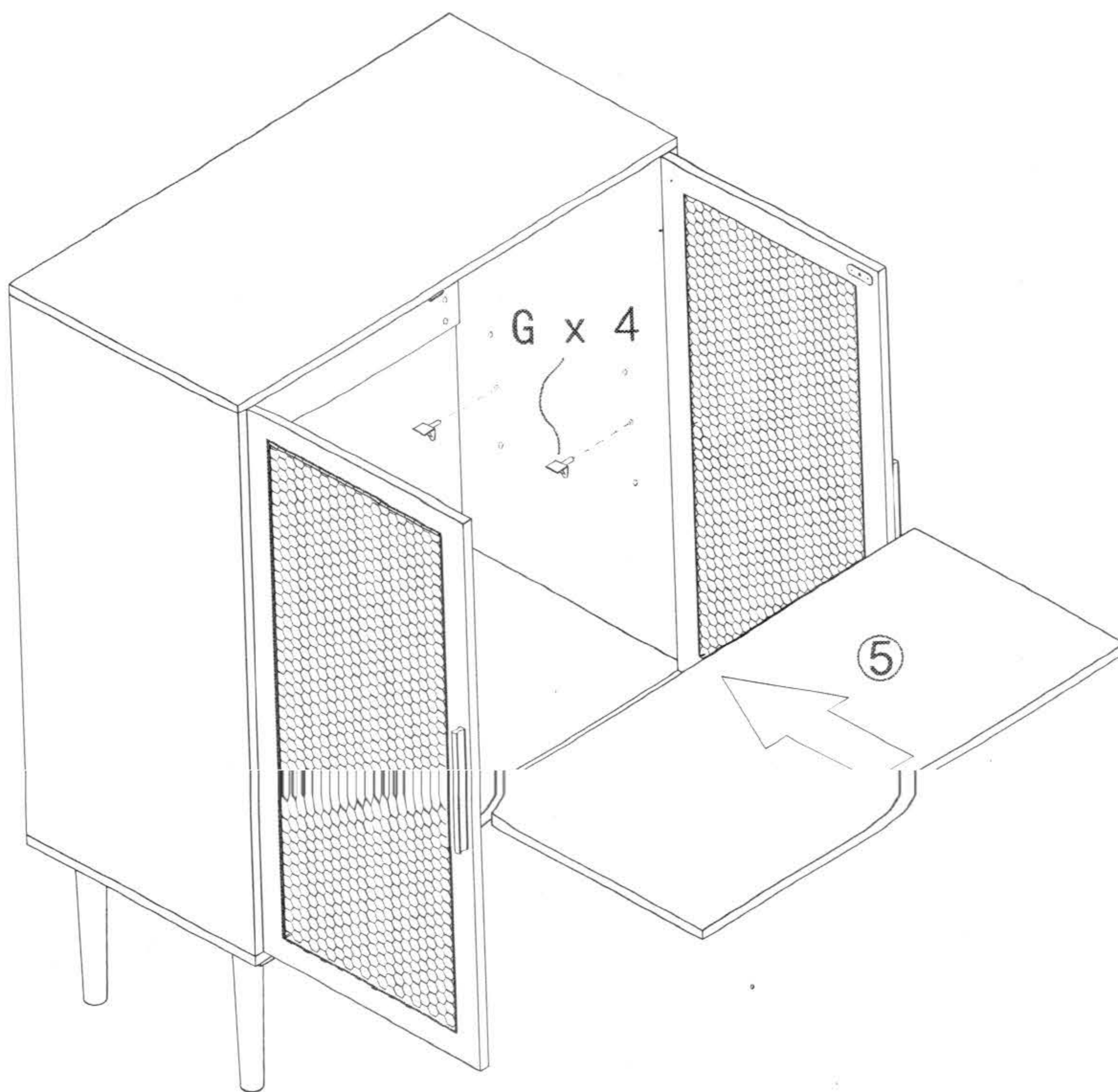
Step9: Fix hardware H to Part 7 and 8 with screw L. Fix hardware E to Part 7 and 8 with screw L.

10



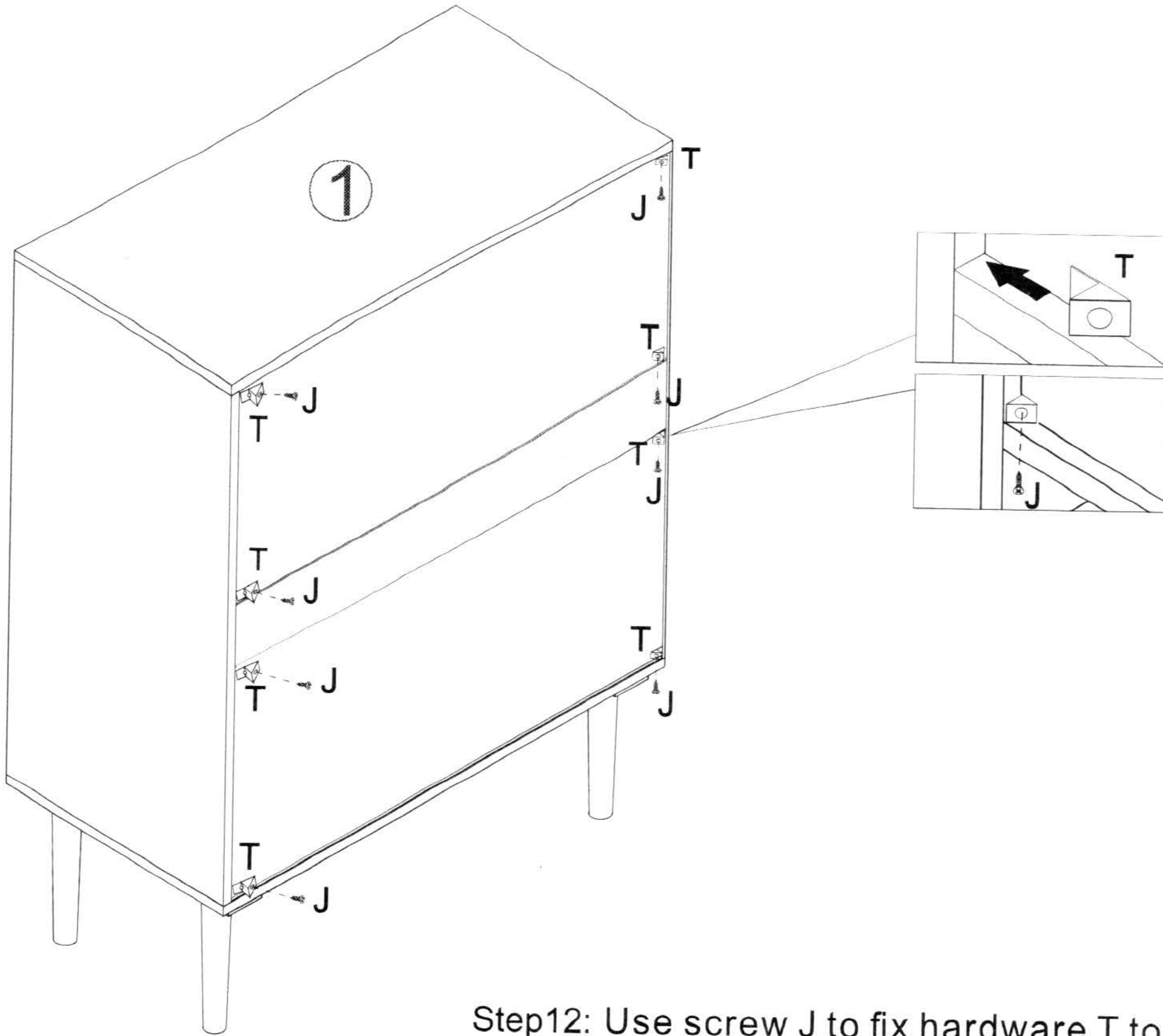
Step10: Fix Part 7 and 8 to Part 2 and 3 with screw L.
Fix hardware K to Part 7 and 8 with screw U.

11



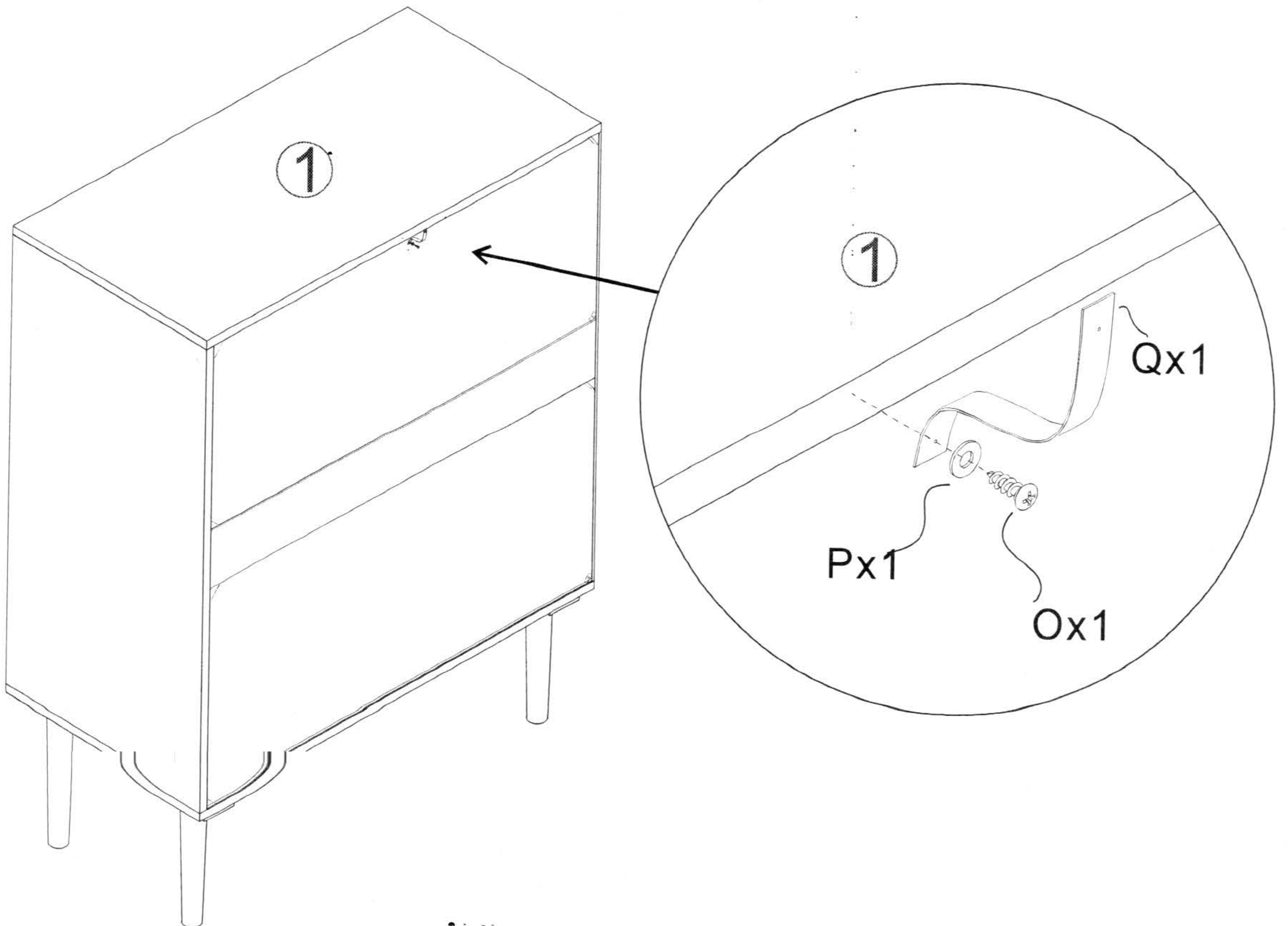
Step11: Put part 5 to the cabinet.
Put hardware G to screw hole on Part 2 and 3.

12



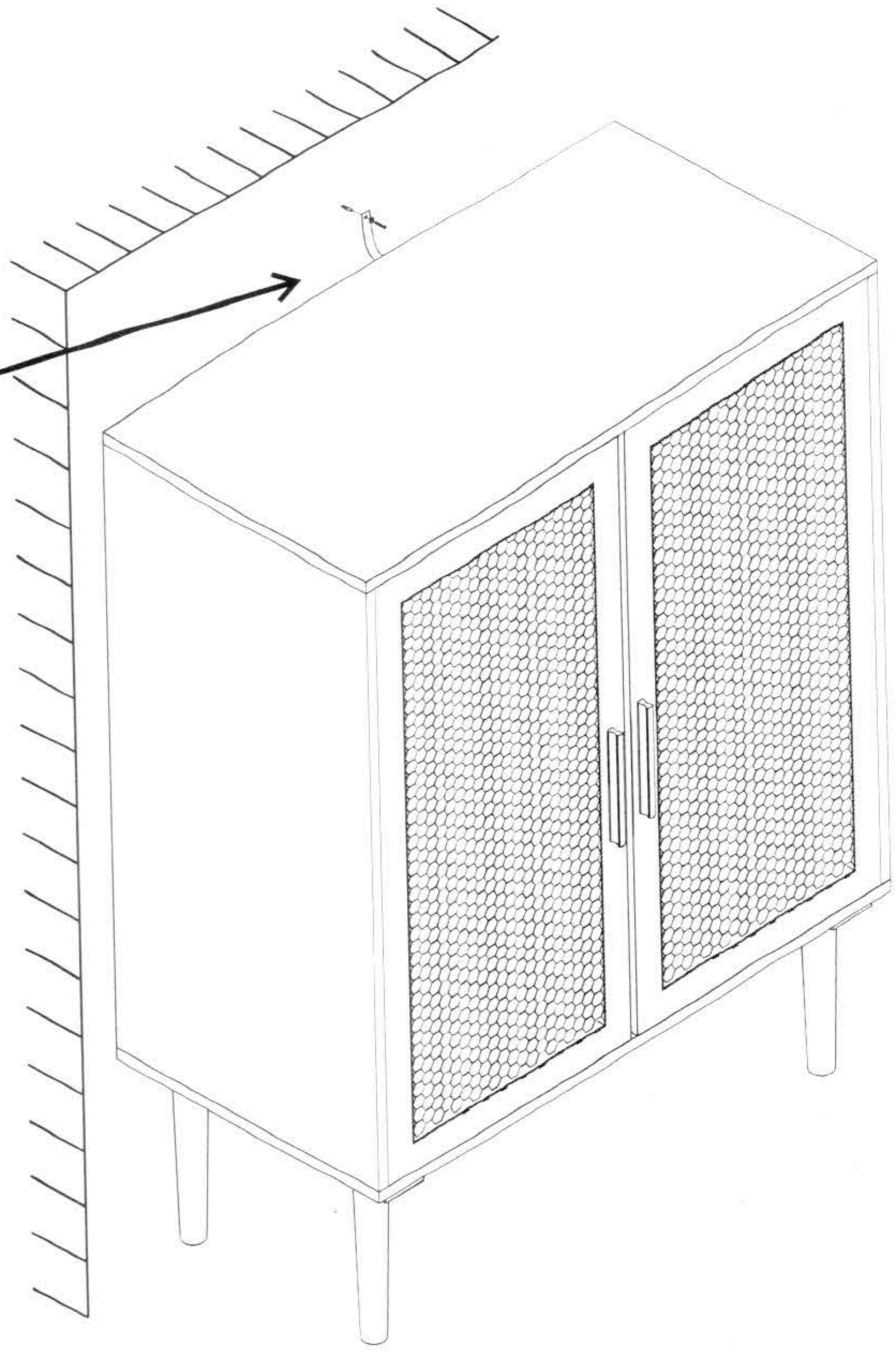
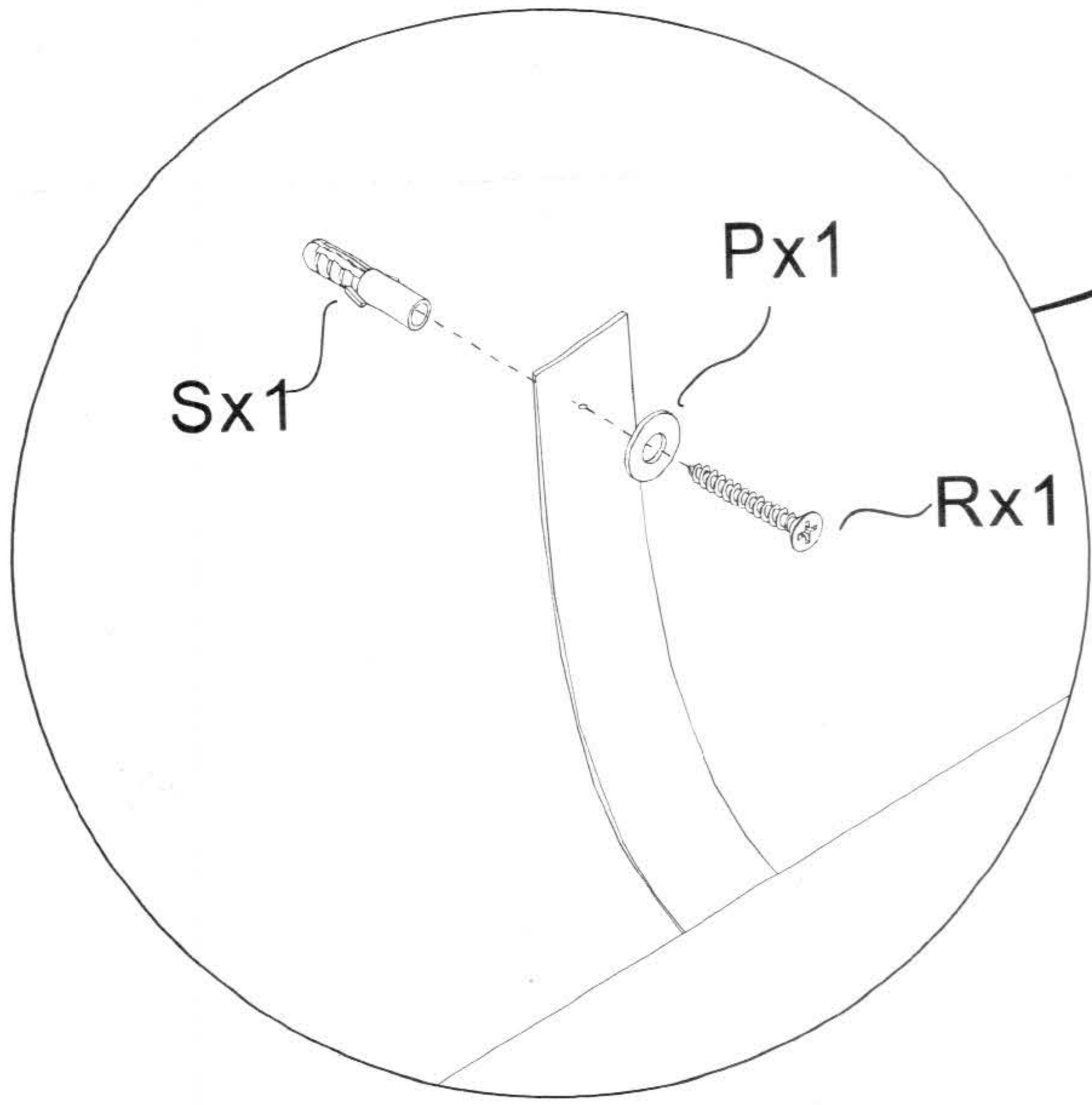
Step12: Use screw J to fix hardware T to the corner.

13



Step13: Fix hardware Q to Part 1 with hardware P and O.

14



Step14: Fix hardware S to the wall.
Fix hardware Q to S with hardware P and R.