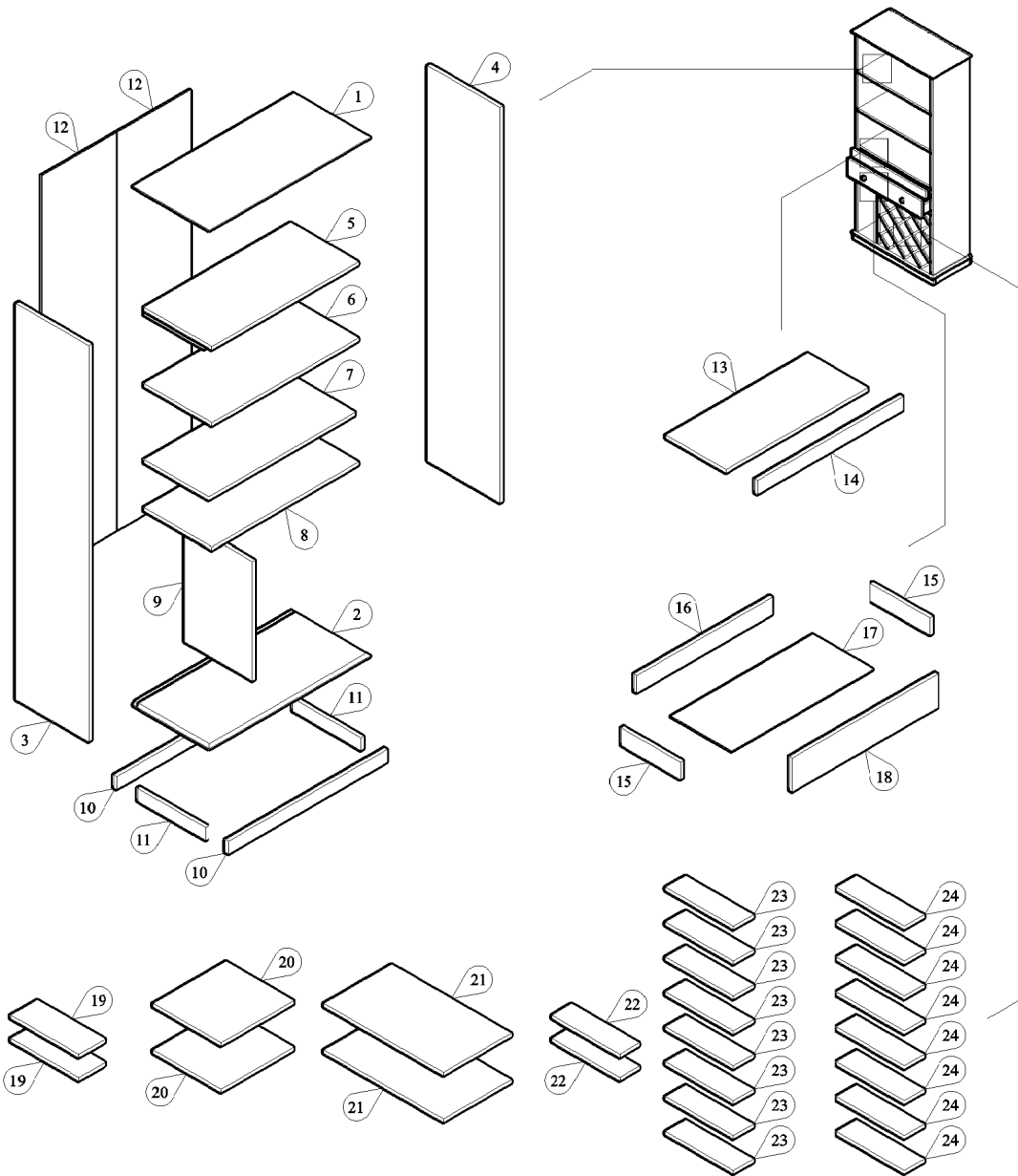
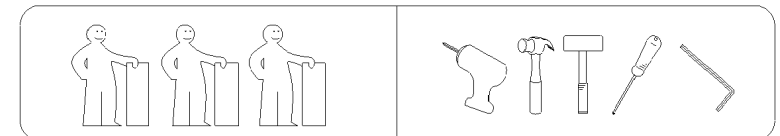
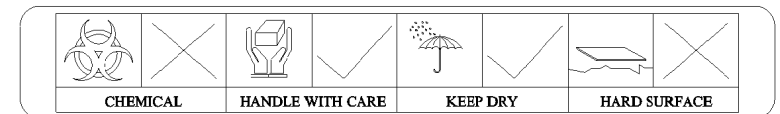


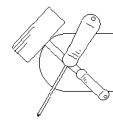
MODEL : SE WC 16006WI-DG/HO

PANEL POSITION



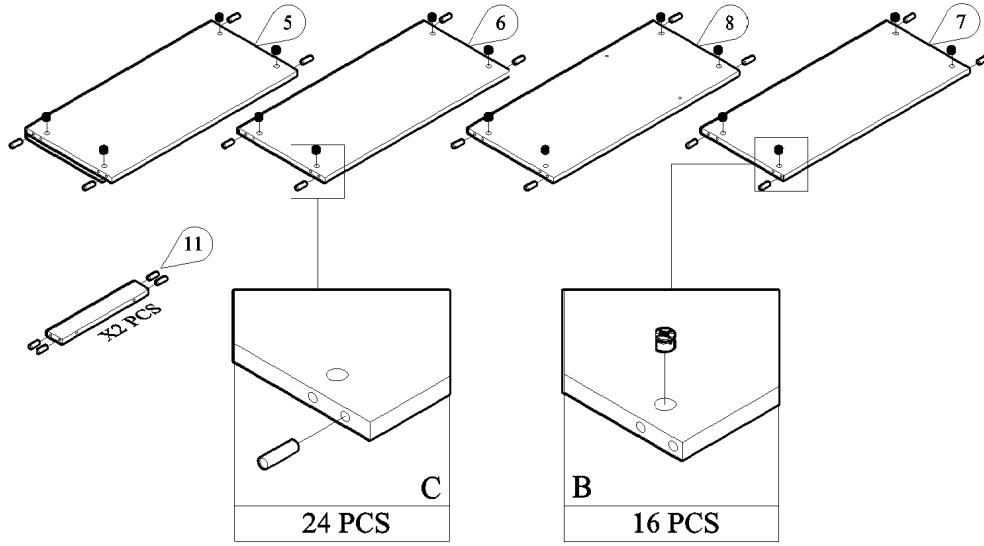
	ACCESSORIES	QUANTITY
A	MINIFIX M5 x 24MM	20 PCS
B	MINIFIX CASING	20 PCS
C	WOOD DOWEL M8 x 30MM	33 PCS
D	WOOD DOWEL M8 x 50MM	24 PCS
E	SCREW M6 x 50MM	12 PCS
F	DRAWER SLIDE 12" SCREW M3.5 x 12MM	2 PCS 24 PCS
G	PVC H RAIL	1 PC
H	PVC SQUARE KNOB (BLACK) SCREW M4 x 25MM	2 PCS 2 PCS
I	STUB SCREW M3x20MM (SV)	4 PCS 4 PCS
J	SCREW M4 x 38MM	28 PCS
K	SCREW M3.5 x 16MM	1 PC
L	POWER PIN	5 PCS
M	RECTANGLE LEG SCREW M3.5X16	2 PCS 4 PCS
N	L-SHAPE PVC LEG SCREW M.3.5X16	4 PCS 8 PCS
O	NYLON CABLE (BLACK)	1 PC
P	MINICAP	4 PCS
Q	SCREW M4 x 65MM	10 PCS
R	WALL PLUG	1 PC
S	SCREW M4 x 28MM	1 PC
T	WOSE (SMALL)	2 PCS
U	ALLEN KEY	1 PC



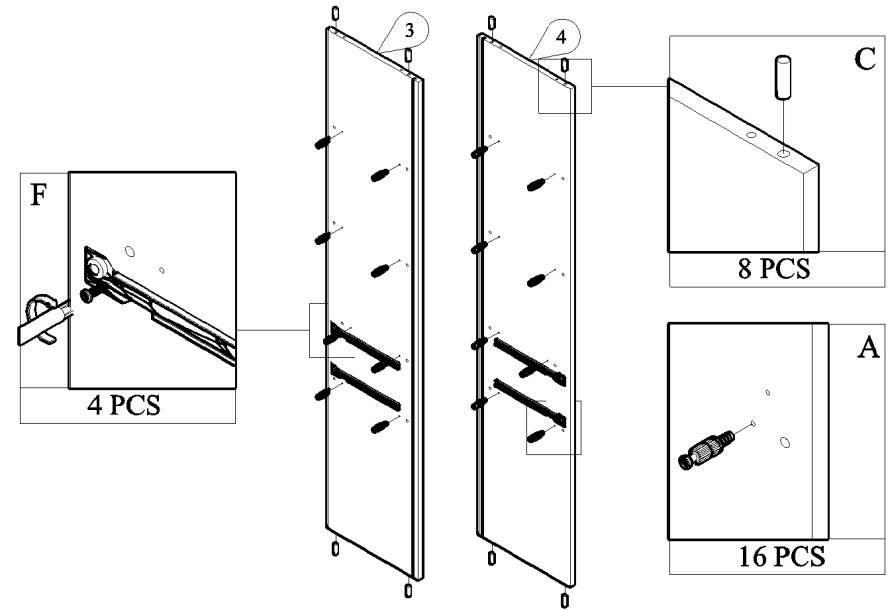


START ASSEMBLY

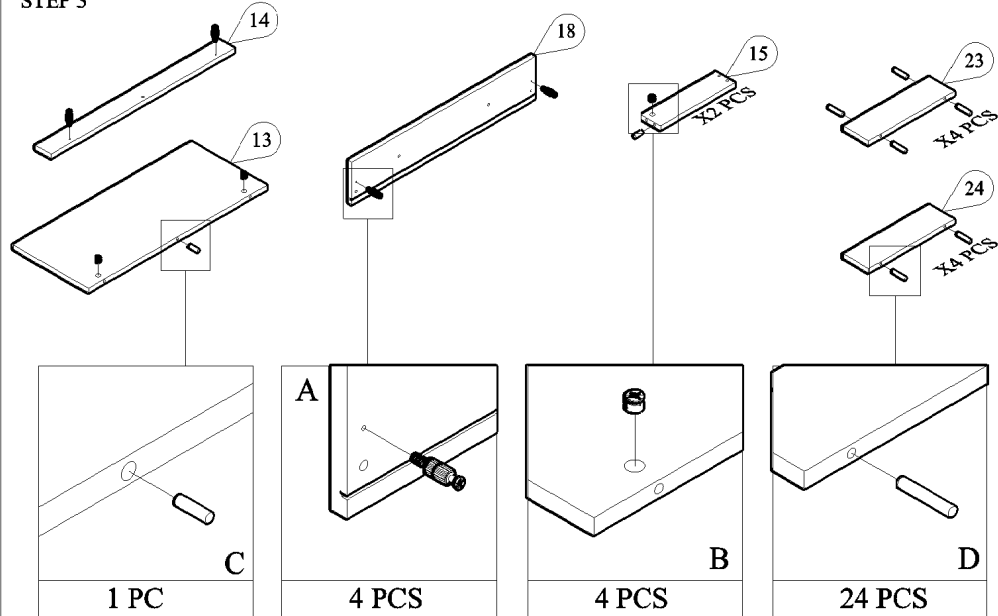
STEP 1



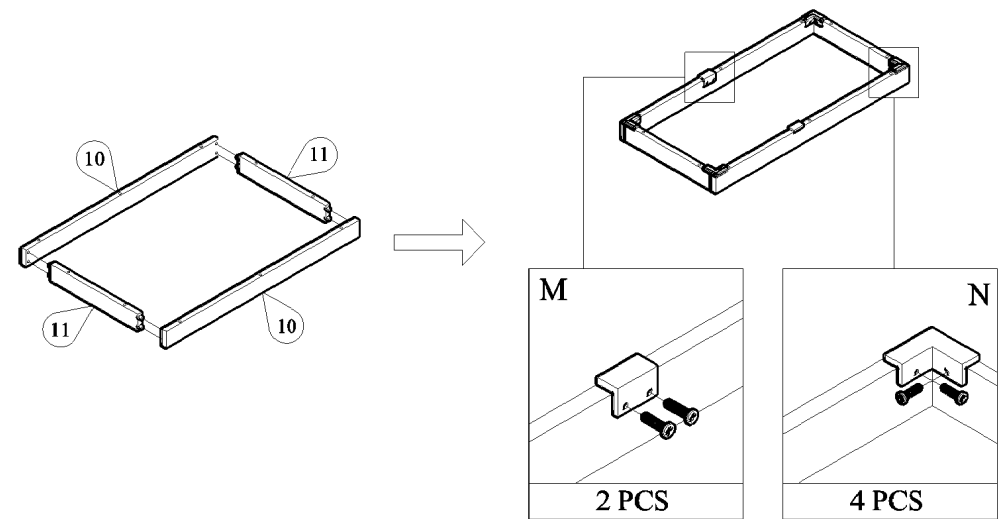
STEP 2



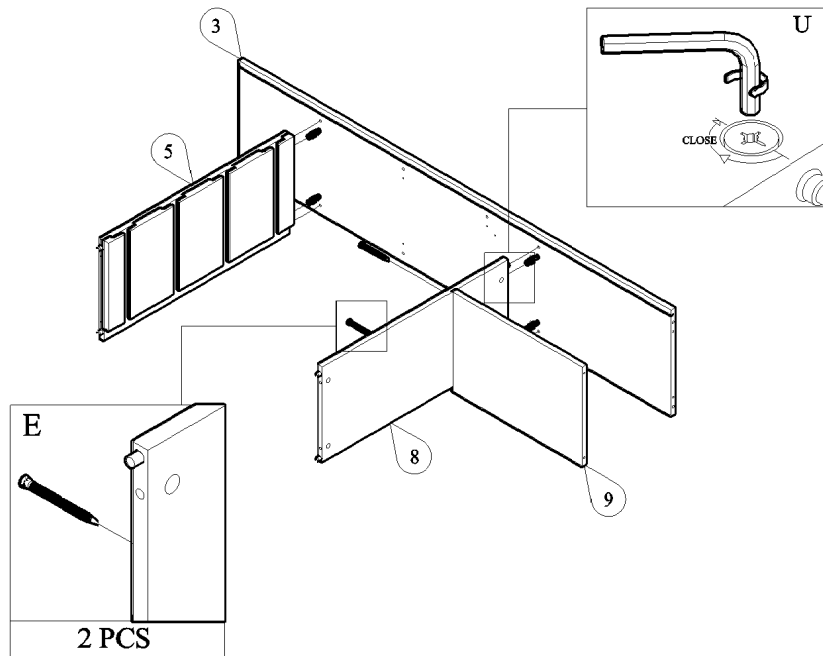
STEP 3



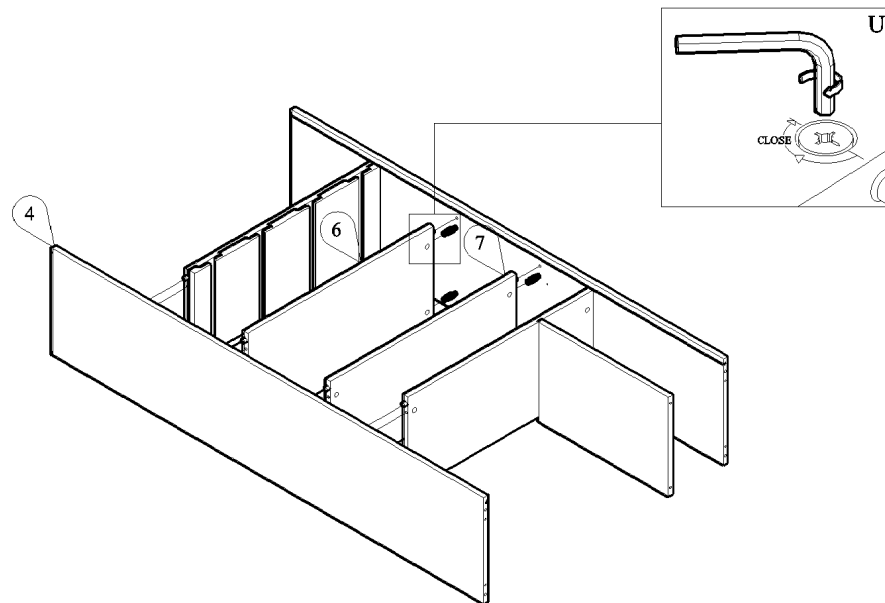
STEP 4



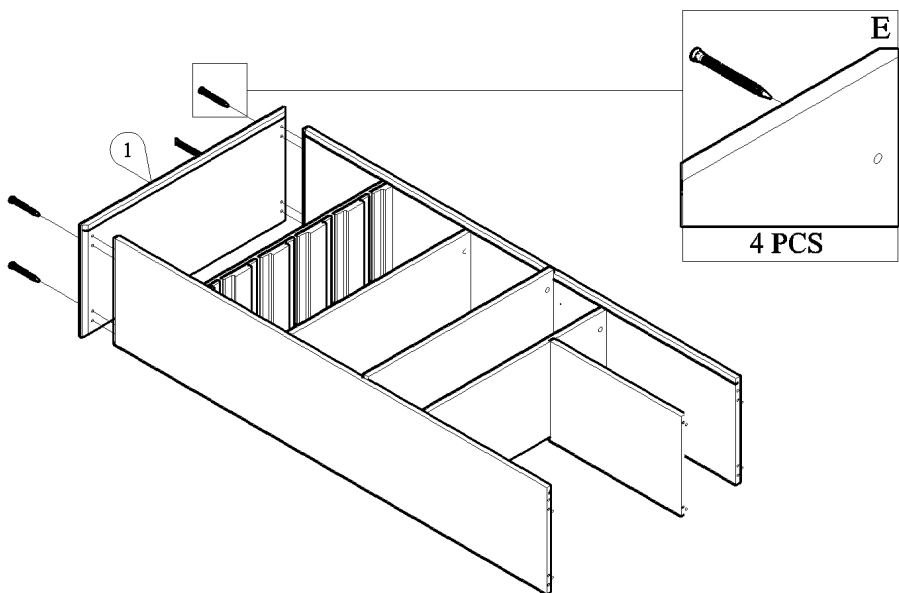
STEP 5



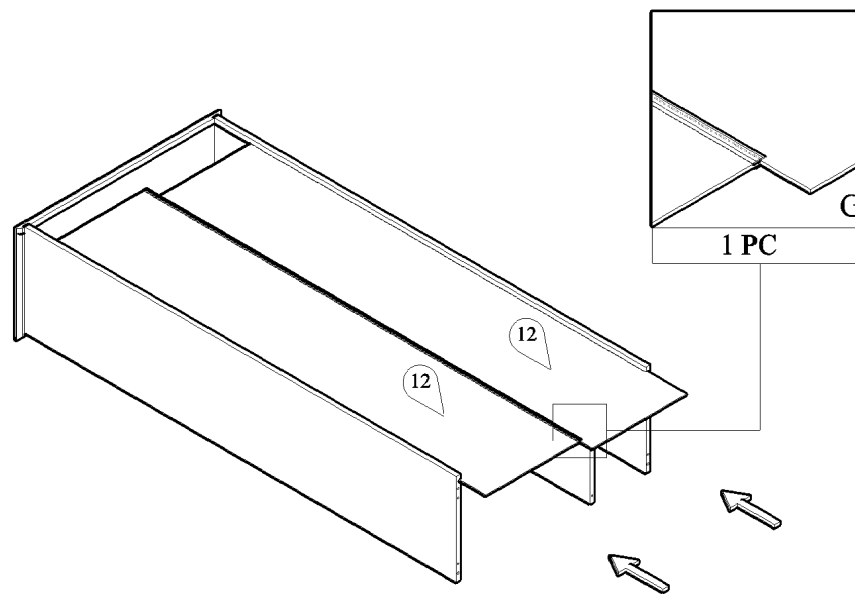
STEP 6



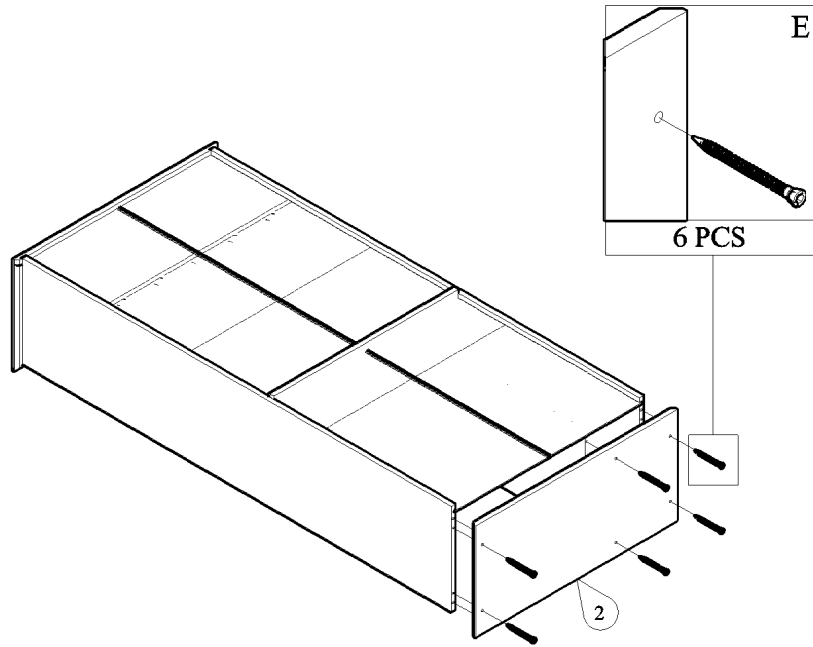
STEP 7



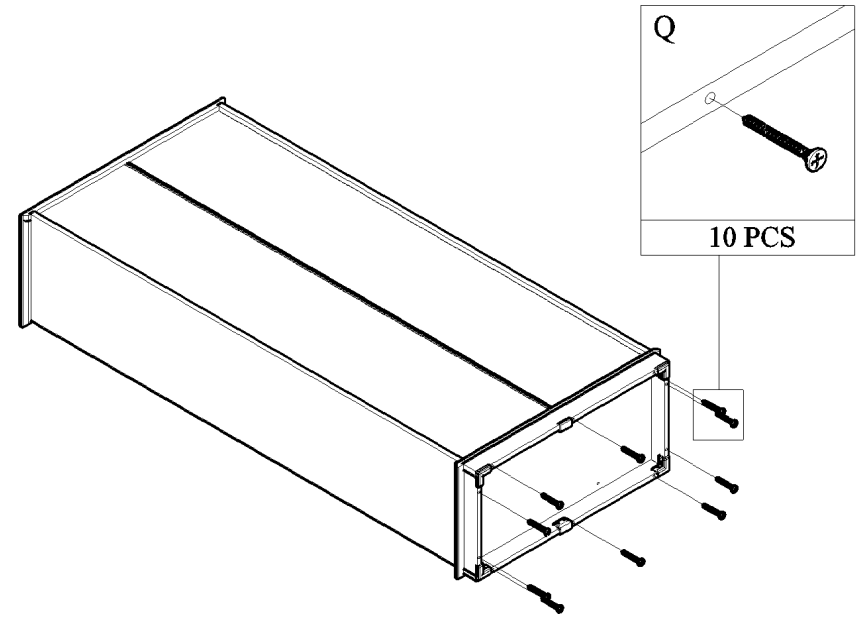
STEP 8



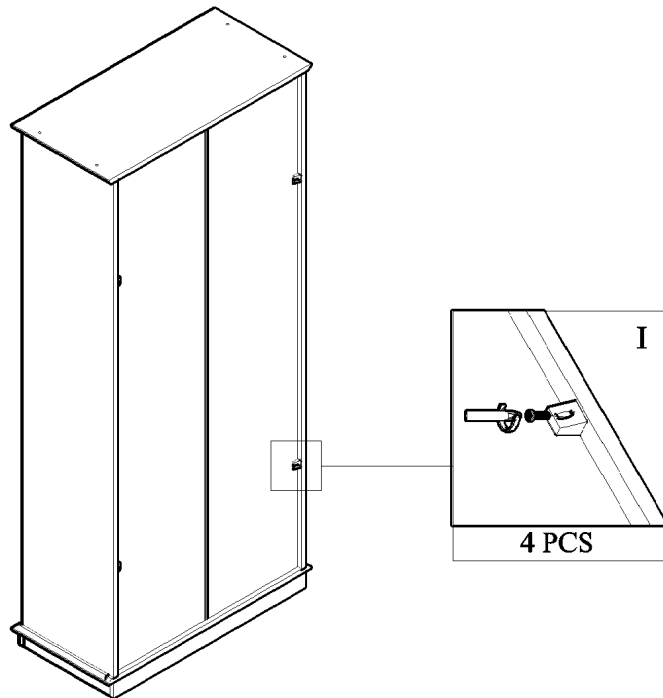
STEP 9



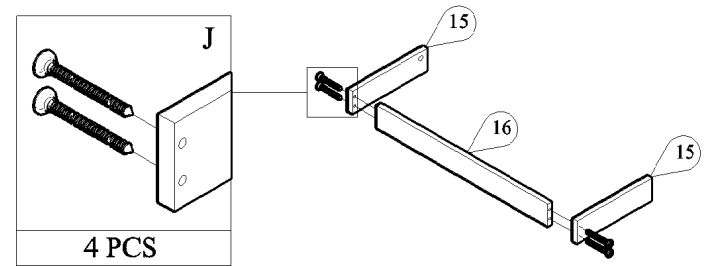
STEP 10



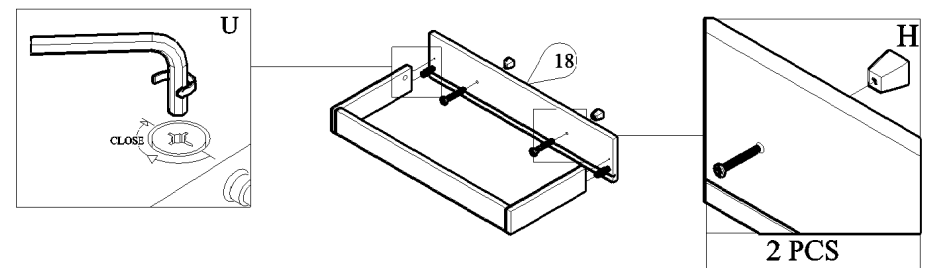
STEP 11



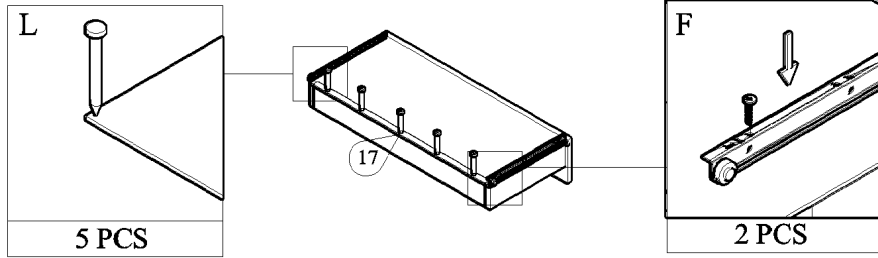
STEP 12



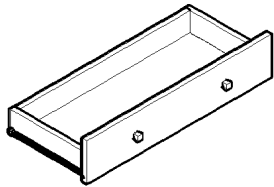
STEP 13



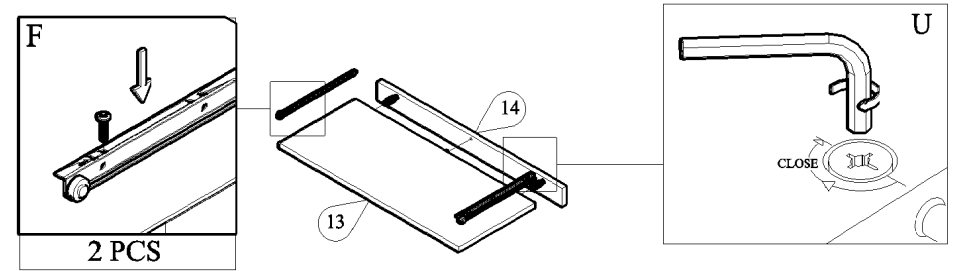
STEP 14



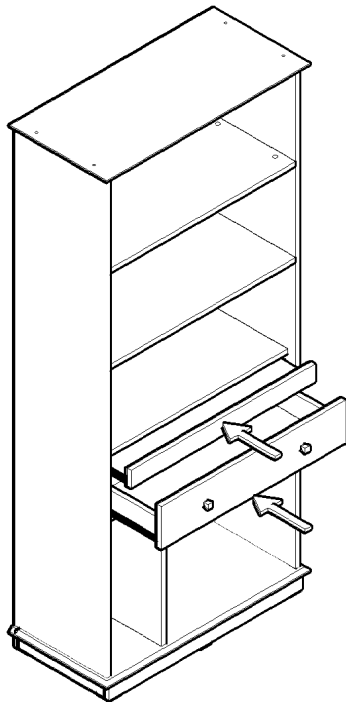
COMPLETED DRAWER



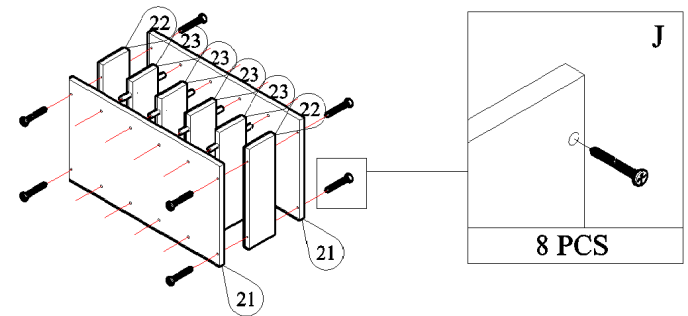
STEP 15



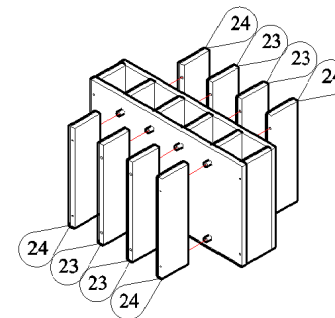
STEP 16



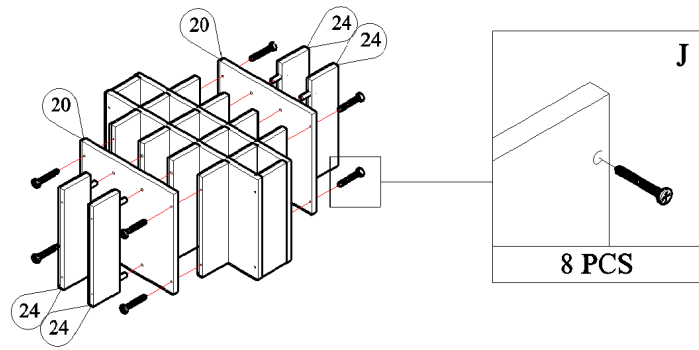
STEP 17



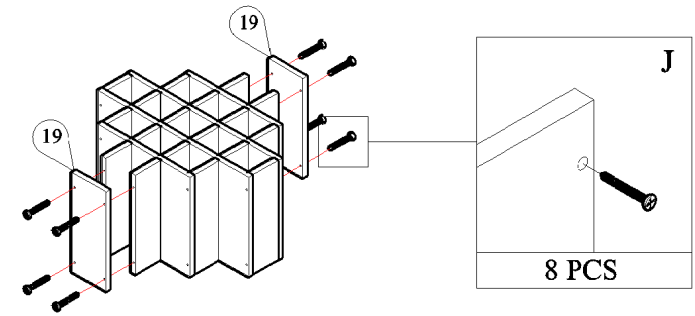
STEP 18



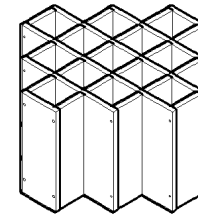
STEP 19



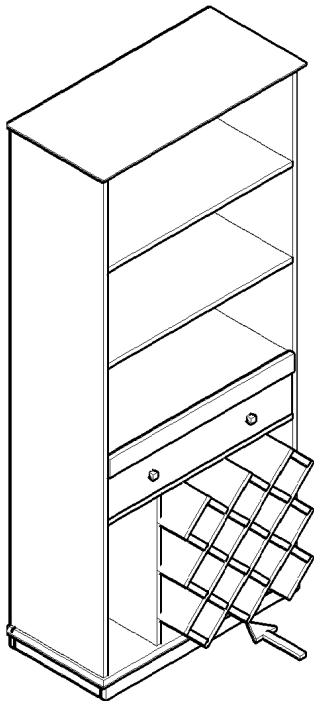
STEP 20



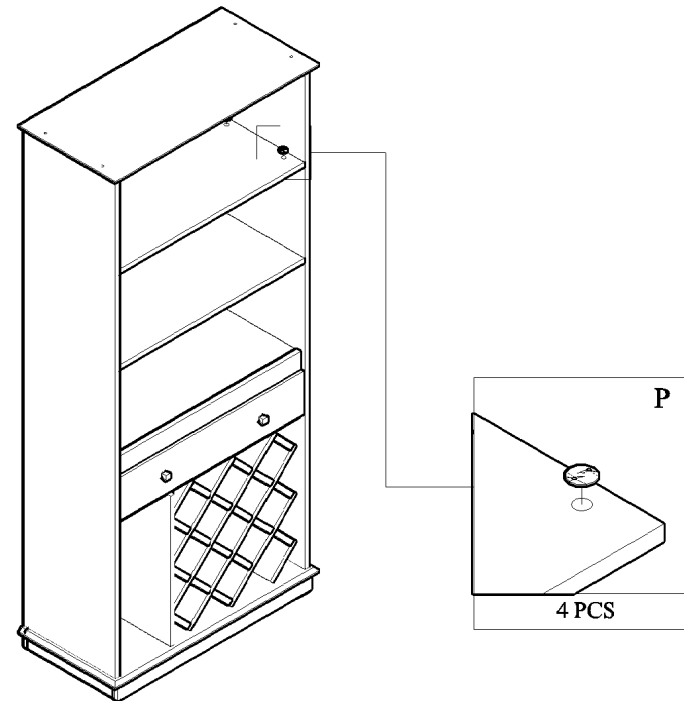
COMPLETED



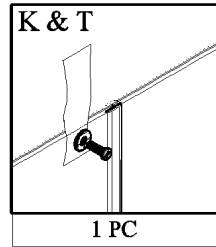
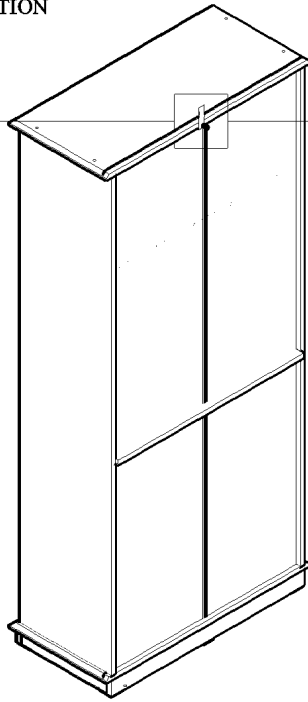
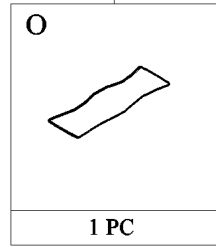
STEP 21



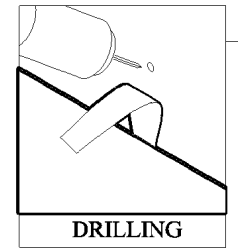
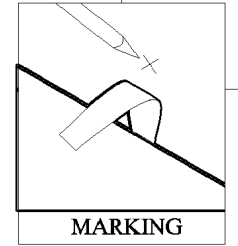
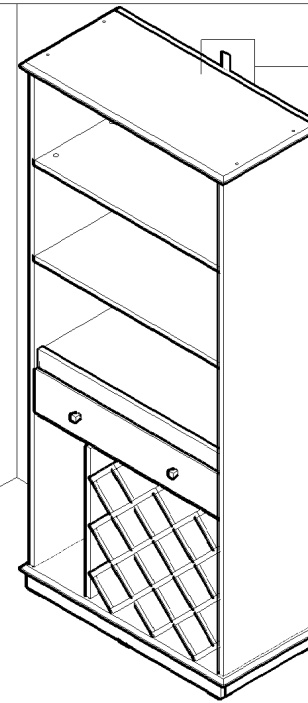
STEP 22



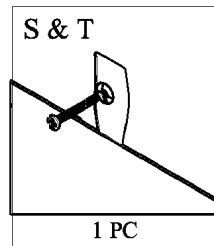
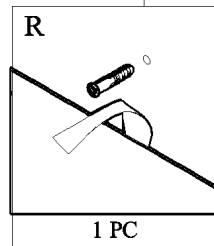
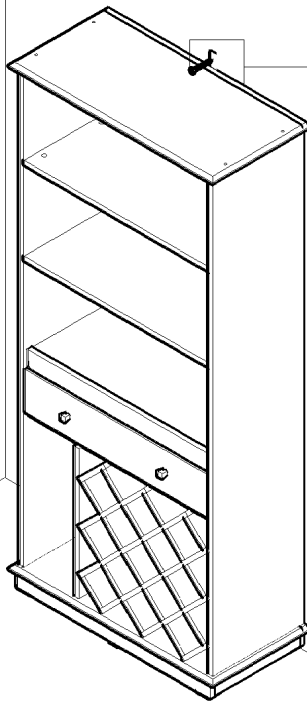
STEP 23 ANTI TIPPERS INSTALLATION



STEP 24



STEP 25



COMPLETED

