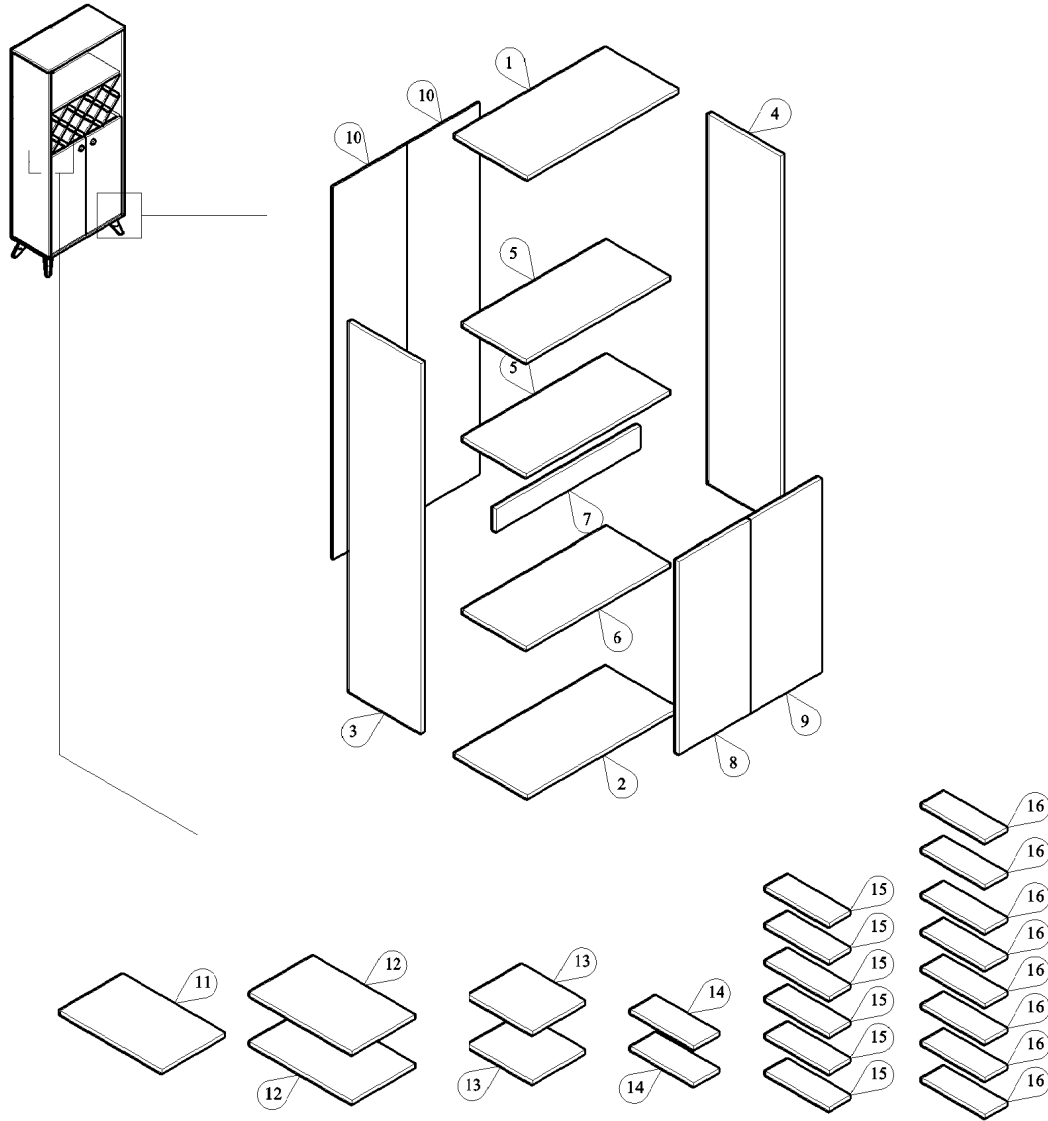
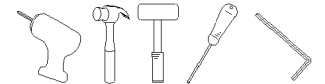
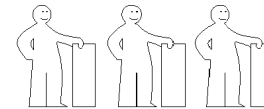
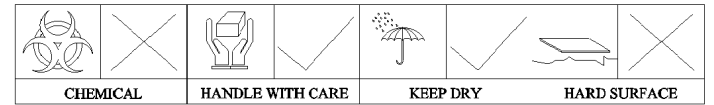


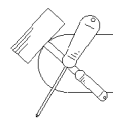
MODEL : SE WC 16001WI-DG/HO

PANEL POSITION



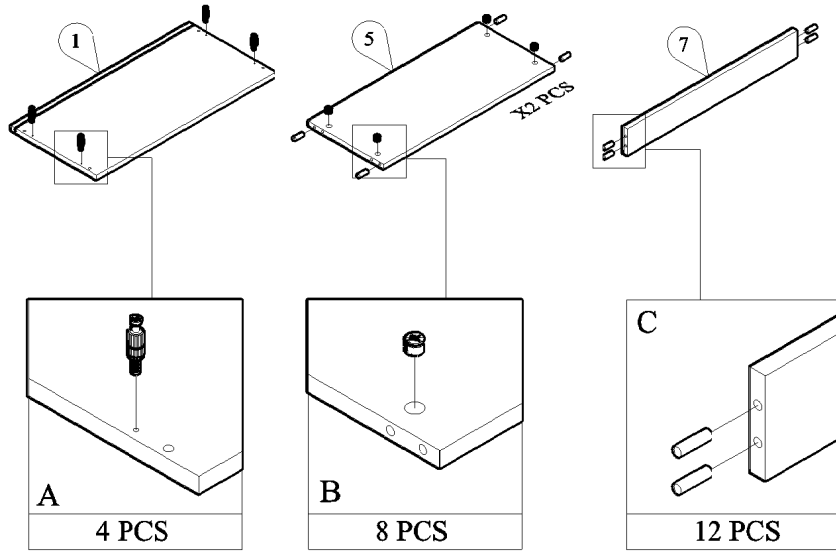
	ACCESSORIES	QUANTITY
A	MINIFIX M5 x 24MM	12 PCS
B	MINIFIX CASING	12 PCS
C	WOOD DOWEL M8 x 30MM	20 PCS
D	WOOD DOWEL M8 x 50MM	22 PCS
E	IRON SHELF SUPPORT	4 PCS
F	SCREW M6 x 50MM	4 PCS
G	PVC H RAIL	1 PC
H	HINGES 7/8" SCREW M3.5 x 16MM	4 PCS 24 PCS
I	PVC SQUARE KNOB (BLACK) SCREW M4 x 25MM	2 PCS 2 PCS
J	STUB SCREW M3x20MM (SV)	4 PCS 4 PCS
K	SCREW M4 x 38MM	16 PCS
L	PVC HANDLE SCREW M3.5 x 16MM	4 PCS 16 PCS
M	NYLON CABLE (BLACK)	1 PC
N	MINICAP	4 PCS
O	DAMPER	2 PCS
P	WALL PLUG	1 PC
Q	SCREW M4 x 28MM	1 PC
R	WOSE (SMALL)	2 PCS
S	ALLEN KEY	1 PC
T	SCREW M3.5 x 16MM	1 PC



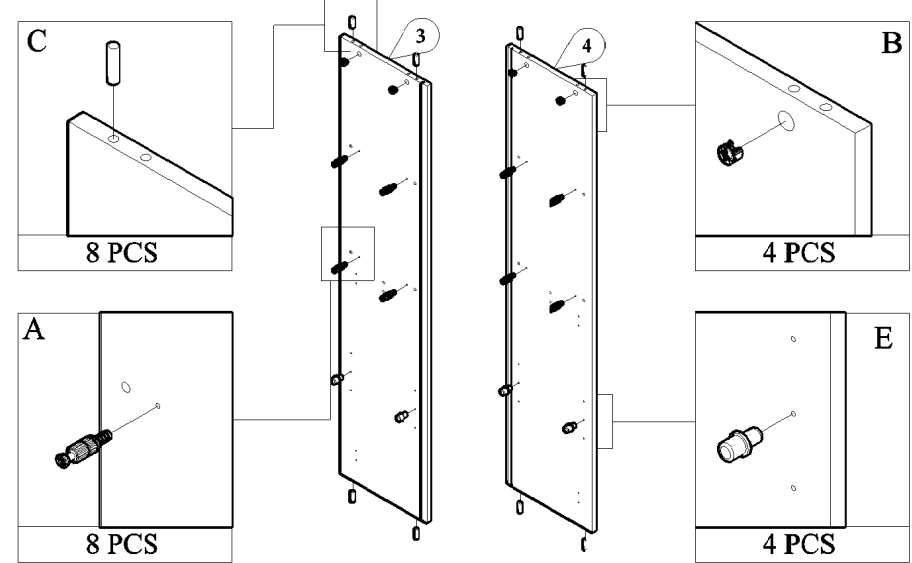


START ASSEMBLY

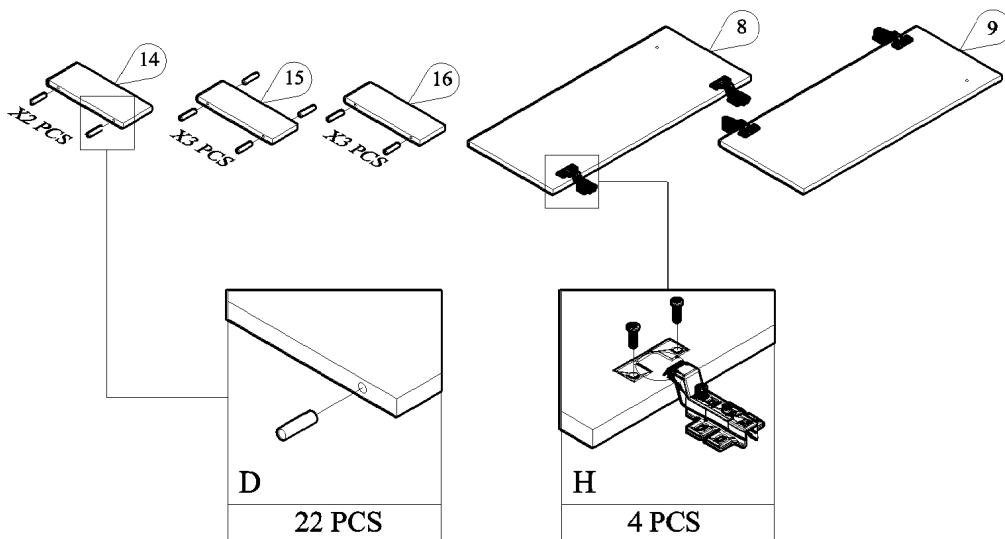
STEP 1



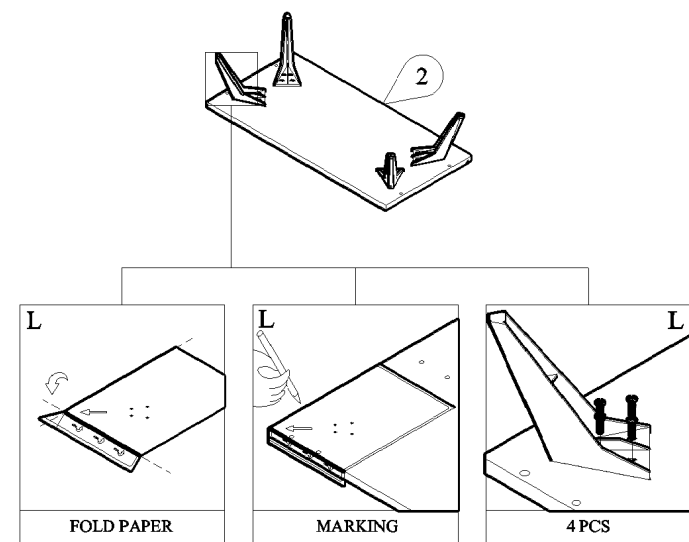
STEP 2



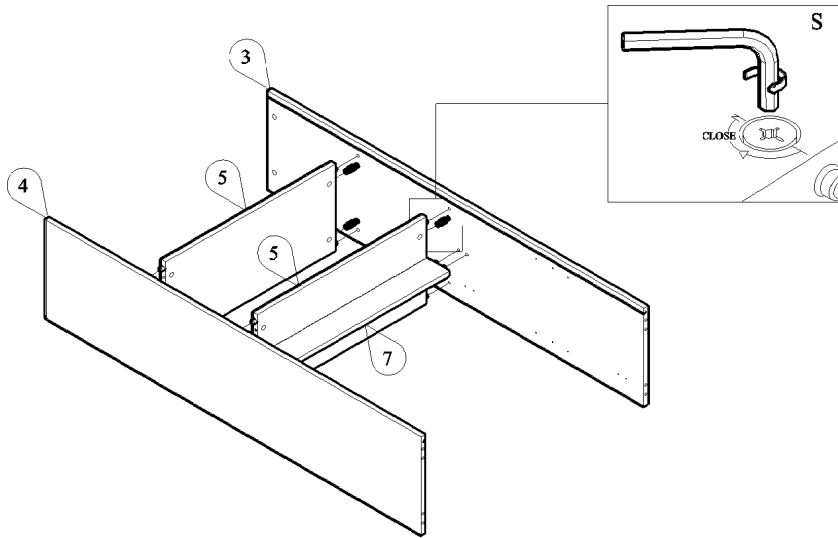
STEP 3



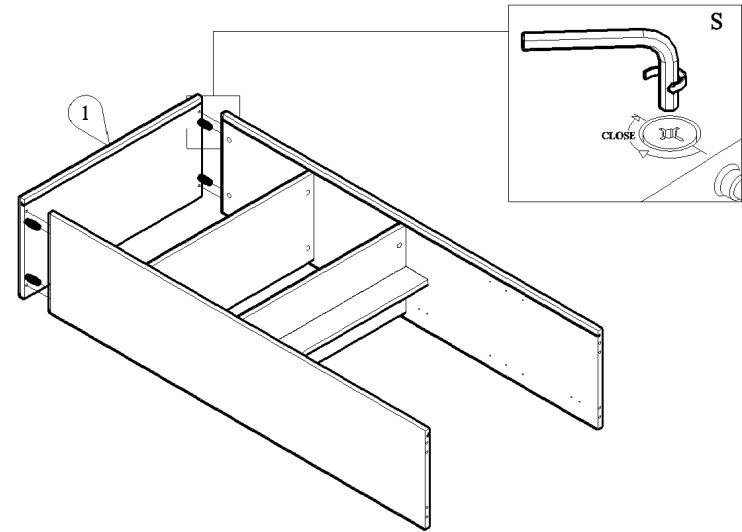
STEP 4



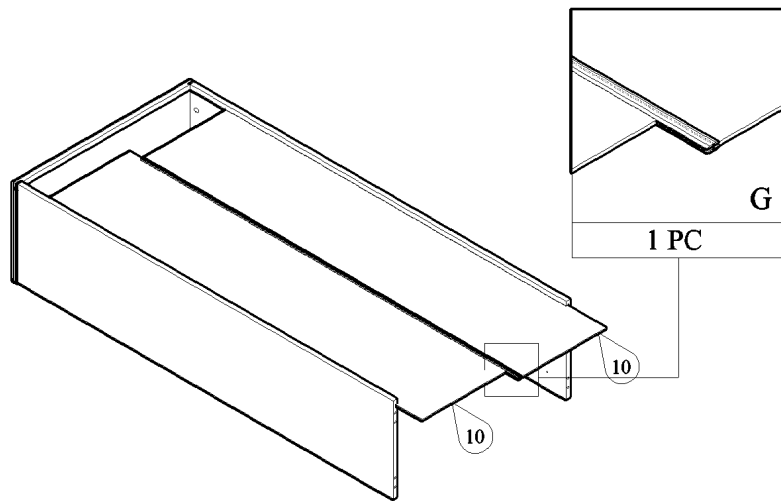
STEP 5



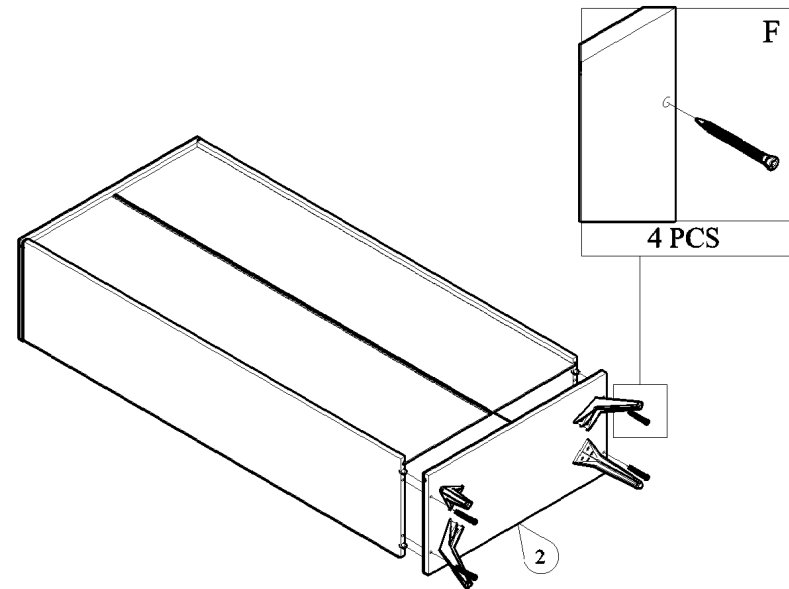
STEP 6



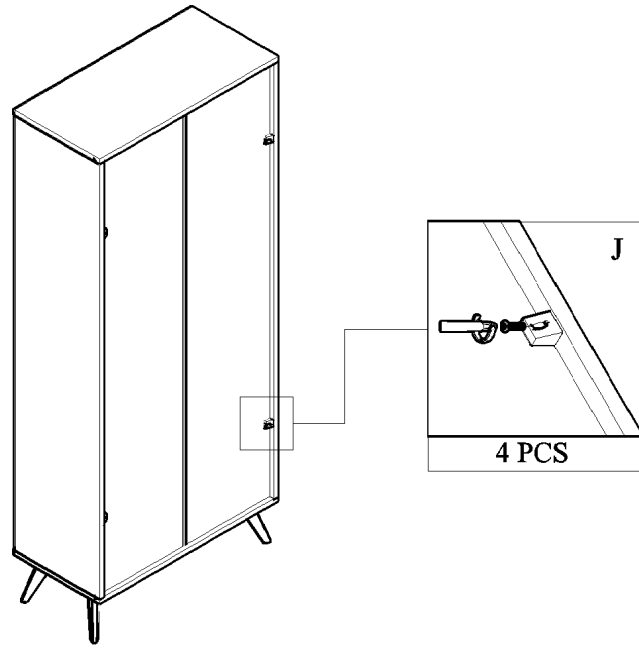
STEP 7



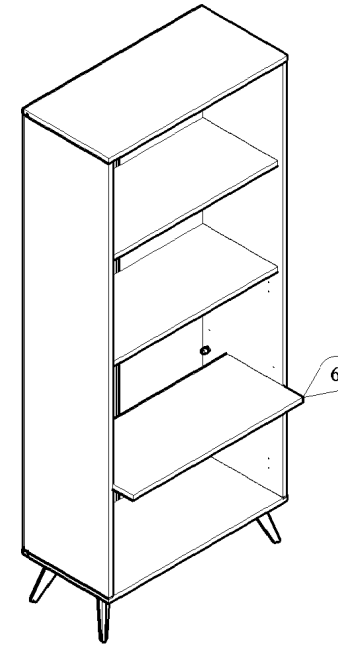
STEP 8



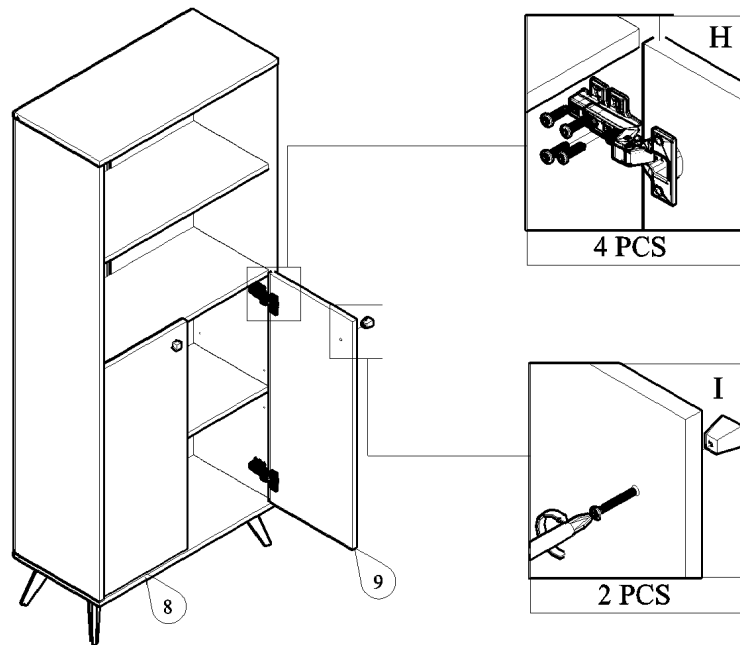
STEP 9



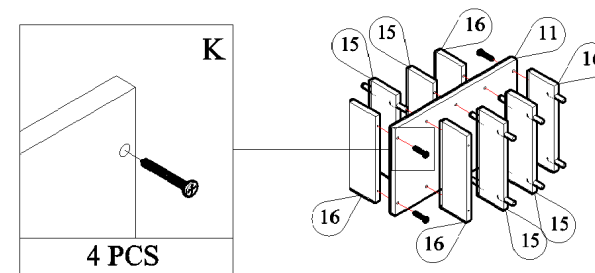
STEP 10



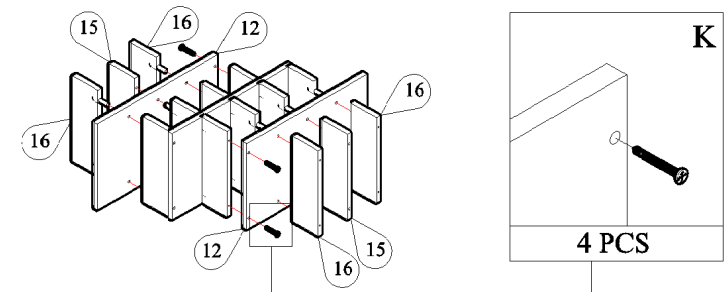
STEP 11



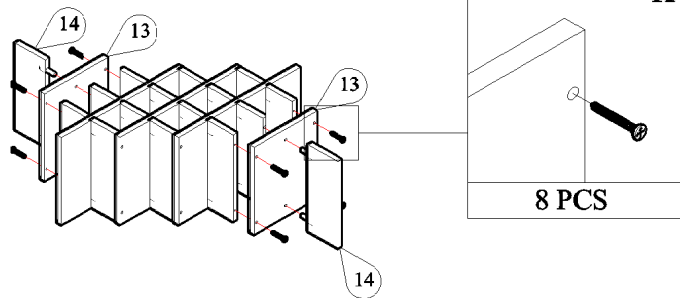
STEP 12



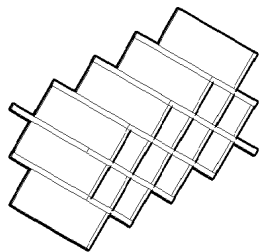
STEP 13



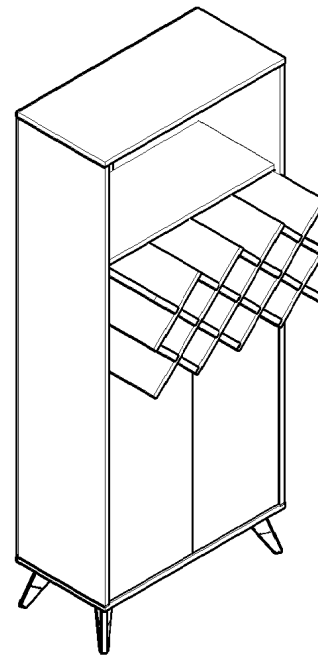
STEP 14



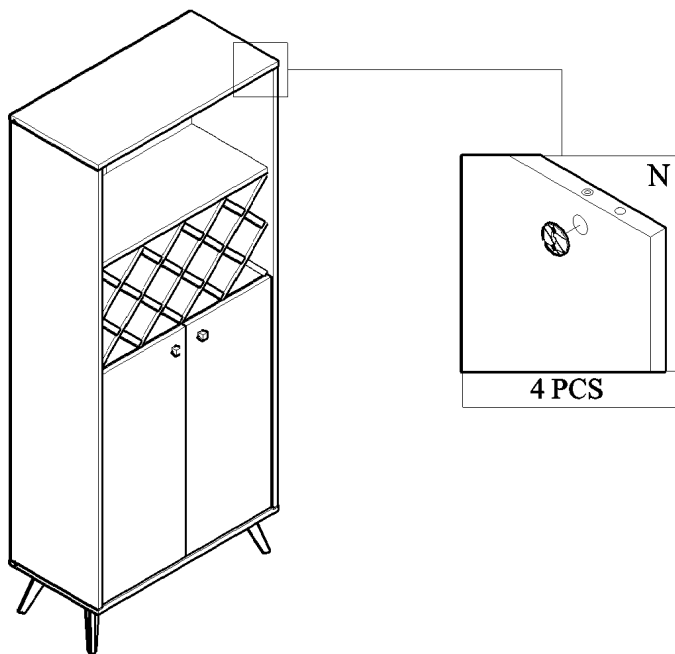
COMPLETED



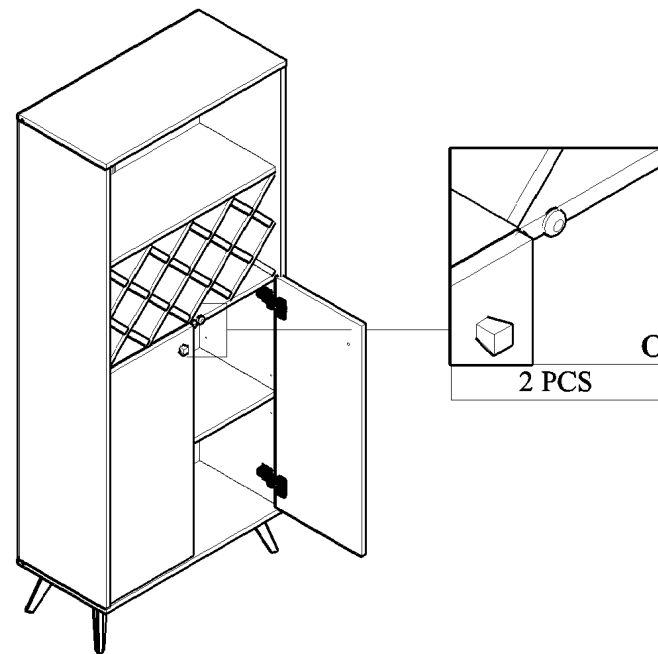
STEP 15



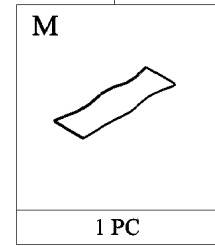
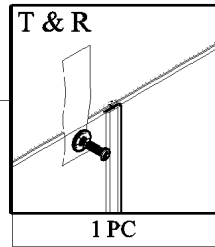
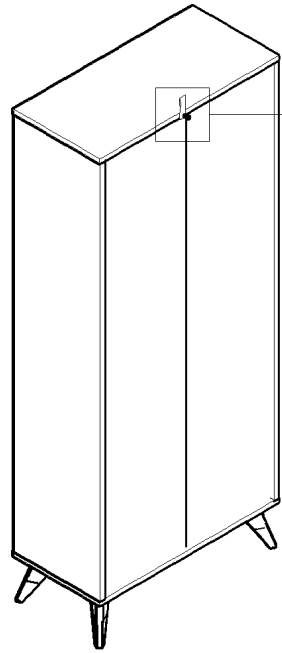
STEP 16



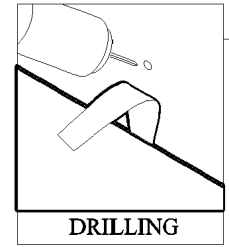
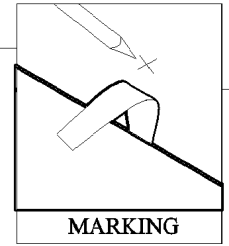
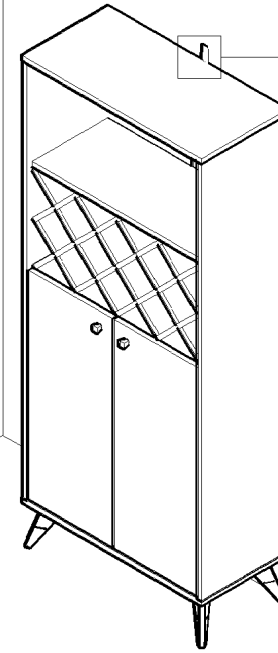
STEP 17



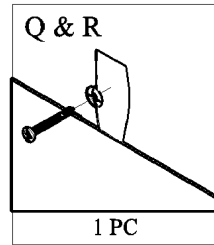
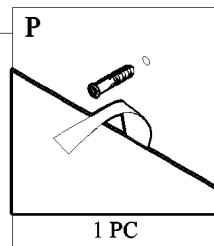
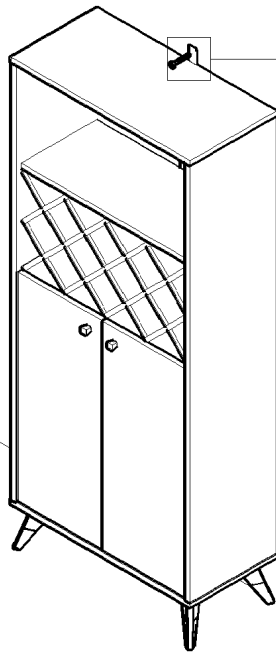
STEP 18 ANTI TIPPERS INSTALLATION



STEP 19



STEP 20



COMPLETED

