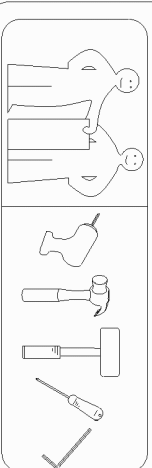
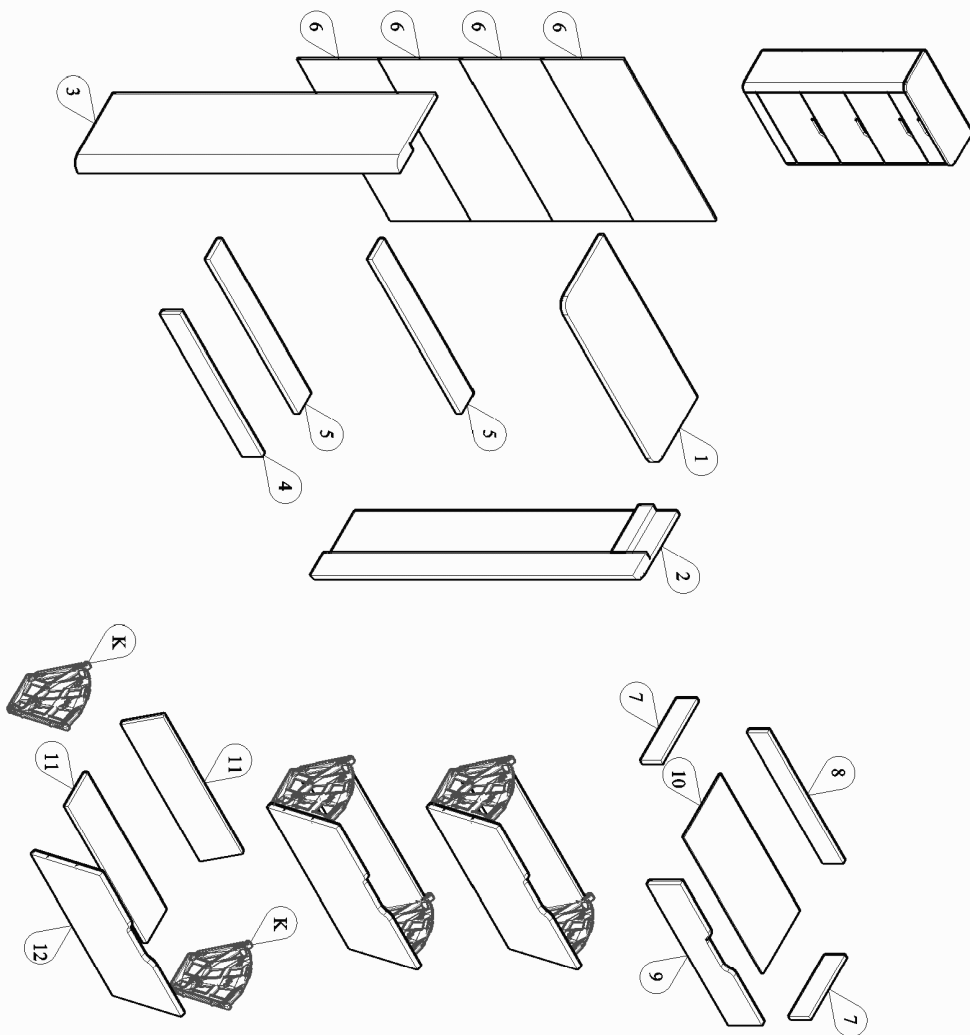


# MODEL = SE SC 214-US

PANEL POSITION

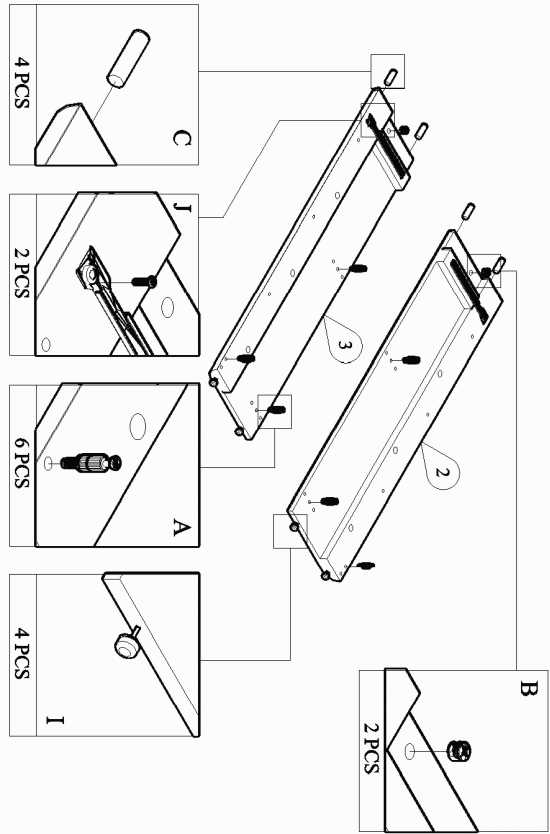


CHEMICAL	HANDLE WITH CARE	KEEP DRY	HAARD SUPERFICIE
<input checked="" type="checkbox"/>	<input checked="" type="checkbox"/>	<input checked="" type="checkbox"/>	<input checked="" type="checkbox"/>

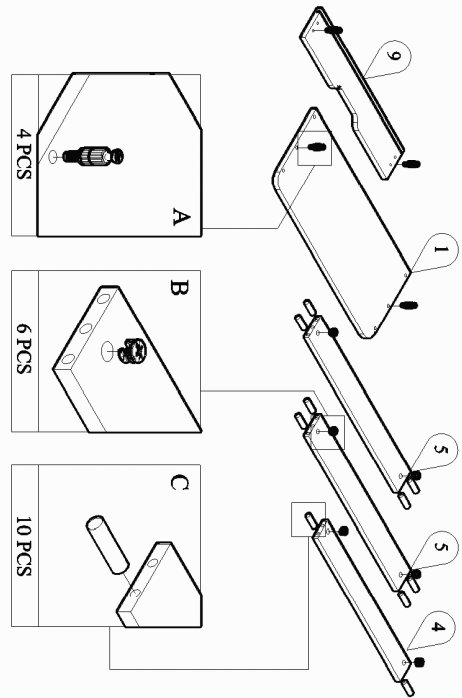
	ACCESSORIES	QUANTITY
A	MINIFIX M5x24MM 10 PCS	10 PCS
B	MINIFIX CASING 10 PCS	10 PCS
C	WOOD DOWEL M8x30MM 14 PCS	14 PCS
D	WOOD DOWEL M6x30MM 2 PCS	2 PCS
E	SCREW M4x32MM 10 PCS	10 PCS
F	SCREW M4x16MM 12 PCS	12 PCS
G	SCREW M3.5x16MM 12 PCS	12 PCS
H	POWER PIN 35 PCS	35 PCS
I	WHITE LEG PIN 4 PCS	4 PCS
J	DRAWER SLIDE 10" SCREW M3.5x12MM 1 SET 12 PCS	1 SET 12 PCS
K	BRACKET 3 SETS	3 SETS
L	L-BRACKET 1 PC	1 PC
M	SCREW M3.5x16MM 1 PC	1 PC
N	WALL PLUG 1 PC	1 PC
O	SCREW M4x28MM 1 PC	1 PC
P	ALLEN KEY 1 PC	1 PC

START ASSEMBLY

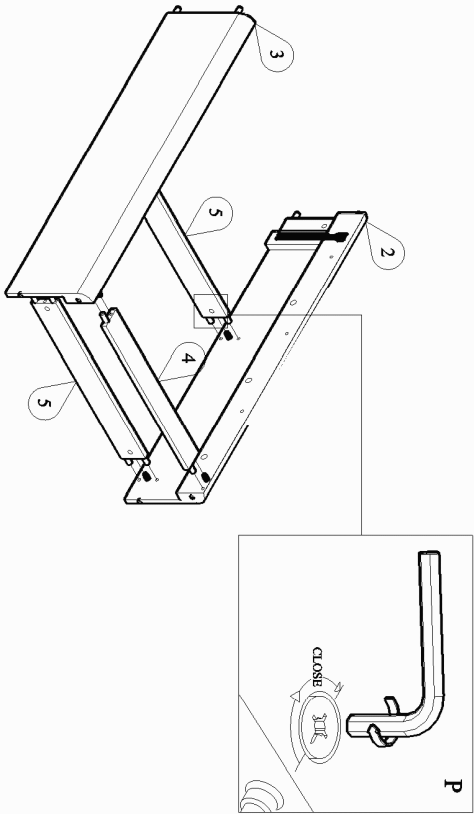
STEP 1



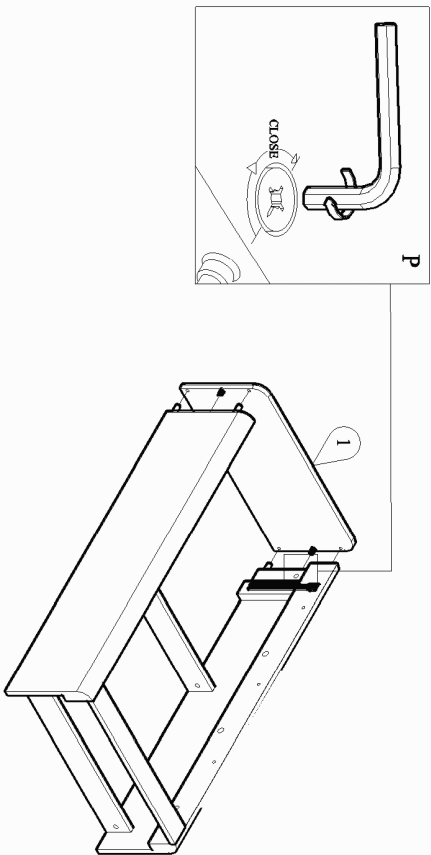
STEP 2



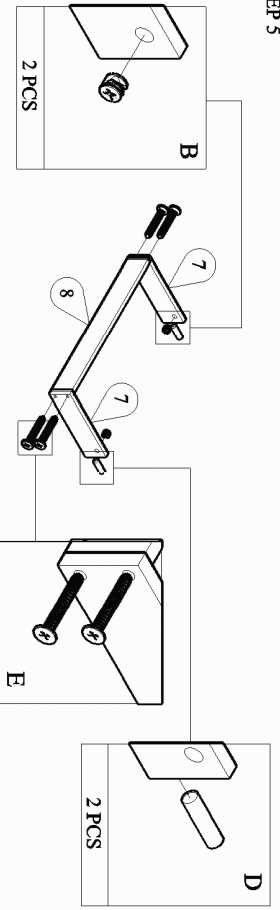
STEP 3



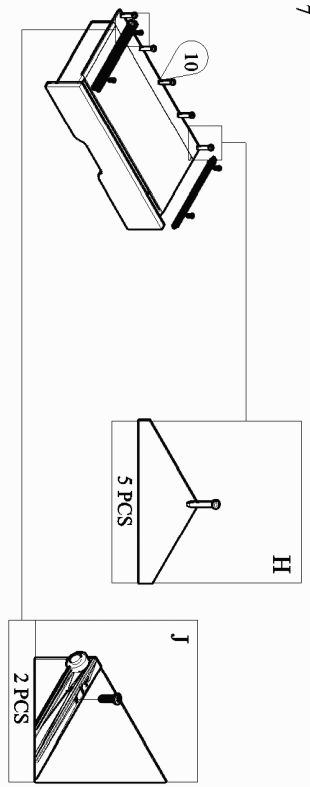
STEP 4



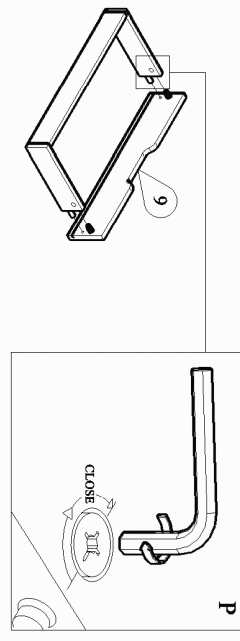
STEP 5



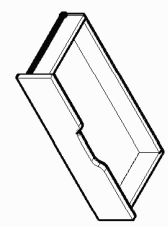
STEP 7



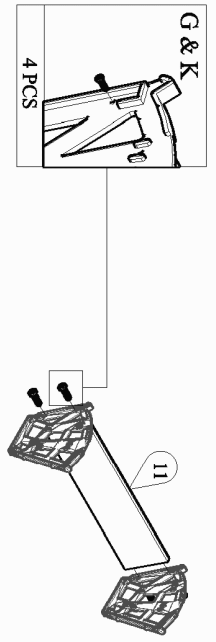
STEP 6



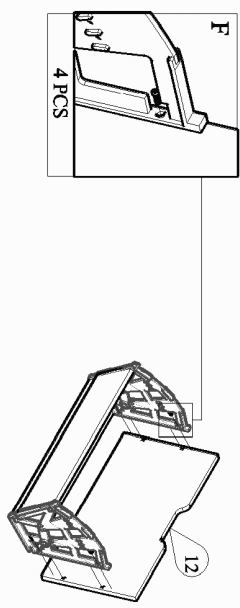
COMPLETED DRAWER SET



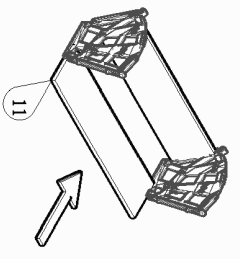
STEP 8



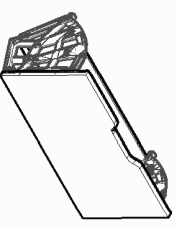
STEP 10



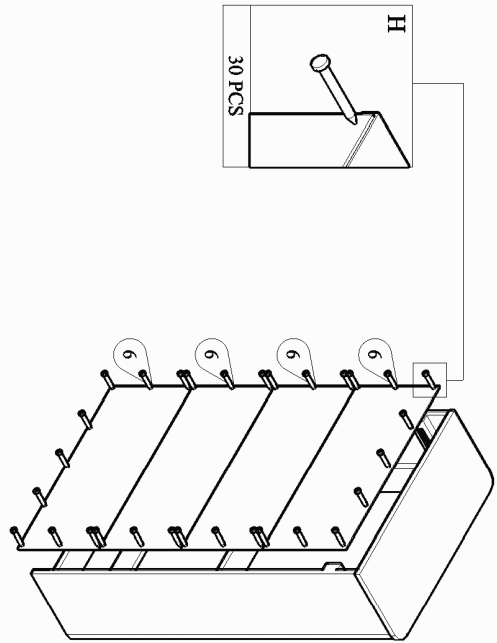
STEP 9



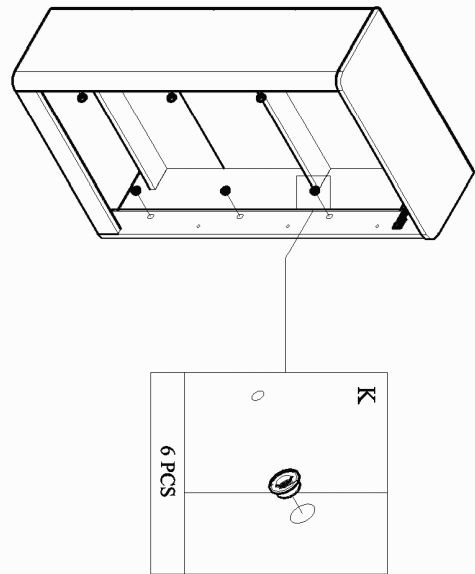
COMPLETED SHOES DRAWER (3 SETS)



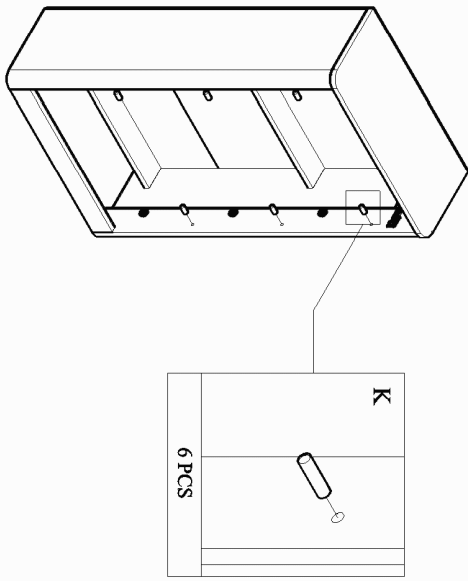
STEP 11



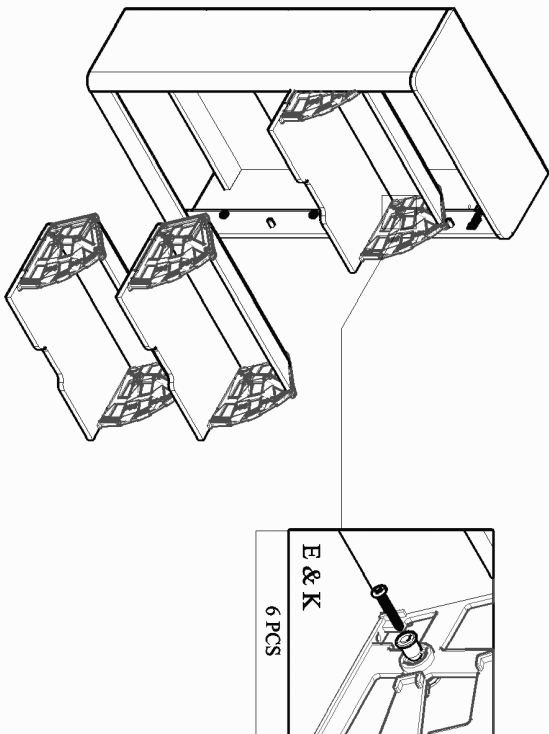
STEP 12



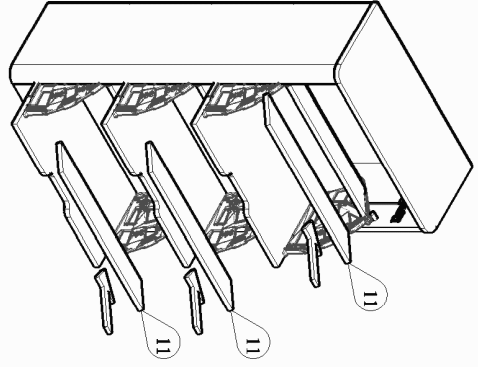
STEP 13



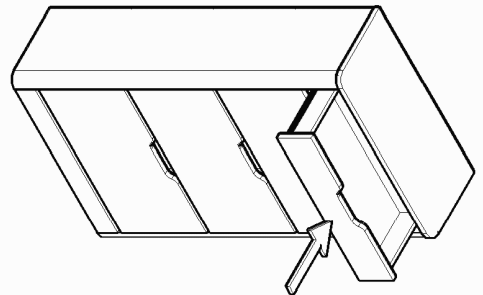
STEP 14



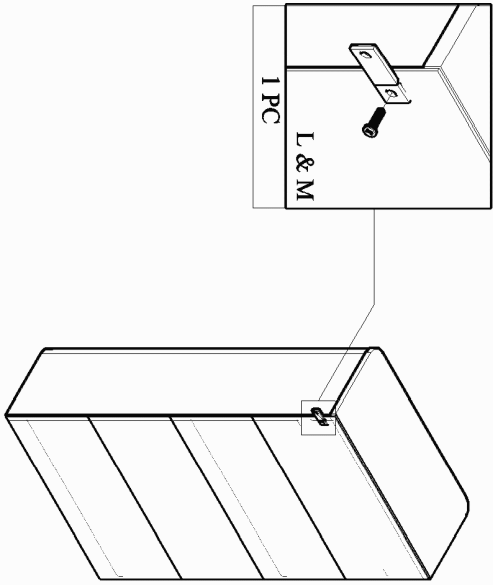
STEP 15



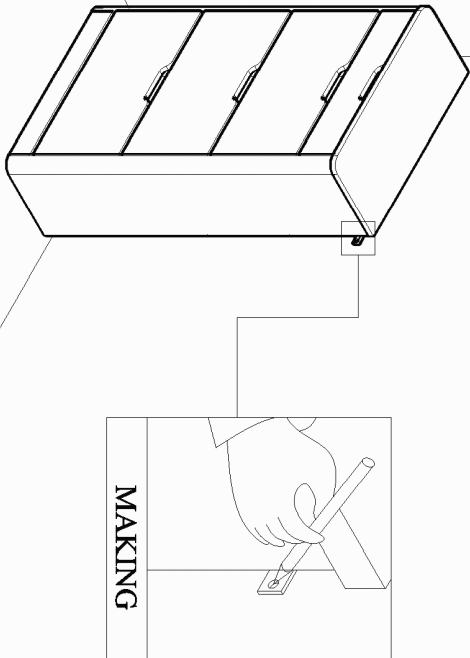
STEP 16



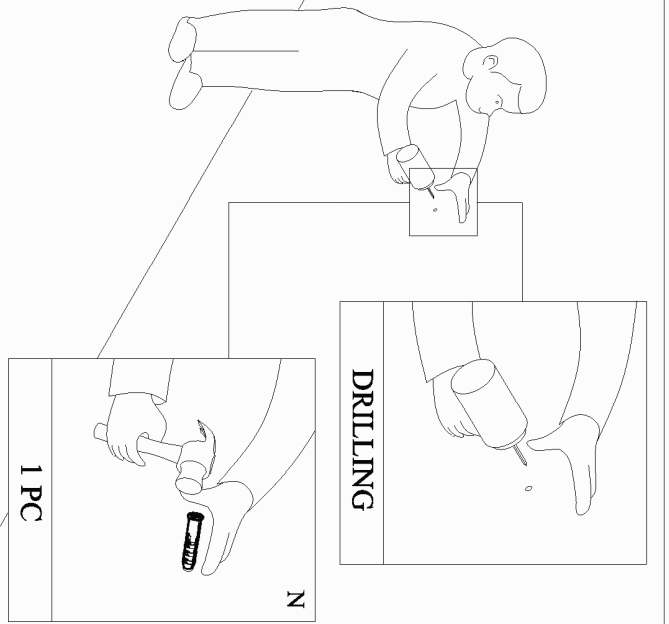
STEP 17



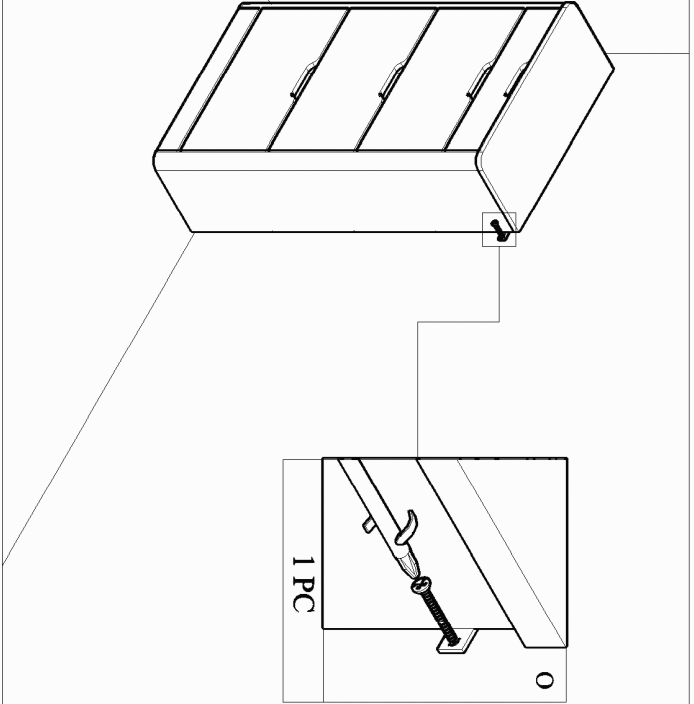
STEP 18



STEP 19



STEP 20



COMPLETED

