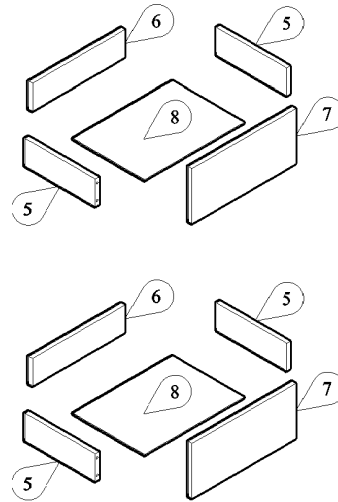
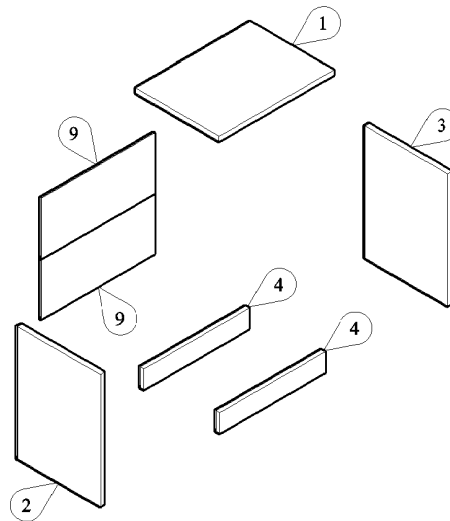
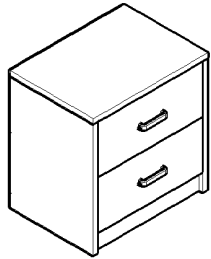












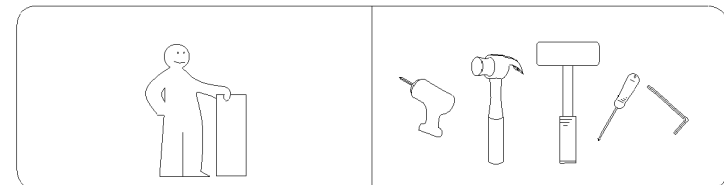
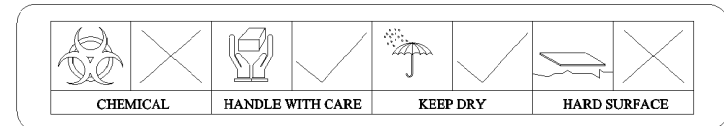


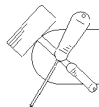
MODEL = SE NT 014US-CLB/DG

PANEL POSITION



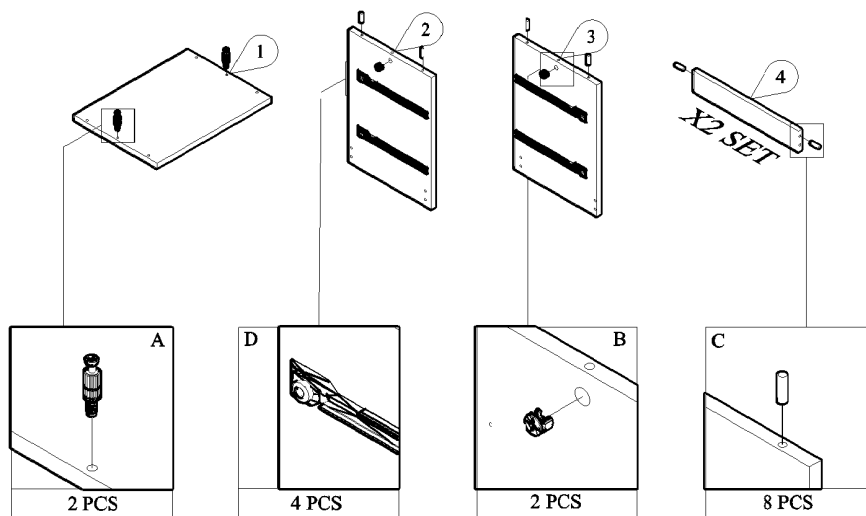
	ACCESSORIES	QUANTITY
A	 MINIFIX M5 x 24MM	6 PCS
B	 MINIFIX CASING	6 PCS
C	 WOOD DOWEL M8 x 30MM	12 PCS
D	 DRAWER SLIDE 12" SCREW M3.5 x 12MM	2 SET 24 PCS
E	 SCREW M7 x 50MM	4 PCS
F	 SCREW M4 x 38MM	8 PCS
G	 WHITE PIN LEG	6 PCS
H	 POWER PIN	30 PCS
I	 HANDLE SCREW M4 x 30MM	2 PCS 4 PCS
J	 ALLEN KEY (M4)	1 PC



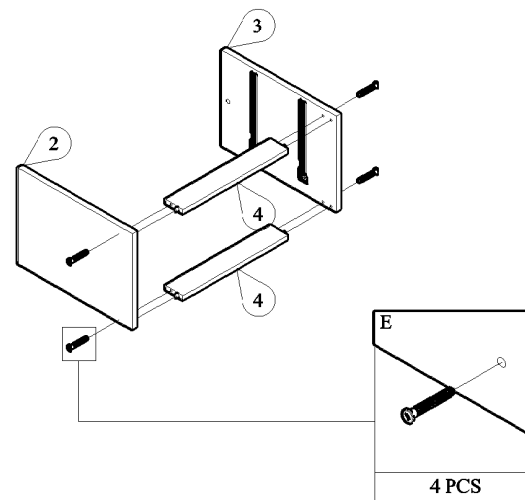


START ASSEMBLY

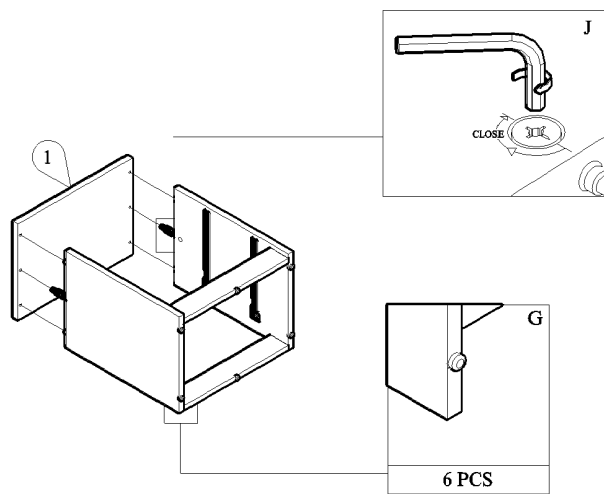
STEP 1



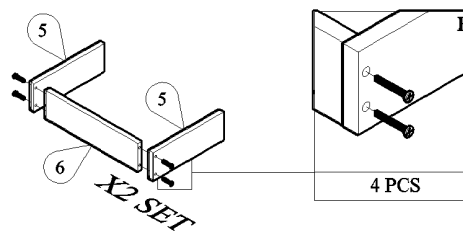
STEP 2



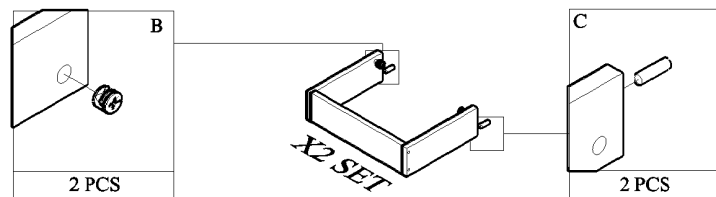
STEP 3



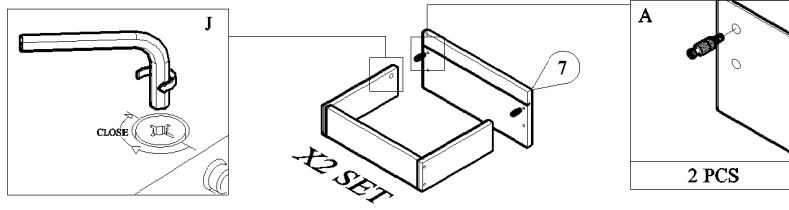
STEP 4



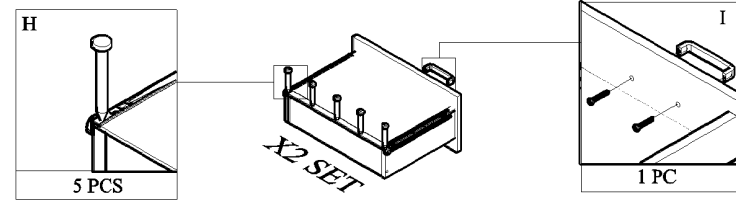
STEP 5



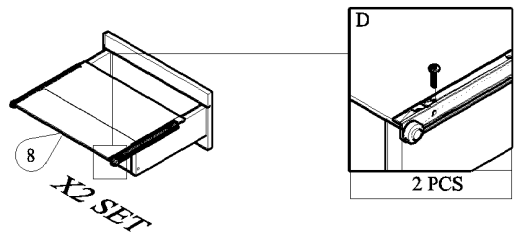
STEP 6



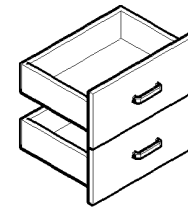
STEP 8



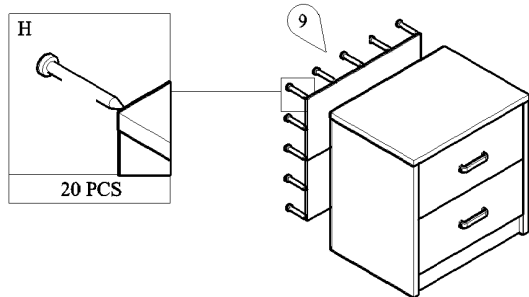
STEP 7



COMPLETED DRAWER



STEP 9



COMPLETED

