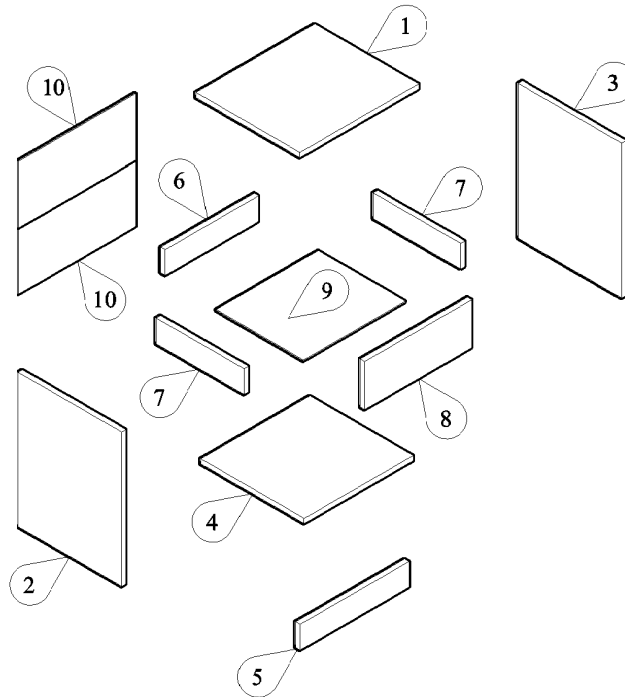
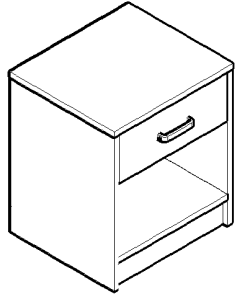


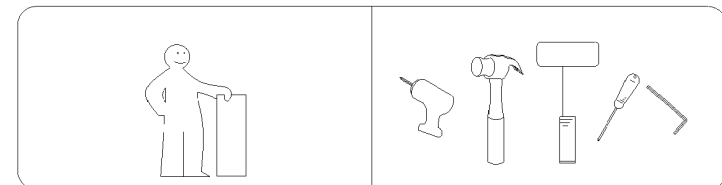
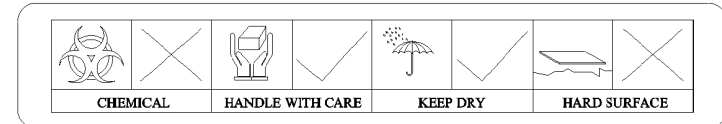


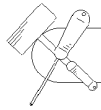
MODEL = SE NT 009US-CLB/DG

PANEL POSITION



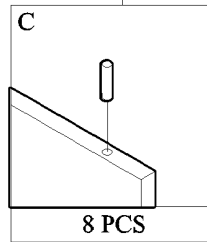
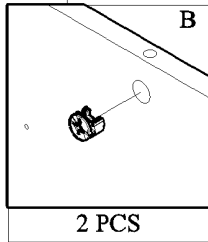
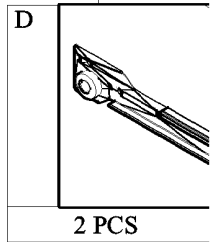
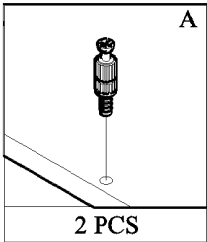
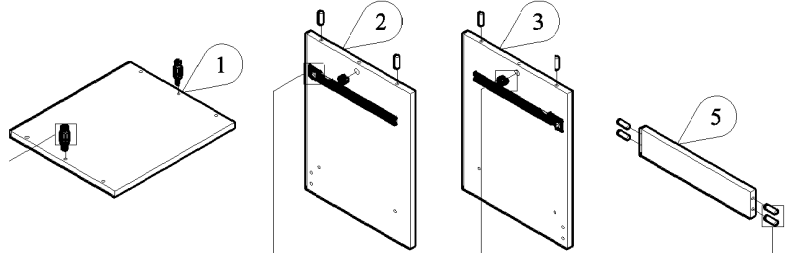
	ACCESSORIES	QUANTITY
A	MINIFIX M5 x 24MM	4 PCS
B	MINIFIX CASING	4 PCS
C	WOOD DOWEL M8 x 30MM	10 PCS
D	DRAWER SLIDE 12" SCREW M3.5 x 12MM	1 SET 12 PCS
E	SCREW M7 x 50MM	4 PCS
F	SCREW M4 x 38MM	4 PCS
G	WHITE PIN LEG	4 PCS
H	POWER PIN	25 PCS
I	HANDLE SCREW M4 x 30MM	1 PC 2 PCS
J	ALLEN KEY (M4)	1 PC



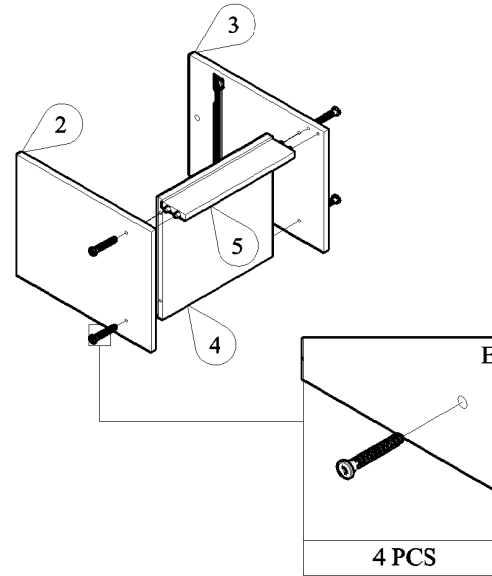


# START ASSEMBLY

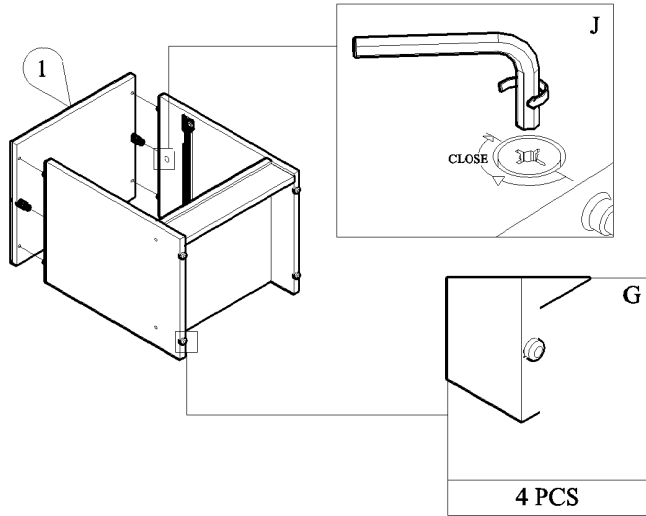
## STEP 1



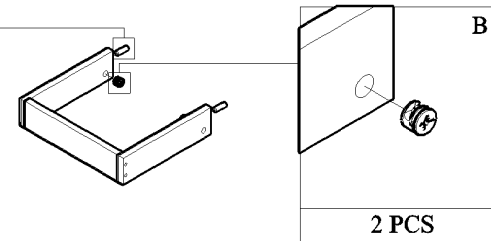
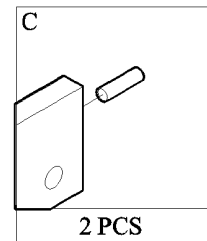
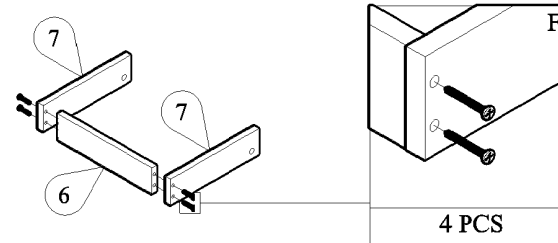
## STEP 2



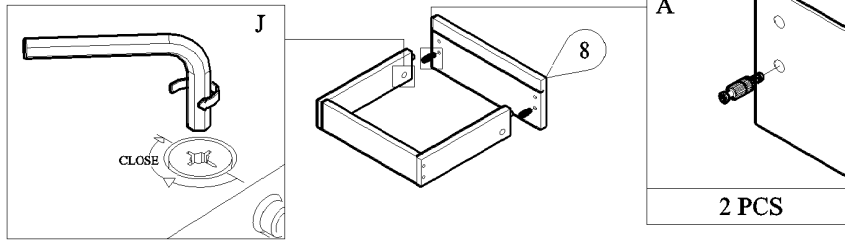
## STEP 3



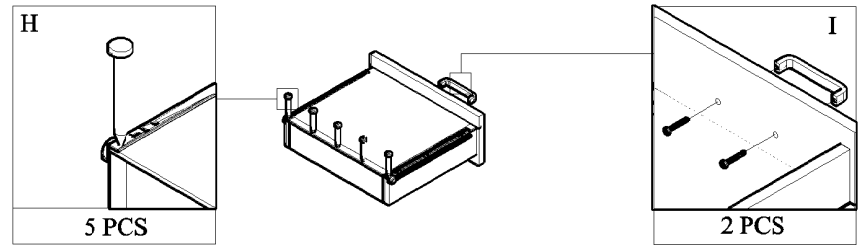
## STEP 4



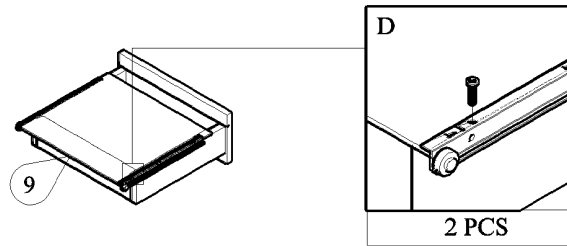
STEP 5



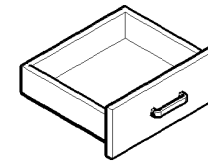
STEP 7



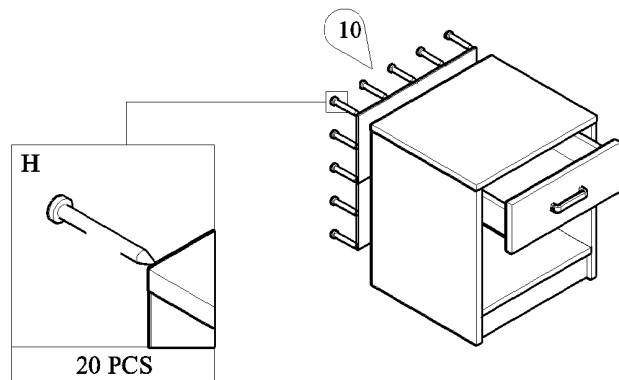
STEP 6



COMPLETED DRAWER



STEP 8



COMPLETED

