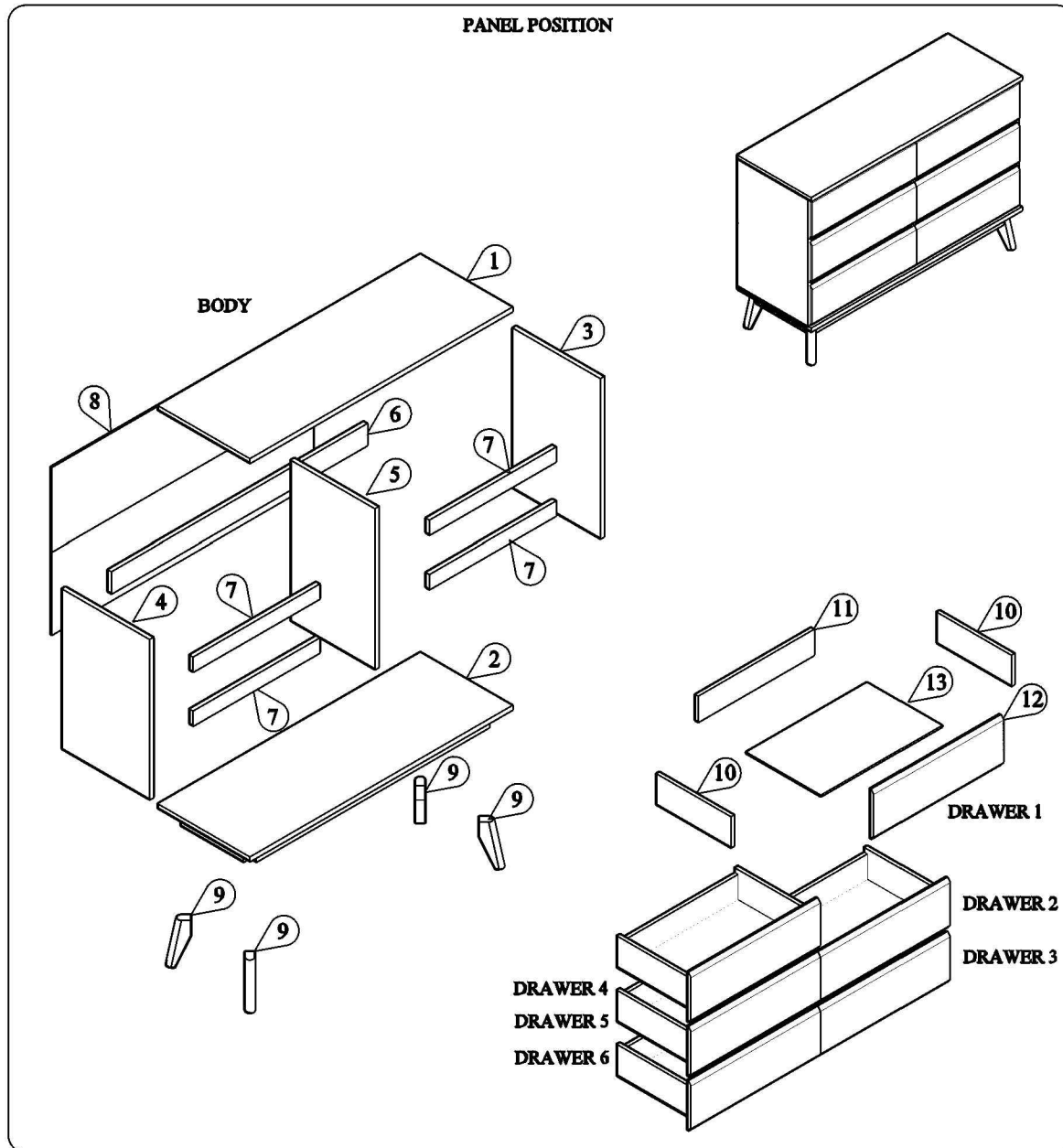


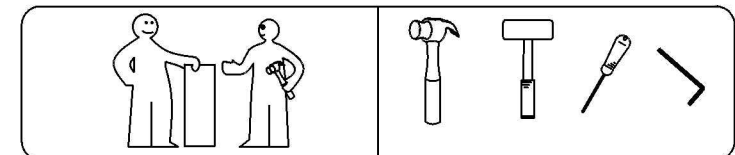
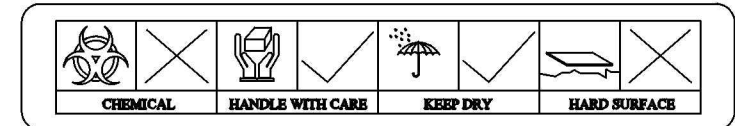


MODEL : SE COD 5015US-HO/DG

PANEL POSITION



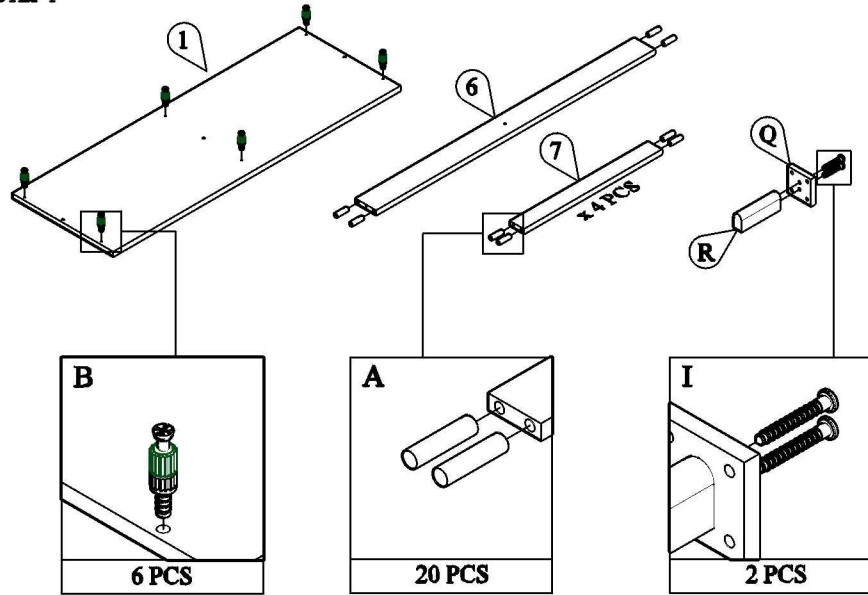
	ACCESSORIES	QUANTITY
A	WOOD DOWEL M6 x 30MM	20 PCS
B	MINIFIX M5 x 24MM	6 PCS
C	MINIFIX CASING	6 PCS
D	DRAWER SLIDE 14" SCREW M3.5 x 12MM	6 SETS 72 PCS
E	SCREW M4 x 38MM	49 PCS
F	CPWOOD SCREW M6 x 50MM	7 PCS
G	SCREW CAP	2 PCS
H	POWER PIN	78 PCS
I	JCBC SCREW M7 x 50MM	10 PCS
J	WOOD DOWEL M8 x 30MM	7 PCS
K	WHITE LEG PIN	5 PCS
L	PVC H RAIL	1 PC
M	WALL HANGER SCREW M3.5 x 16MM	1 PC 1 PC
N	WALL PLUG	1 PC
O	SCREW M4 x 28MM	5 PCS
P	ALLEN KEY	1 PC
Q	CENTER LEG SUPPORT PANEL	1 PC
R	CENTER LEG PANEL	1 PC



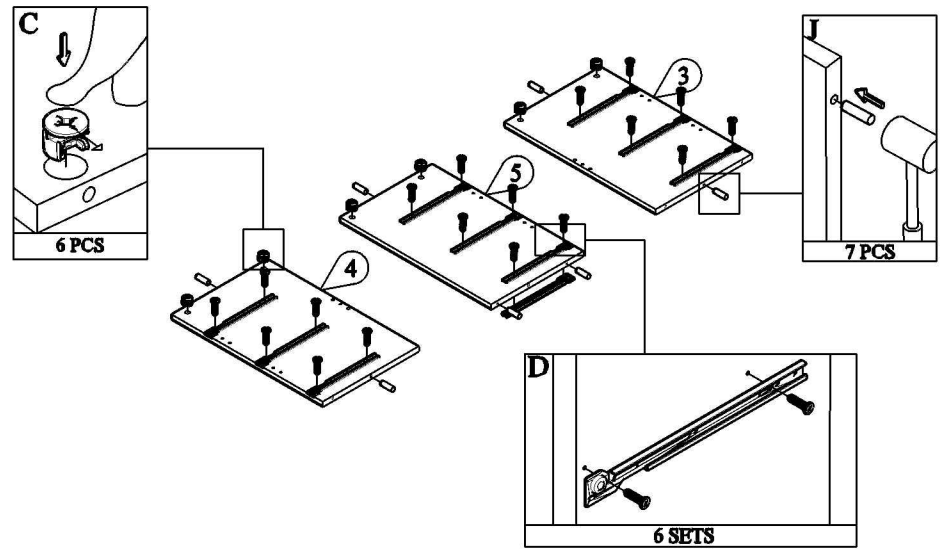


START ASSEMBLY

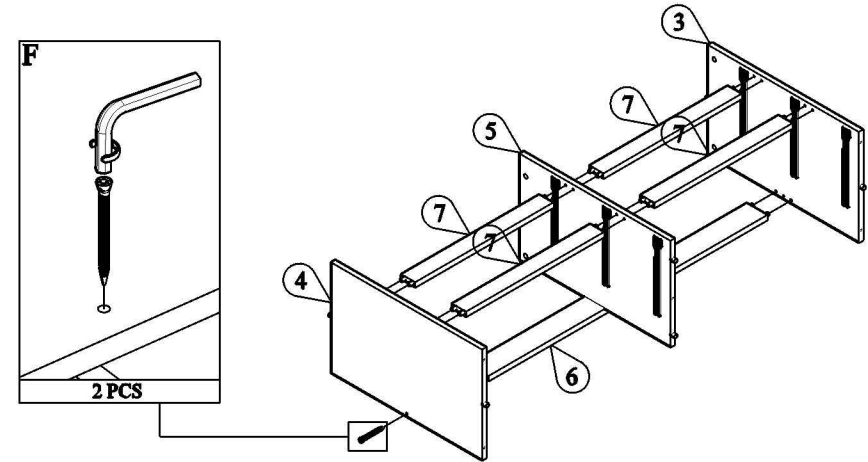
STEP 1



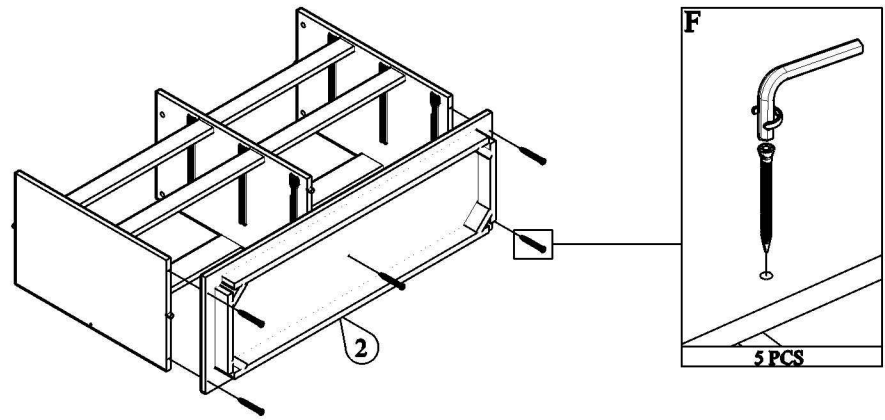
STEP 2



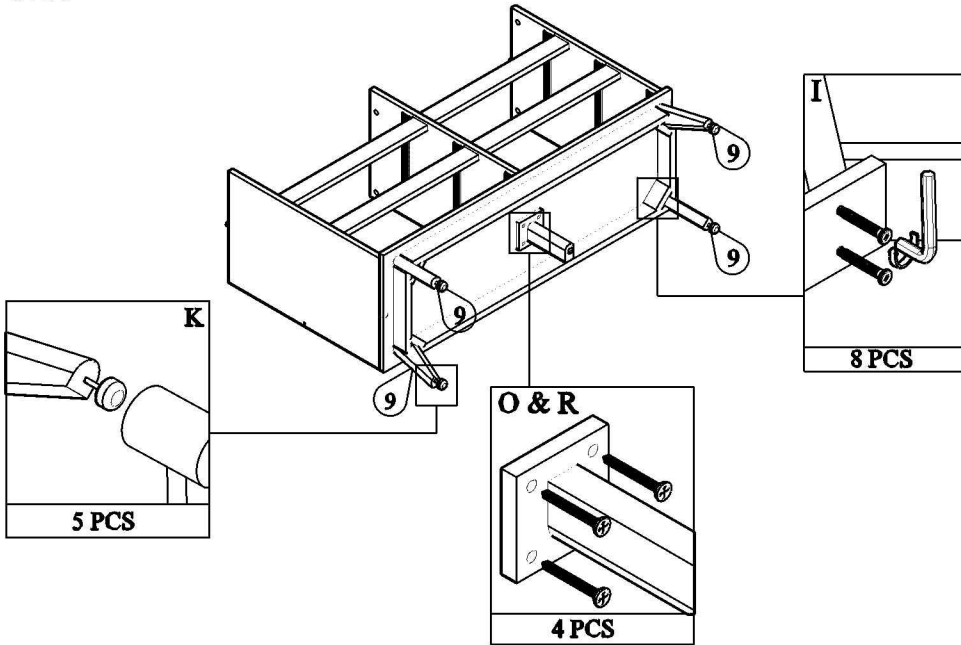
STEP 3



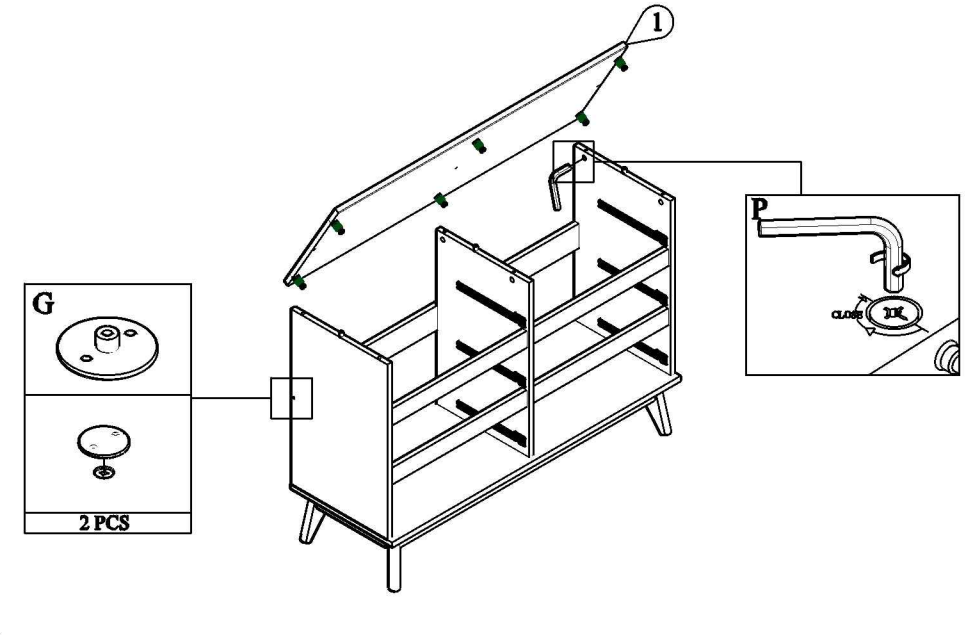
STEP 4



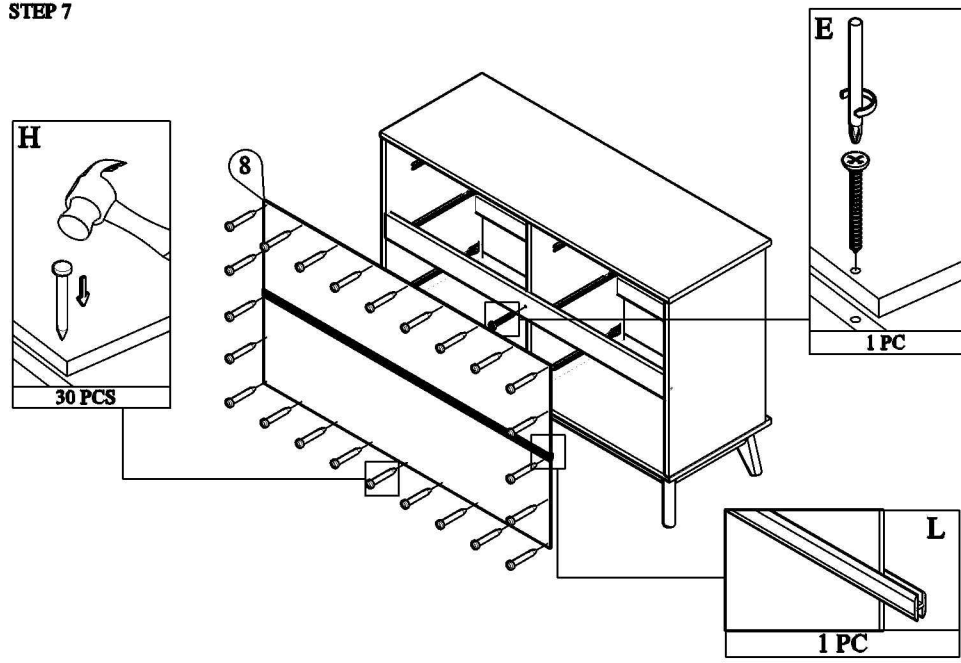
STEP 5



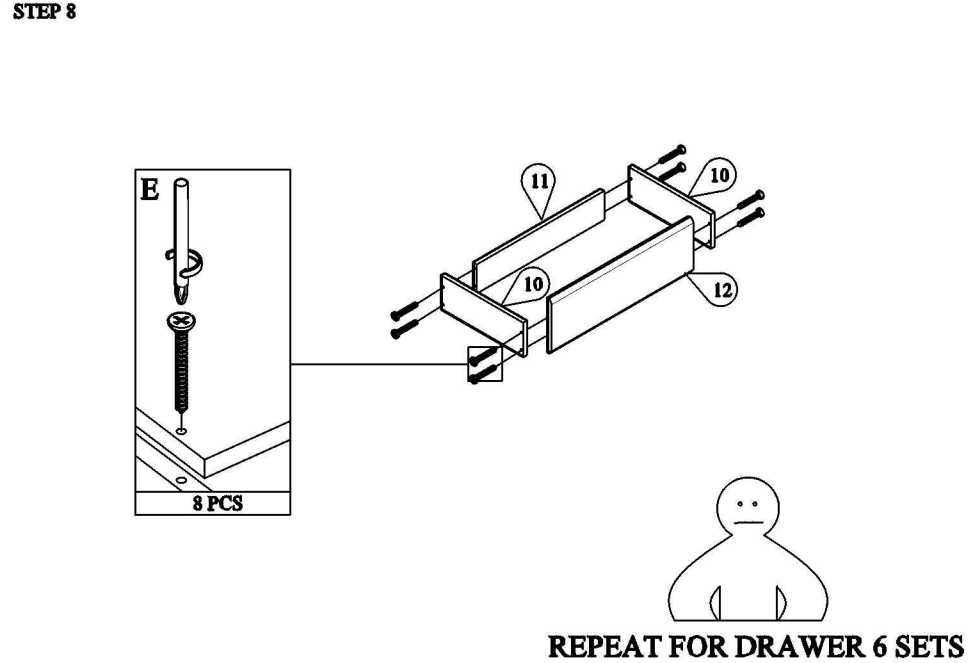
STEP 6



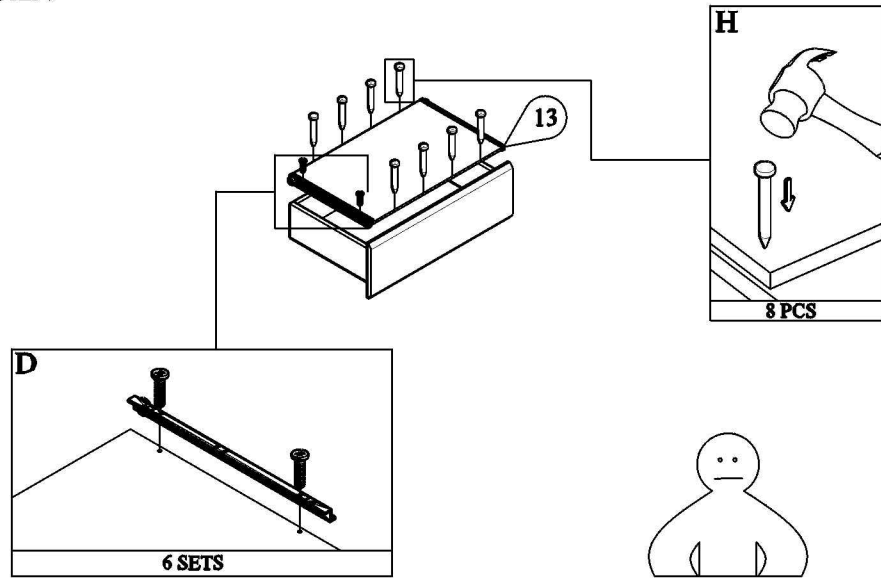
STEP 7



STEP 8

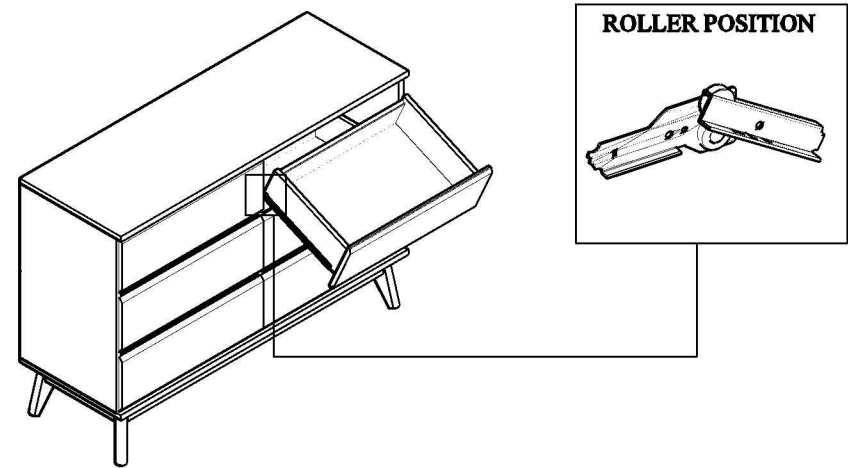


STEP 9

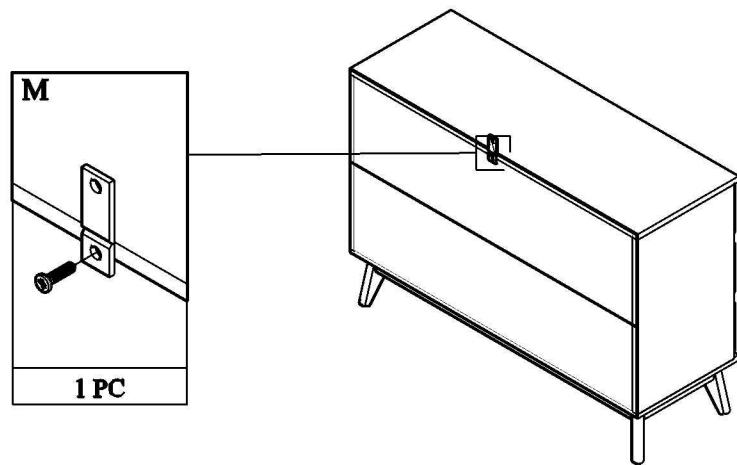


REPEAT FOR DRAWER 6 SETS

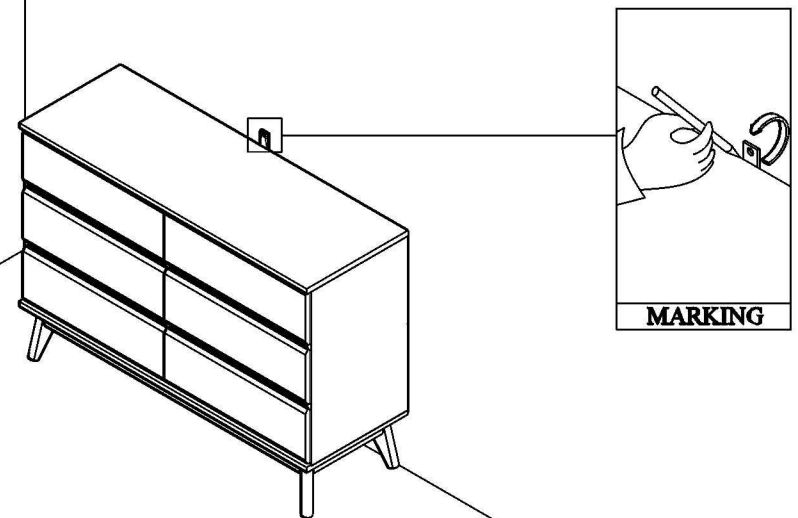
STEP 10



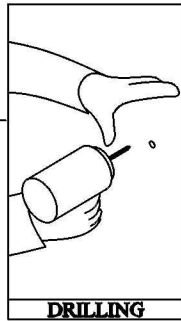
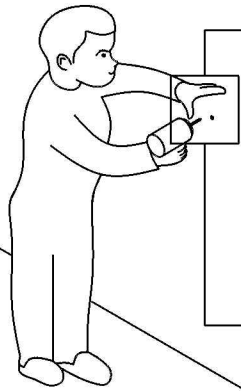
STEP 11



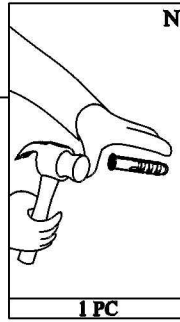
STEP 12



STEP 13



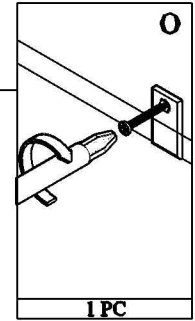
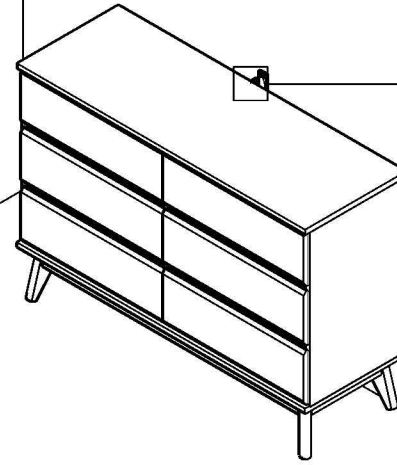
DRILLING



N

1 PC

STEP 14



O

1 PC

COMPLETED

