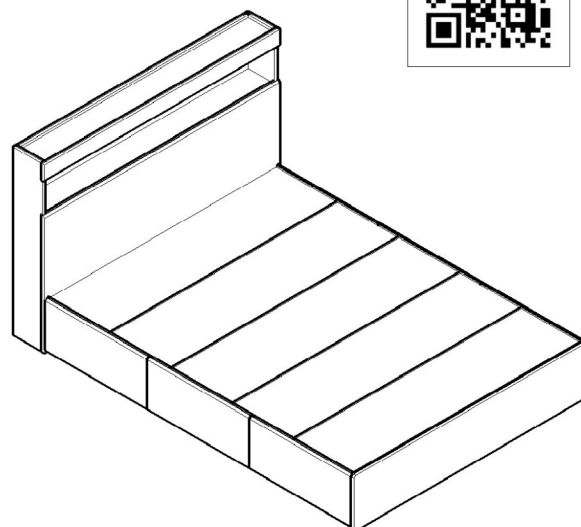


# ASSEMBLY INSTRUCTIONS

## SE BED 1302026WI



Thank you for your purchase.  
Before assembly, please read these instructions.  
Please read all warnings.  
Store this instruction manual for future reference.



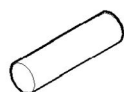
Product Size	Approximately <b>2308</b> Width x <b>1590</b> Length x <b>1100</b> Height (MM)		
Main Materials	MDF (Medium Density Fiberboard)		
Weight Capacity	Top insert: About <b>40KG</b> , Shelf insert: About <b>10KG</b> , ※ These are measured figures, not guaranteed figures.		
Time To Assembly	About <b>60</b> Minutes	Updated Date	4/1/2022

## Assembly Warning

- Assembling with 2 or more people is recommended.
- Please assemble at a spacious and flat place
- Please place blankets or cardboard so floor or walls will not be scratched
- Please ventilate the area if there is a strong glue odor after opening the product
- Please follow assembly instructions
- Please have the below tools ready before assembling
  - Screwdriver, Scissors or Blade Box cutter, Rubber hammer, Drill

## Hardware

Before assembly, inspect unit for missing parts. Be sure that children do not accidentally swallow these parts.  
※ Same sized parts are in a bag. Please check the size of the screws.



**A** Wood Dowel  
M8x30MM **48 Pcs**



**B** Wood Dowel  
M8x25MM **4 Pcs**



**C** Minifix  
M5x24MM **34 Pcs**



**D** Minifix  
Casing **34 Pcs**



**E** White Leg Pin **18 Pcs**



**F** Screw  
M4x28MM **8 Pcs**



**G** Screw  
M4x38MM **48 Pcs**



**H** Screw  
M6x50MM **16 Pcs**



**I** Caster TWR-25 **24 PCS**  
M3.5x16MM **48 Pcs**

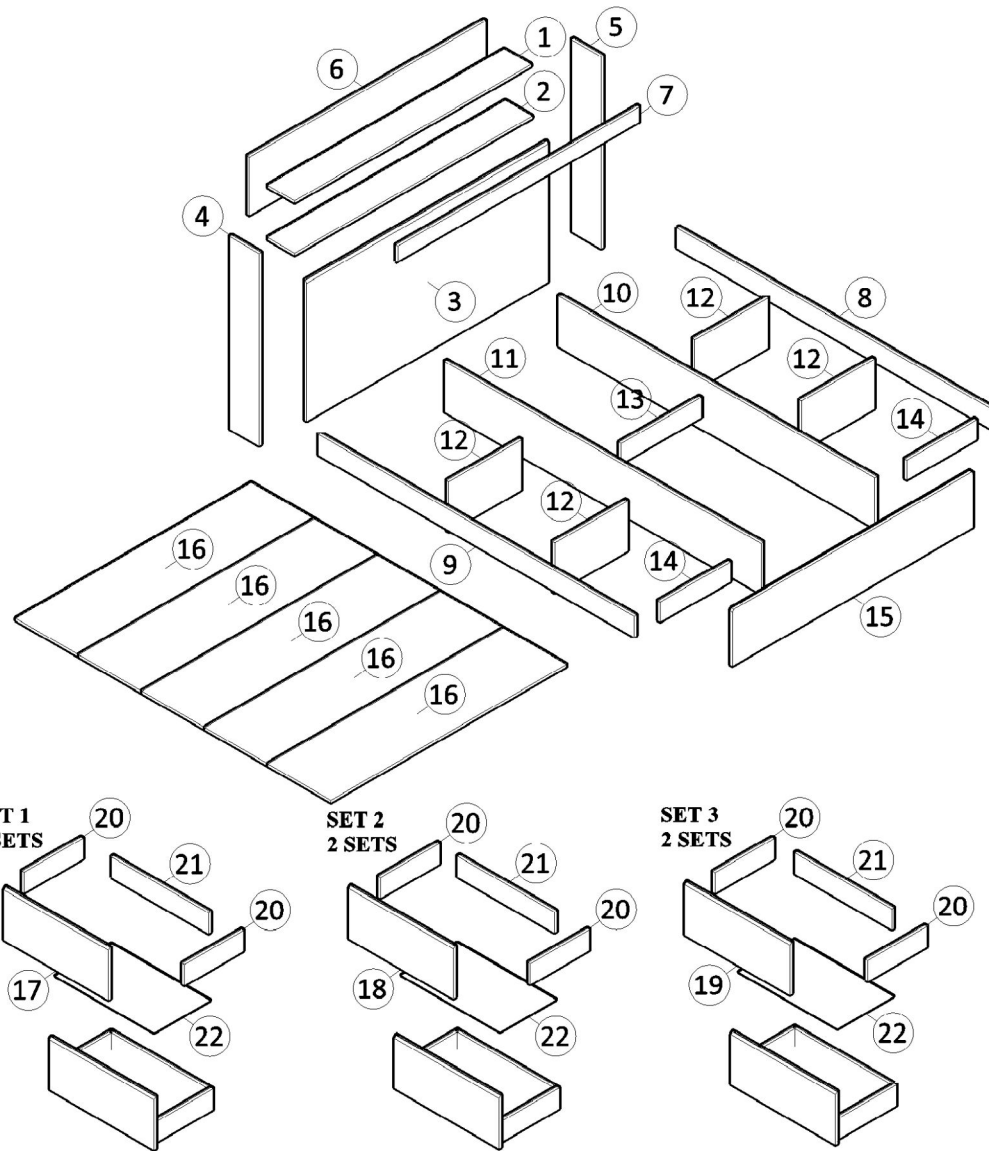


**J** Allen Key **1 Pc**

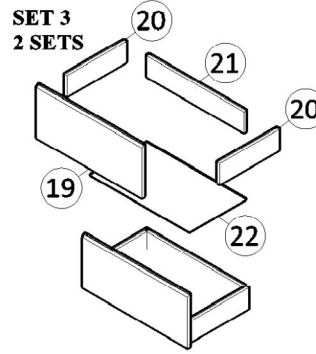
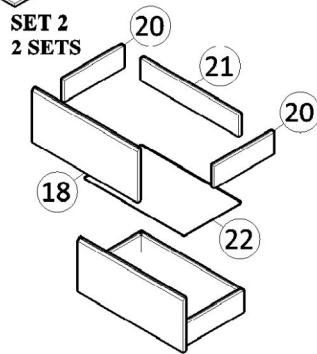
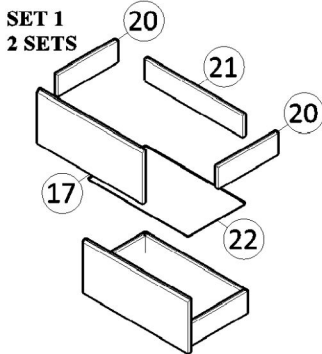


**K** Screw  
M4x32MM **20 Pcs**

# Parts

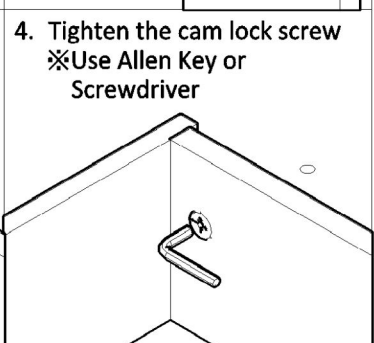
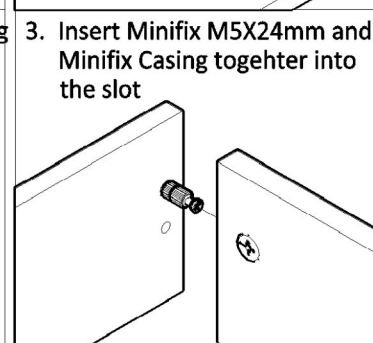
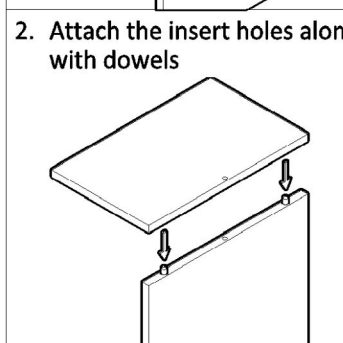
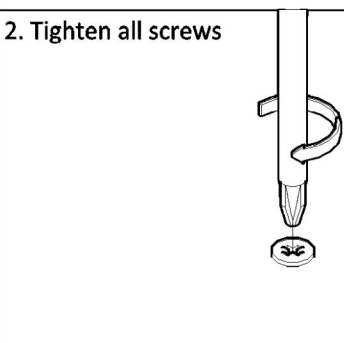
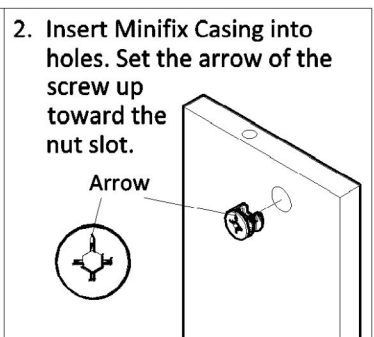
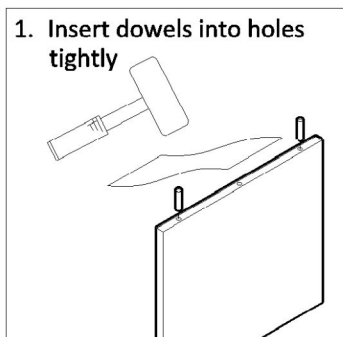
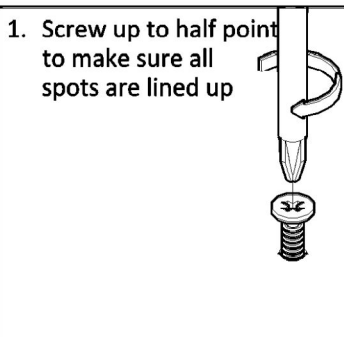


- ① 1st Fix Shelf Panel 1 Pc
- ② 2nd Fix Shelf Panel 1 Pc
- ③ Headboard Panel 1 Pc
- ④ Side Panel (L) 1 Pc
- ⑤ Side Panel (R) 1 Pc
- ⑥ Back Panel 1 Pc
- ⑦ Front Support Panel 1 Pc
- ⑧ Side Rail Panel (R) 1 Pc
- ⑨ Side Rail Panel (L) 1 Pc
- ⑩ Center Rail Panel (R) 1 Pc
- ⑪ Center Rail Panel (L) 1 Pc
- ⑫ Center Support Panel 4 Pcs
- ⑬ Center Internal Support Panel 1 Pc
- ⑭ Internal Support Panel 2 Pcs
- ⑮ Front Panel 1 Pc
- ⑯ Shelf Panel 5 Pcs
- ⑰ Drawer Face Panel (L) 2 Pcs
- ⑱ Drawer Face Panel (C) 2 Pcs
- ⑲ Drawer Face Panel (R) 2 Pcs
- ⑳ Drawer Side Panel 12 Pcs
- ㉑ Drawer Back Panel 6 Pcs
- ㉒ Drawer Mdf Board 6 Pcs



## Assembly Information

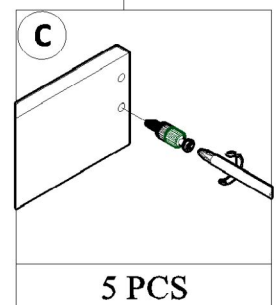
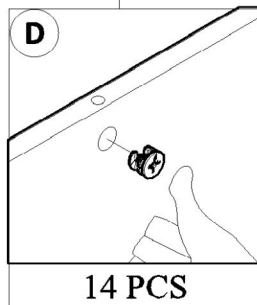
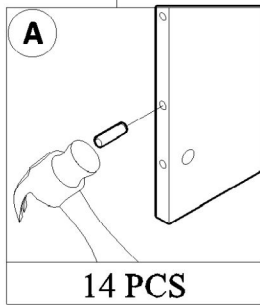
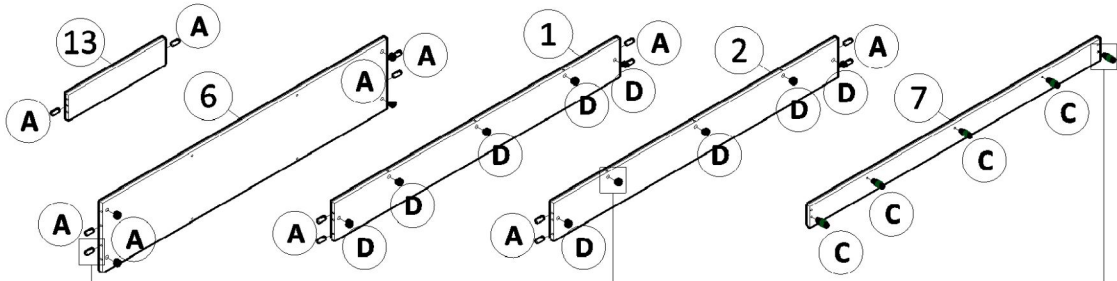
- Assemble screws
- Assemble Wood Dowels
- Assemble Minifix



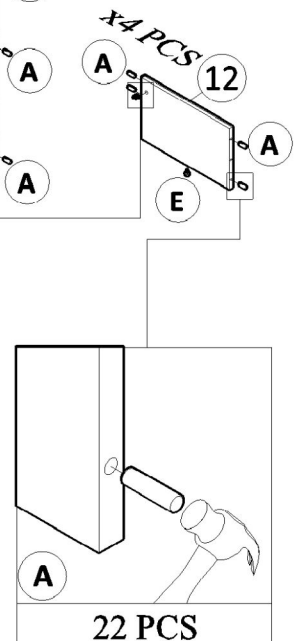
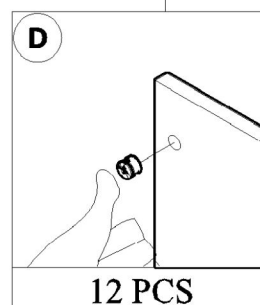
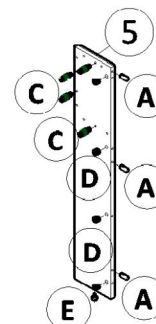
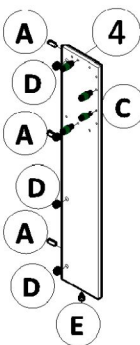
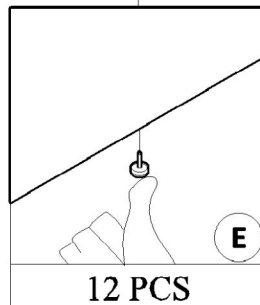
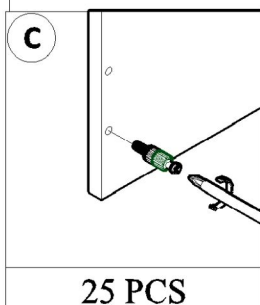
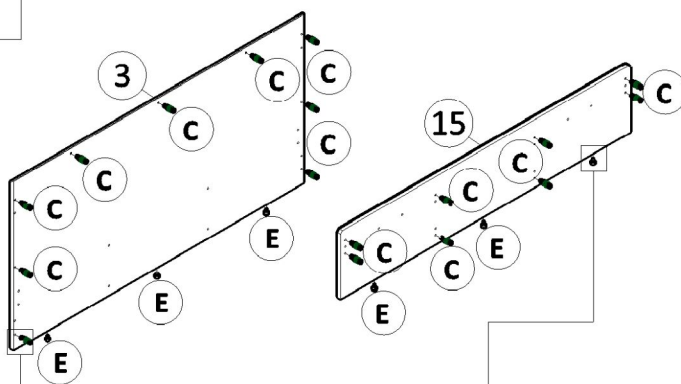
# Assembly Step

Failure to follow these directions could cause poor strength or stability.  
Insert screws loose to line up with slots then tighten up each screw.

1

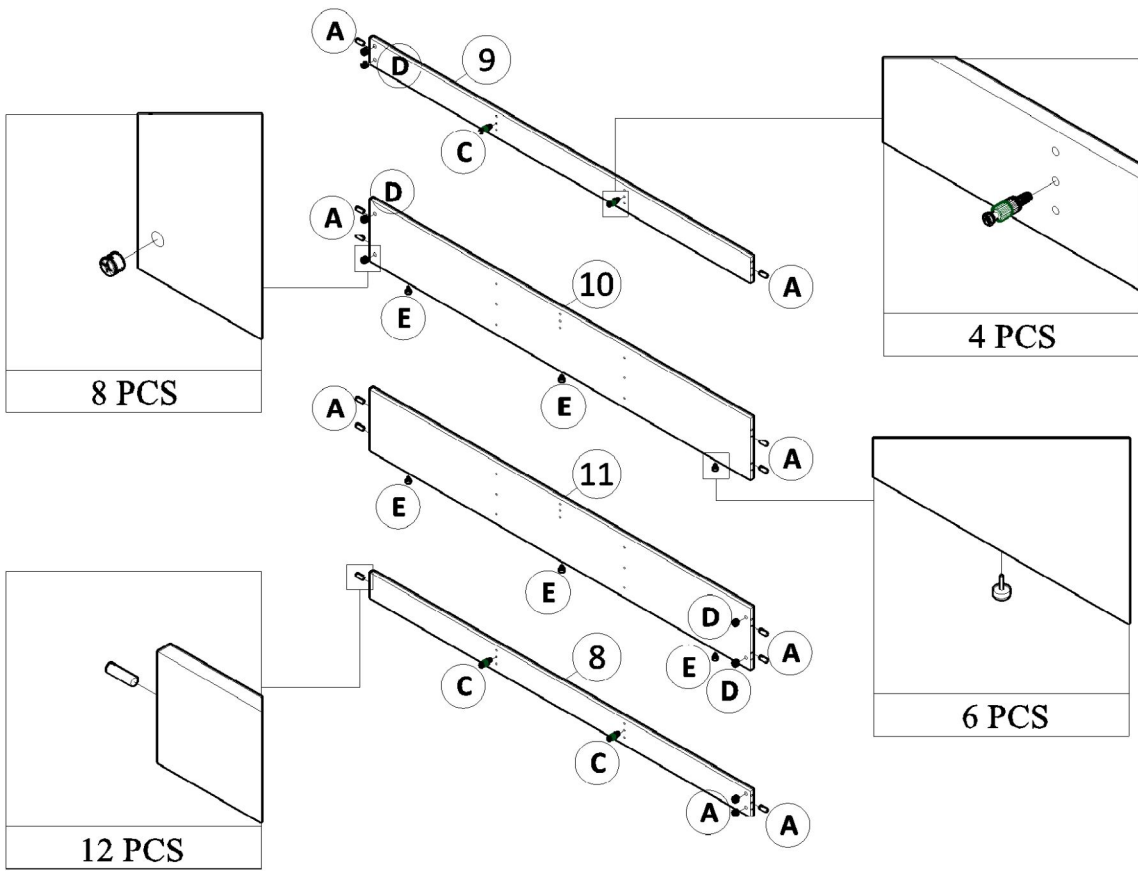


2

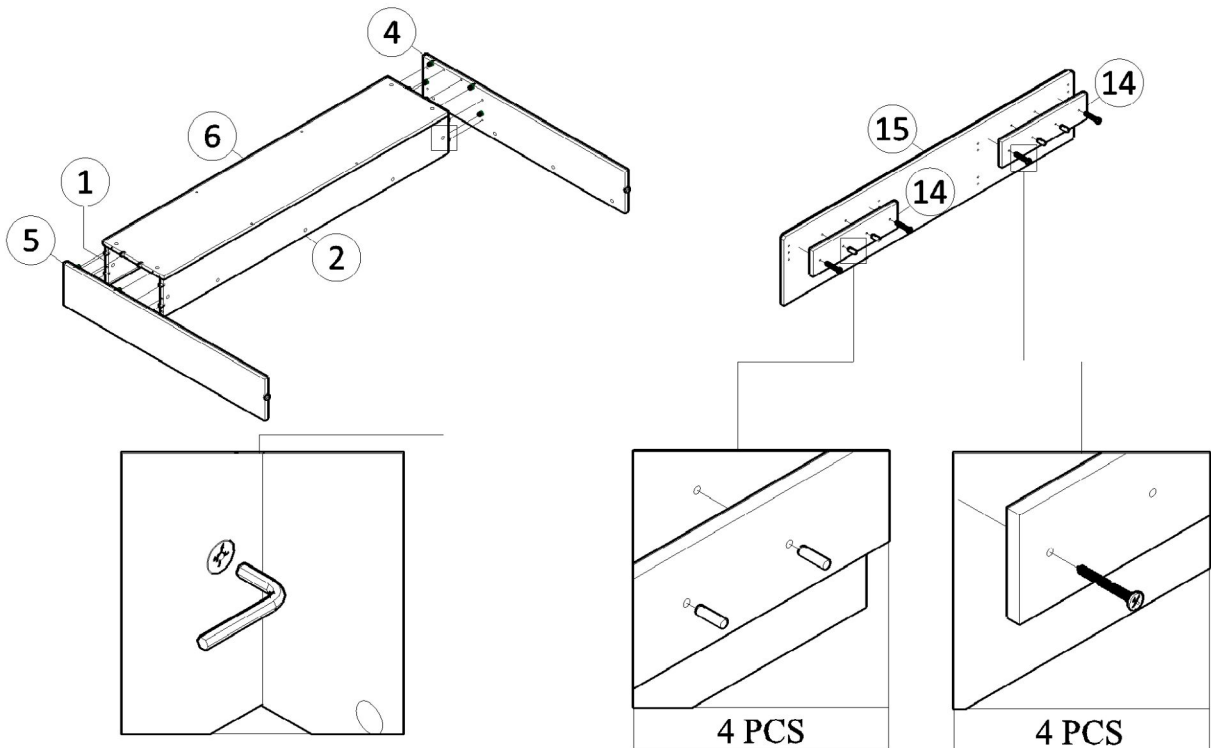


# Assembly Step (Continue)

3

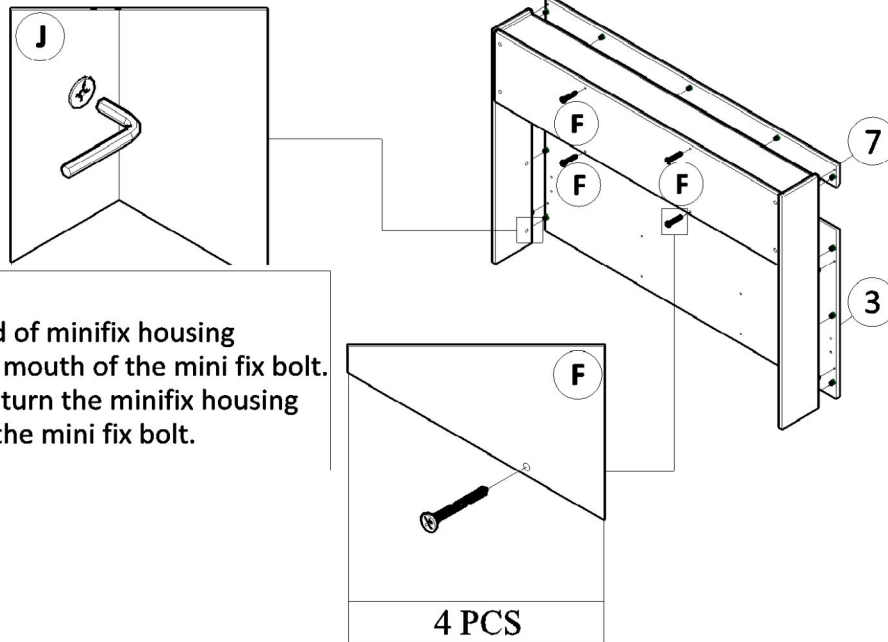


4



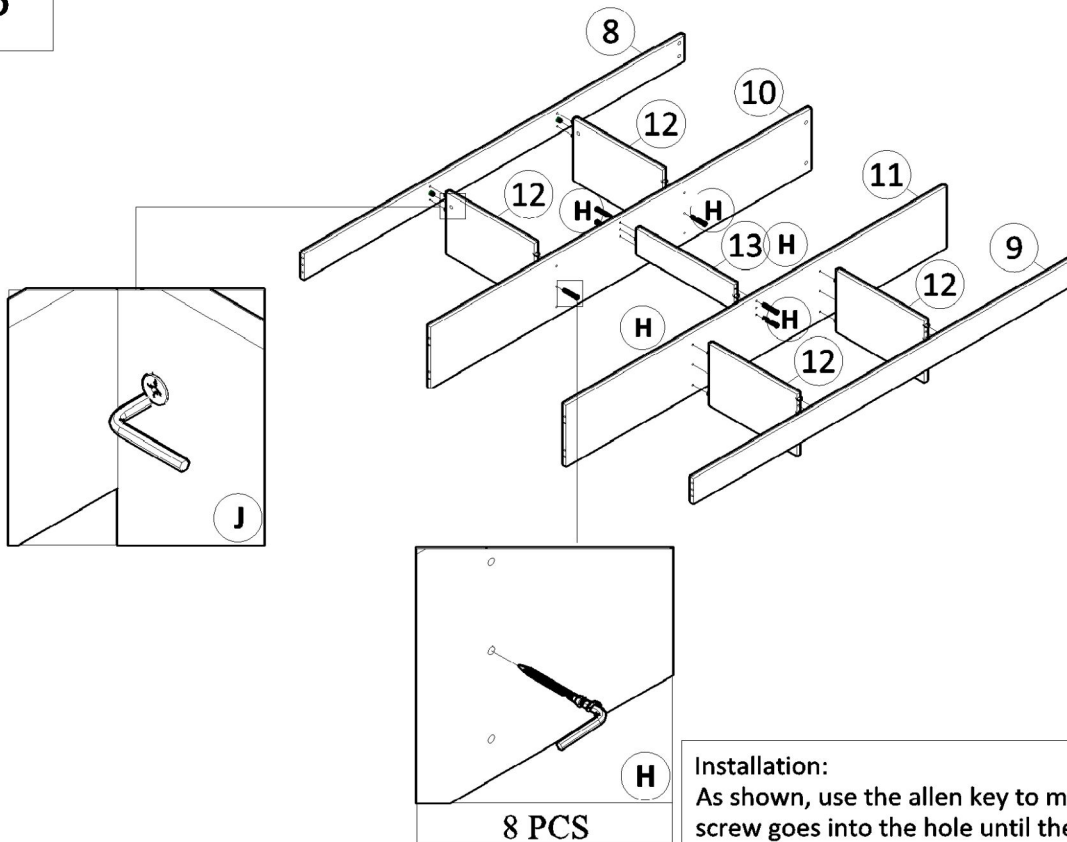
# Assembly Step (Continue)

5



**Installation:**  
As shown, the head of minifix housing goes into the open mouth of the mini fix bolt. Use Allen Key then turn the minifix housing so it tightens over the mini fix bolt.

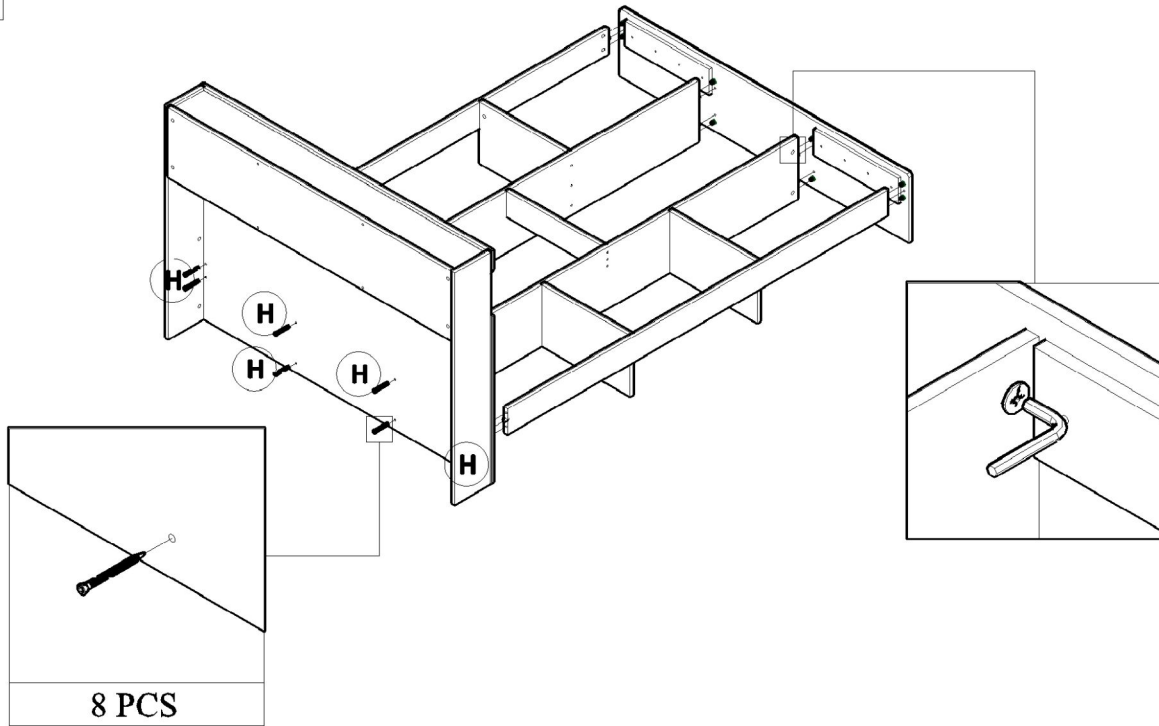
6



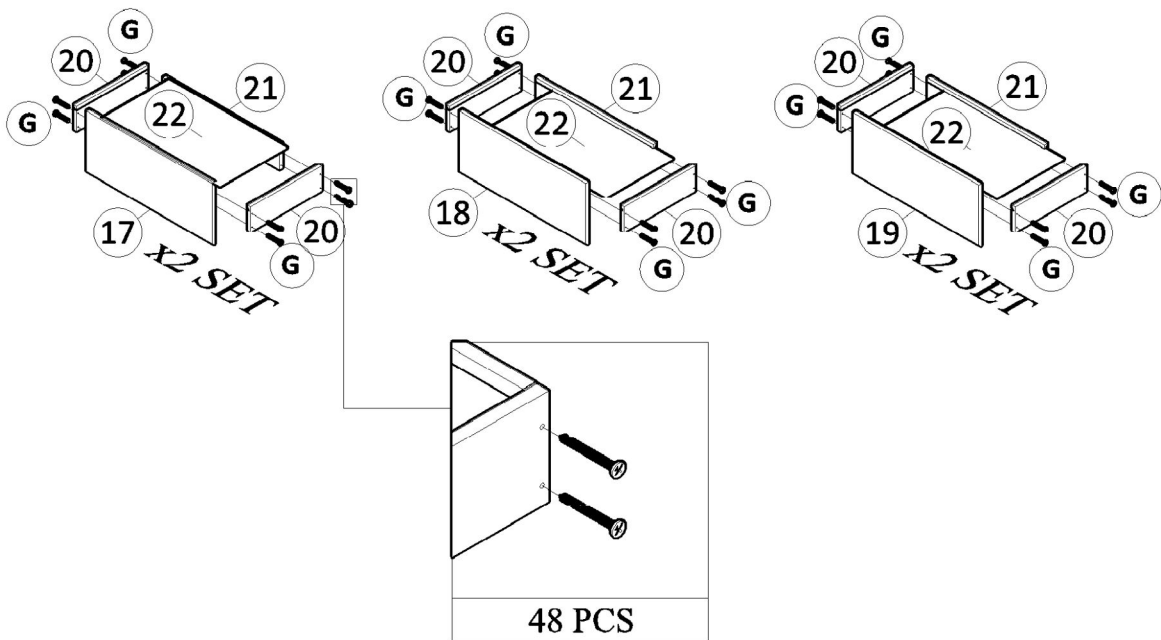
**Installation:**  
As shown, use the allen key to make the screw goes into the hole until the screw is tight.

# Assembly Step (Continue)

7

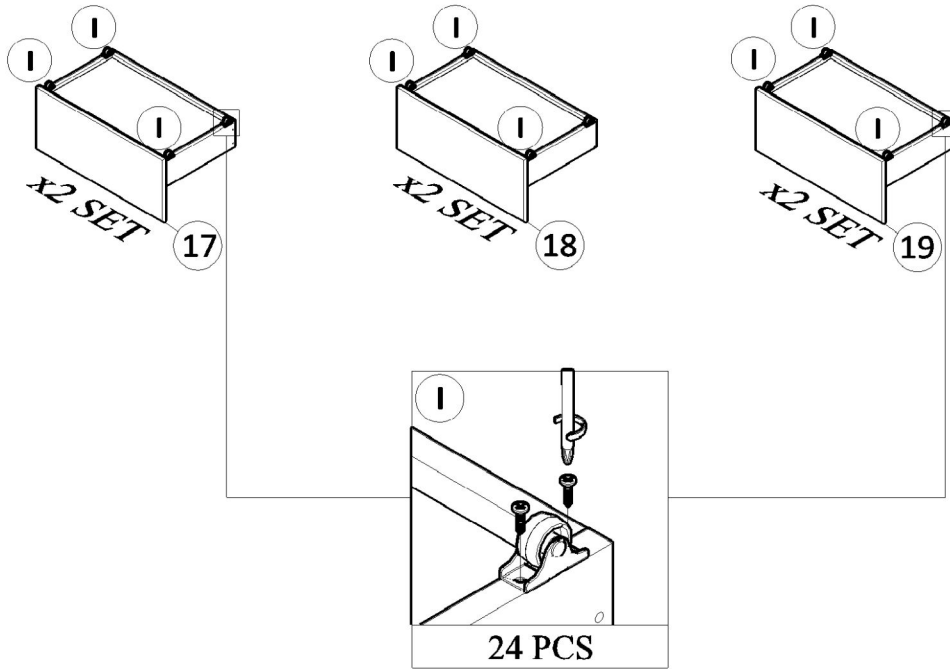


8



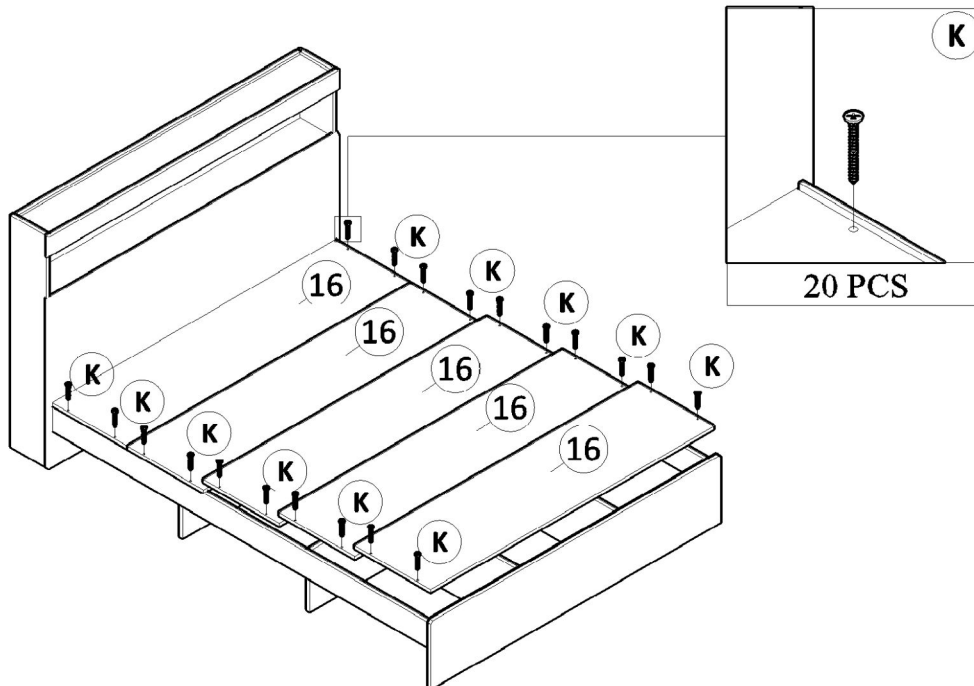
# Assembly Step (Continue)

9



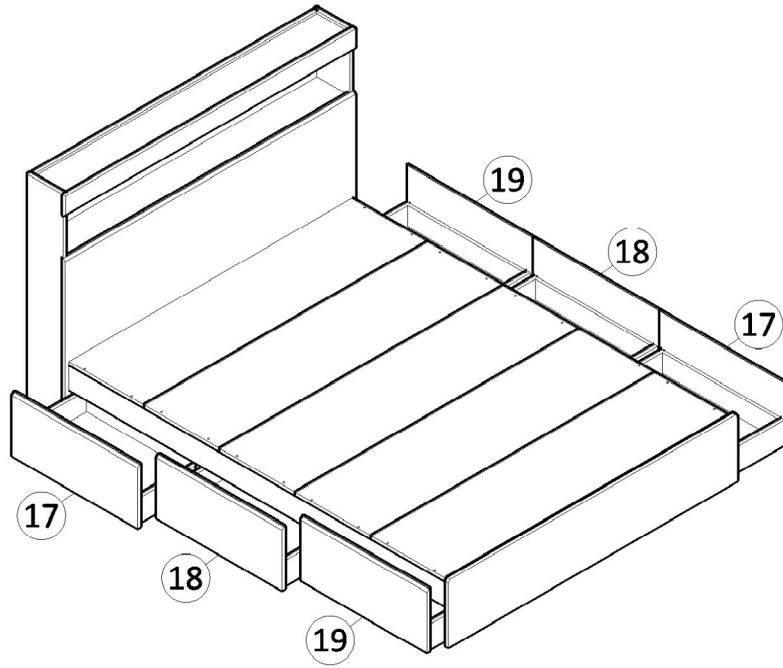
Installation:  
As shown, use the screwdriver to make the screw goes into the hole until the screw is tight.

10

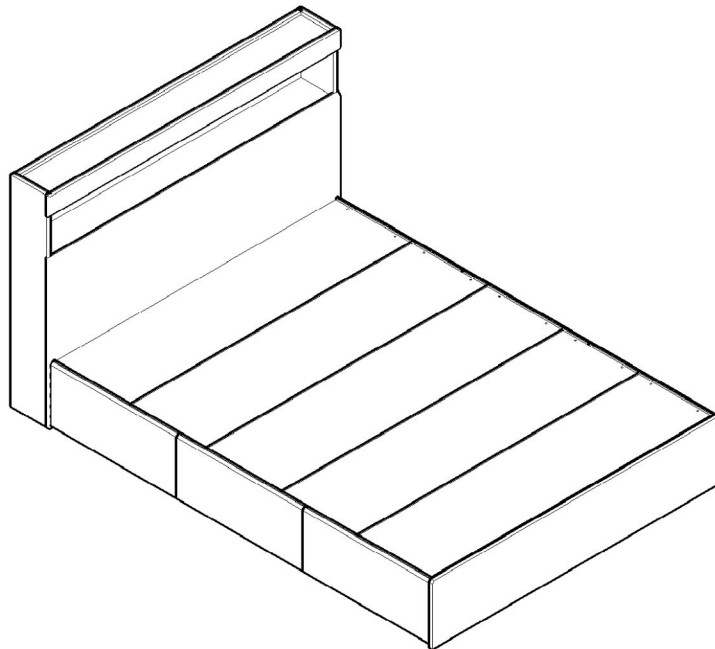


# Assembly Step (Continue)

11



12 COMPLETED





# Safety

Please read the below warnings before use.

Failure to follow these warnings could result in serious injury.



## CAUTION !!!

### Purpose

- Do not use this unit except for original application
- This unit is for household use. Do not use it for wholesale.
- This unit is for indoor use. Do not use it outside.

### Assembly

- Assembling with 2 or more people is recommended
- Please assemble at a spacious and flat place
- Please place blankets or cardboard so floor or walls will not be scratched
- Please ventilate the area if there is strong glue odor after opening the product
- Please follow assembly instructions

### Placing The Unit

- Store the unit on a flat surface.
- Place a mat under the unit if you place it on wood floors for floor protection
- Do not place the unit in areas where conditions are extreme, such as direct sun or a humid place
- Do not place the unit in a hot or humid area, such as near the heater or fireplace

### Usage

- Please check your surroundings when you use this unit
- Do not place any hot or wet objects on the unit
- Remove all objects on the unit when you move it
- Do not leave water or wet objects on the surface.
- Do not use it for toys
- Do not stand on it or use it for a step stool.
- Do not overload only the top drawers. Load the same amount to help prevent tipping of the unit.
- Do not leave drawers open or put pressure on opened drawers to help prevent falling or wrecking.
- Do not stand or put pressure on opened drawers.
- Colors could fade
- Please open drawers slowly
- Make sure you do not catch your finger when you use the drawer.
- Weight Capacity Top insert: About **40KG** , Shelf insert: About **10KG**,  
※ These are measured figures, not guaranteed figures

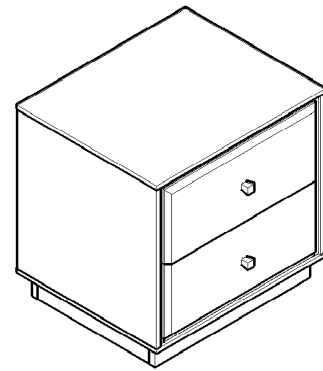
# Cleaning

- Please check all assembled parts are tight regularly. (About once a month)
- Use dry soft cloths for dust and spots
- For heavy spots, use clothes with neutral detergent then dry in a well ventilated area.
- Do not use if any parts are broken.
- Please recycle the unit or its package depending on your city rules.

# ASSEMBLY INSTRUCTIONS

## LV28 ST 28240WI-CLB/GD

Thank you for your purchase.  
Before assembly, please read these instructions.  
Please read all warnings.  
Store this instruction manual for future reference.



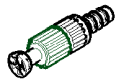
Product Size	Approximately 406 Width x 480 Length x 469 Height (MM)		
Main Materials	MDF (Medium Density Fiberboard)		
Weight Capacity	Top insert: About 30KG, Shelf insert: About 10KG, ※ These are measured figures, not guaranteed figures.		
Time To Assembly	About 30 Minutes	Updated Date	28/10/2021

### Assembly Warning

- Assembling with 2 or more people is recommended.
- Please assemble at a spacious and flat place
- Please place blankets or cardboard so floor or walls will not be scratched
- Please ventilate the area if there is a strong glue odor after opening the product
- Please follow assembly instructions
- Please have the below tools ready before assembling
  - Screwdriver, Scissors or Blade Box cutter, Rubber hammer, Drill

### Hardware

Before assembly, inspect unit for missing parts. Be sure that children do not accidentally swallow these parts.  
※ Same sized parts are in a bag. Please check the size of the screws.



**A** Minifix  
M5x24MM 12 Pcs



**B** Minifix  
Casing 12 Pcs



**C** Wood Dowel  
M8x30MM 36 Pcs



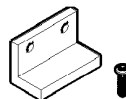
**D** Drawer Slide 14" 2 Sets  
M3.5x12MM 24 Pcs



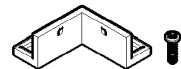
**E** Screw  
M4x38MM 8 Pcs



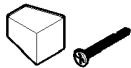
**F** Screw  
M4x65MM 4 Pcs



**G** Rectangle Pvc Leg 2 Pcs  
M3.5x16MM 4 Pcs



**H** L-Shape PVC Leg 4 Pcs  
M3.5x16MM 8 Pcs



**I** Square Handle 2 Pcs  
M4x25MM 2 Pcs



**J** Power Pin 10 Pcs

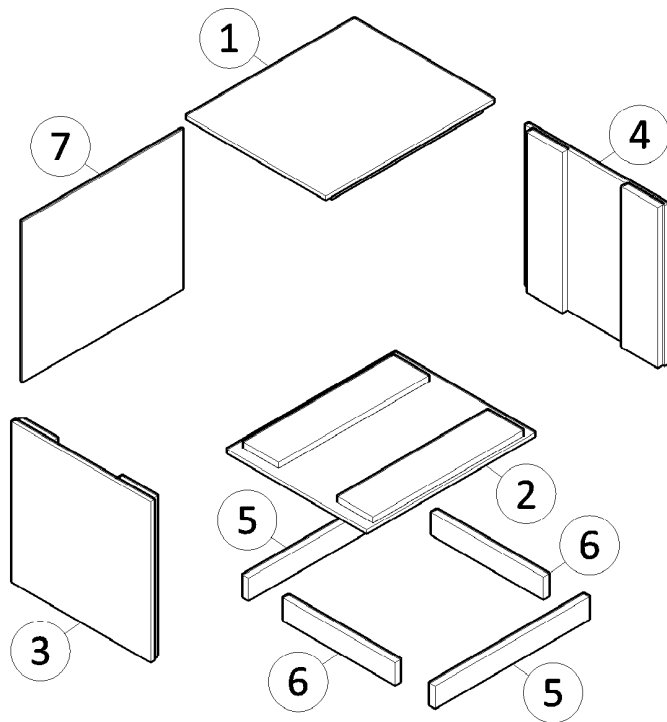


**K** Screw  
M3.5x16MM 8 Pcs

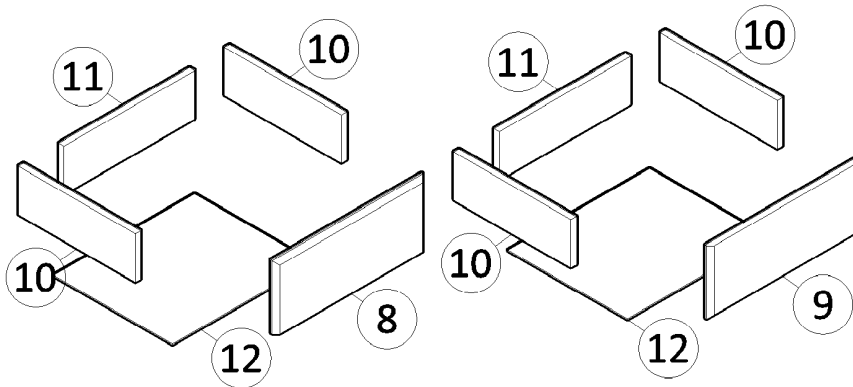


**L** Allen Key 1 Pc

# Parts

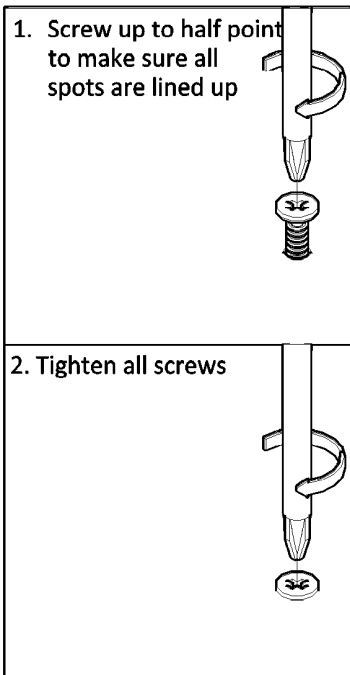


- ① Top Panel 1 Pc
- ② Bottom Panel 1 Pc
- ③ Side Panel (L) 1 Pc
- ④ Side Panel (R) 1 Pc
- ⑤ Long Leg Frame 2 Pcs
- ⑥ Short Leg Frame 2 Pcs
- ⑦ Back Mdf Board 1 Pc

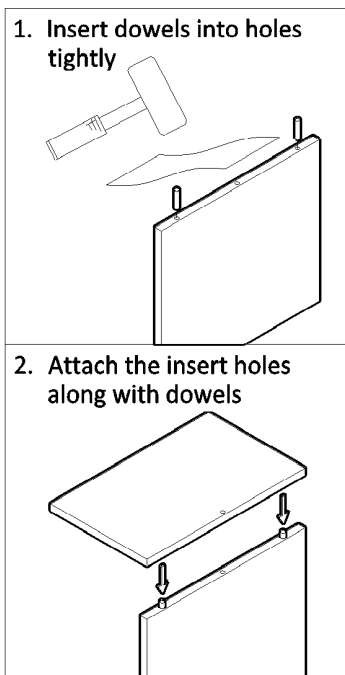


# Assembly Information

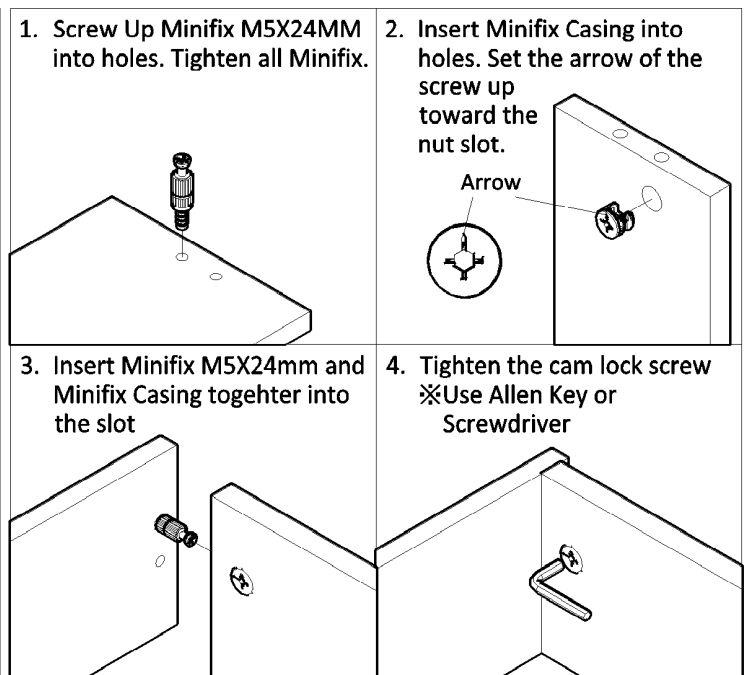
## Assemble screws



## Assemble Wood Dowels



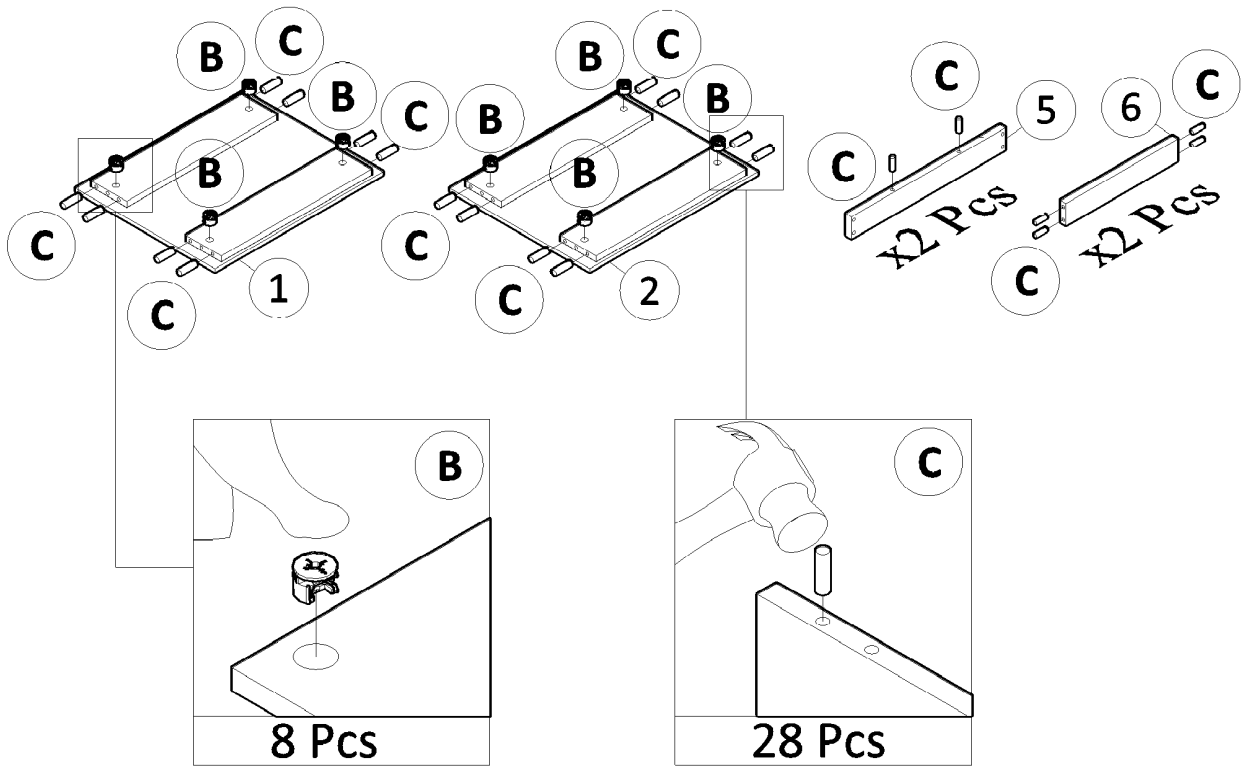
## Assemble Minifix



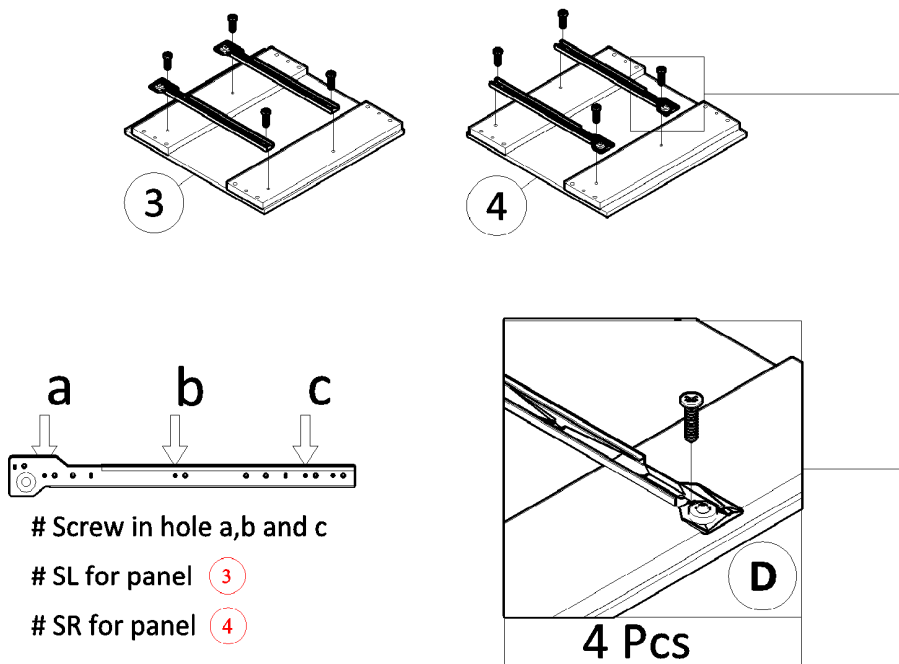
# Assembly Step

Failure to follow these directions could cause poor strength or stability.  
 Insert screws loose to line up with slots then tighten up each screw.

1



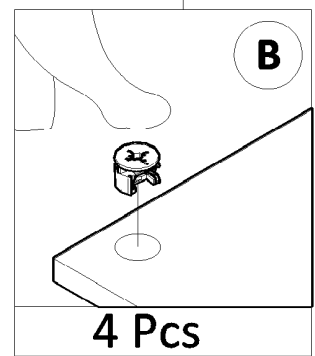
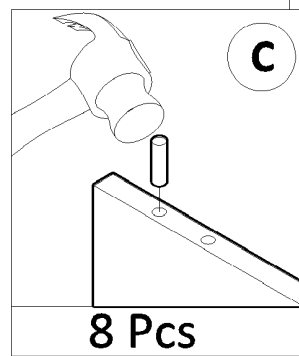
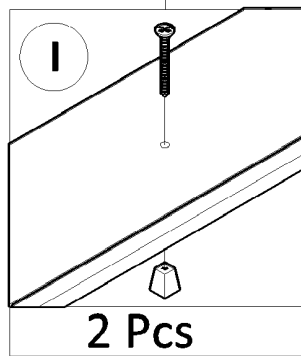
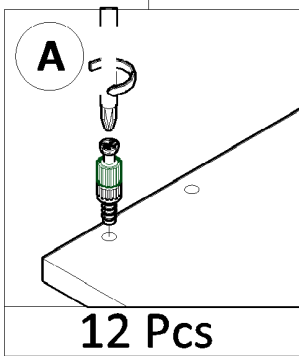
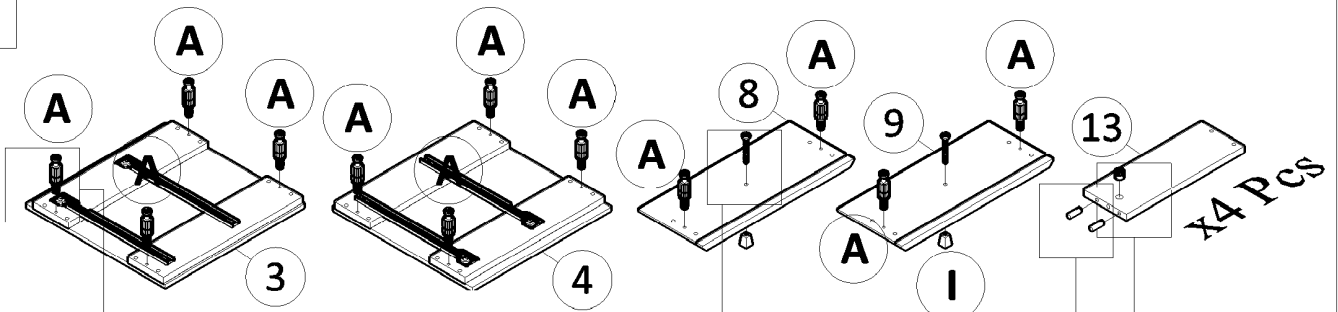
2



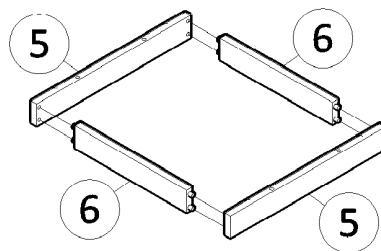
# Assembly Step

Failure to follow these directions could cause poor strength or stability.  
Insert screws loose to line up with slots then tighten up each screw.

3



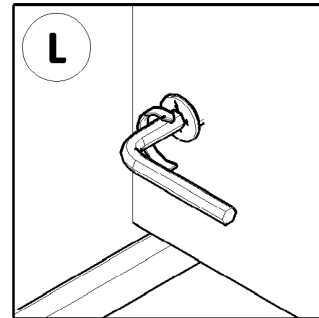
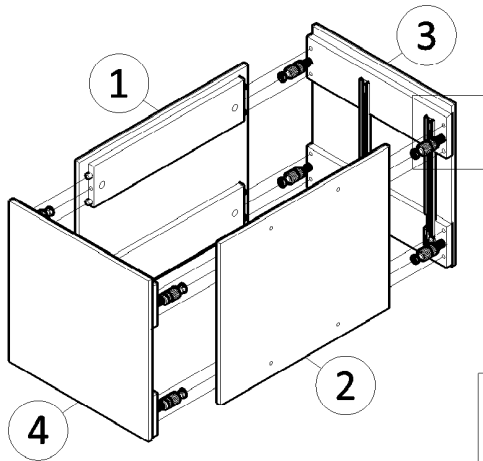
4



# Assembly Step

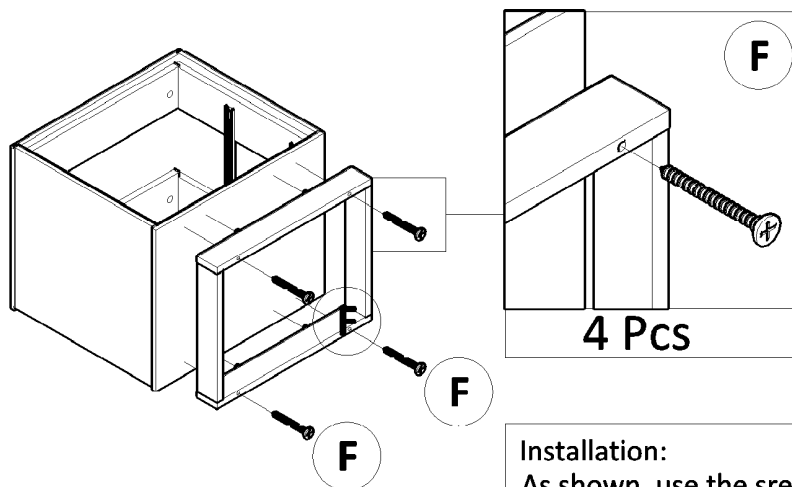
Failure to follow these directions could cause poor strength or stability.  
Insert screws loose to line up with slots then tighten up each screw.

5



**Installation:**  
As shown, the head of minifix housing goes into the open mouth of the mini fix bolt. Use Allen Key then turn the minifix housing so it tightens over the mini fix bolt.

6

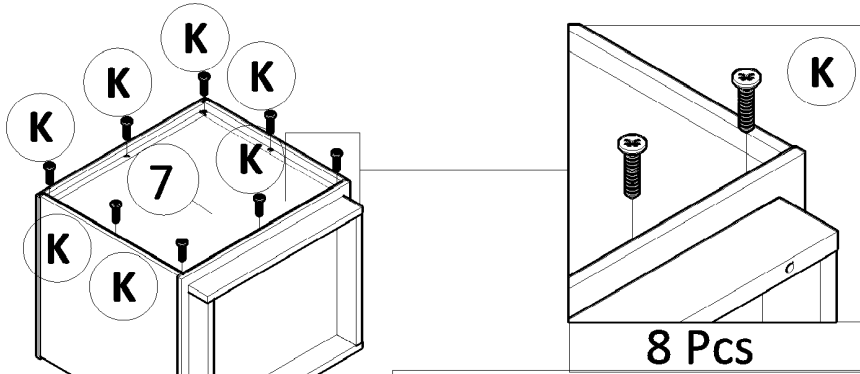


**Installation:**  
As shown, use the screwdriver to make the screw goes into the hole until the screw is tight.

# Assembly Step

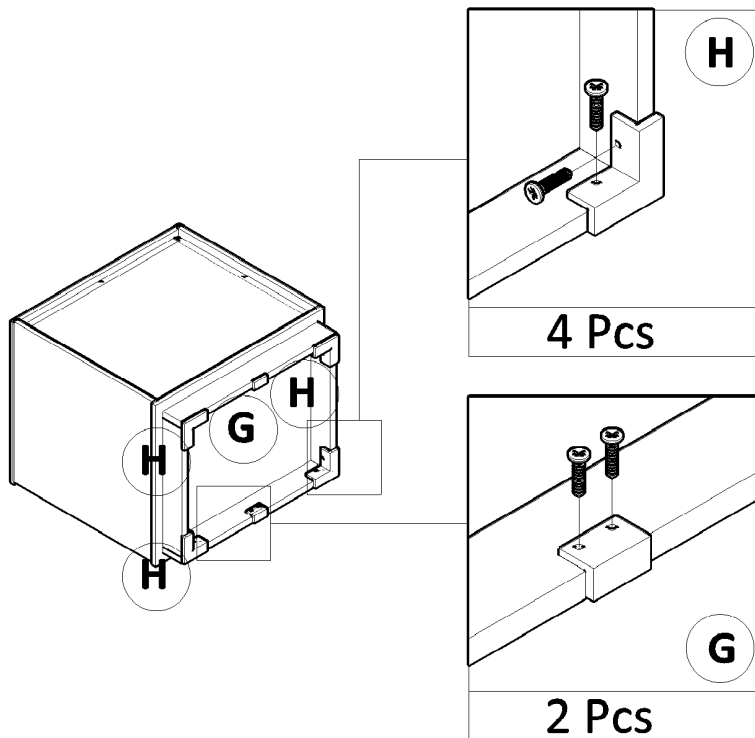
Failure to follow these directions could cause poor strength or stability.  
Insert screws loose to line up with slots then tighten up each screw.

7



Installation:  
As shown, use the screwdriver to make the screw goes into the hole until the screw is tight.

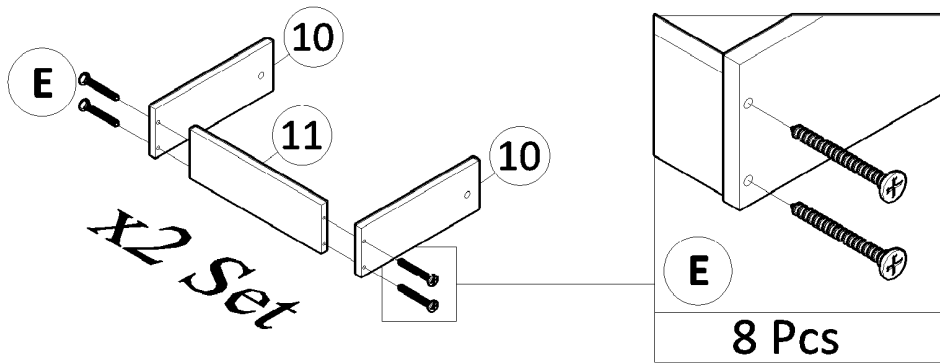
8



## Assembly Step

Failure to follow these directions could cause poor strength or stability.  
Insert screws loose to line up with slots then tighten up each screw.

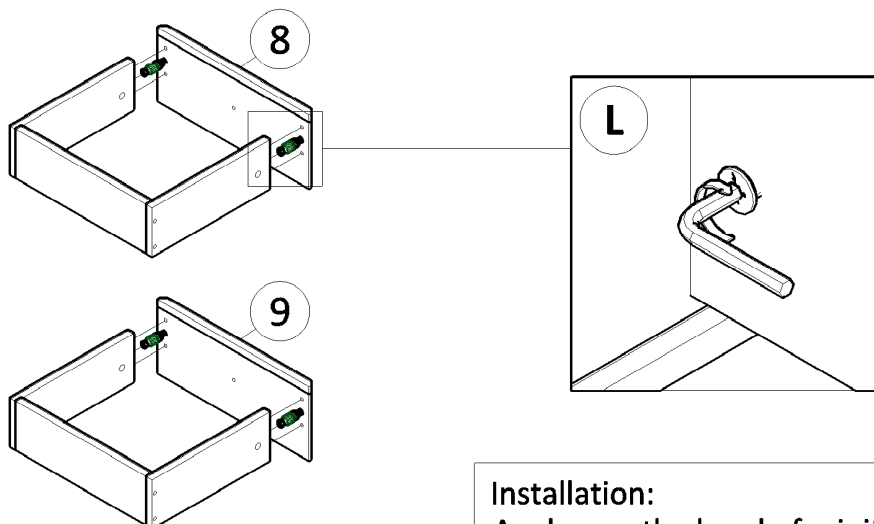
9



### Installation:

As shown, use the screwdriver to make the screw goes into the hole until the screw is tight.

10



### Installation:

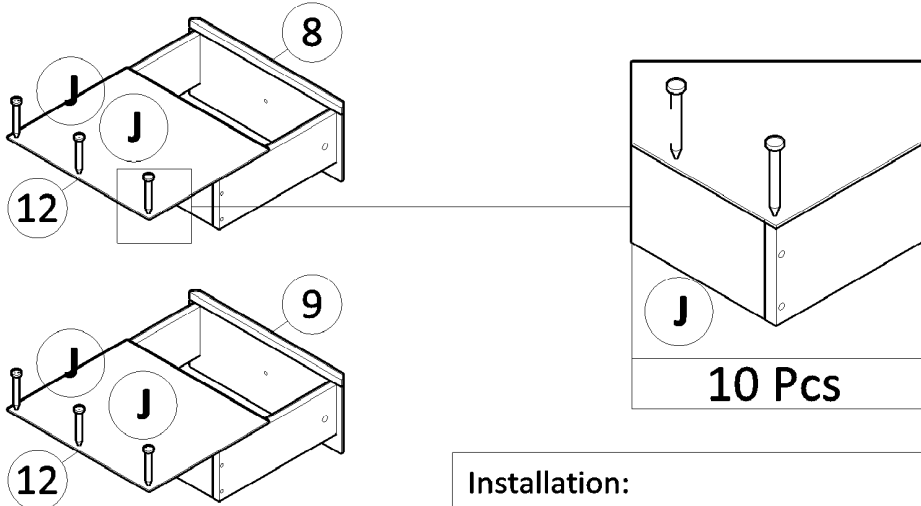
As shown, the head of minifix housing goes into the open mouth of the mini fix bolt. Use Allen Key then turn the minifix housing so it tightens over the mini fix bolt.



# Assembly Step

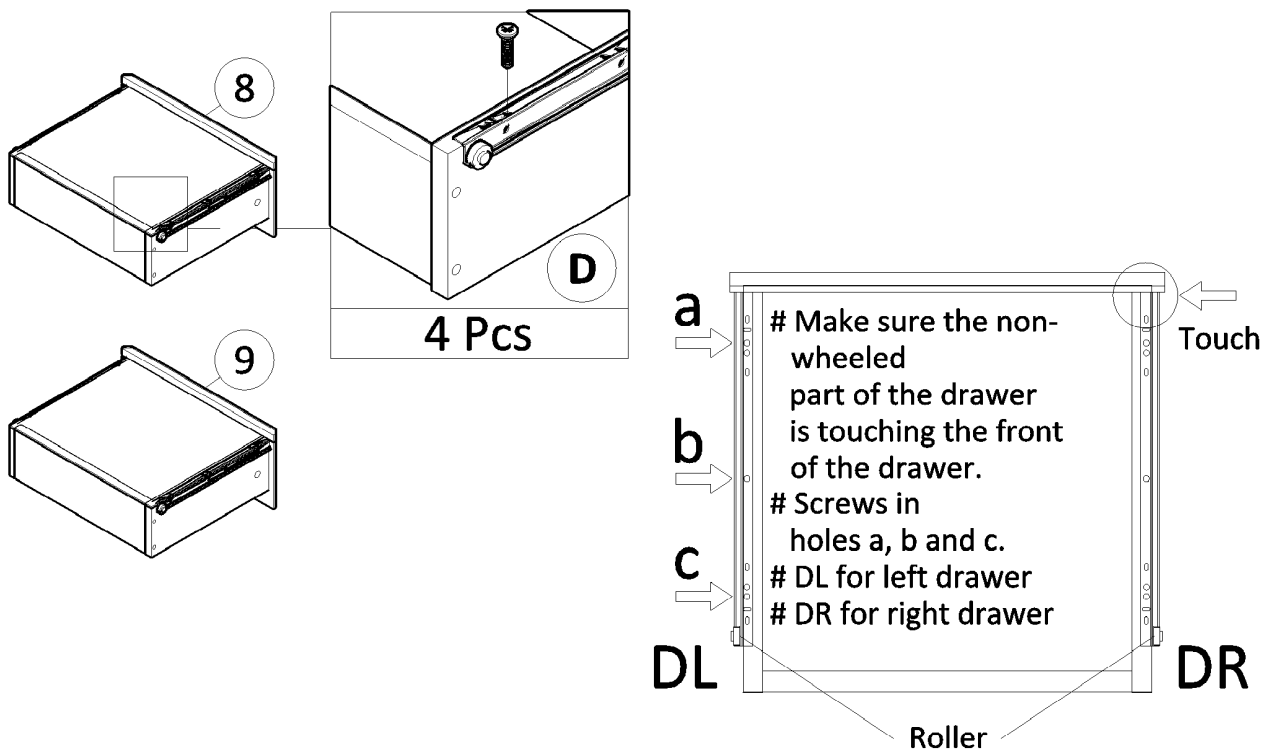
Failure to follow these directions could cause poor strength or stability.  
Insert screws loose to line up with slots then tighten up each screw.

11



**Installation:**  
As shown, use the hammer to make the power pin goes into the hole until the power pin is tight.

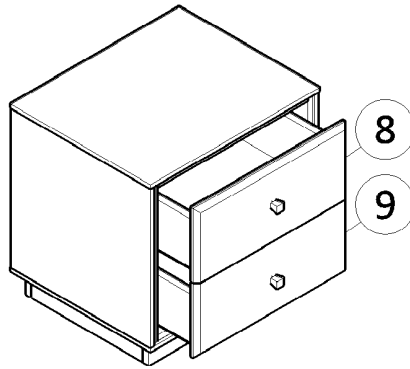
12



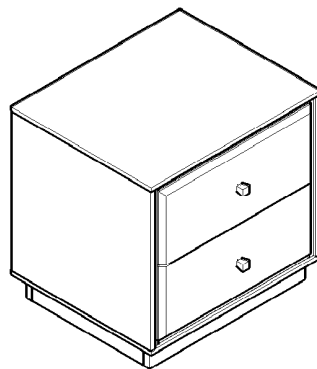
## Assembly Step

Failure to follow these directions could cause poor strength or stability.  
Insert screws loose to line up with slots then tighten up each screw.

13



14 COMPLETED



# Safety

Please read the below warnings before use.

Failure to follow these warnings could result in serious injury.



## CAUTION !!!

### Purpose

- Do not use this unit except for original application
- This unit is for household use. Do not use it for wholesale.
- This unit is for indoor use. Do not use it outside.

### Assembly

- Assembling with 2 or more people is recommended
- Please assemble at a spacious and flat place
- Please place blankets or cardboard so floor or walls will not be scratched
- Please ventilate the area if there is strong glue odor after opening the product
- Please follow assembly instructions

### Placing The Unit

- Store the unit on a flat surface.
- Place a mat under the unit if you place it on wood floors for floor protection
- Do not place the unit in areas where conditions are extreme, such as direct sun or a humid place
- Do not place the unit in a hot or humid area, such as near the heater or fireplace

### Usage

- Please check your surroundings when you use this unit
- Do not place any hot or wet objects on the unit
- Remove all objects on the unit when you move it
- Do not leave water or wet objects on the surface.
- Do not use it for toys
- Do not stand on it or use it for a step stool.
- Do not overload only the top drawers. Load the same amount to help prevent tipping of the unit.
- Do not leave drawers open or put pressure on opened drawers to help prevent falling or wrecking.
- Do not stand or put pressure on opened drawers.
- Colors could fade
- Please open drawers slowly
- Make sure you do not catch your finger when you use the drawer.
- Weight Capacity Top insert: About **30KG** , Shelf insert: About **10KG**,  
※ These are measured figures, not guaranteed figures

# Cleaning

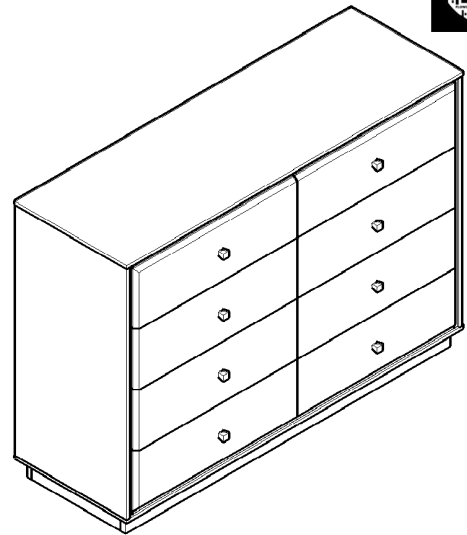
- Please check all assembled parts are tight regularly. (About once a month)
- Use dry soft cloths for dust and spots
- For heavy spots, use clothes with neutral detergent then dry in a well ventilated area.
- Do not use if any parts are broken.
- Please recycle the unit or its package depending on your city rules.

# ASSEMBLY INSTRUCTIONS

LV28 COD 28232WI-CLB/GD



Thank you for your purchase.  
 Before assembly, please read these instructions.  
 Please read all warnings.  
 Store this instruction manual for future reference.



Product Size	Approximately 398 Width x 1200 Length x 850 Height (MM)		
Main Materials	MDF (Medium Density Fiberboard)		
Weight Capacity	Top insert: About 30KG, Shelf insert: About 10KG, ※ These are measured figures, not guaranteed figures.		
Time To Assembly	About 30 Minutes	Updated Date	17/9/2021

## Assembly Warning

- Assembling with 2 or more people is recommended.
- Please assemble at a spacious and flat place
- Please place blankets or cardboard so floor or walls will not be scratched
- Please ventilate the area if there is a strong glue odor after opening the product
- Please follow assembly instructions
- Please have the below tools ready before assembling
  - Screwdriver, Scissors or Blade Box cutter, Rubber hammer, Drill

## Hardware

Before assembly, inspect unit for missing parts. Be sure that children do not accidentally swallow these parts.  
 ※ Same sized parts are in a bag. Please check the size of the screws.



**A** Minifix M5x24MM 28 Pcs



**B** Minifix Casing 28 Pcs



**C** Wood Dowel M8x30MM 64 Pcs



**D** Screw M3.5x16MM 22 Pcs



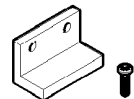
**E** Screw M4x38MM 32 Pcs



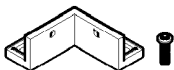
**F** Screw M4x65MM 8 Pcs



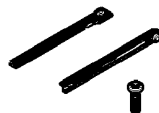
**G** Power Pin 40 Pcs



**H** Rectangle Pvc Leg 2 Pcs M3.5x16MM 4 Pcs



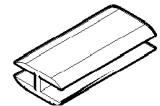
**I** L-Shape PVC Leg 4 Pcs M3.5x16MM 8 Pcs



**J** Drawer Slide 14" 8 Set M3.5x12MM 96 Pcs



**K** Square Handle 8 Pcs M4x25MM 8 Pcs

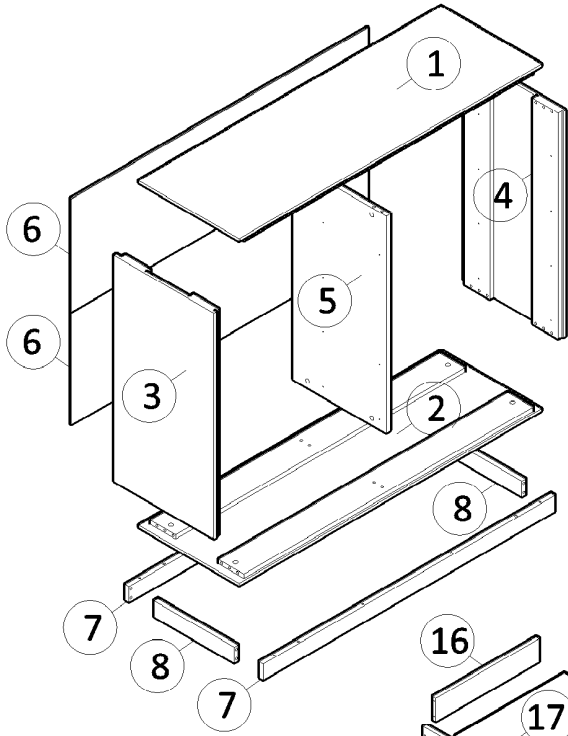


**L** PVC H Rail 1 Pc

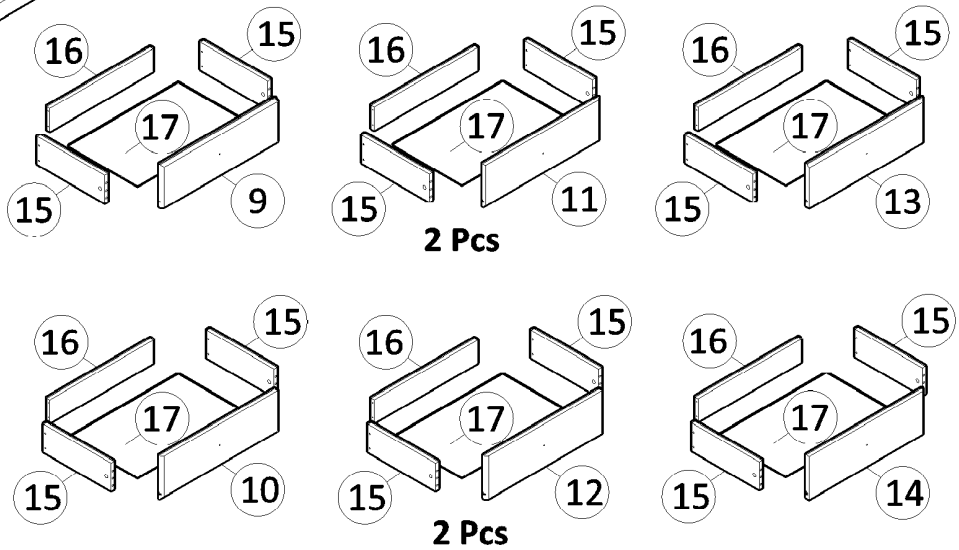


**M** Allen Key 1 Pc

# Parts



- |                                   |       |                                    |        |
|-----------------------------------|-------|------------------------------------|--------|
| ① Top Panel                       | 1 Pc  | ⑪ Middle Drawer Face Panel (Left)  | 2 Pcs  |
| ② Bottom Panel                    | 1 Pc  | ⑫ Middle Drawer Face Panel (Right) | 2 Pcs  |
| ③ Side Panel (L)                  | 1 Pc  | ⑬ Left Drawer Face Panel (Below)   | 1 Pc   |
| ④ Side Panel (R)                  | 1 Pc  | ⑭ Right Drawer Face Panel (Below)  | 1 Pc   |
| ⑤ Center Panel                    | 1 Pc  | ⑮ Drawer Side Panel                | 16 Pcs |
| ⑥ Back Mdf Board                  | 2 Pcs | ⑯ Drawer Back Panel                | 8 Pcs  |
| ⑦ Long Leg Frame                  | 2 Pcs | ⑰ Drawer Mdf Board                 | 8 Pcs  |
| ⑧ Short Leg Frame                 | 2 Pcs |                                    |        |
| ⑨ Left Drawer Face Panel (Above)  | 1 Pc  |                                    |        |
| ⑩ Right Drawer Face Panel (Above) | 1 Pc  |                                    |        |



## Assembly Information

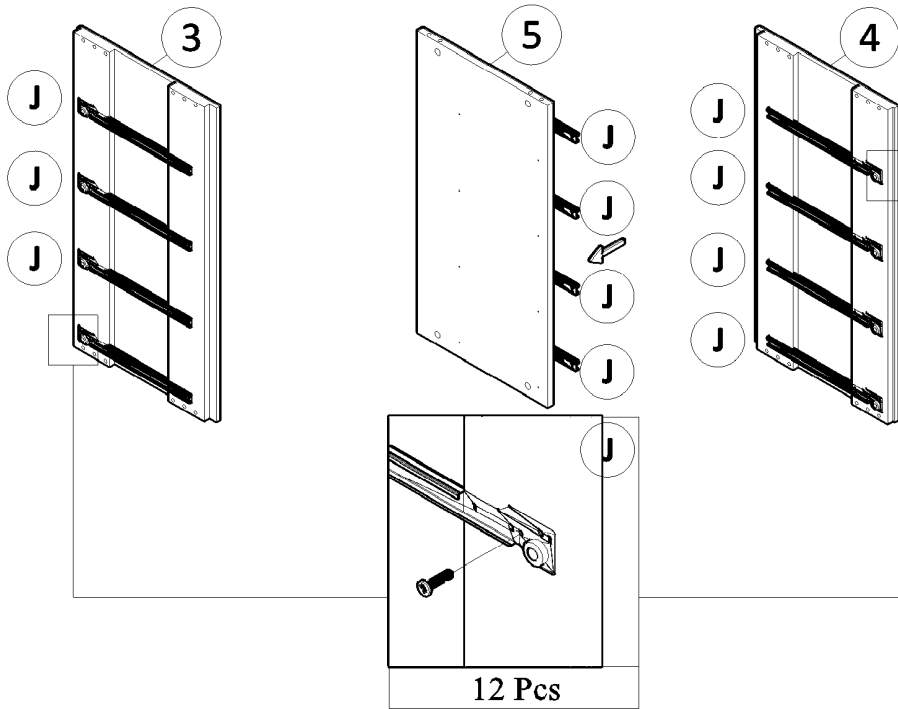
- Assemble screws
- Assemble Wood Dowels
- Assemble Minifix

<p>1. Screw up to half point to make sure all spots are lined up</p>	<p>1. Insert dowels into holes tightly</p>	<p>1. Screw Up Minifix M5X24MM into holes. Tighten all Minifix.</p>	<p>2. Insert Minifix Casing into holes. Set the arrow of the screw up toward the nut slot.</p>
<p>2. Tighten all screws</p>	<p>2. Attach the insert holes along with dowels</p>	<p>3. Insert Minifix M5X24mm and Minifix Casing together into the slot</p>	<p>4. Tighten the cam lock screw *Use Allen Key or Screwdriver</p>

# Assembly Step

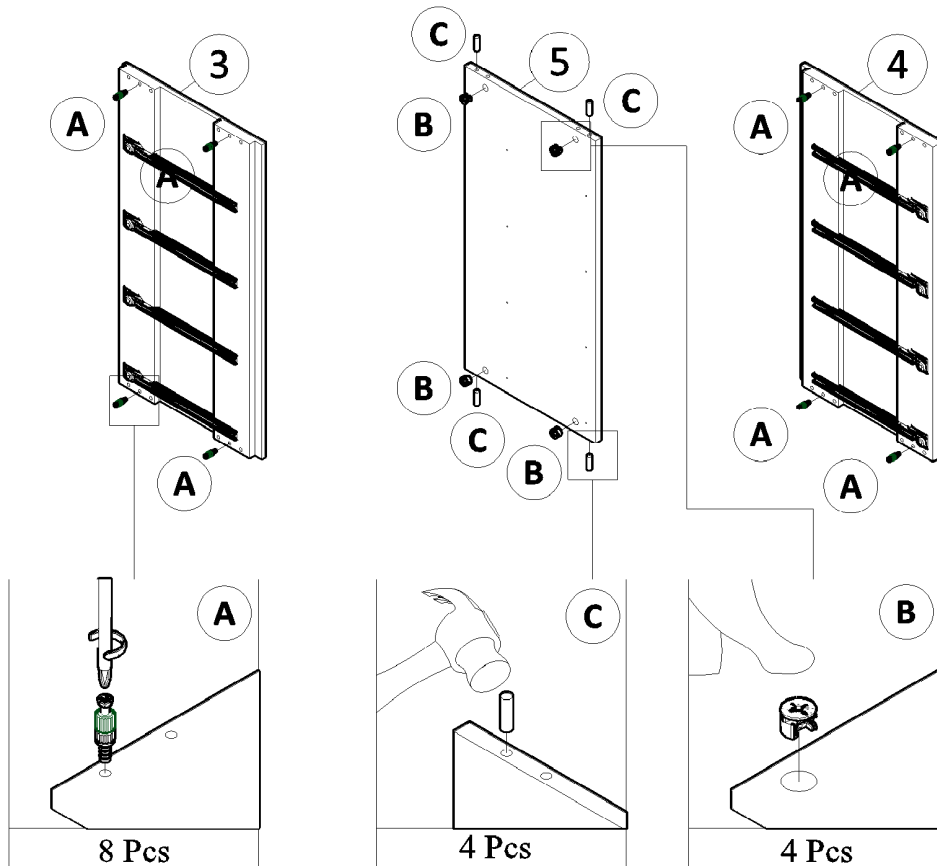
Failure to follow these directions could cause poor strength or stability.  
Insert screws loose to line up with slots then tighten up each screw.

1



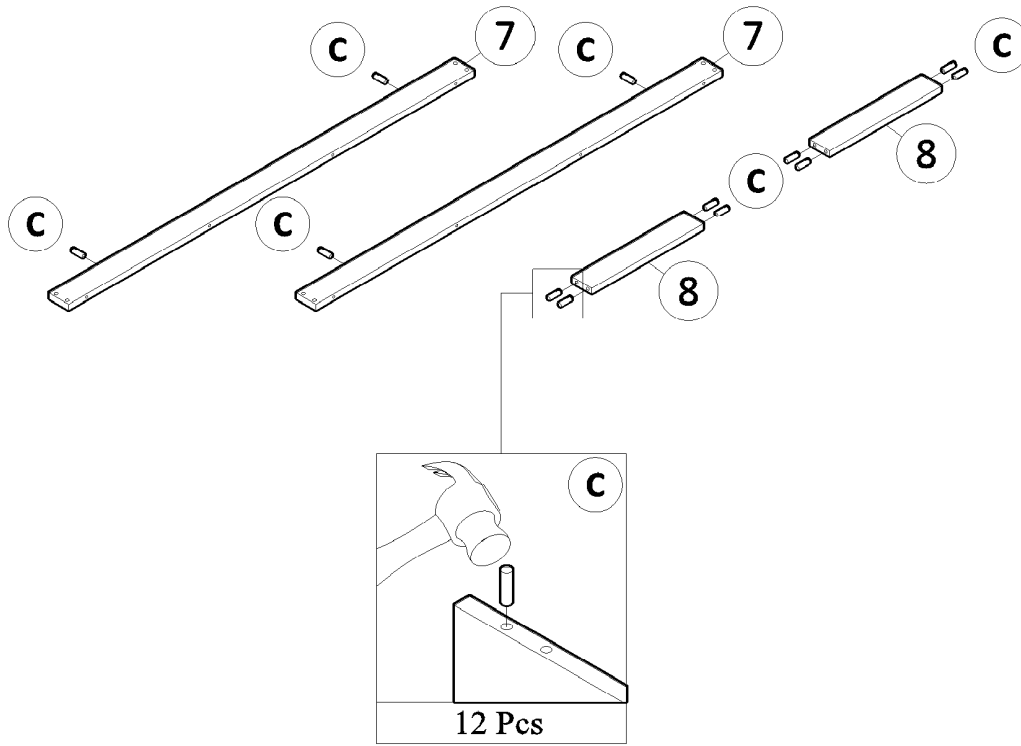
Installation:  
As shown, use the screwdriver to make the screw goes into the hole until the screw is tight.

2

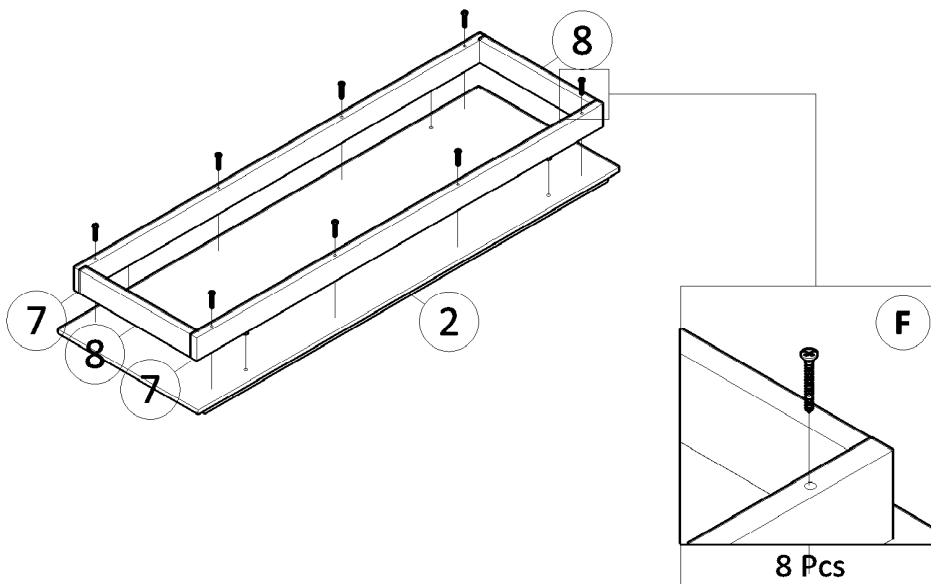


# Assembly Step (Continue)

3

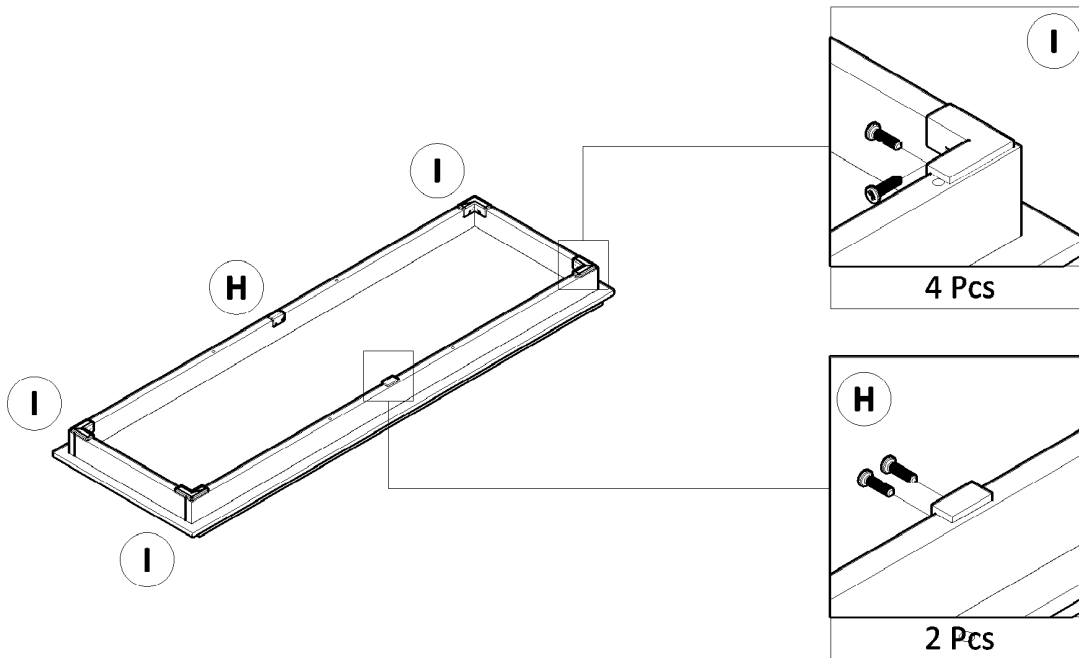


4



# Assembly Step (Continue)

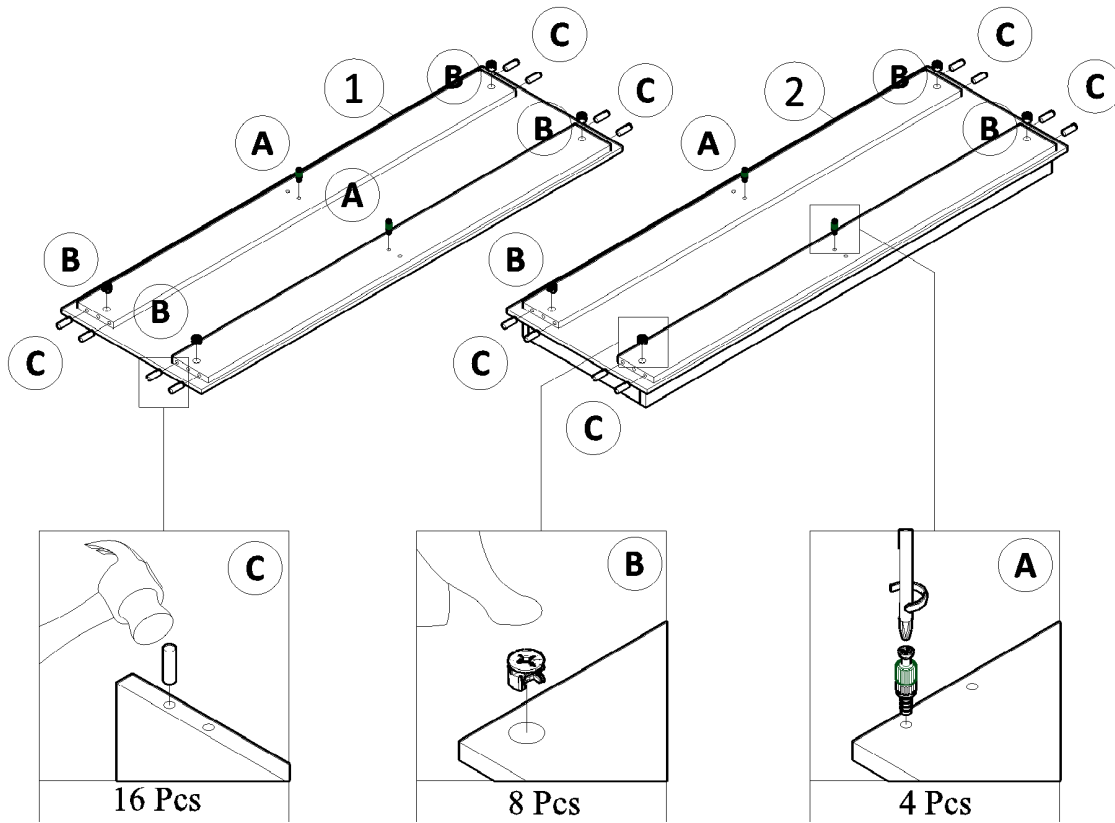
5



Installation:

As shown, use the screwdriver to make the screw goes into the hole until the screw is tight.

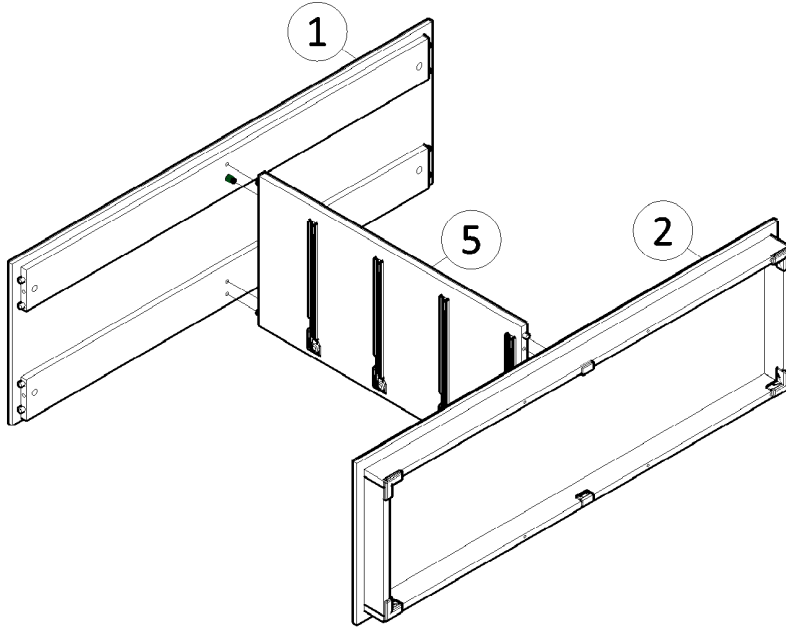
6



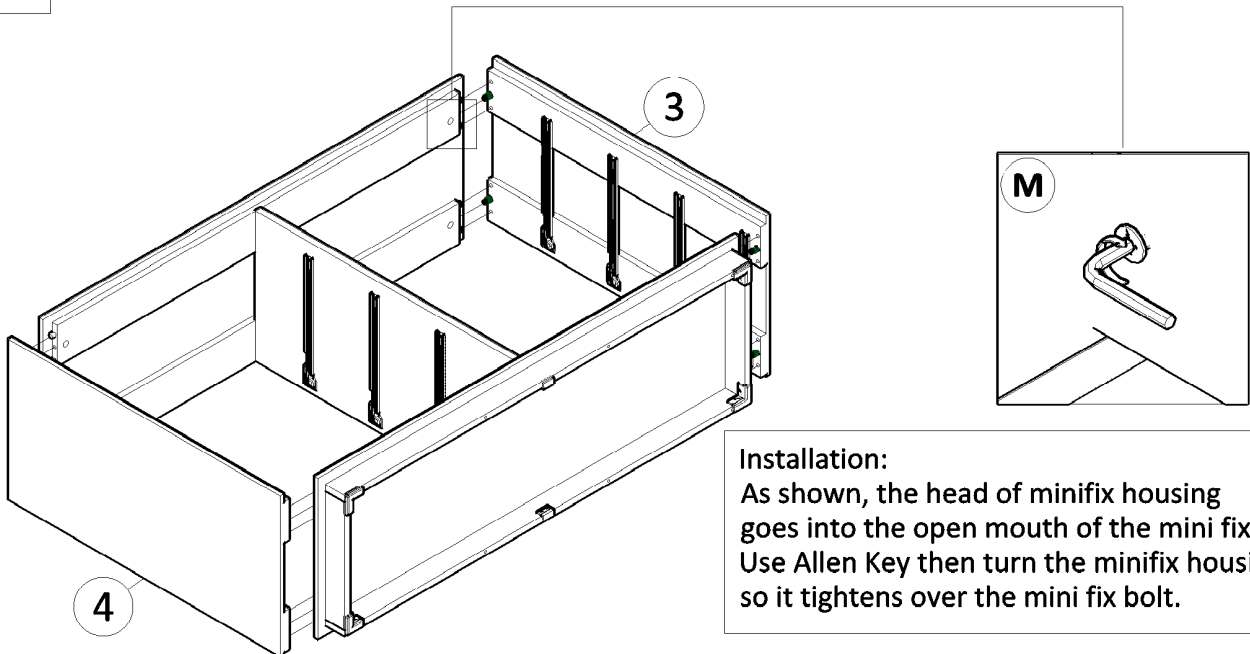


# Assembly Step (Continue)

7



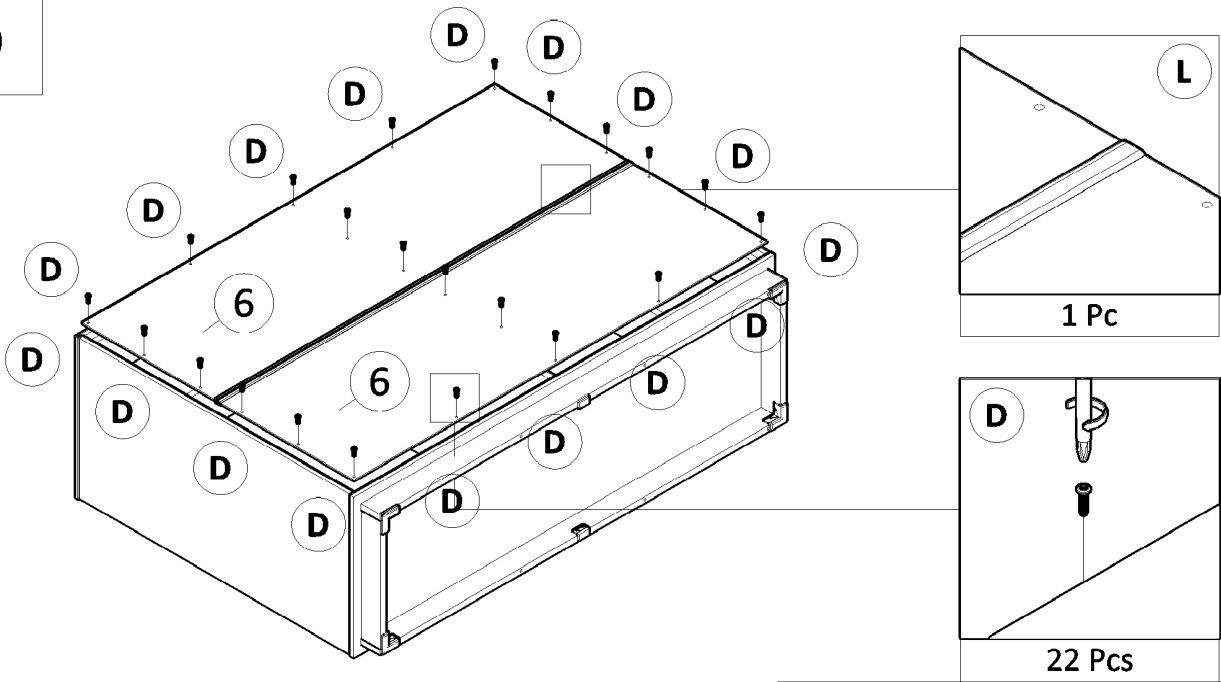
8



**Installation:**  
As shown, the head of minifix housing goes into the open mouth of the mini fix bolt. Use Allen Key then turn the minifix housing so it tightens over the mini fix bolt.

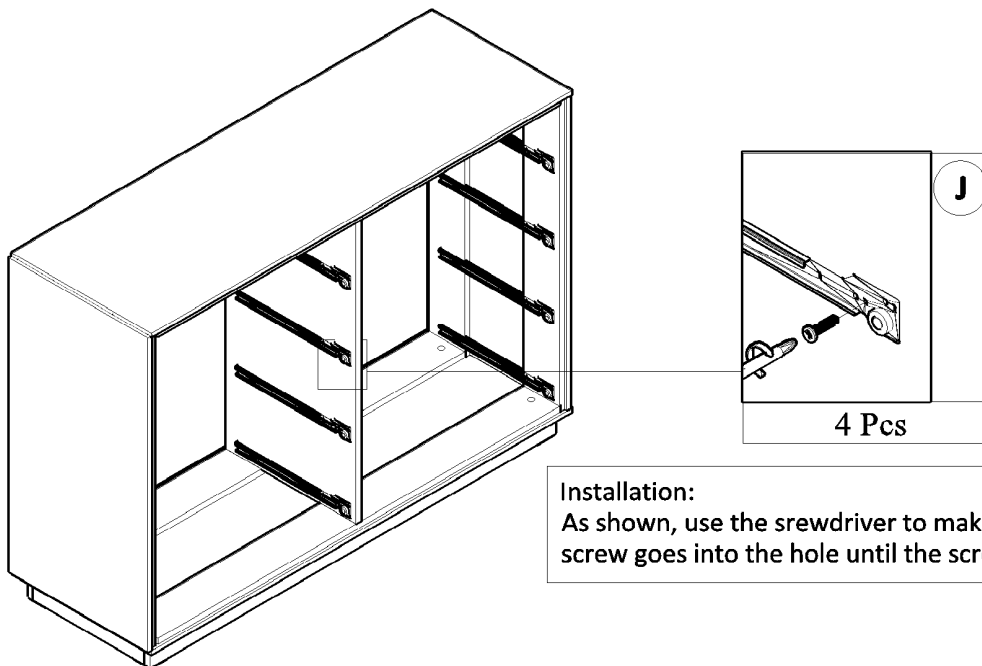
# Assembly Step (Continue)

9



**Installation:**  
As shown, use the screwdriver to make the screw goes into the hole until the screw is tight.

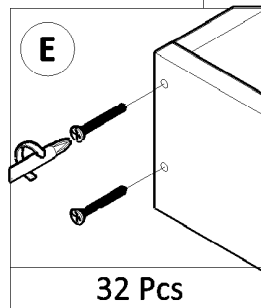
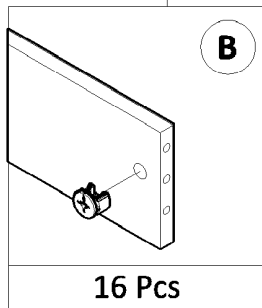
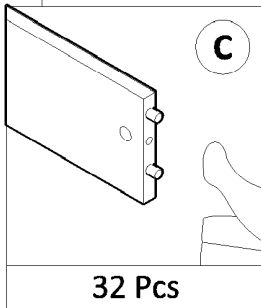
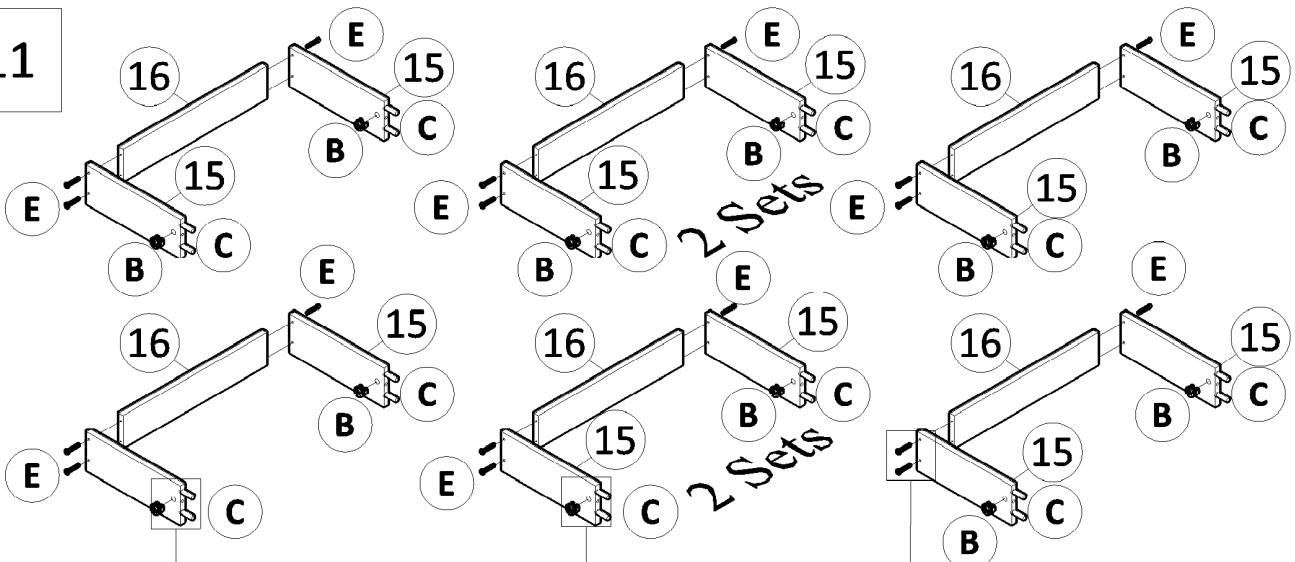
10



**Installation:**  
As shown, use the screwdriver to make the screw goes into the hole until the screw is tight.

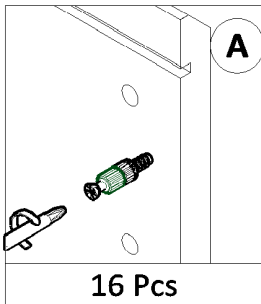
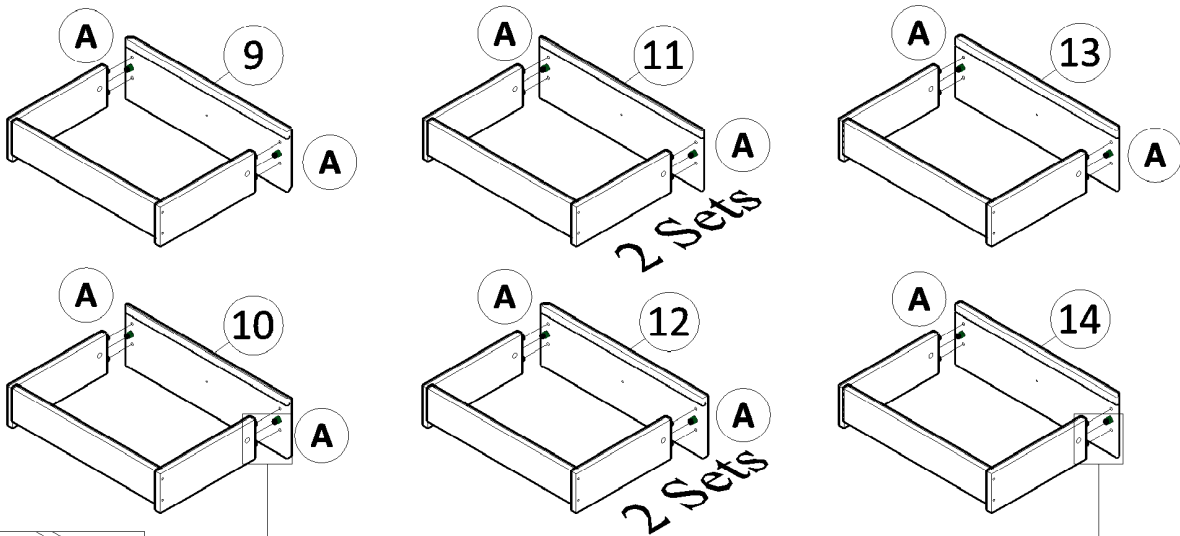
# Assembly Step (Continue)

11

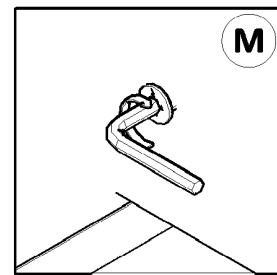


**Installation:**  
As shown, use the screwdriver to make the screw goes into the hole until the screw is tight.

12

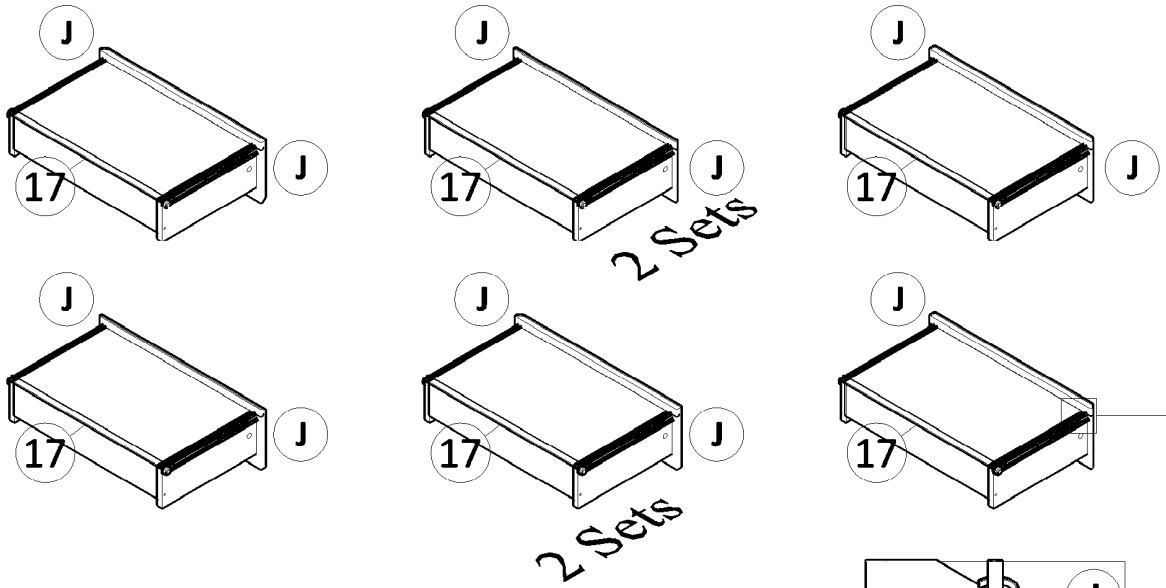


**Installation:**  
As shown, the head of minifix housing goes into the open mouth of the mini fix bolt. Use Allen Key then turn the minifix housing so it tightens over the mini fix bolt.

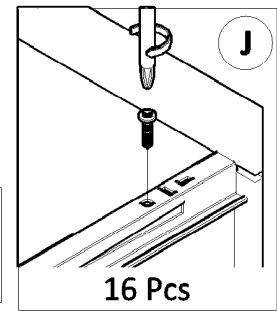


# Assembly Step (Continue)

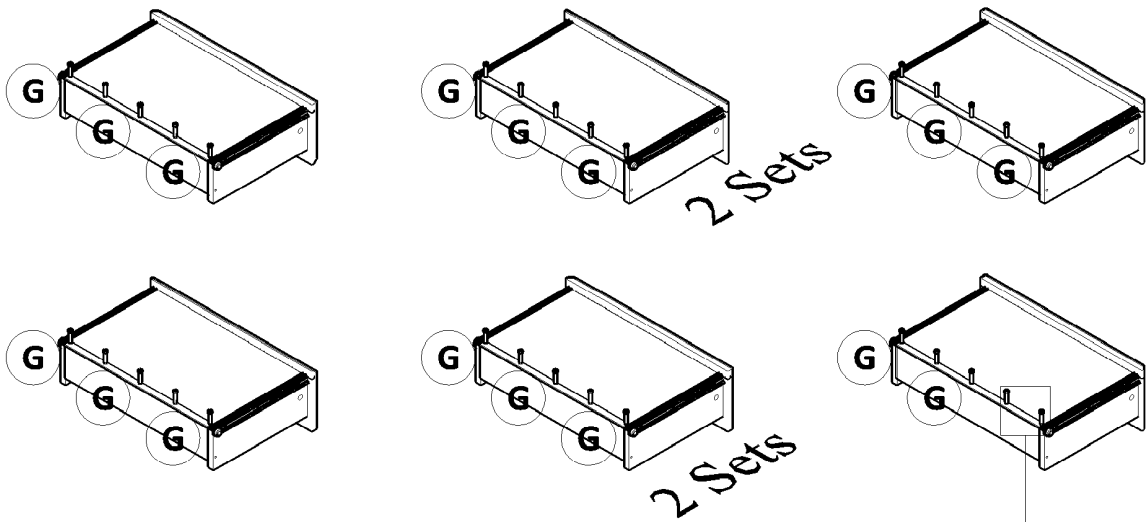
13



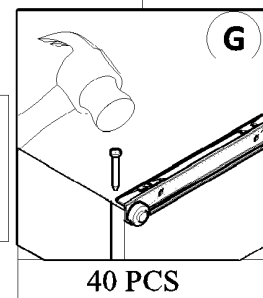
Installation:  
As shown, use the screwdriver to make the screw goes into the hole until the screw is tight.



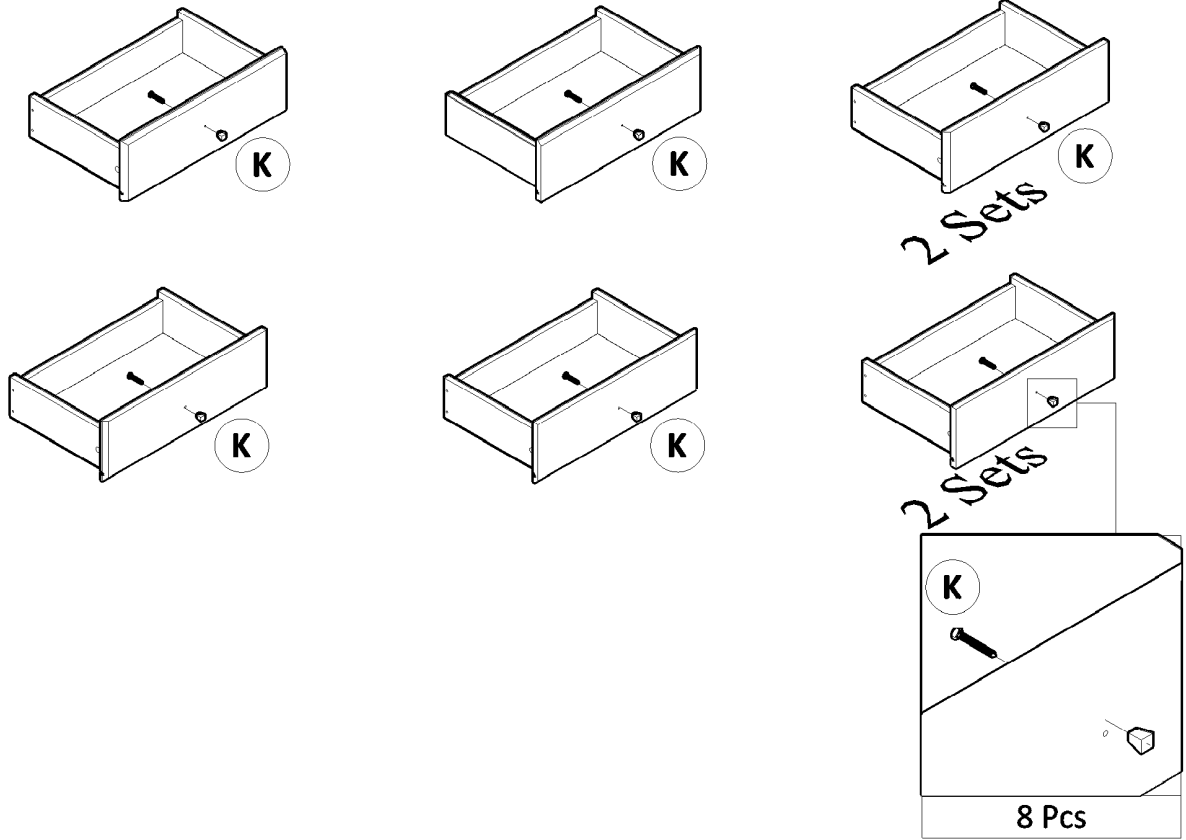
14



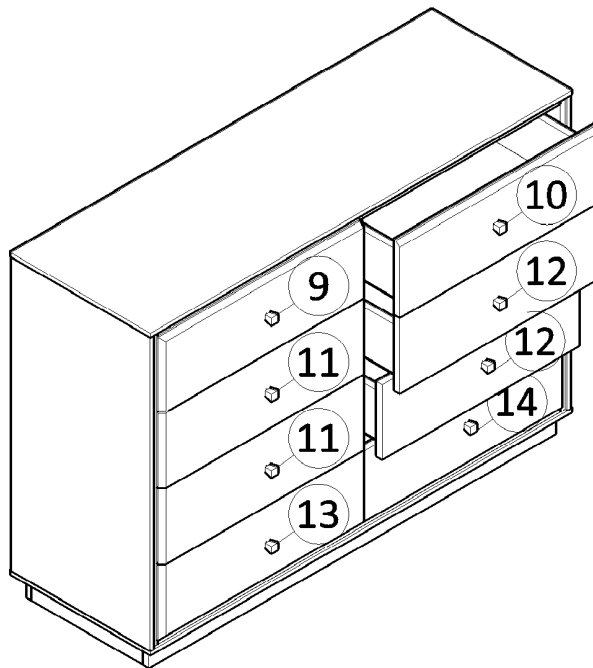
Installation:  
As shown, use the hammer to make the power pin goes into the hole until the power pin is tight.



15



16 FINAL COMPLETED



# Safety

Please read the below warnings before use.

Failure to follow these warnings could result in serious injury.



## CAUTION !!!

### Purpose

- Do not use this unit except for original application
- This unit is for household use. Do not use it for wholesale.
- This unit is for indoor use. Do not use it outside.

### Assembly

- Assembling with 2 or more people is recommended
- Please assemble at a spacious and flat place
- Please place blankets or cardboard so floor or walls will not be scratched
- Please ventilate the area if there is strong glue odor after opening the product
- Please follow assembly instructions

### Placing The Unit

- Store the unit on a flat surface.
- Place a mat under the unit if you place it on wood floors for floor protection
- Do not place the unit in areas where conditions are extreme, such as direct sun or a humid place
- Do not place the unit in a hot or humid area, such as near the heater or fireplace

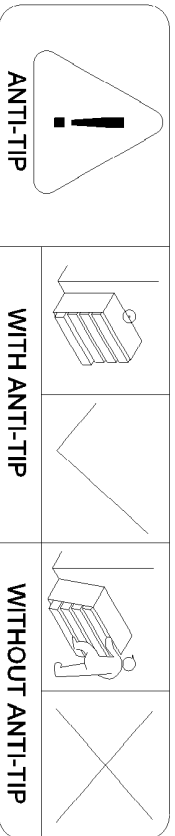
### Usage

- Please check your surroundings when you use this unit
- Do not place any hot or wet objects on the unit
- Remove all objects on the unit when you move it
- Do not leave water or wet objects on the surface.
- Do not use it for toys
- Do not stand on it or use it for a step stool.
- Do not overload only the top drawers. Load the same amount to help prevent tipping of the unit.
- Do not leave drawers open or put pressure on opened drawers to help prevent falling or wrecking.
- Do not stand or put pressure on opened drawers.
- Colors could fade
- Please open drawers slowly
- Make sure you do not catch your finger when you use the drawer.
- Weight Capacity Top insert: About **30KG** , Shelf insert: About **10KG**,  
※ These are measured figures, not guaranteed figures

# Cleaning

- Please check all assembled parts are tight regularly. (About once a month)
- Use dry soft cloths for dust and spots
- For heavy spots, use clothes with neutral detergent then dry in a well ventilated area.
- Do not use if any parts are broken.
- Please recycle the unit or its package depending on your city rules.

## ANTI-TIP DEVICE INSTALLATION INSTRUCTION

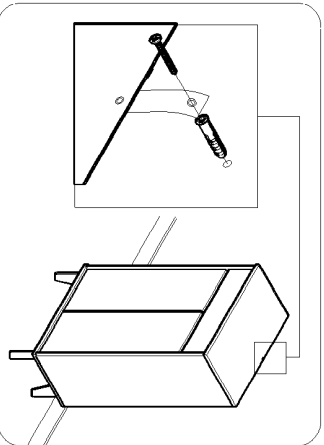
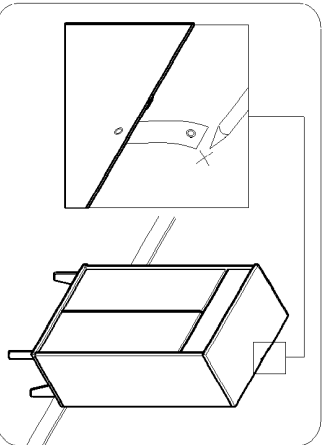
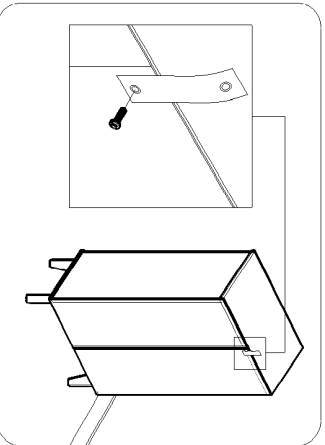
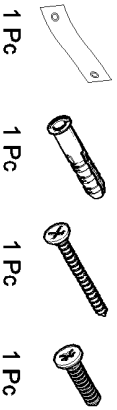


### Installation Instruction :

A tip restraint must be attached to a wall stud using the 2" screw enclosed.

1. Attach a strap to the back top rail or back top edge of the furniture using the 5/8" screw provided.
2. Locate the strap on the wall over a wall stud and 2 inches below the mounting strap secured to the back of your unit. Attach to the wall stud using the 2" screw provided, through the smaller hole.
3. Place the furniture into position so both mounting strap are vertically in line.
4. Lace the end of the restraint strap through the larger hole in each mounting strap. Bring both ends together and slide the flat end through the locking end and draw it through until all slack is removed.
5. Confirm that the strap is securely laced and locked.

Part Include :



**IMPORTANT SAFETY INSTRUCTIONS**  
Read and follow all instructions when using the range to prevent the risk of personal injury or damage. This guide does not cover all possible conditions that may occur. Always contact your service agent or manufacturer about problems that you do not understand.



This is the safety alert symbol. This symbol alerts you to potential hazards that can result in property damage and/or serious bodily harm or death. All safety messages will follow the safety alert symbol and either the word **WARNING** or **CAUTION**. These words means:



**WARNING** - Indicates a hazardous situation which, if not avoided, could result in death or serious injury.



**CAUTION** - Indicates a hazardous situation which, if not avoided, could result in minor or moderate injury.

### ANTI-TIP DEVICE

#### ! WARNING

- **TO REDUCE THE RISK OF TIPPING, THE APPLIANCE MUST BE SECURED BY A PROPERLY INSTALLED ANTI-TIP DEVICE. TO CHECK IF THE DEVICE IS INSTALLED PROPERLY, VERIFY THAT ANTI DEVICE IS ENGAGED, OR GRASP THE TOP REAR EDGE OF THE RANGE BACK GROUND AND CAREFULLY ATTEMPTED TO TILT IT FORWARD.** Refer to the installation section for instructions.
- A child or adult can tip the range and be killed.
- Install the anti-tip device to the structure and/or the range. Verify the anti-tip device has been properly installed and engaged following the instructions on the anti-tip bracket template.
- Engage the range to the anti-tip device following the instructions on the anti-tip bracket template. Ensure the anti-tip device is re-engaged when the range is moved by following the instruction on the anti-tip bracket template.
- Re-engage the anti-tip device if the range is moved. Do not operate the range without the anti-tip device in place and engaged.
- See installation instruction for details.
- Failure to do so can result in death or serious injury to children or adults.
- Never remove the dresser/chest of drawer legs. The range will not be secured to the anti-tip bracket if the legs are removed.
- Do not step or sit on drawers. The range could be tipped and injury might result.
- Do not rest large heavy items on the open drawer. The range could tip forward and cause injury.
- Re-engage the anti-tip device after pulling the range out for moving or any other reason.
- Failure to follow these instructions can result in serious injury or death to children or adults.

Manufactured by : **SAE Enterprise Sdn Bhd** 03/2018  
Address : **PL0 65, No:K16, Kawasan Perindustrian Tanjung Agas, 84000 Muar, Johor, West Malaysia.**