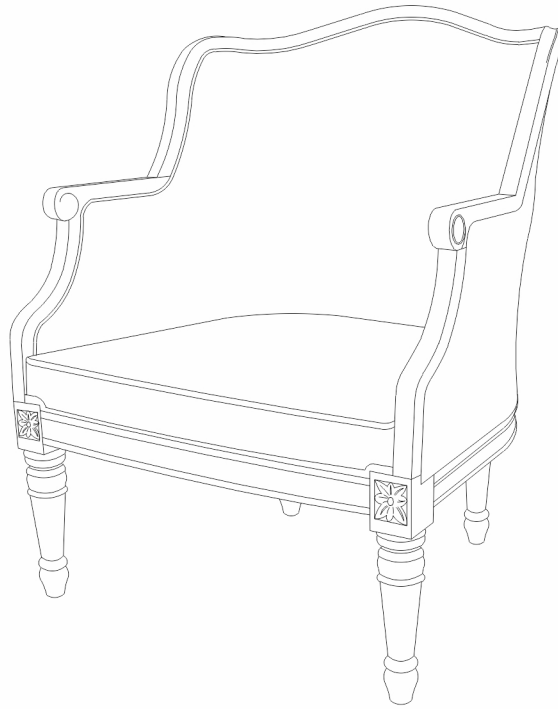
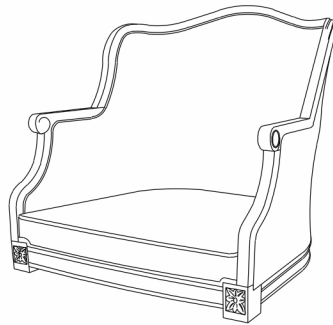


# CABRIOLET WILSON SEATER



## PART LIST



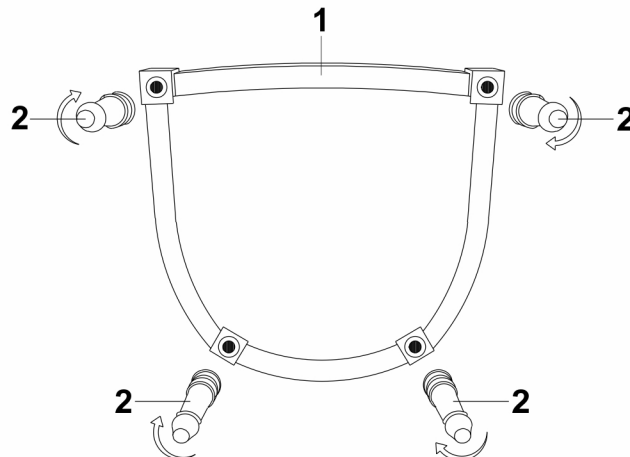
1  
1 Pc



2  
4 Pcs

## ASSEMBLY STEPS

Attach part 2 to part 1 by rotating it.



Please match the code number on the leg and table top , for example : legs A1 and corner table top A1 , legs A2 and corner table top A2 , etc