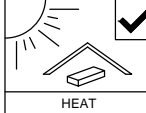




SOFT, DRY CLOTH



CHEMICAL



HEAT



KEEP DRY



HANDLE WITH CARE



DO NOT USE KNIFE

ASSEMBLY INSTRUCTION

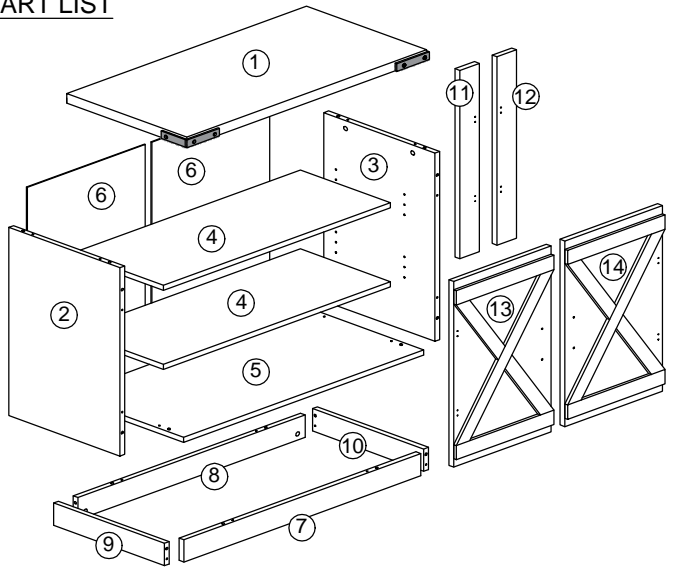
MODEL : SC 910041-2

DESCRIPTION : 2 DOOR SHOE CABINET

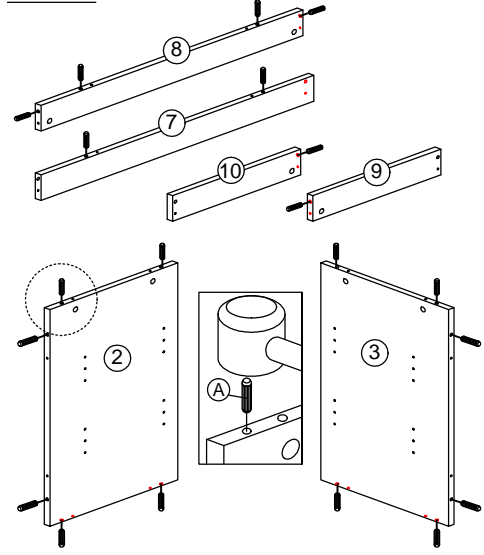
HARDWARE

A WOOD DOWEL M8 X 25MM 20	B CB SCREW M3.5X16MM 24	C CSK CAP WOOD M6X40MM 4	D NAIL 5/8 16	E L KEY 1	F MINIFIX 5654+5546 16 SETS	F MINIFIX CAP 16	G 3.5 KG MAGNET (1 HOLE) 2 SETS	H HANDLE 7050 2	H HANDLE SCREW CAP M4X19MM 4	I SHELF SUPPORT 8	J PVC NAIL WITH PIN 5/8 4	K METAL HINGES BRACKET 4
-----------------------------------------------	---------------------------------------------	----------------------------------------------	--------------------------------	----------------------------	----------------------------------------------	-----------------------------------	--------------------------------------------------	----------------------------------	--------------------------------------------------	------------------------------------	--------------------------------------------	-------------------------------------------

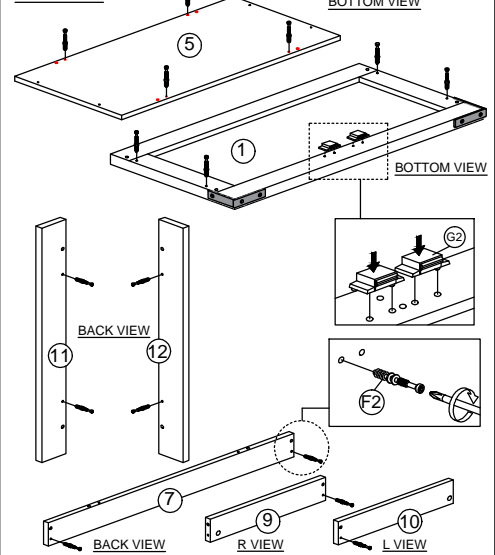
PART LIST



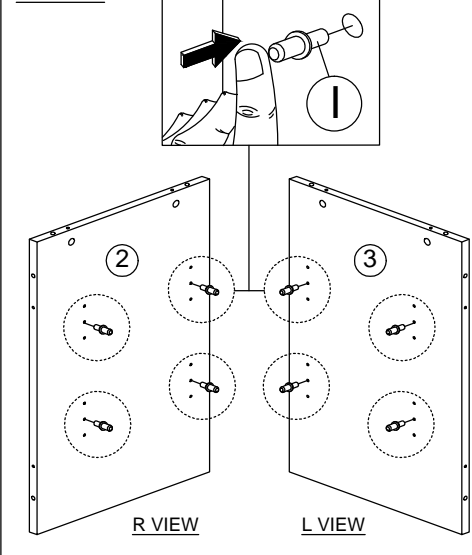
STEP 1



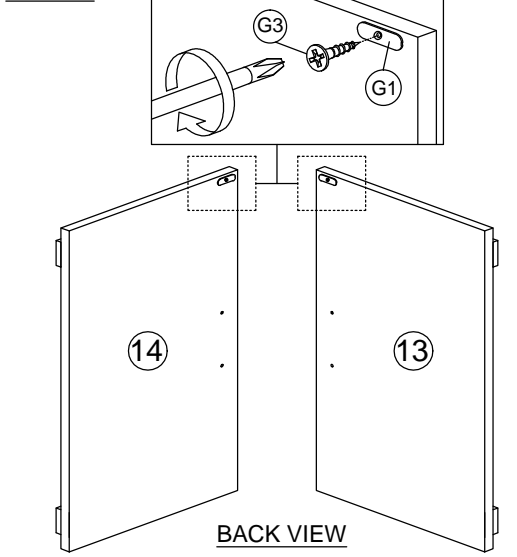
STEP 2



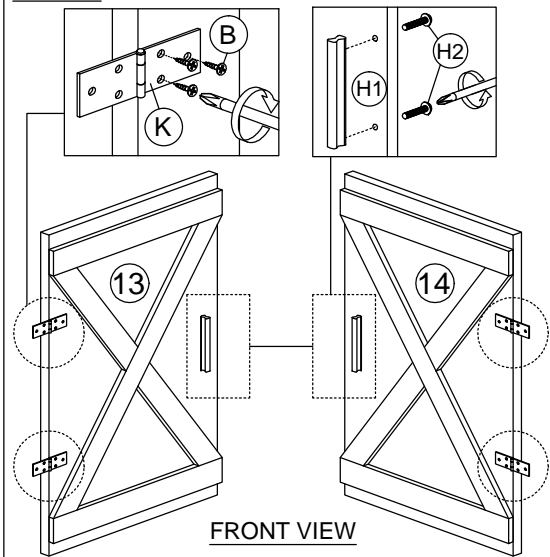
STEP 3



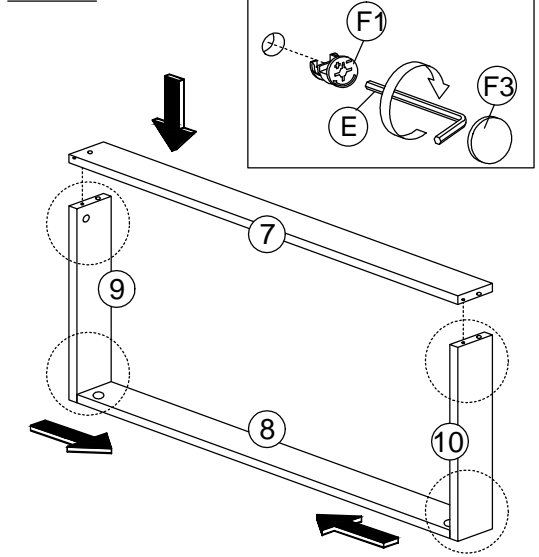
STEP 4



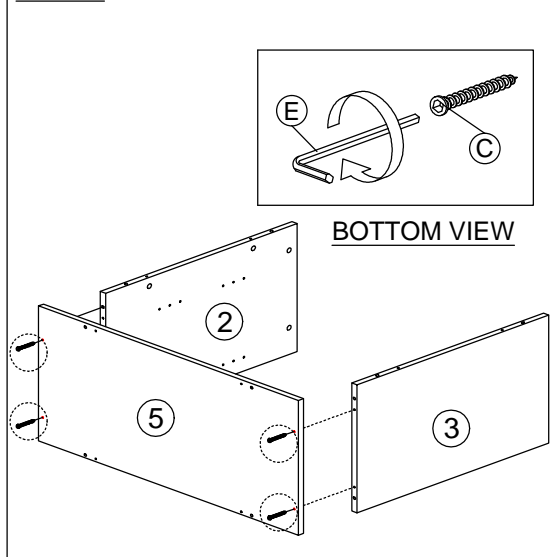
STEP 5



STEP 6

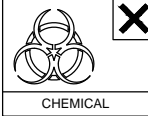


STEP 7

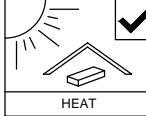




SOFT, DRY CLOTH



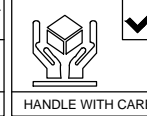
CHEMICAL



HEAT



KEEP DRY



HANDLE WITH CARE



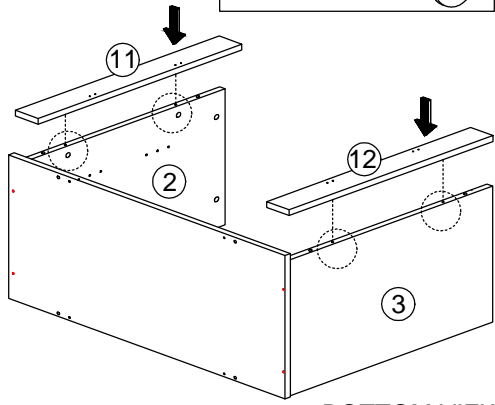
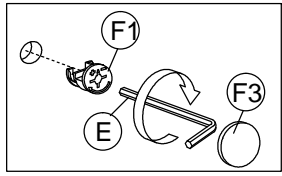
DO NOT USE KNIFE

ASSEMBLY INSTRUCTION

MODEL : SC 910041-2

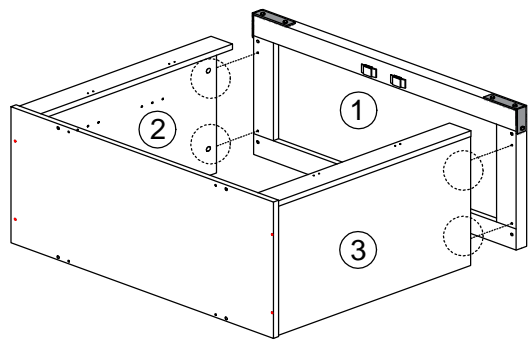
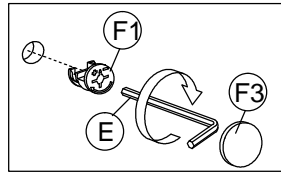
DESCRIPTION : 2 DOOR SHOE CABINET

STEP 8



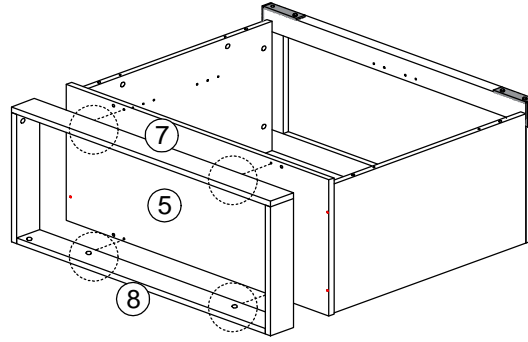
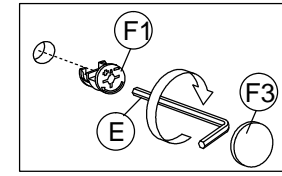
BOTTOM VIEW

STEP 9



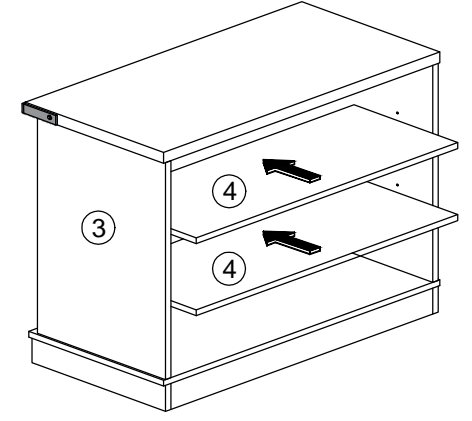
BOTTOM VIEW

STEP 10



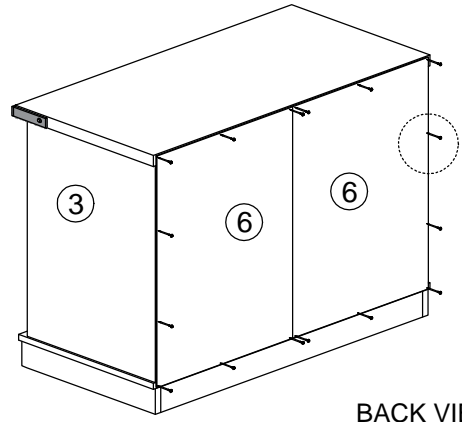
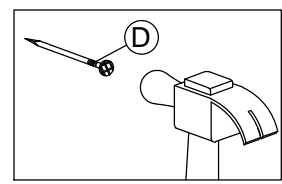
BOTTOM VIEW

STEP 11



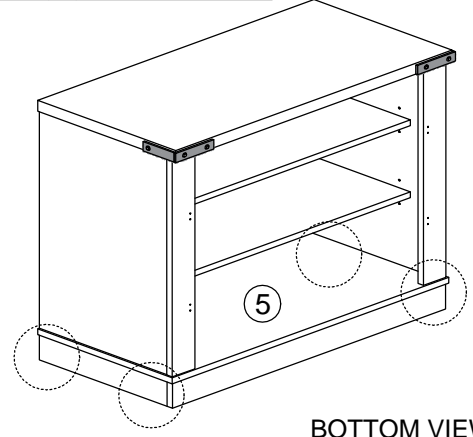
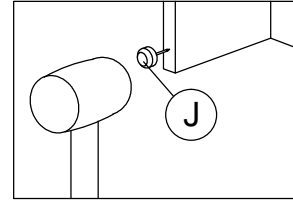
BACK VIEW

STEP 12



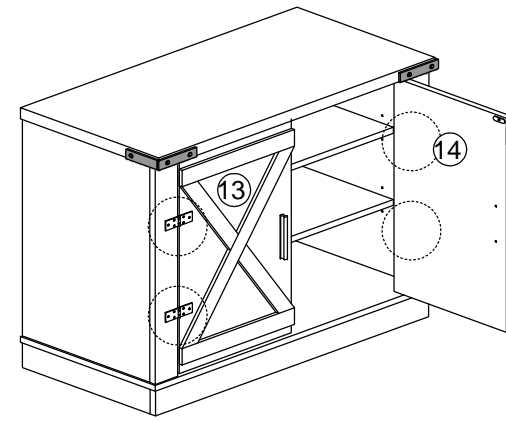
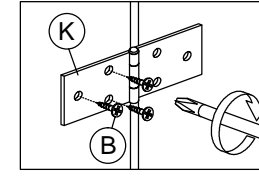
BACK VIEW

STEP 13

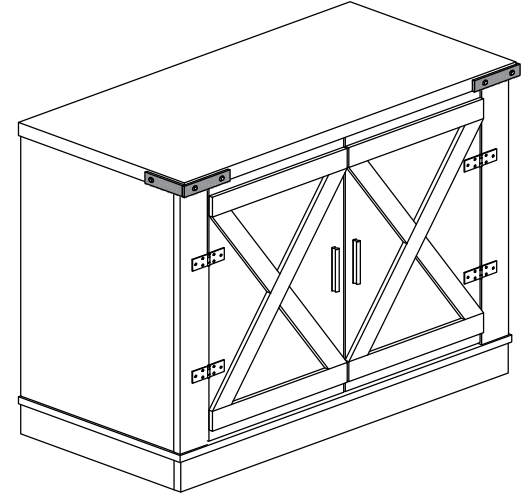


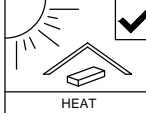
BOTTOM VIEW

STEP 14



COMPLETED





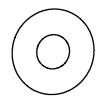
ASSEMBLY INSTRUCTION

MODEL : SC 910041-2

DESCRIPTION : 2 DOOR SHOE CABINET

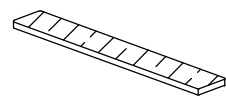
ANTI STOPPER

V



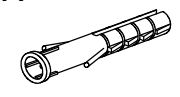
WASHER
X4

W



SAFETY STRAP
X2

X



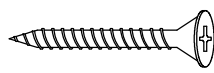
PLASTIC WALL ANCHOR-RED
X2

Y



CB SCREW
M3.5X16MM
X2

Z



CB SCREW
M4X38MM
X2

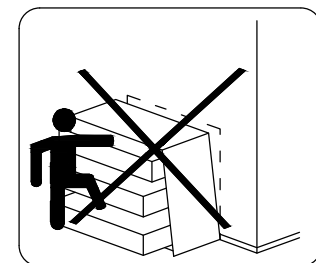
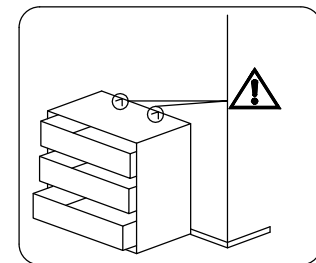
1. Mark the wall with a pencil.

2. Drill a hole in the wall.

3. Hammer the plastic wall anchor into the hole.

4. Insert the washer (V) and safety strap (W) into the hole.

5. Tighten the CB screw (Z) with a power drill.



WARNING

Serious or fatal crushing injuries can occur from furniture tipover. To help prevent tip-over:

- Install tip over restraint provided.
- Place heaviest items in the lower drawers.
- Unless specifically designed to accommodate, do not set TVs or other heavy object on top of this product.
- Never allow children to climb or hang on drawers, doors or shelves.
- Never open more than one drawer at a time. (OR)
- Do not defeat or remove the drawer interlock system.

Use of tipover restraints may only reduce, but not eliminate, the risk of tipover.

This is a permanent label. Do not remove.