

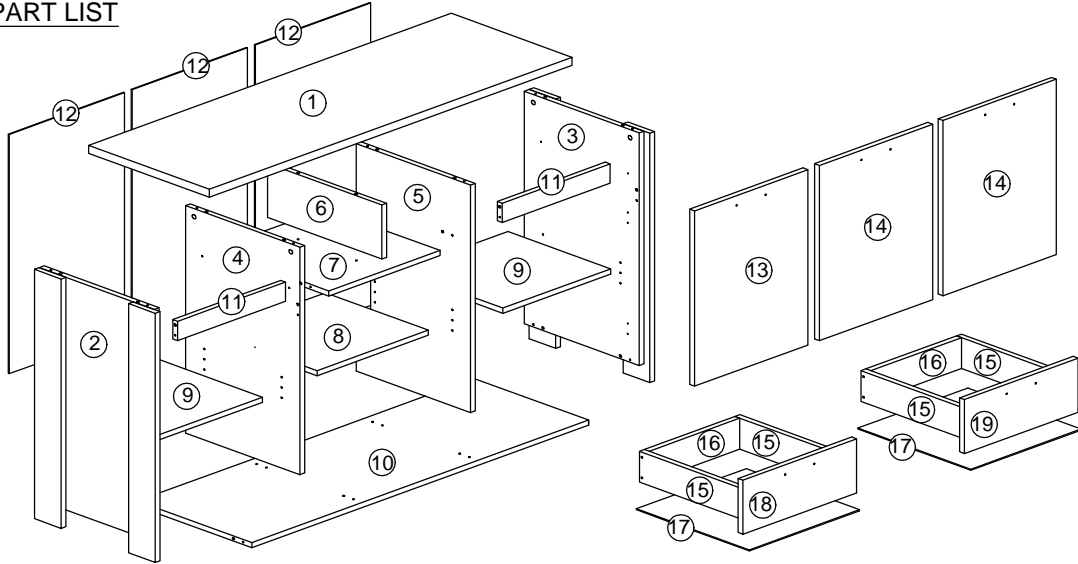
ASSEMBLY INSTRUCTION

MODEL : SB 002

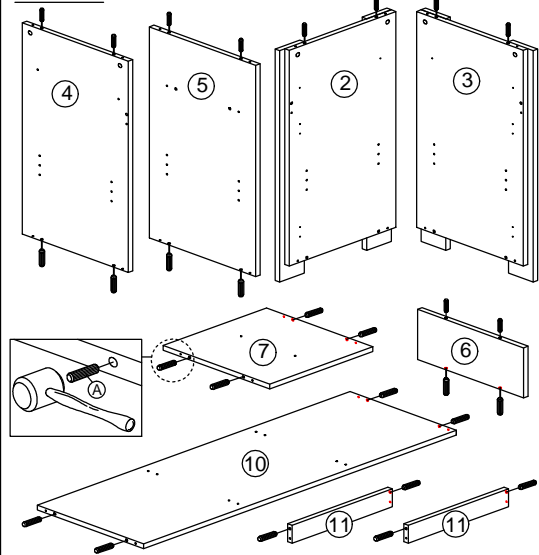
DESCRIPTION : SIDEBORD WITH 3 DOOR AND 2 DRAWERS

HARDWARE	A	B	C	D	E	F	G	H	I	J	K	L	M	N		
	WOOD DOWEL M8 X 25MM	MINIFIX 5654+5546	QUICKFIT CAP	CB SCREW M3.5X16MM	CB SCREW M4X38MM	CB SCREW M4X45MM	NAIL 5/8	L KEY	HANDLE 7050 -96MM	HANDLE SCREW M4X19MM	HINGES 5/8	HINGES 2/8	DRAWER SLIDE 14"	SHELF SUPPORT	PVC NAIL WITH 5/8	PVC LEG 50MM
	28	20 SETS	48	18	4	42	1	5	10	4	2	2 SETS	12	4	2	

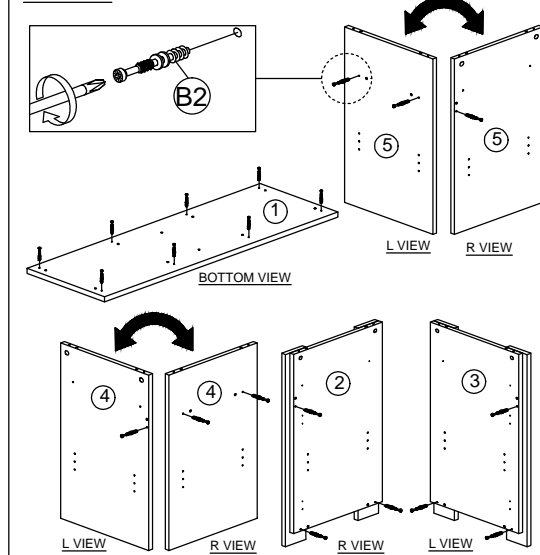
PART LIST



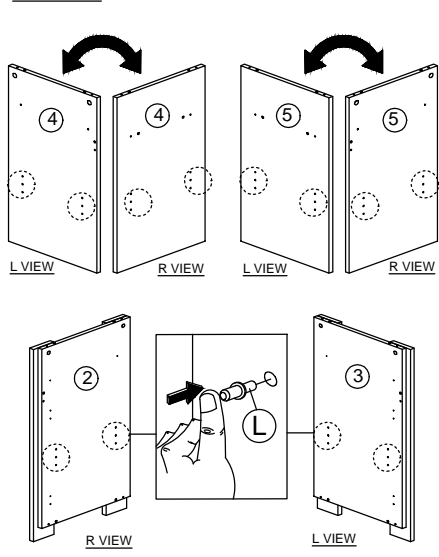
STEP 1



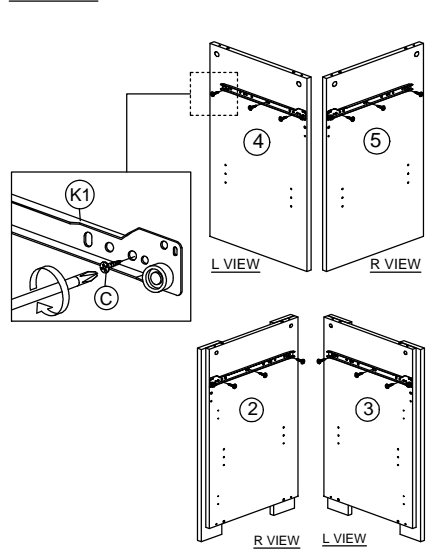
STEP 2



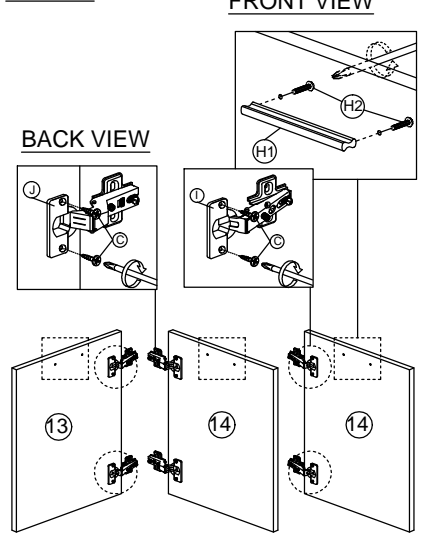
STEP 3



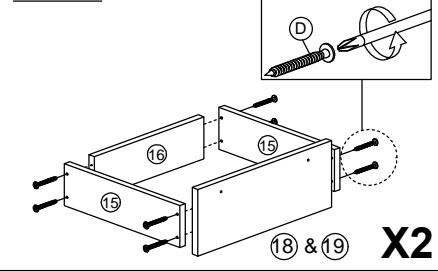
STEP 4



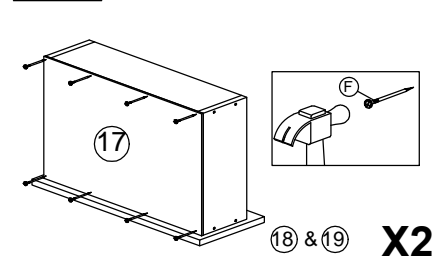
STEP 5



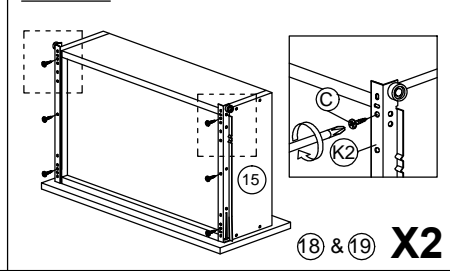
STEP 6



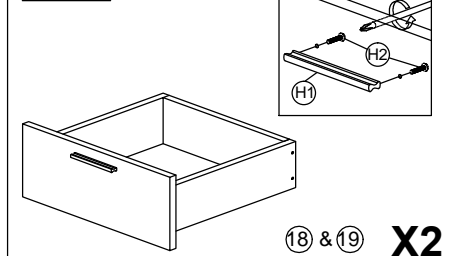
STEP 7



STEP 8

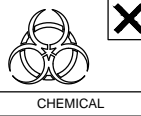


STEP 9

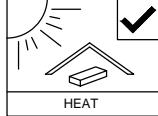




SOFT, DRY CLOTH



CHEMICAL



HEAT



KEEP DRY



HANDLE WITH CARE



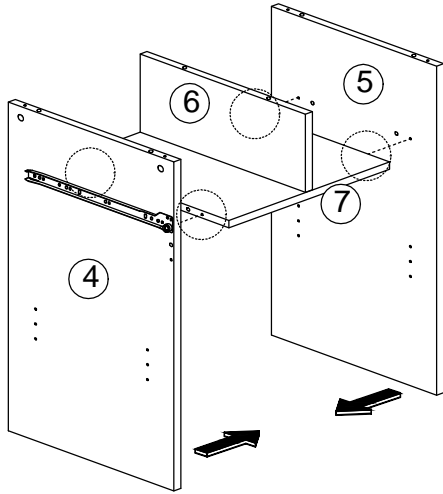
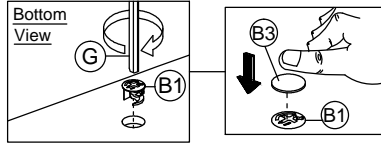
DO NOT USE KNIFE

ASSEMBLY INSTRUCTION

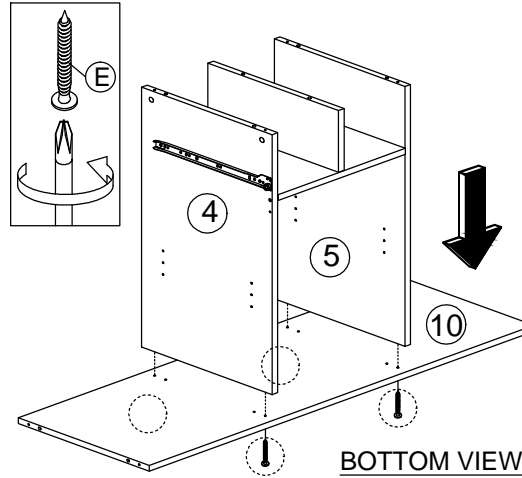
MODEL : SB 002

DESCRIPTION : SIDEBORD WITH 3 DOOR AND 2 DRAWERS

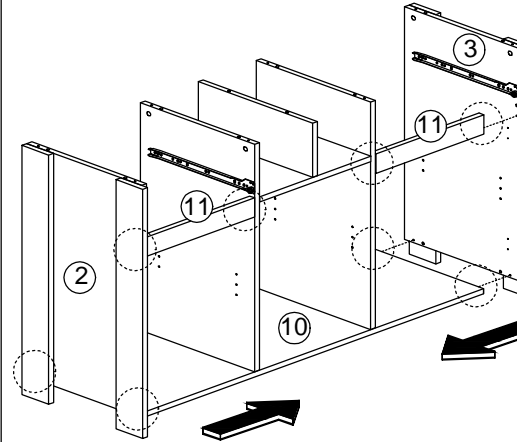
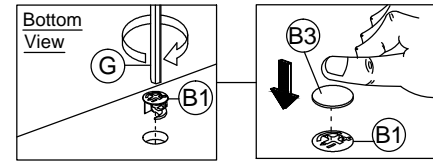
STEP 10



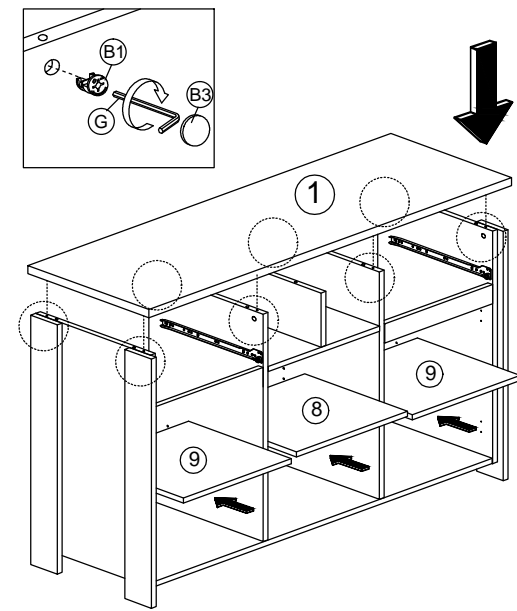
STEP 11



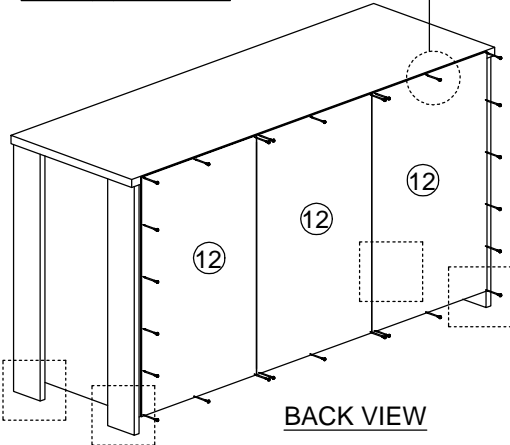
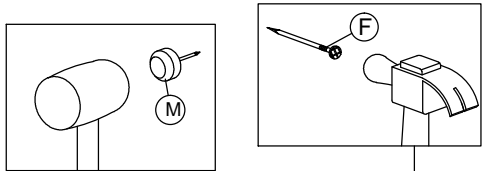
STEP 12



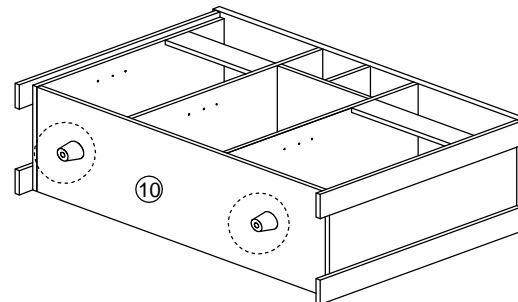
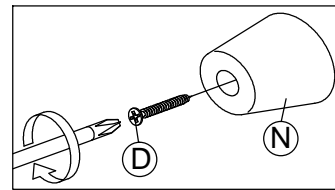
STEP 13



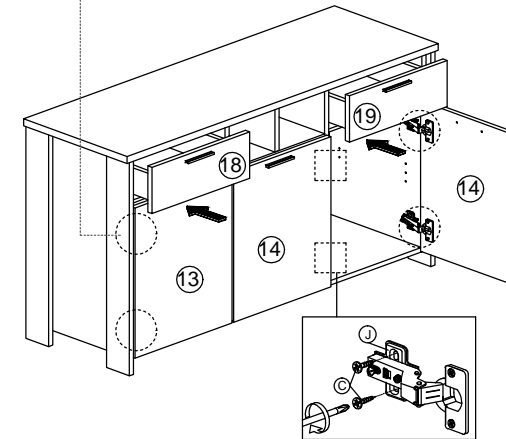
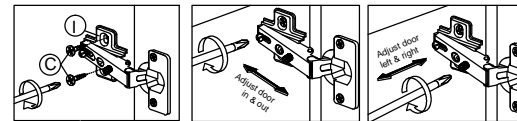
STEP 14



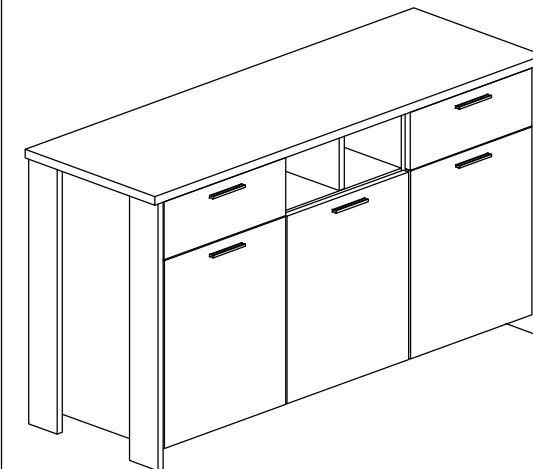
STEP 15



STEP 16

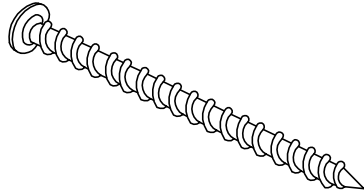


COMPLETED

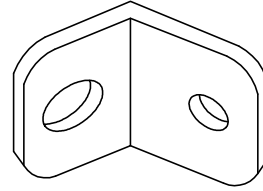


Installation of Anti-Tip Restraint

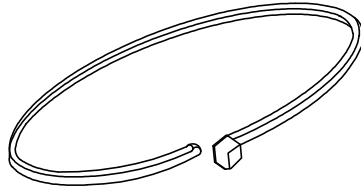
Kit includes:



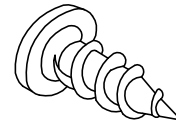
A (x1)
Long screw



B (x2)
Mounting bracket



C (x1)
Restraint strap



D (x1)
Short screw



WARNING



Serious or fatal crushing injuries can occur from furniture tip-over. To help Prevent tip-over:

- Install tip-over restraint provided
- Place heaviest items in the lower drawers
- Do not set TV's or other heavy objects on top of this product
- Never allow children to climb or hang on drawers, doors or shelves
- Never open more than one drawer at a time
- Do not defeat or remove the drawer interlock system

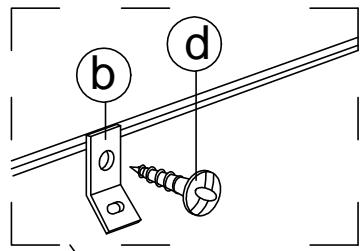
Use tip-over restraints may only reduce but not eliminate the risk of tip-over.

IMPORTANT: Use of this safety kit is mandatory. This restraint is not a substitute for proper adult supervision. Failure to detach this restraint before moving furniture may result in injury and damage.

FITTING OF ANTI-TIP SAFETY STRAP

STEP 1:

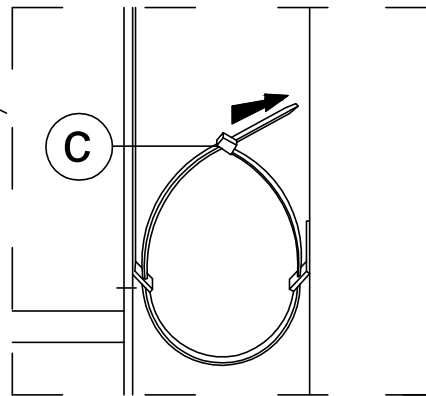
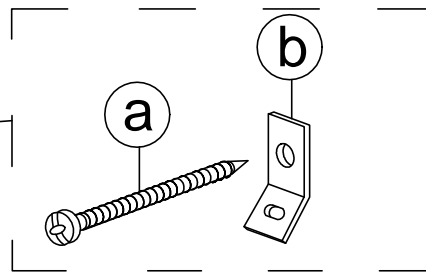
- Attach the mounting bracket (b) to the furniture in the solid part below the top panel a few inches away from the side of the unit.
- Screw (d) through the smallest hole of (b).



BACK SIDE OF TOP PANEL

STEP 2:

- Locate a stud in behind the have to
- Place the other mounting bracket (b) on the wall stud 2 inches below the mounting bracket secured to the back of your unit.
- Attach to the wall stud using (a) through the smaller hole of (b).



STEP 3:

- Repeat the same step a few inches away from the other side of the unit.
- Place the furniture into position so both mounting brackets are vertically in line.
- Lace the end of the restraint strap through the larger holes in each mounting bracket.
- Secure the straps and lock into place.

FURNITURE

WALL

