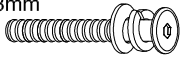
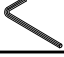


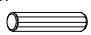

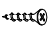


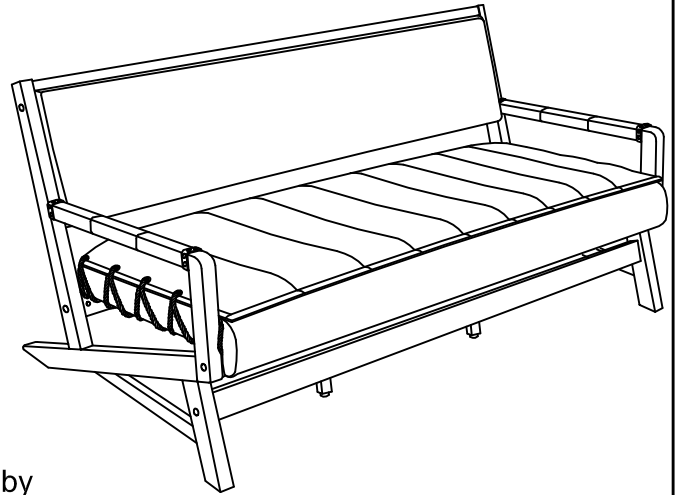
ASSEMBLY INSTRUCTIONS

IMPORTANT NOTE :

- * PLACE ALL WOODEN PARTS ON A CLEAN AND SMOOTH SURFACE SUCH AS A RUG OR CARPET TO AVOID THE PARTS FROM BEING SCRATCHED.
- * BEFORE YOU BEGIN, KINDLY FOLLOW THE ASSEMBLY INSTRUCTIONS STEP BY STEP.

HARDWARE LIST		
A	JCBC M6 x 50mm + S/W M6 + F/W M6 x 13mm 	8PCS
B	ALLEN KEY M4 	1PC
C	BARREL NUT M6 x 13mm 	8PCS
D	WOOD BUTTON Ø 14.5 	8PCS
E	WOOD DOWEL M10 x 40mm 	18PCS
F	L - BRACKET 	8PCS
G	CSK SCREW M3.5 x 16mm 	16PCS

PART LIST		
1	LEG FRAME (R)	1PC
2	LEG FRAME (L)	1PC
3	FRONT RAIL (DOWN)	1PC
4	FRONT RAIL (UP)	1PC
5	BACK RAIL	1PC
6	BACK FRAME	1PC
7	SEAT FRAME	1PC
8	CENTER LEG	2PCS

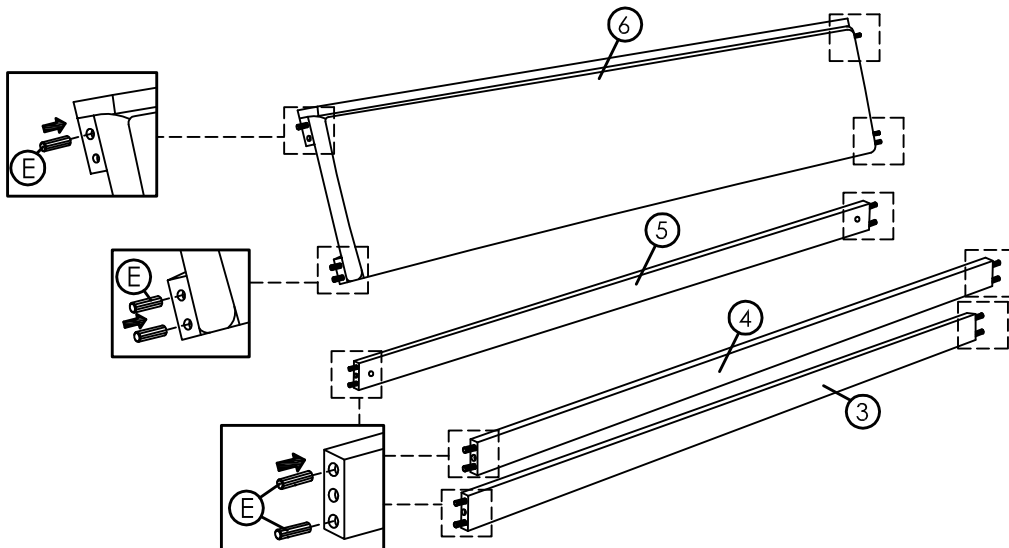


COMPLETED SOFA ASSEMBLY.

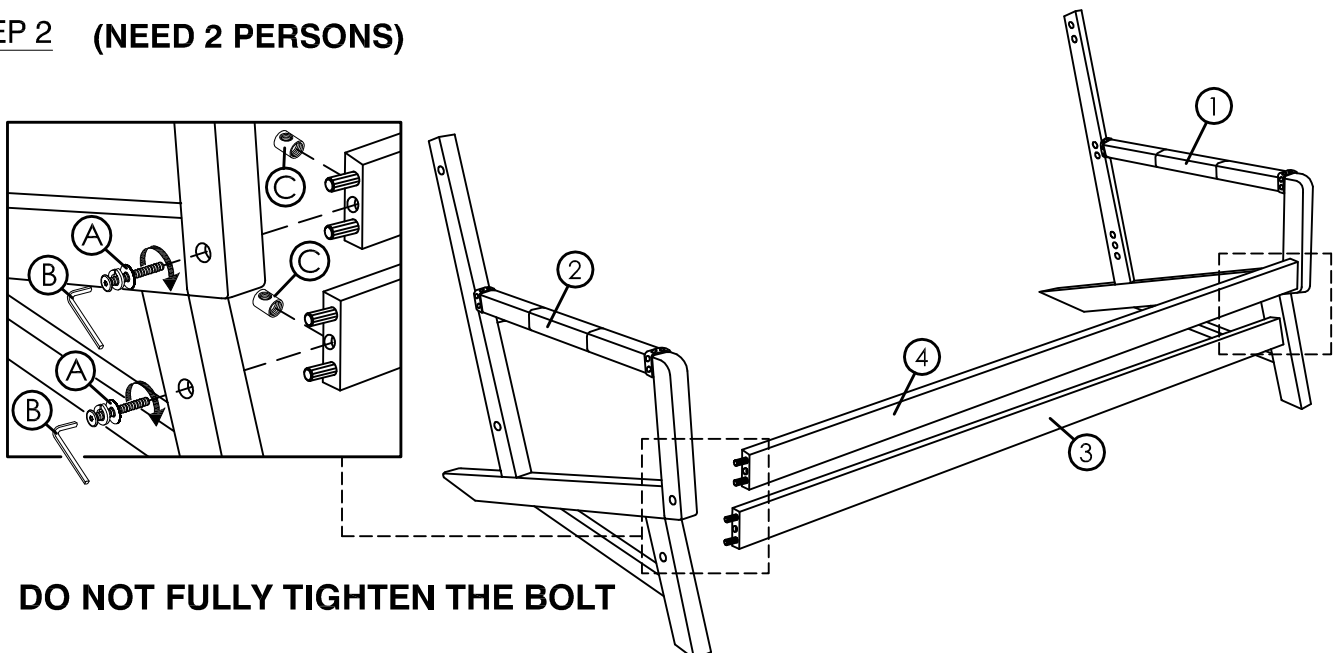


Sofa to be assembled by **2 persons**

STEP 1



STEP 2 (NEED 2 PERSONS)

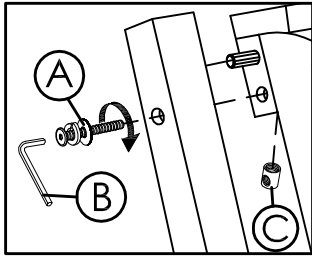


DO NOT FULLY TIGHTEN THE BOLT

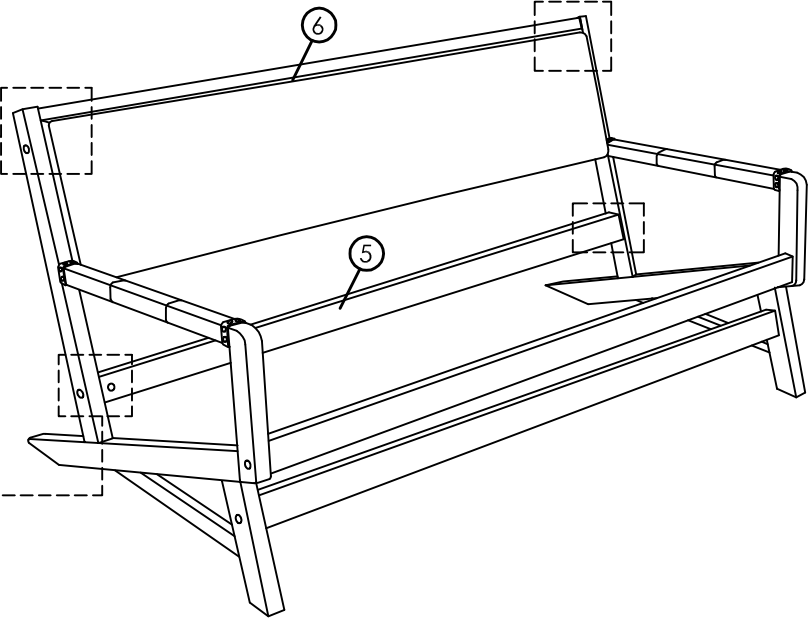
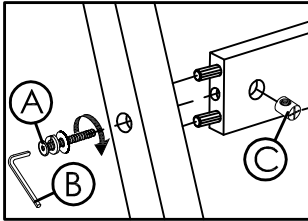
ASSEMBLY INSTRUCTIONS

STEP 3 (NEED 2 PERSONS)

Step 3.a

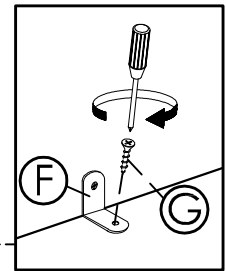


Step 3.b

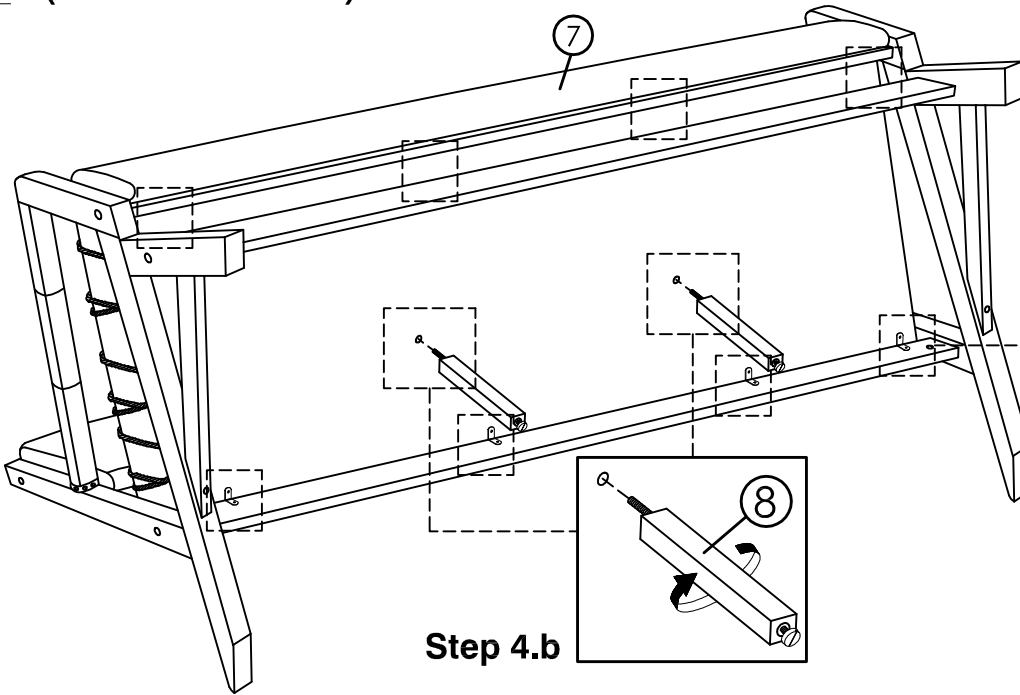
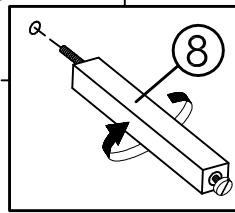


STEP 4 (NEED 2 PERSONS)

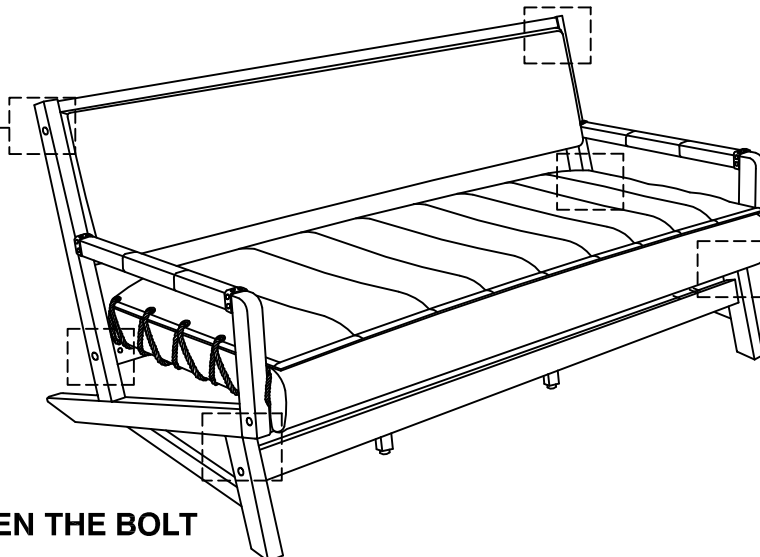
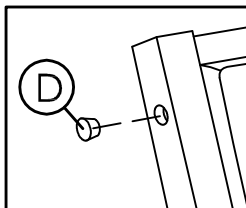
Step 4.a



Step 4.b



STEP 5



FULLY TIGHTEN THE BOLT