

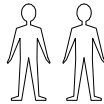
ASSEMBLY INSTRUCTIONS

IMPORTANT NOTE :

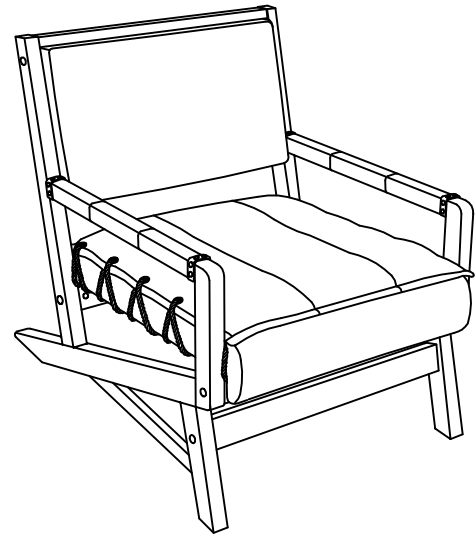
- * PLACE ALL WOODEN PARTS ON A CLEAN AND SMOOTH SURFACE SUCH AS A RUG OR CARPET TO AVOID THE PARTS FROM BEING SCRATCHED.
- * BEFORE YOU BEGIN, KINDLY FOLLOW THE ASSEMBLY INSTRUCTIONS STEP BY STEP.

| HARDWARE LIST | | |
|---------------|---|-------|
| A | JCBC M6 x 50mm + S/W M6 + F/W M6 x 13mm | 8PCS |
| B | ALLEN KEY M4 | 1PC |
| C | BARREL NUT M6 x 13mm | 8PCS |
| D | WOOD BUTTON Ø 14.5 | 8PCS |
| E | WOOD DOWEL M10 x 40mm | 18PCS |
| F | L - BRACKET | 4PCS |
| G | CSK SCREW M3.5 x 16mm | 8PCS |

| PART LIST | | |
|-----------|-------------------|-----|
| 1 | LEG FRAME (R) | 1PC |
| 2 | LEG FRAME (L) | 1PC |
| 3 | FRONT RAIL (DOWN) | 1PC |
| 4 | FRONT RAIL (UP) | 1PC |
| 5 | BACK RAIL | 1PC |
| 6 | BACK FRAME | 1PC |
| 7 | SEAT FRAME | 1PC |

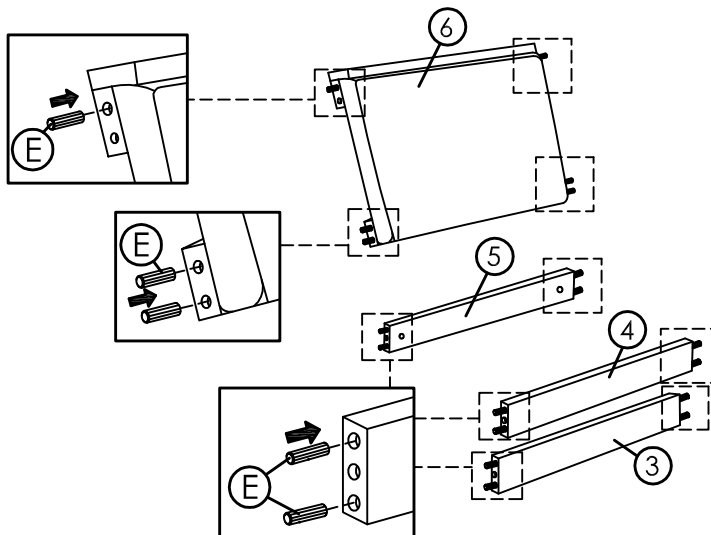


Sofa to be assembled by **2 persons**

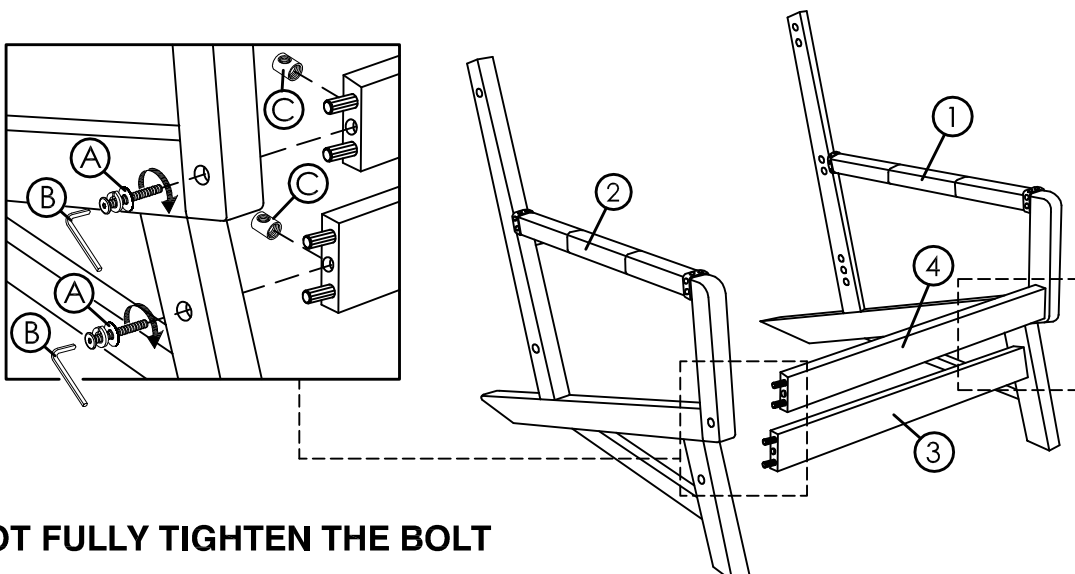


COMPLETED SOFA ASSEMBLY.

STEP 1



STEP 2 (NEED 2 PERSONS)

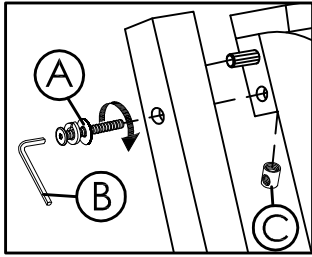


DO NOT FULLY TIGHTEN THE BOLT

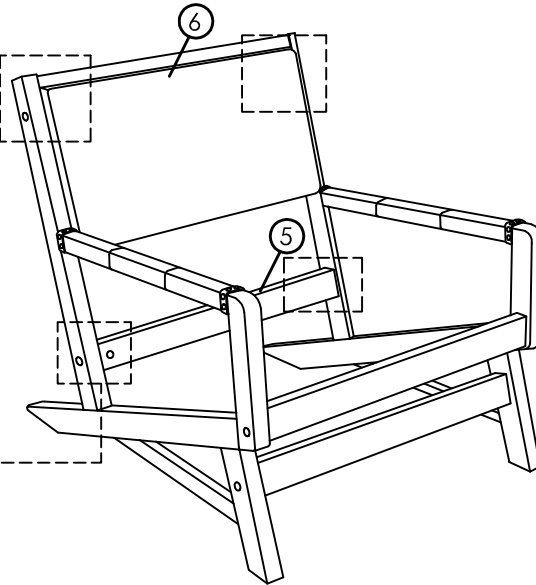
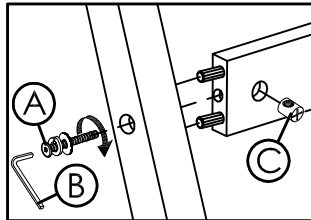
ASSEMBLY INSTRUCTIONS

STEP 3 (NEED 2 PERSONS)

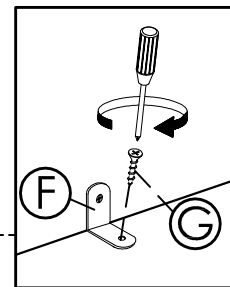
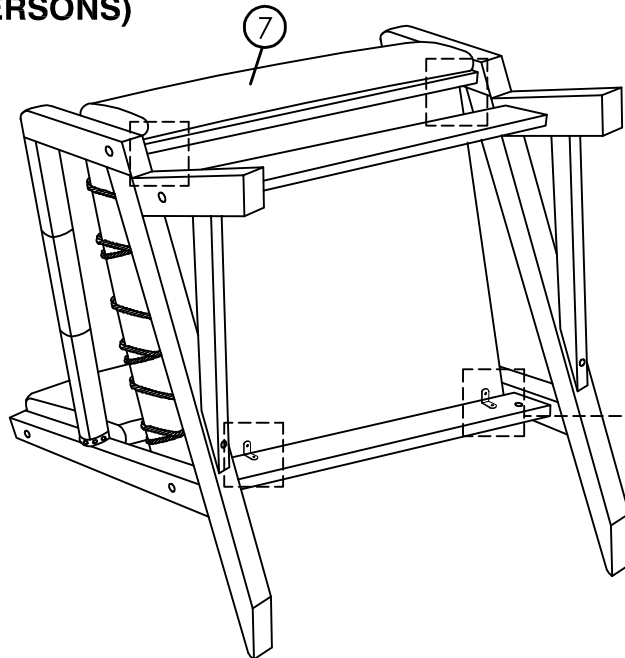
Step 3.a



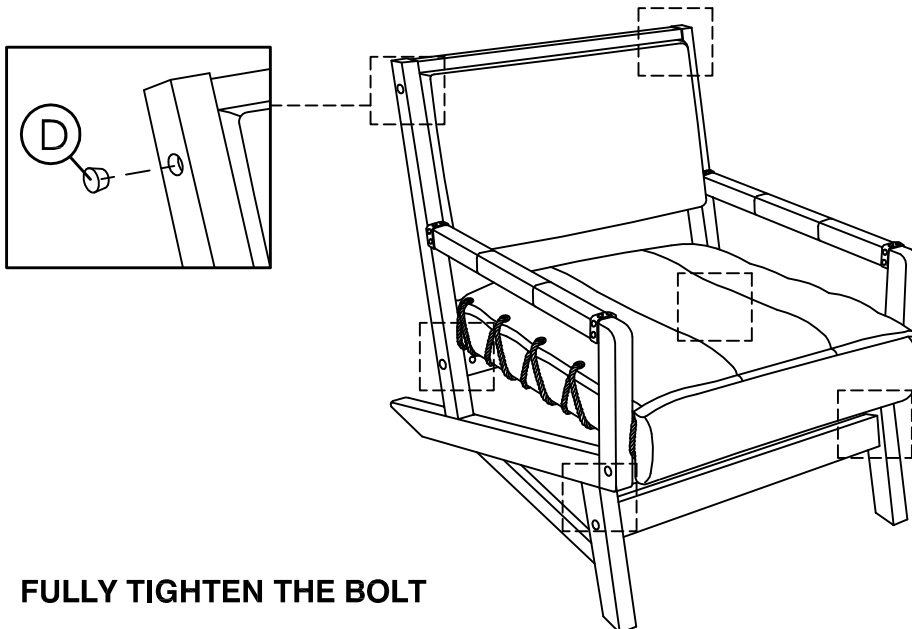
Step 3.b



STEP 4 (NEED 2 PERSONS)



STEP 5



FULLY TIGHTEN THE BOLT