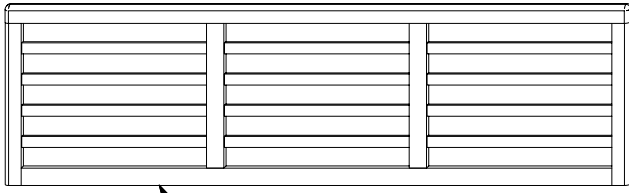


97063 King Headboard

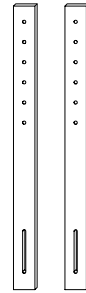
Assembly Instructions

0818

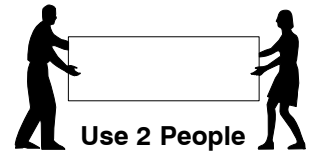
1 Parts List



A Headboard Panel x 1



B Support Bars x 2



2 Hardware List



1 M6 x 35mm JCB x 4



2 Spring Washer x 4



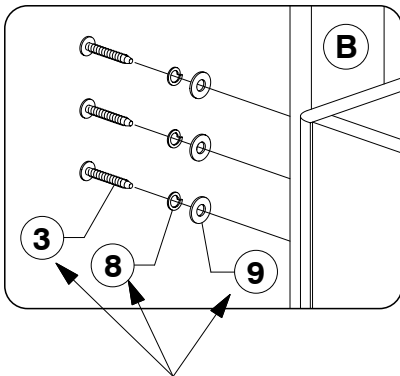
3 Flat Washer x 4



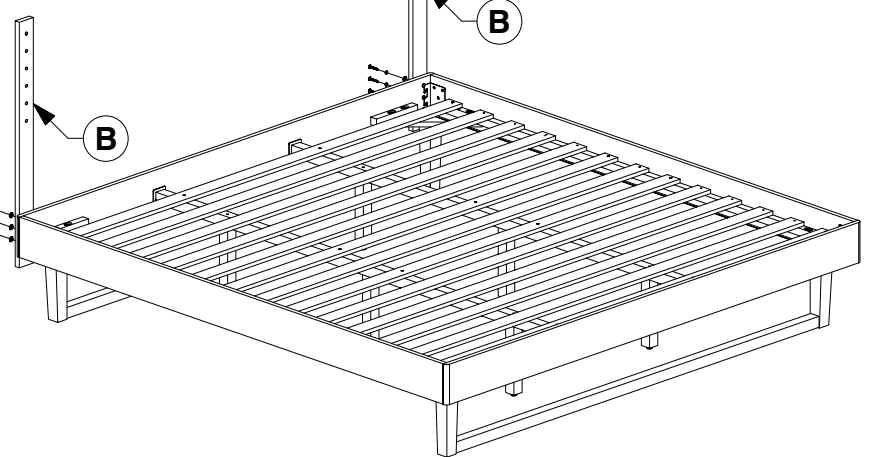
4 Allen Key x 1

Note: Do not assemble using power tools. This can cause the bolts to be overtightened

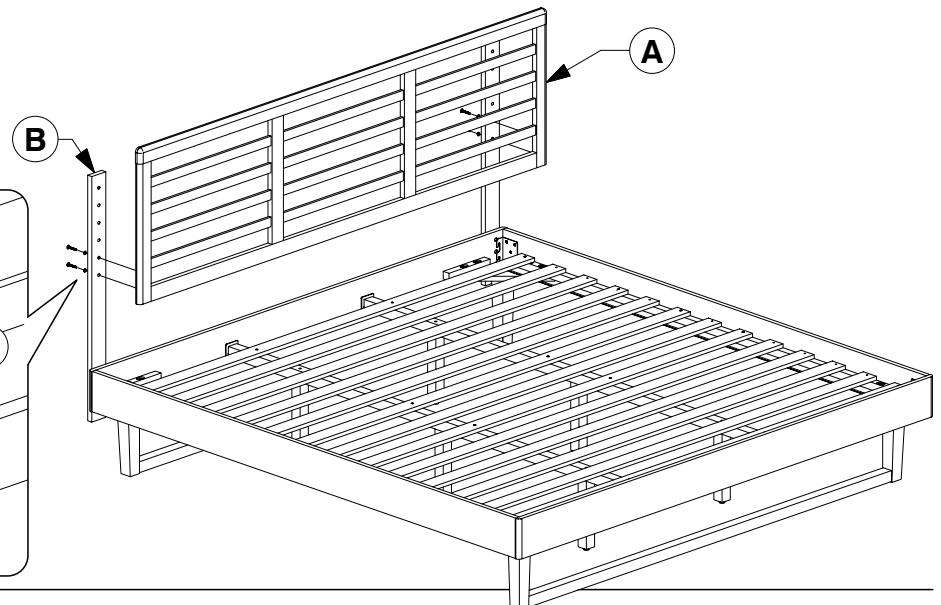
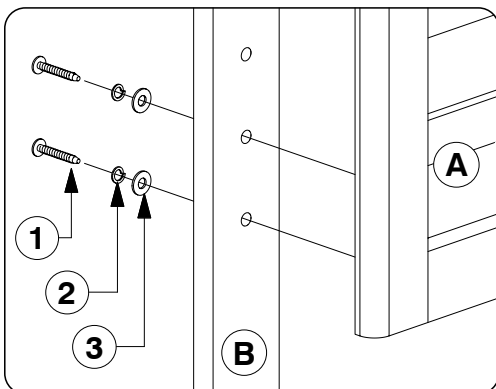
3 Assemble the Support Bars (B) to the Headboard Panel.



Note: Bolts & Washers from Footboard, Rails & Slats Box.



4 Assemble the Headboard Panel (A) to the Support Bars (B).

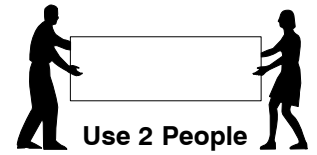


King Bed

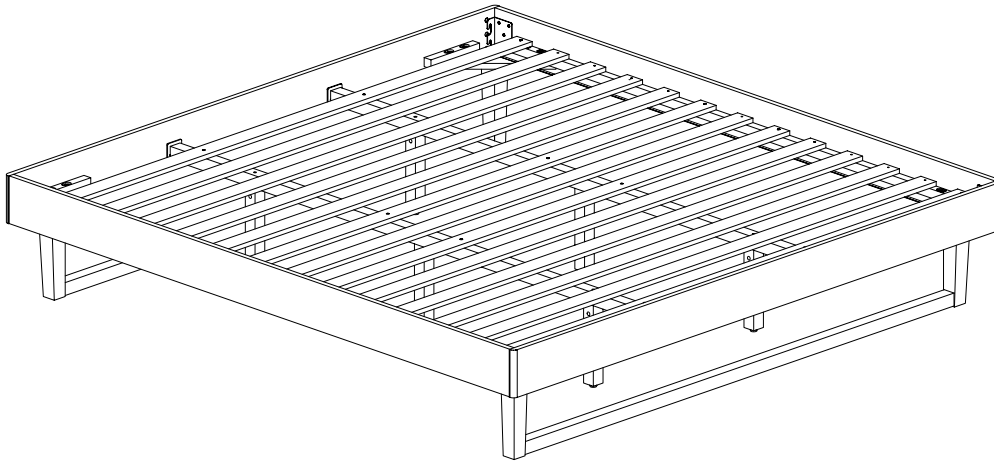
Assembly Instructions

0818

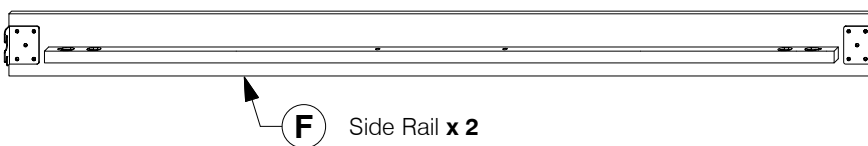
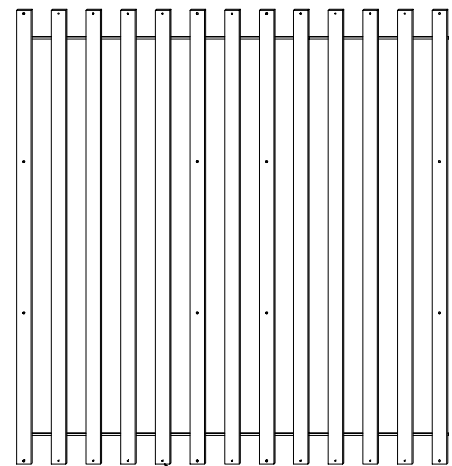
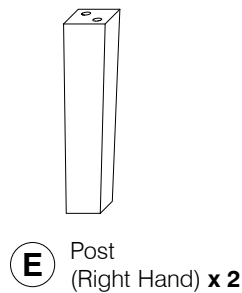
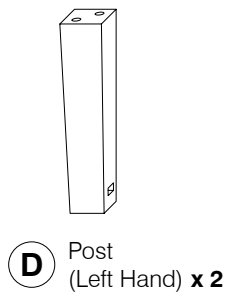
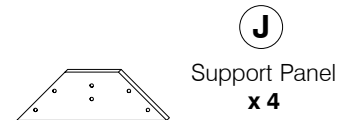
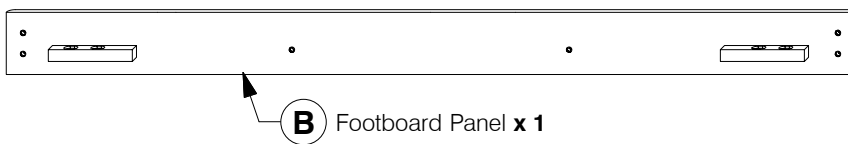
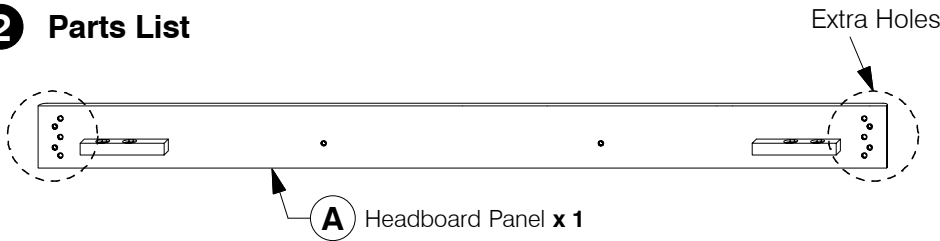
1 Assembled View



Note: Do not assemble using power tools. This can cause the bolts to be overtightened



2 Parts List

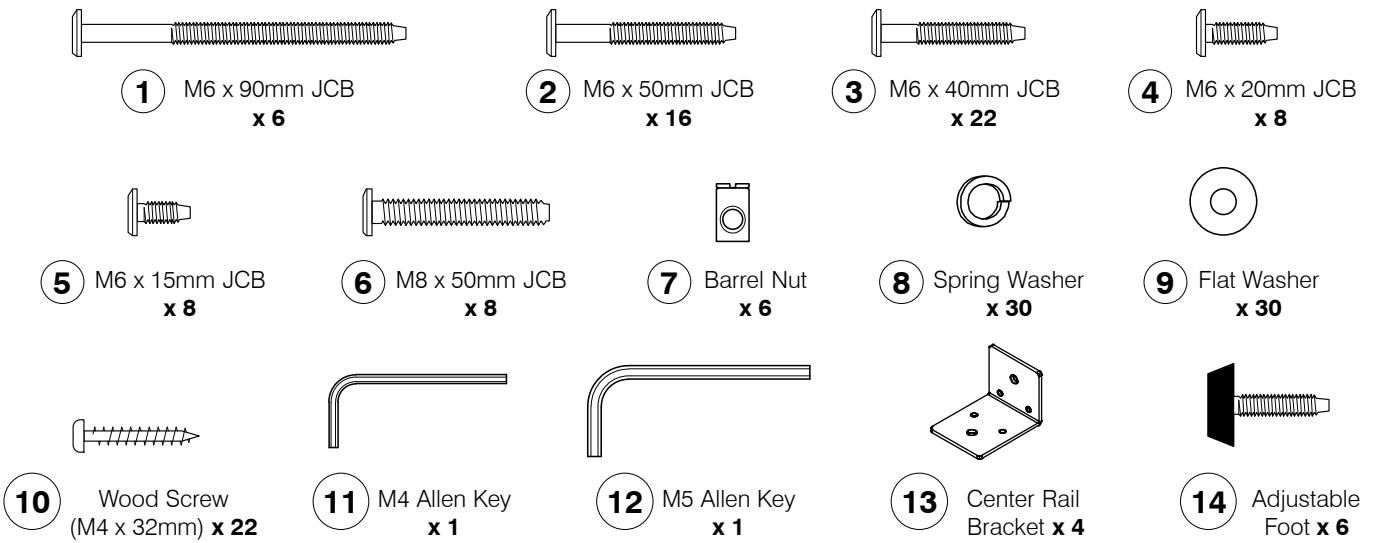


King Bed

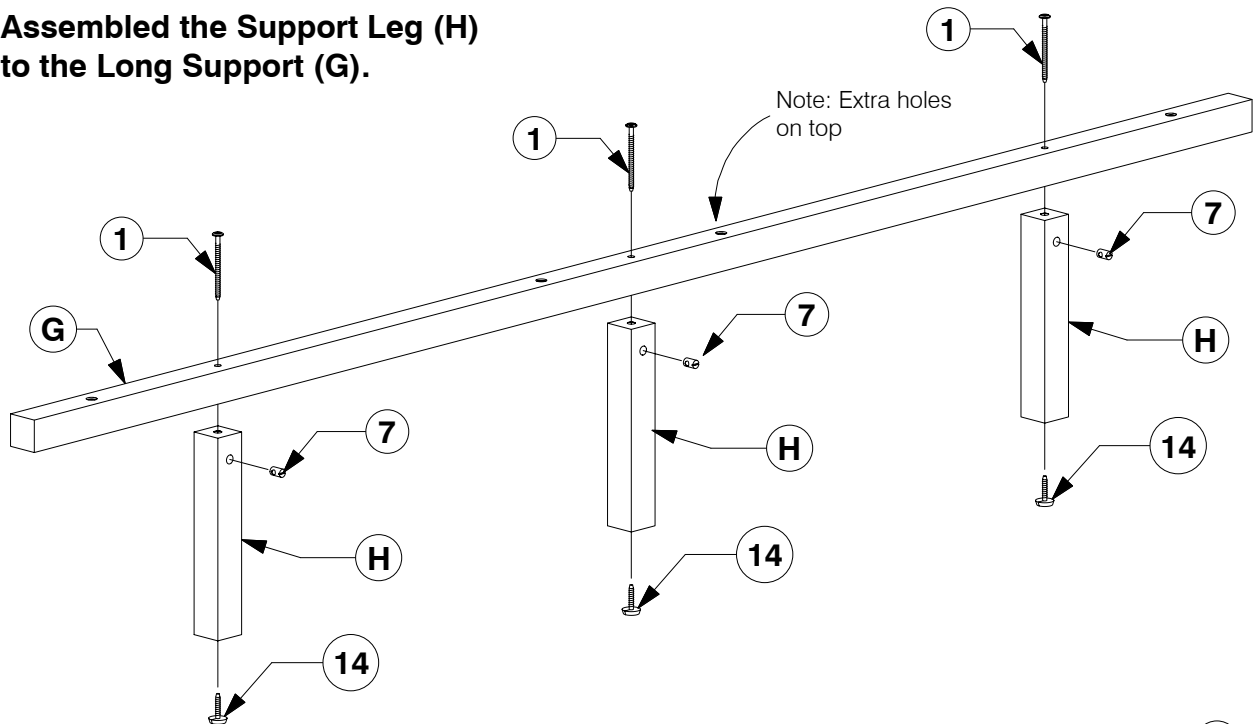
Assembly Instructions

0818

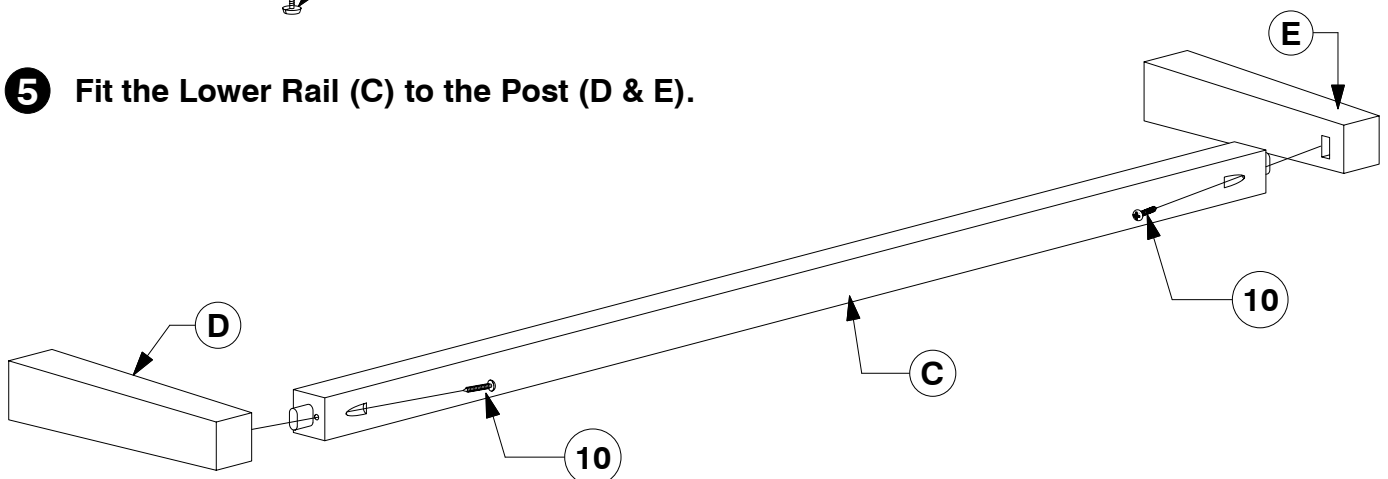
2 Hardware List



4 Assembled the Support Leg (H) to the Long Support (G).



5 Fit the Lower Rail (C) to the Post (D & E).

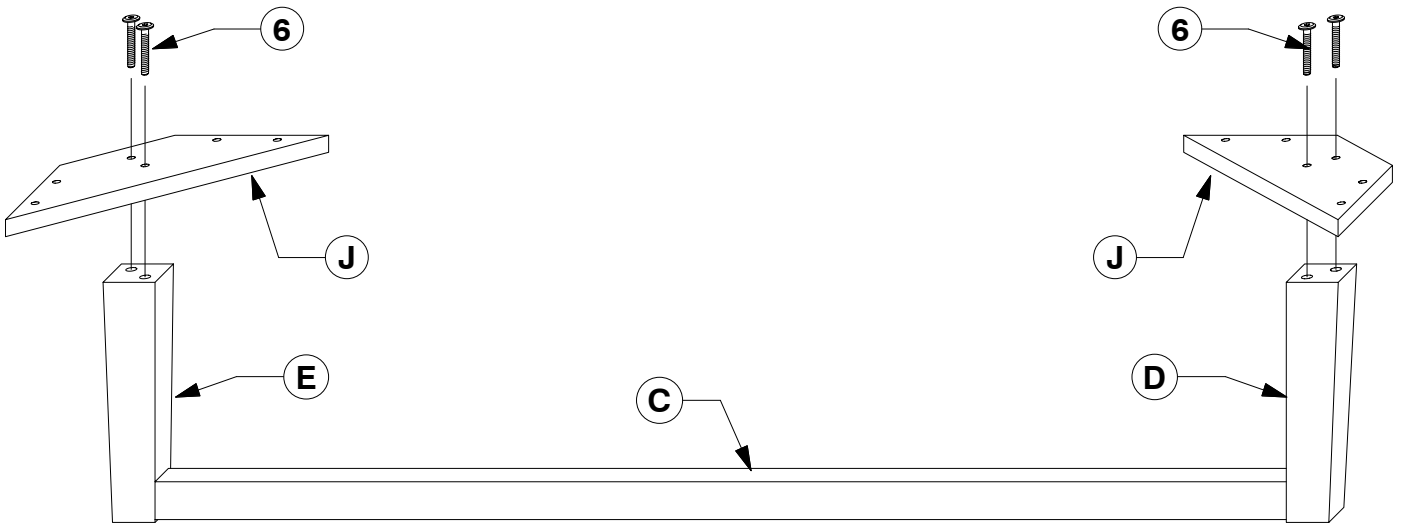


King Bed

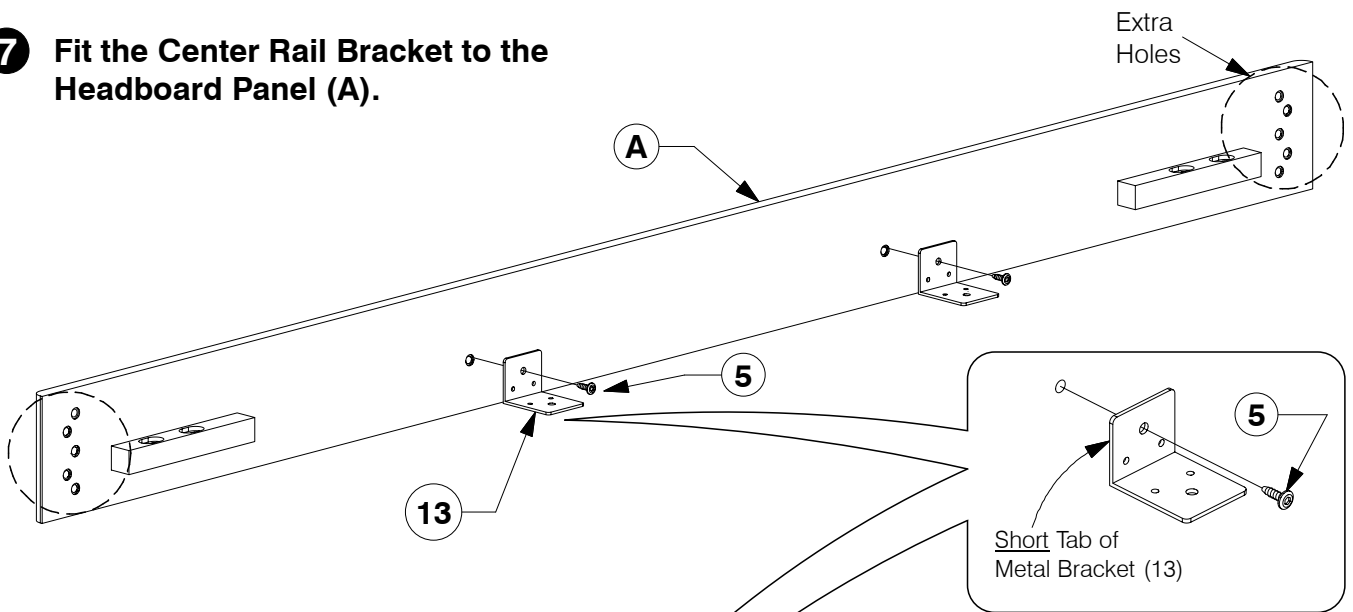
Assembly Instructions

0818

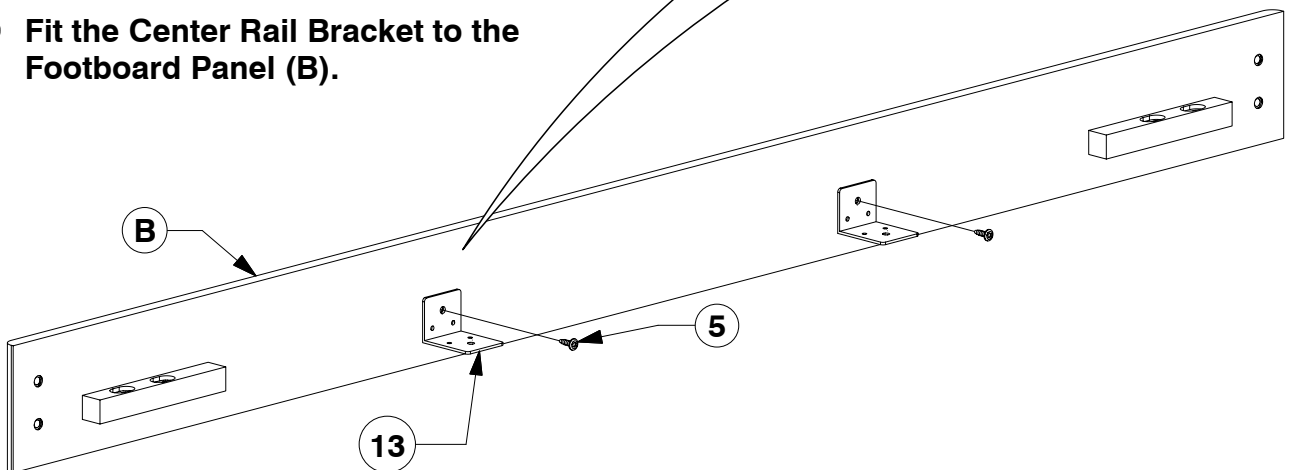
- 6** Assemble the assembled Post (D & E) & Lower Rail (C) to the Support Panel (J).



- 7** Fit the Center Rail Bracket to the Headboard Panel (A).



- 8** Fit the Center Rail Bracket to the Footboard Panel (B).

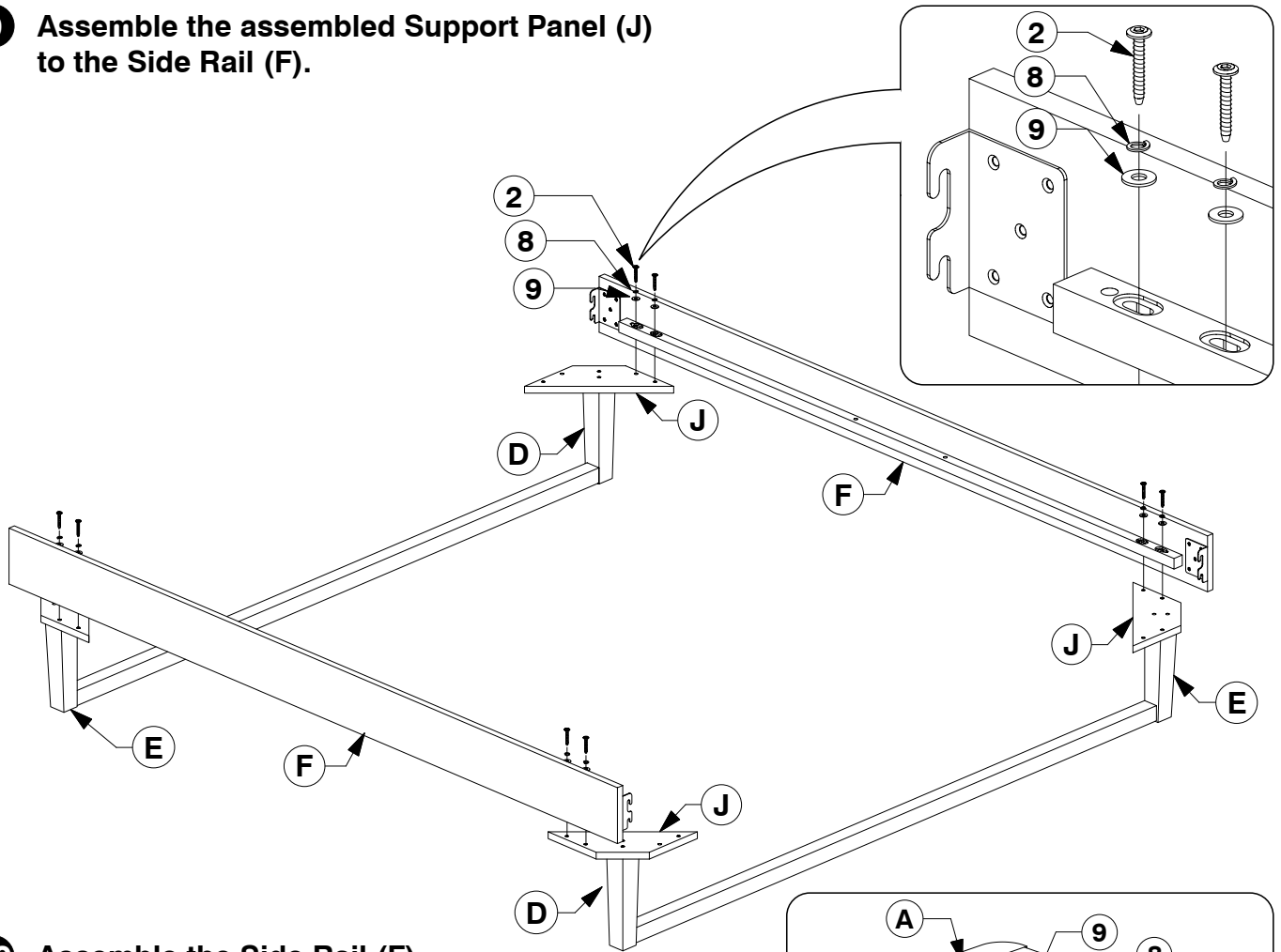


King Bed

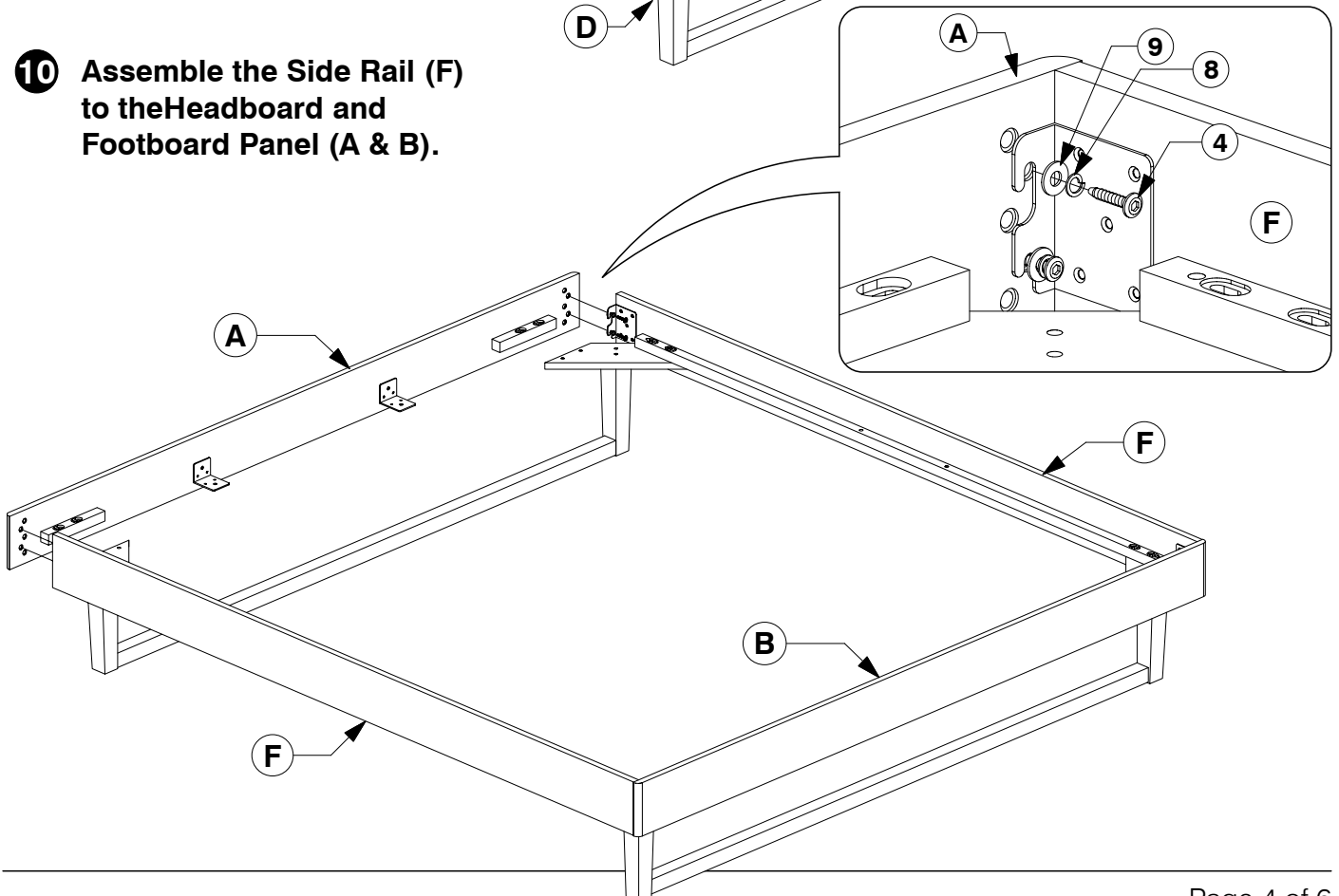
Assembly Instructions

0818

- 9** Assemble the assembled Support Panel (J) to the Side Rail (F).



- 10** Assemble the Side Rail (F) to the Headboard and Footboard Panel (A & B).

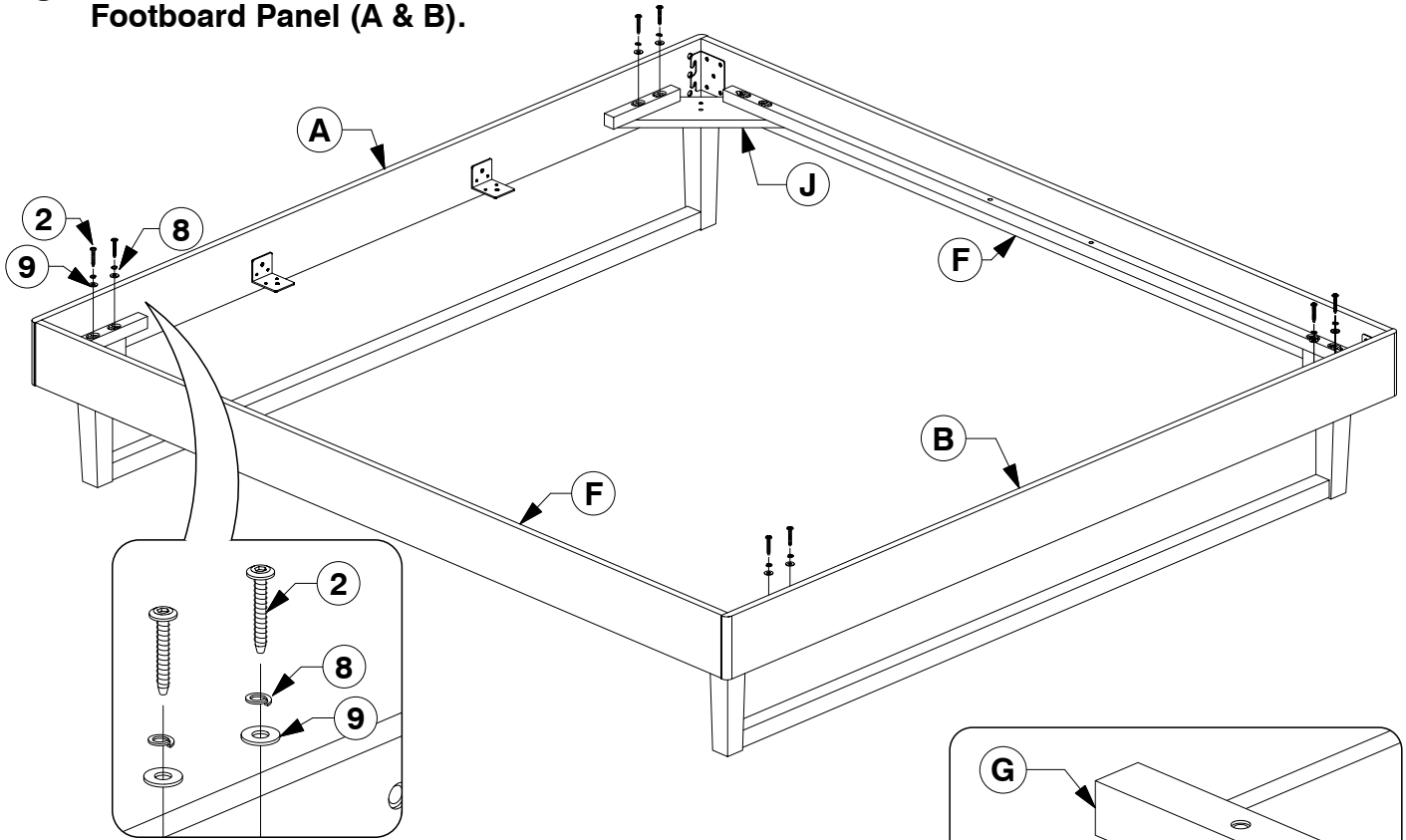


King Bed

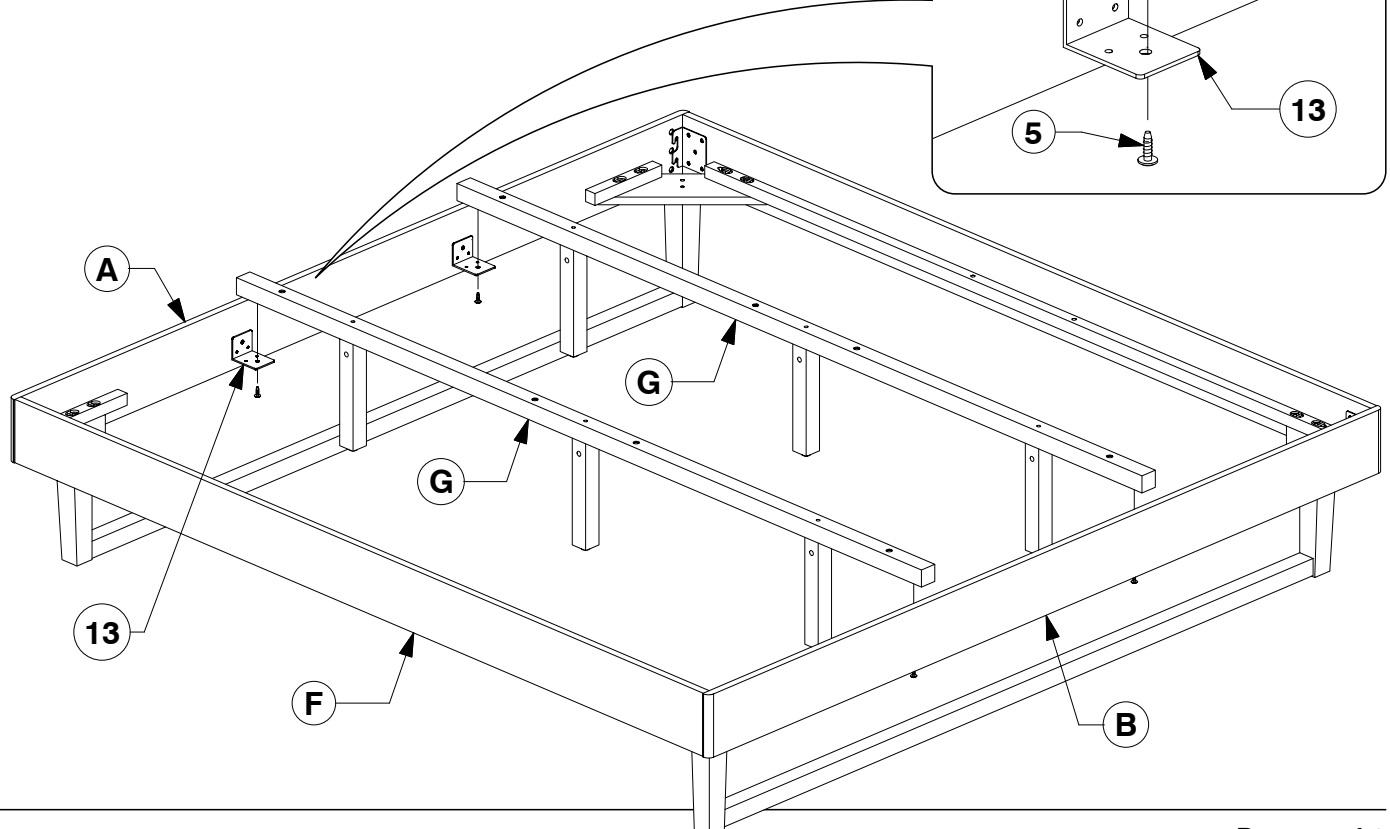
Assembly Instructions

0818

- 11** Bolt the Support Panel (J) to the Headboard and Footboard Panel (A & B).



- 12** Bolt the Long Support (G) to the Center Rail Brackets (13) on the Headboard and Footboard Panel (A & B).

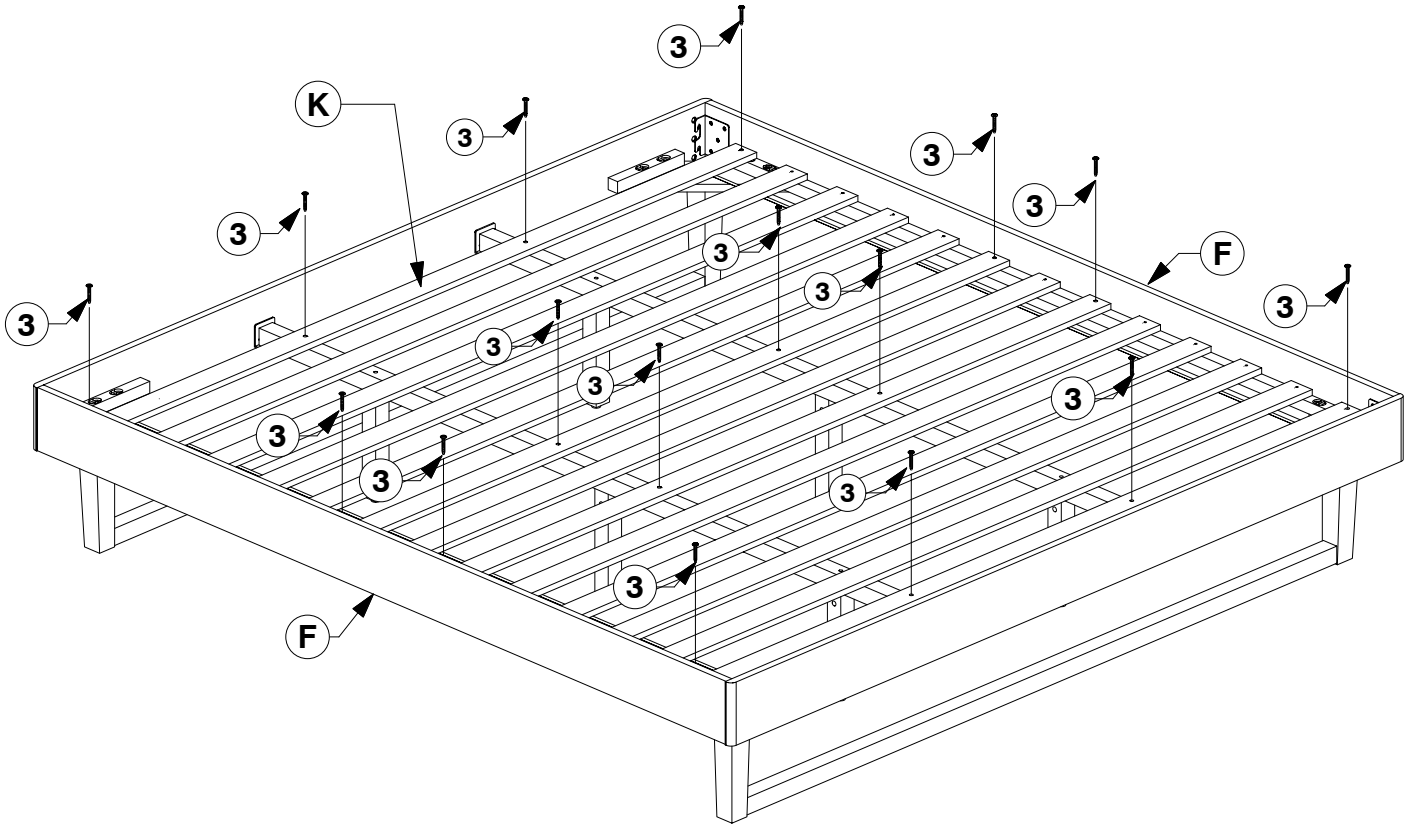


King Bed

Assembly Instructions

0818

13 Bolt the Bed Slats (K) to the Side Rail (F).



14 Screw the Bed Slats (K) to the Side Rail (F).

