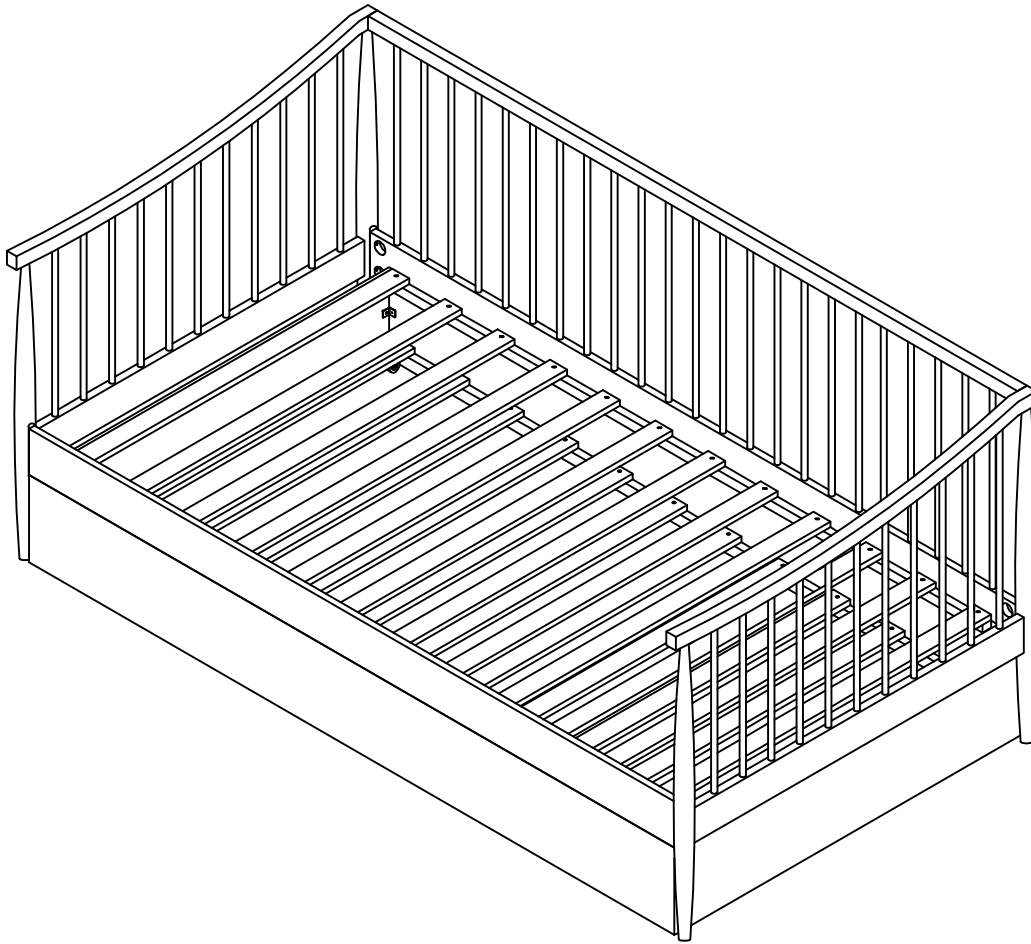


DAYBED



ASSEMBLY TIPS

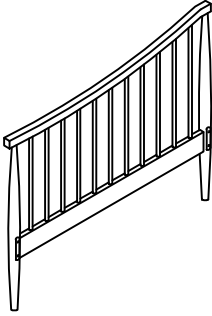
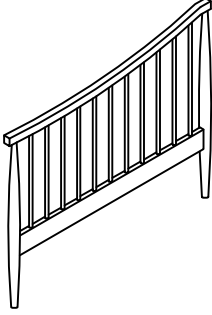
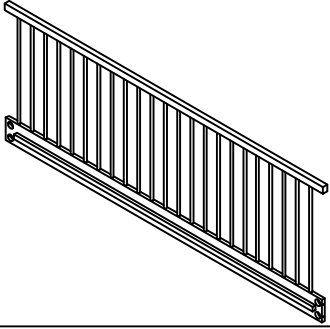
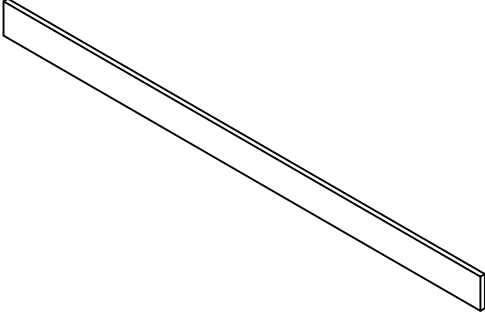
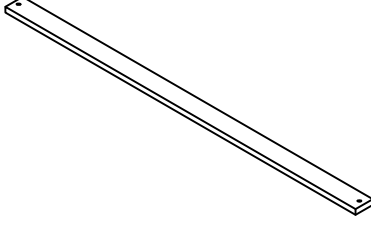
1. Remove hardware from box and sort by size.
2. Please ensure that all hardware and parts are presented prior start of assembly.
3. Please follow attached instruction in the same sequence as numbered to assure fast and easy assembly.

⚠ WARNING!

1. Don't attempt to repair or modify part that are broken or defective. Please contact with the store immediately.
2. This product is for home use only and not intended for commercial establishment.

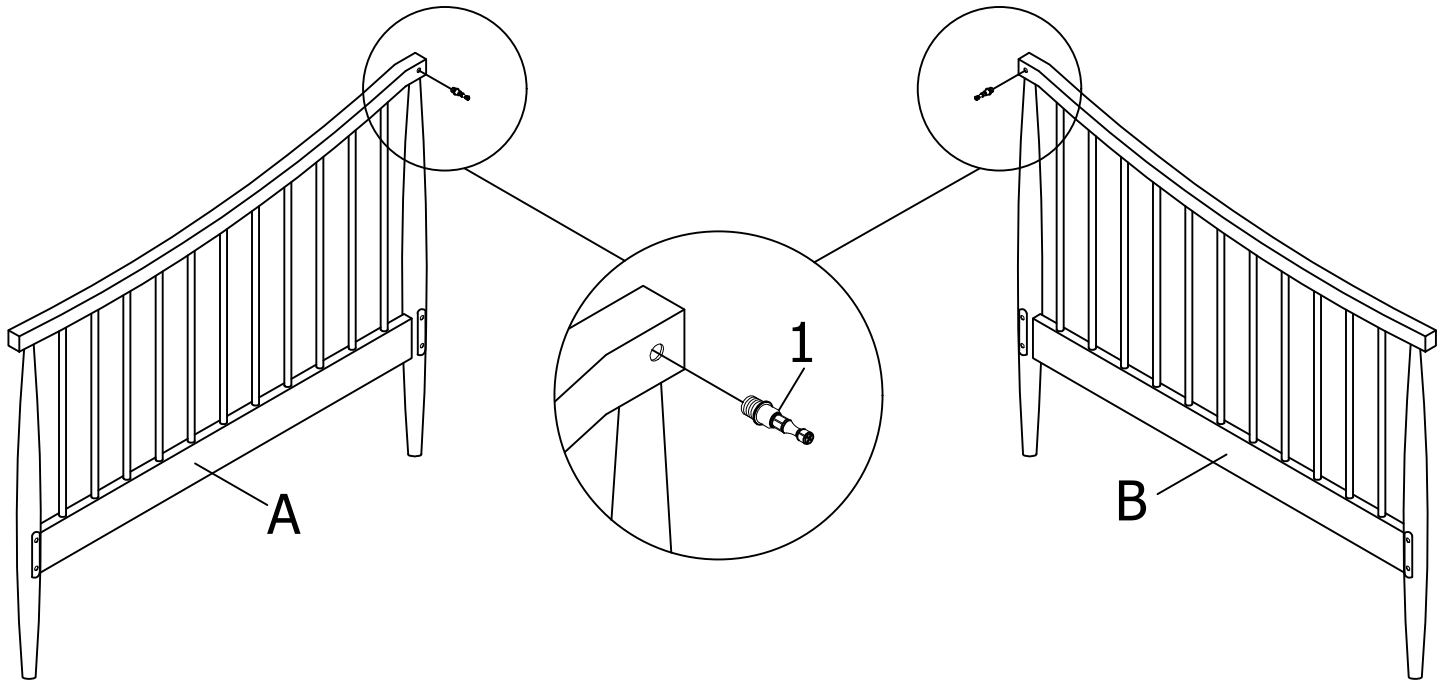
NO	HARDWARE LIST	QTY	NO	HARDWARE LIST	QTY
1	MINI FIX 	2	5	HEX NUT 	8
2	HOUSING 	2	6	SPANNER 	1
3	FULL THREAD STUD 	8	7	CSK M4 x 25 mm 	24
4	PLASTIC WASHER 	8			

DAYBED

NO	PART LIST	QTY
A	<div style="display: flex; justify-content: space-between; align-items: center;"> <div style="width: 60%;">HEADBOARD PANEL</div> <div style="width: 30%; text-align: center;">  </div> </div>	1
B	<div style="display: flex; justify-content: space-between; align-items: center;"> <div style="width: 60%;">FOOTBOARD PANEL</div> <div style="width: 30%; text-align: center;">  </div> </div>	1
C	<div style="display: flex; justify-content: space-between; align-items: center;"> <div style="width: 60%;">BACK PANEL</div> <div style="width: 30%; text-align: center;">  </div> </div>	1
D	<div style="display: flex; justify-content: space-between; align-items: center;"> <div style="width: 60%;">SIDE RAIL (Right)</div> <div style="width: 30%; text-align: center;">  </div> </div>	1
E	<div style="display: flex; justify-content: space-between; align-items: center;"> <div style="width: 60%;">BED SLAT</div> <div style="width: 30%; text-align: center;">  </div> </div>	12

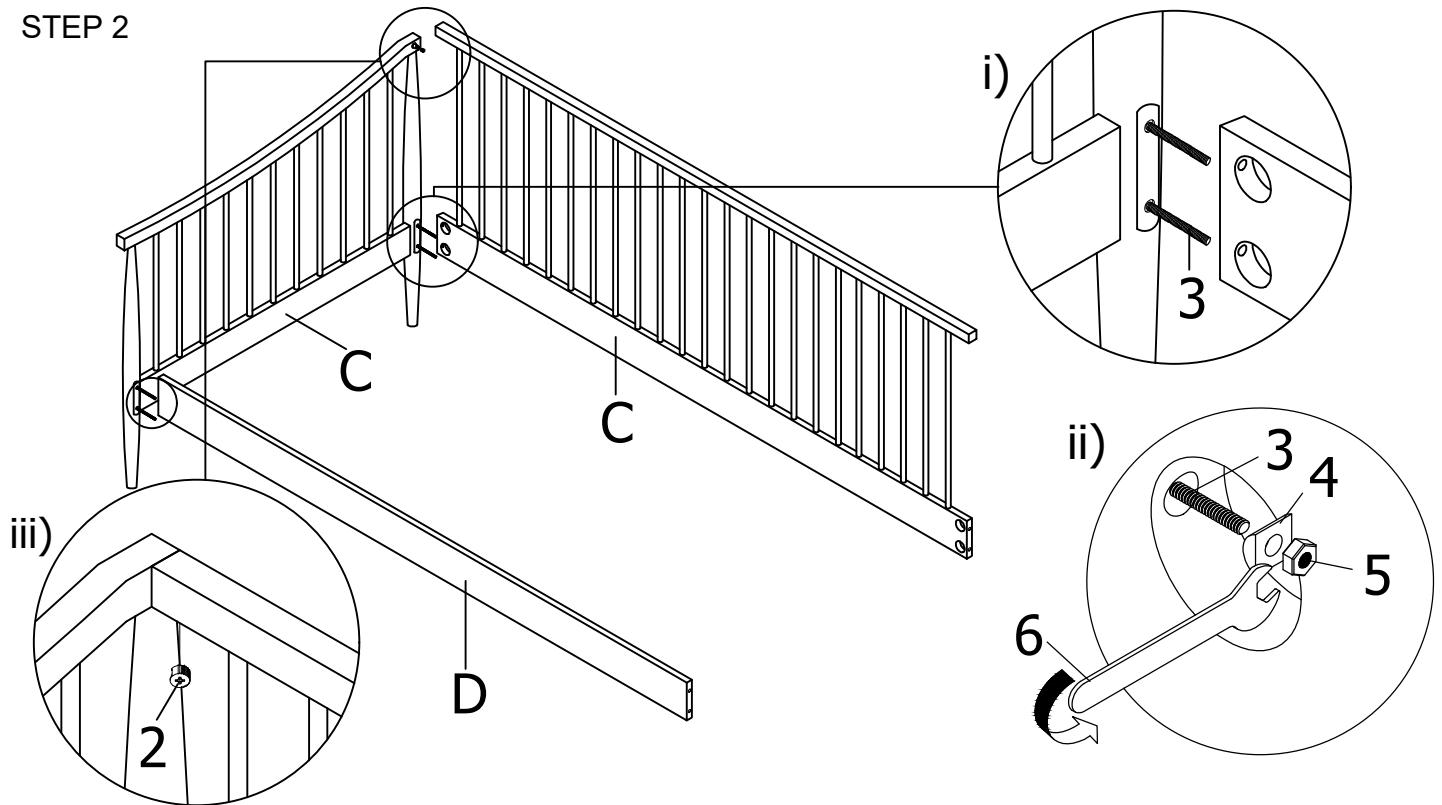
ASSEMBLY INSTRUCTION

STEP 1



- Insert the Mini fix (1) into the Headboard (A) and Footboard (B).

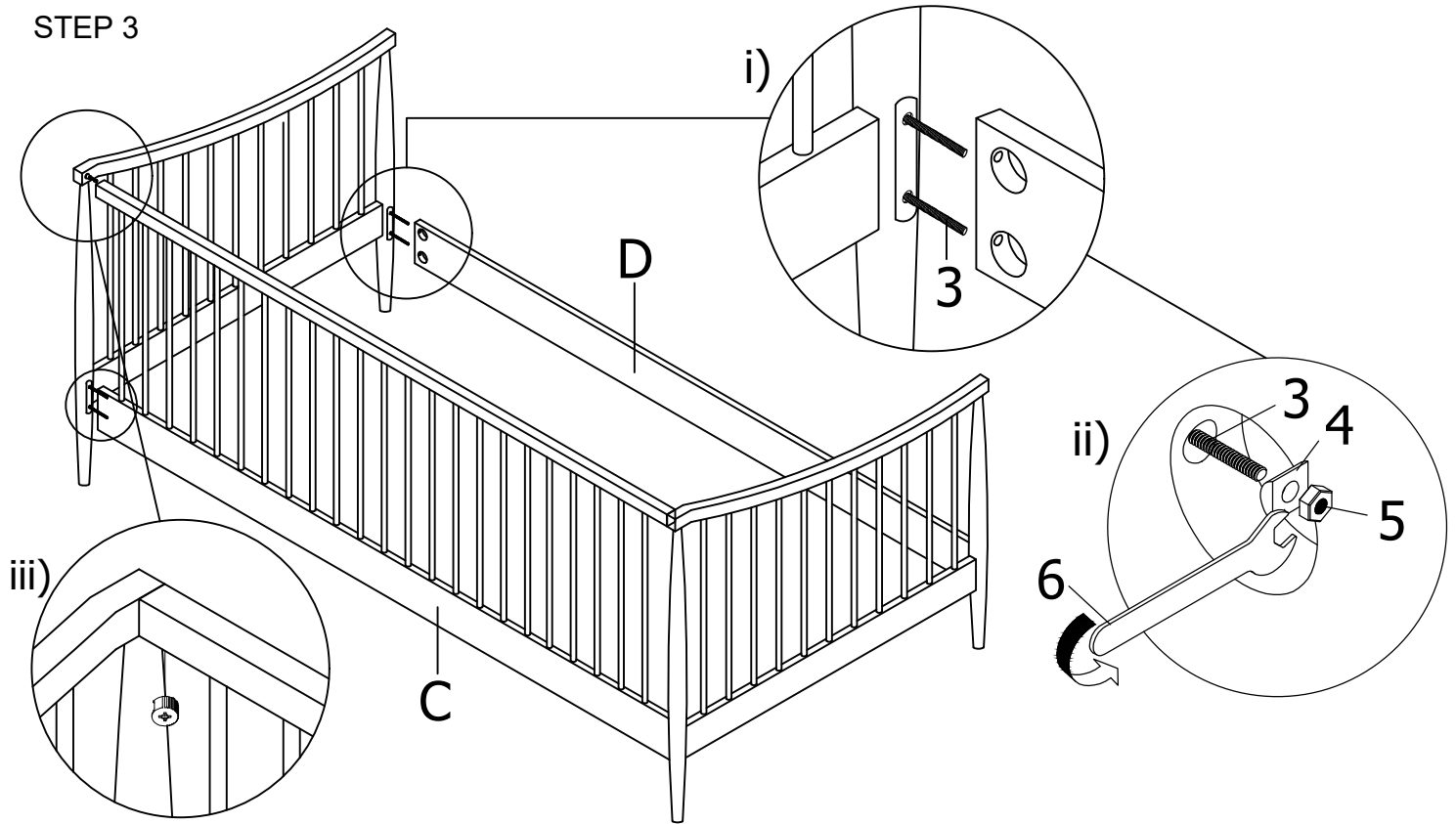
STEP 2



- Attach the Back panel (C) and side rail (D) to Headboard (A) by inserting Full Thread Stud M6 X 70mm (3) into the holes and tightening with Plastic washer(4) and Hex nut M6(5).
- Insert the housing (2) into hole under the Back Panel (C) then tightening securely.

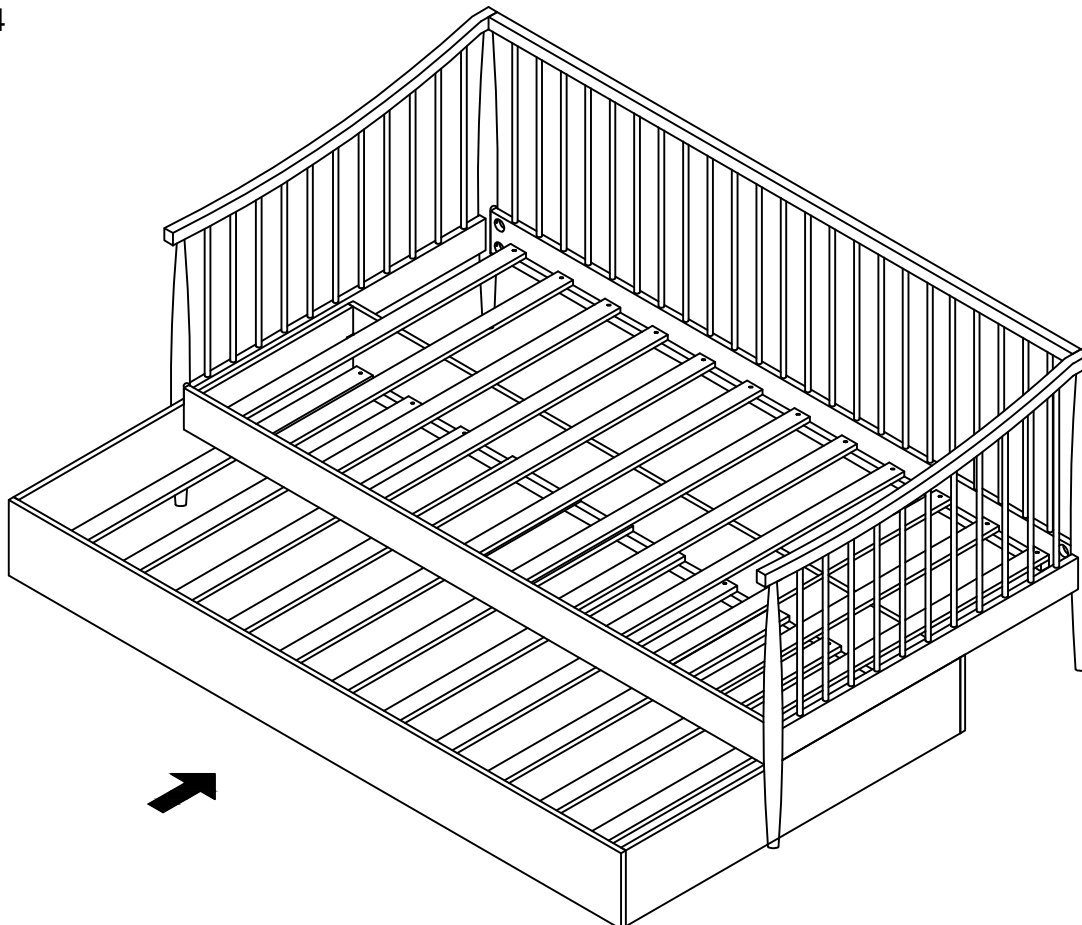
ASSEMBLY INSTRUCTION

STEP 3



- Attach the Back panel (C) and side rail (D) to Footboard (B) by inserting Full Thread Stud M6 X 70mm (3) into the holes and tightening with Plastic washer (4) and Hex nut M6 (5).
- Insert the housing (2) into hole under the Back Panel (C) then tightening securely.

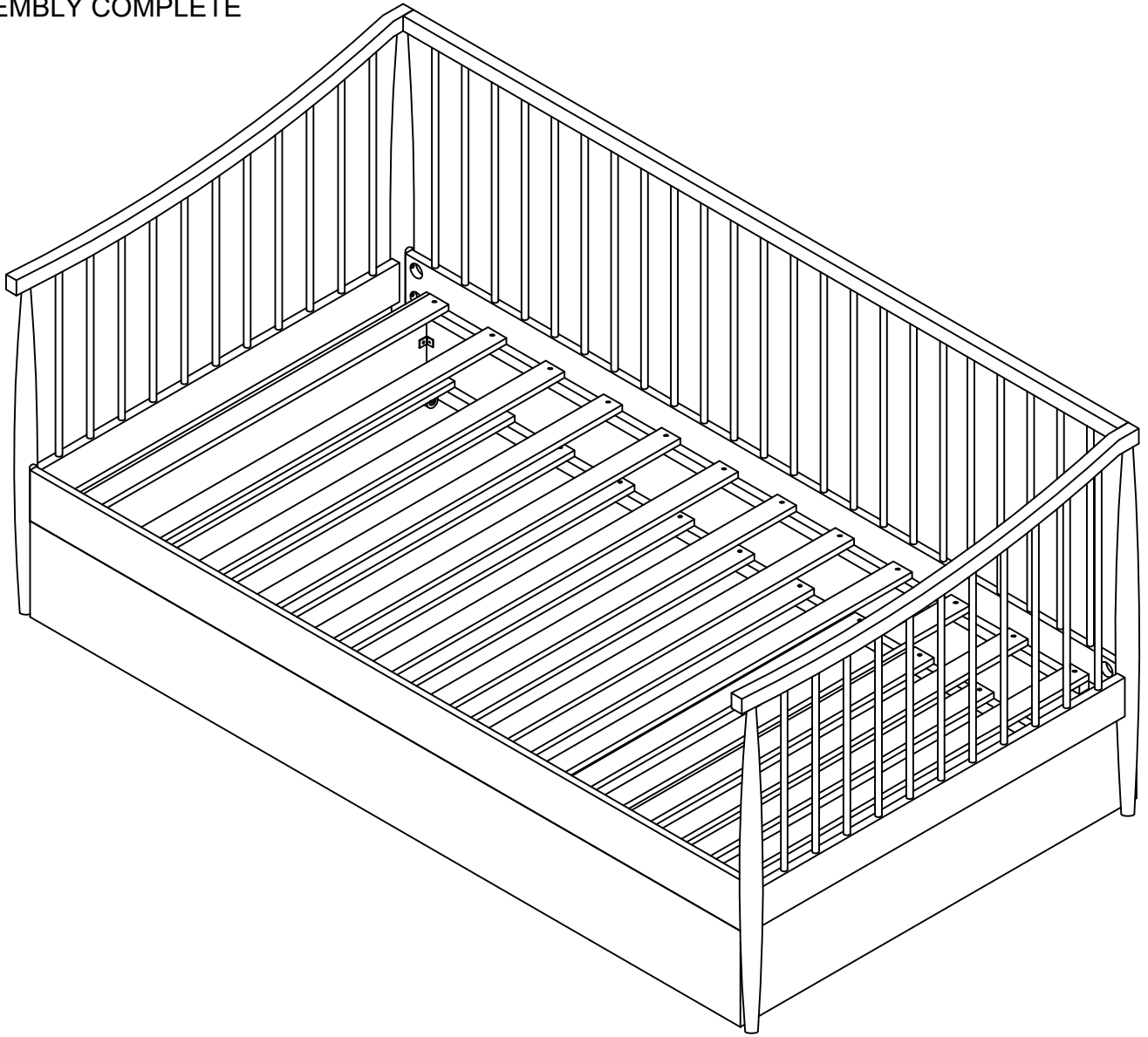
STEP 4



- Insert the Renata Trundle under the bed carefully.
- **REMARK:** Please refer to Assembly Instruction for the Trundle Bed assemble.

ASSEMBLY INSTRUCTION

ASSEMBLY COMPLETE



- Ensure all the screw and fixing are secured periodically.