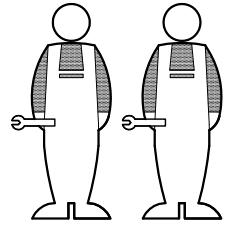
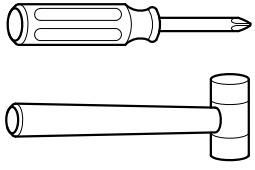


# ASSEMBLY INSTRUCTIONS

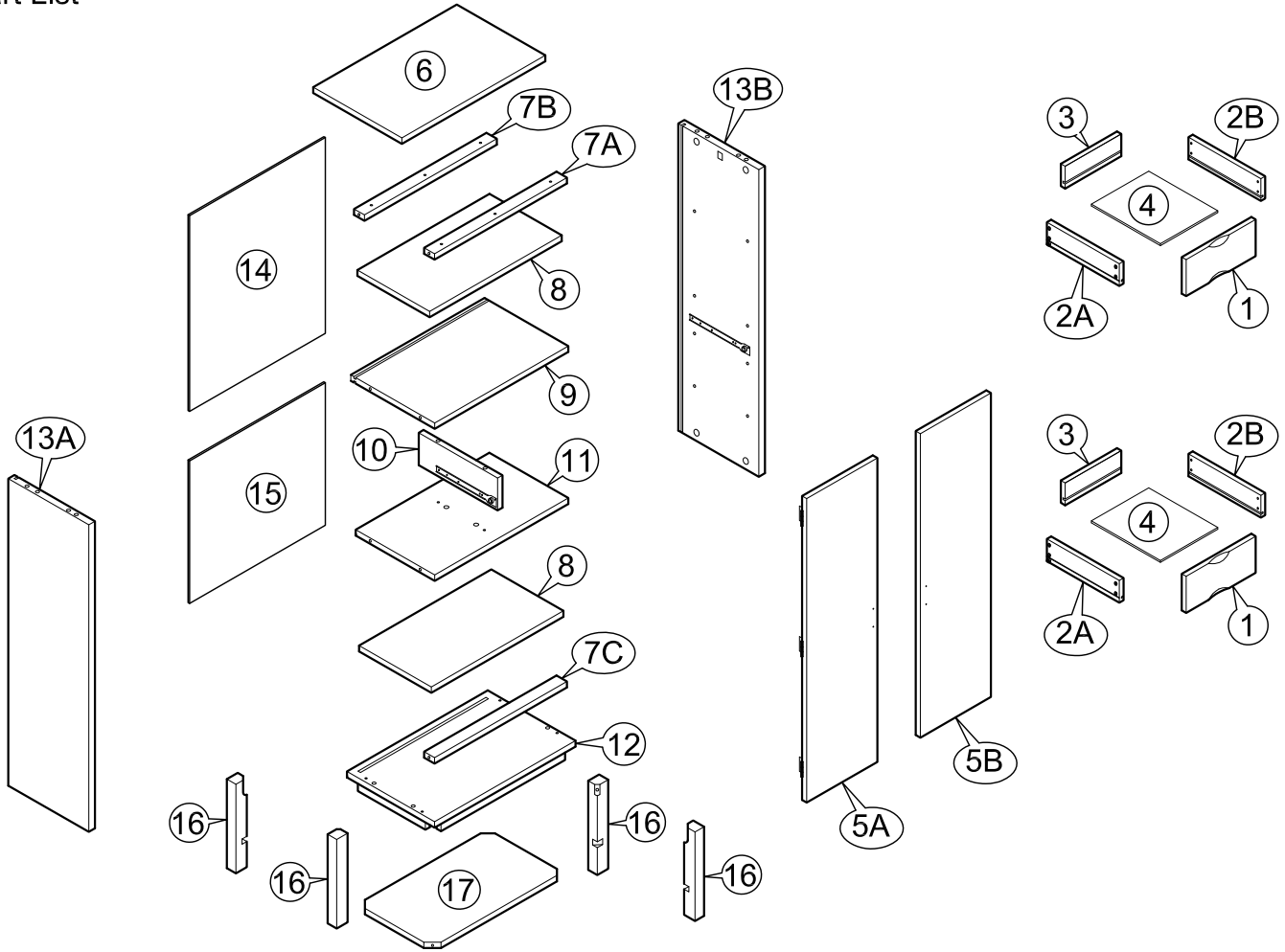
## ITEM : MARYA WINE TOWER




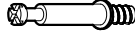


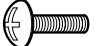


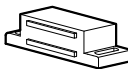

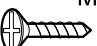



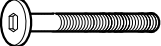
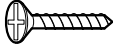



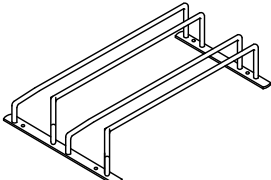


Not Provided

2 Persons

### Part List

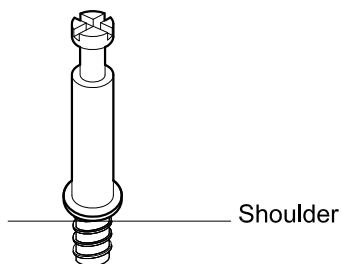


### Hardware List

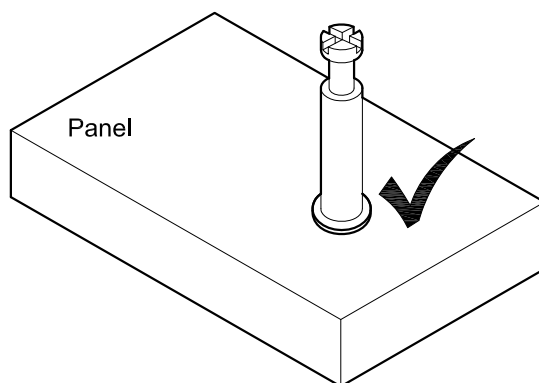
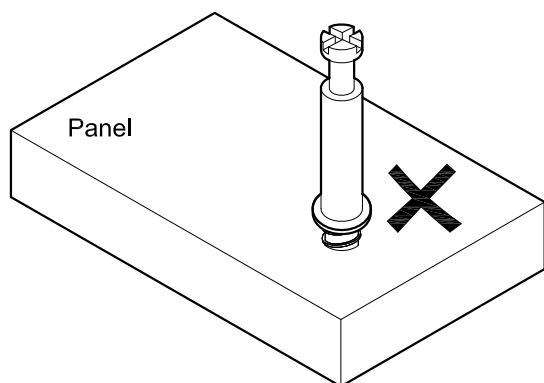
A  = 2	G  34mm = 24	M  M3 x12mm(Black) = 18	R  M8 x30mm = 10
B  20mm = 4	H  = 8	N  M3 x16mm(Black) = 6	S  = 2
C  = 1	I  M3 x 20mm = 8	O  M3.5 x12mm = 12	T  = 2
D  = 8	J  M6 x 60mm = 4	P  M4 x 30mm = 6	U  = 1
E  #8x 1 1/4" = 22	K  1/4" = 4	Q  = 3	
F  12mm = 24	L  1/4" = 4		

# SPECIAL TIPS FOR FITTING CAM-LOCKS AND QUICKFIT

## QUICKFIT



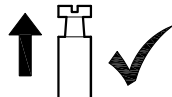
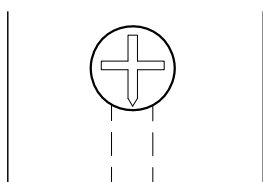
Tighten Until Shoulder is flush with panel. Do not overtighten or undertighten (see example below).



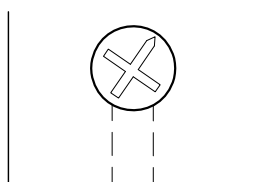
## CAM-LOCK



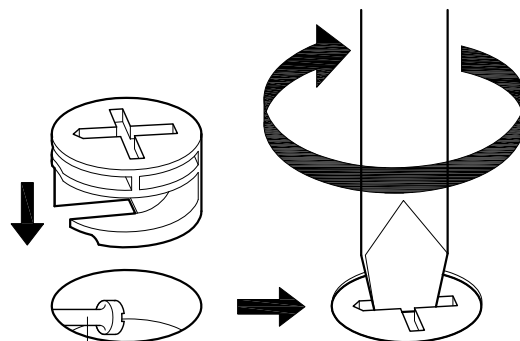
WHEN FITTING CAM-LOCK  
ENSURE STARTING POSITION IS CORRECT  
BEFORE YOU INSERT CONNECTING QUICKFIT  
TURN CLOCKWISE UNTIL SECURE



CORRECT

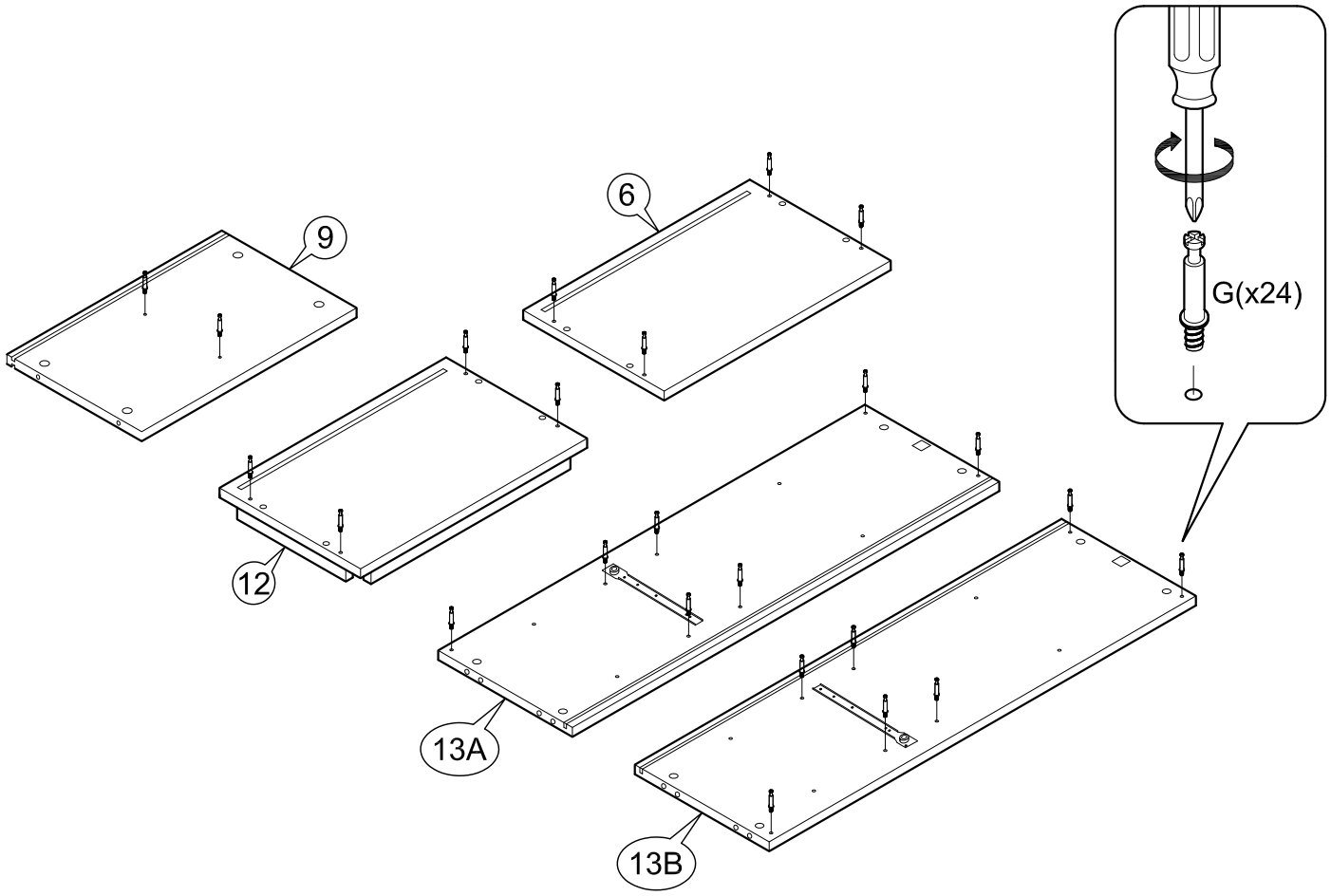


WRONG

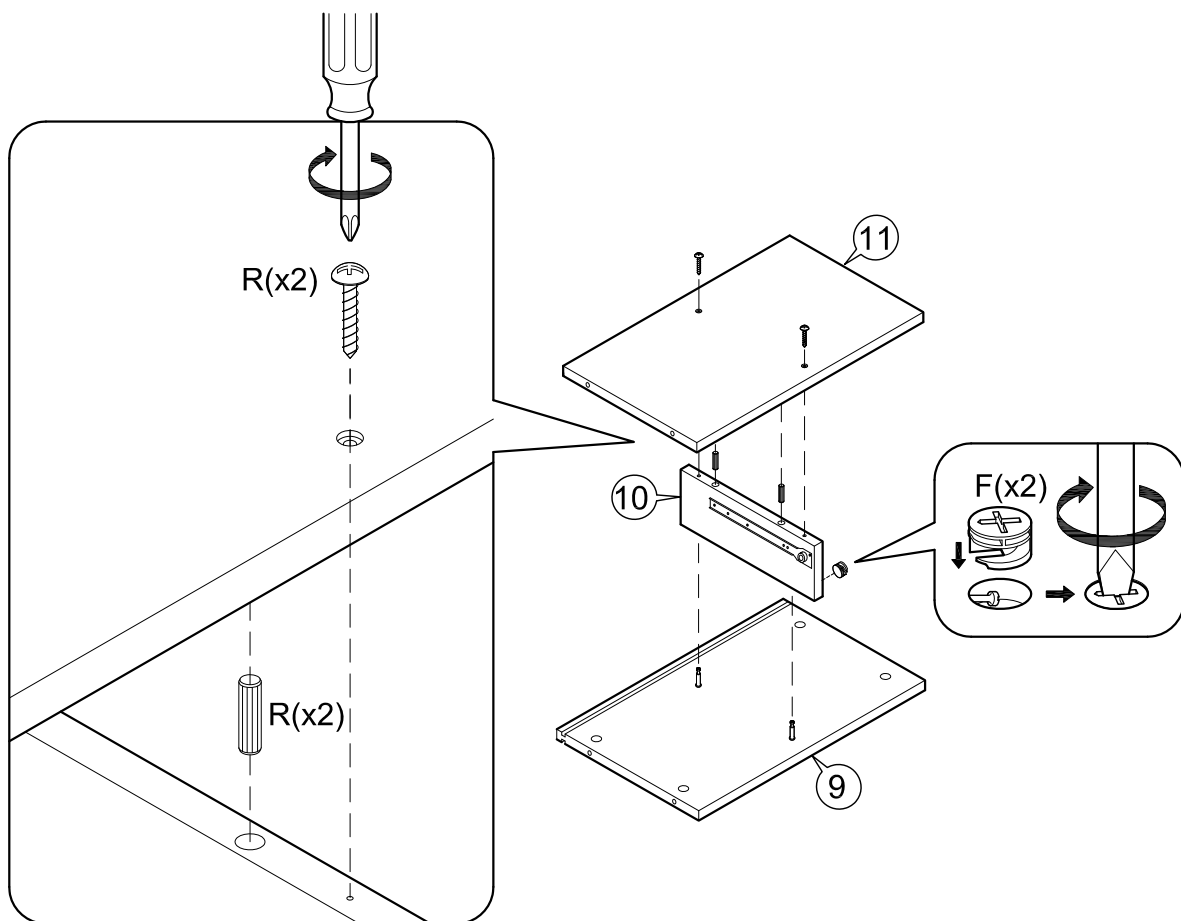


Quickfit head needs to be in centre

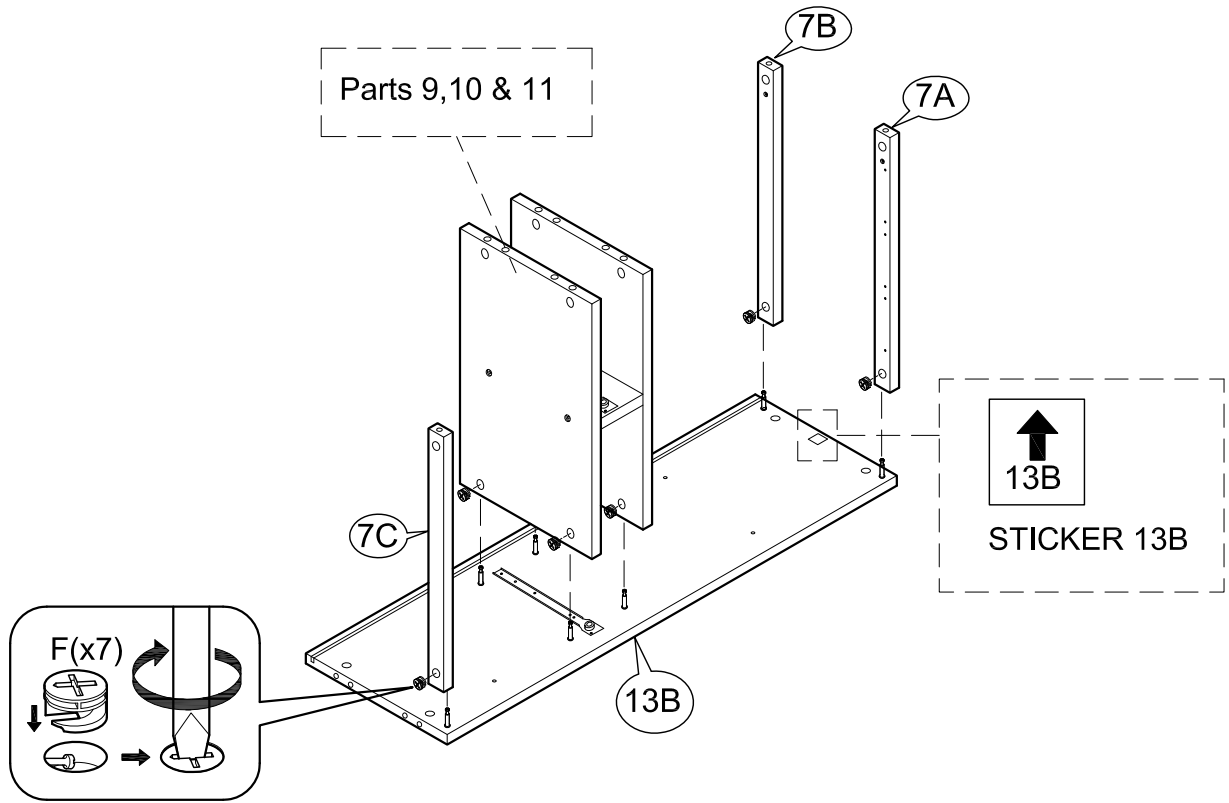
1



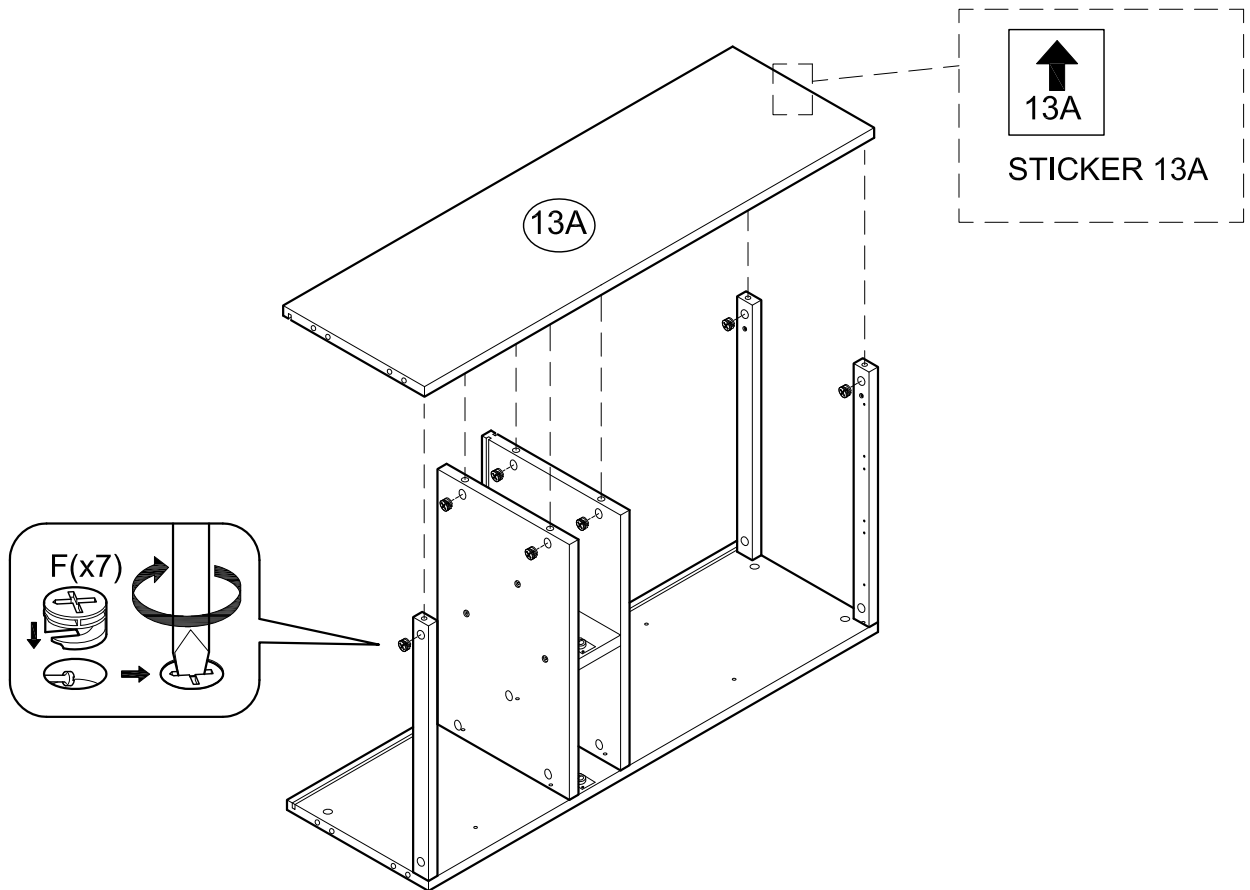
2



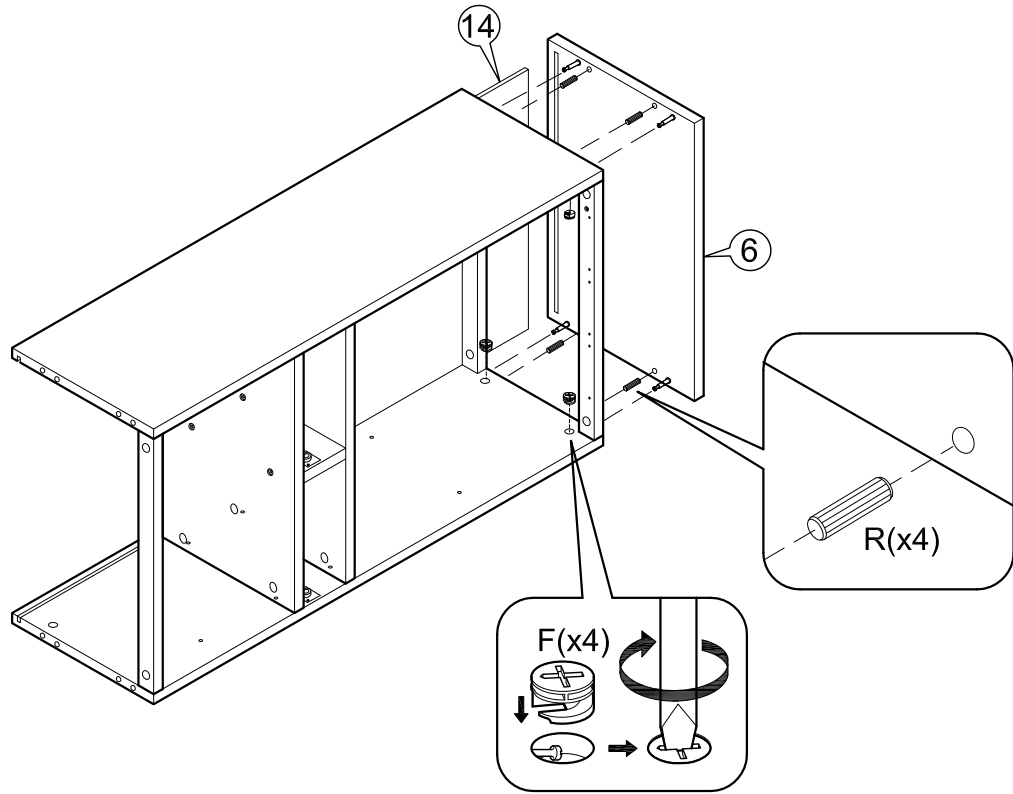
3



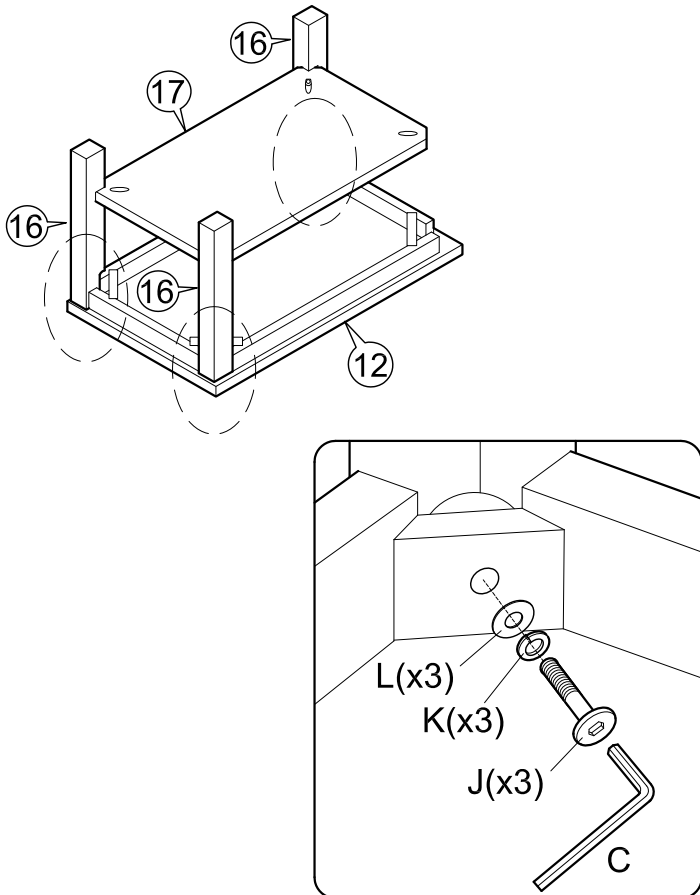
4



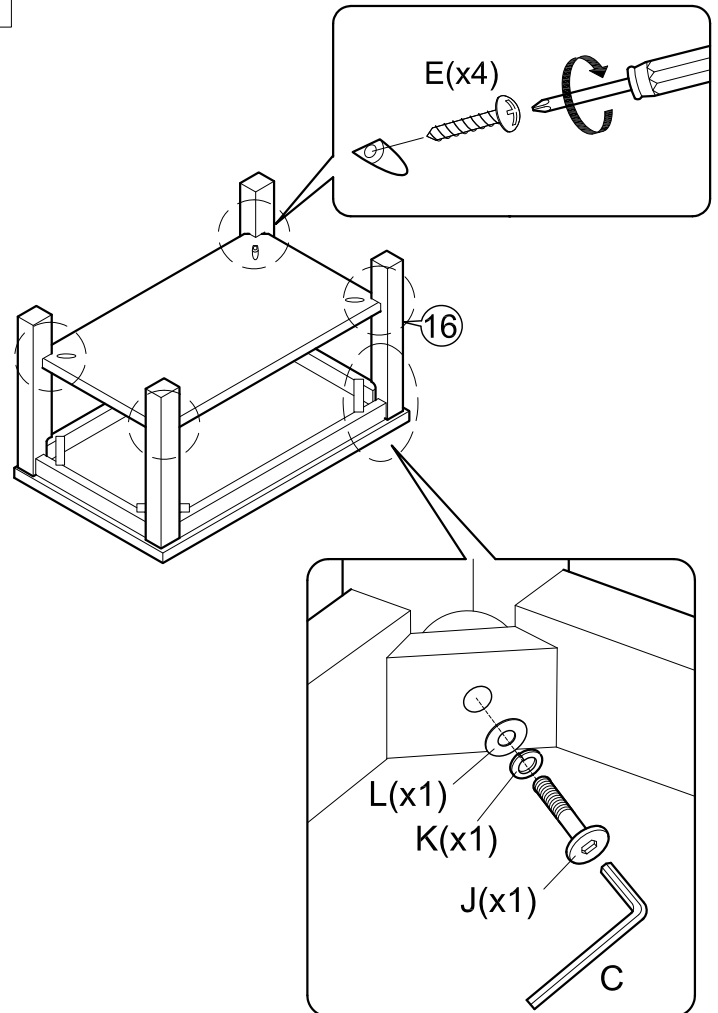
5



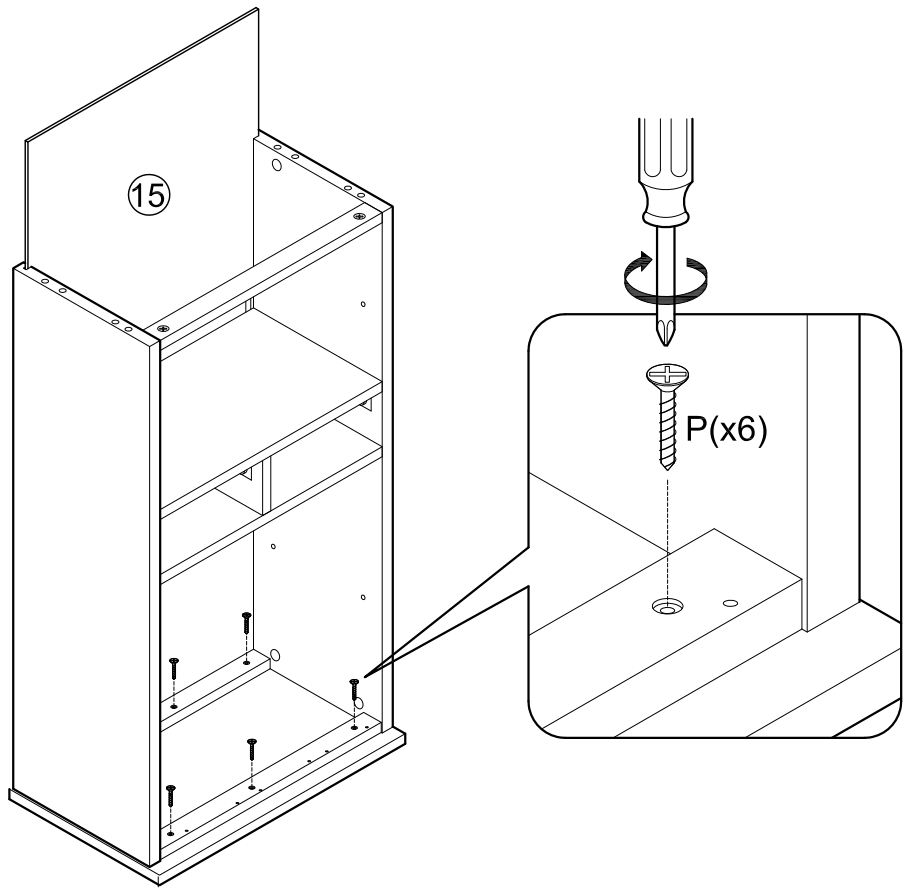
6



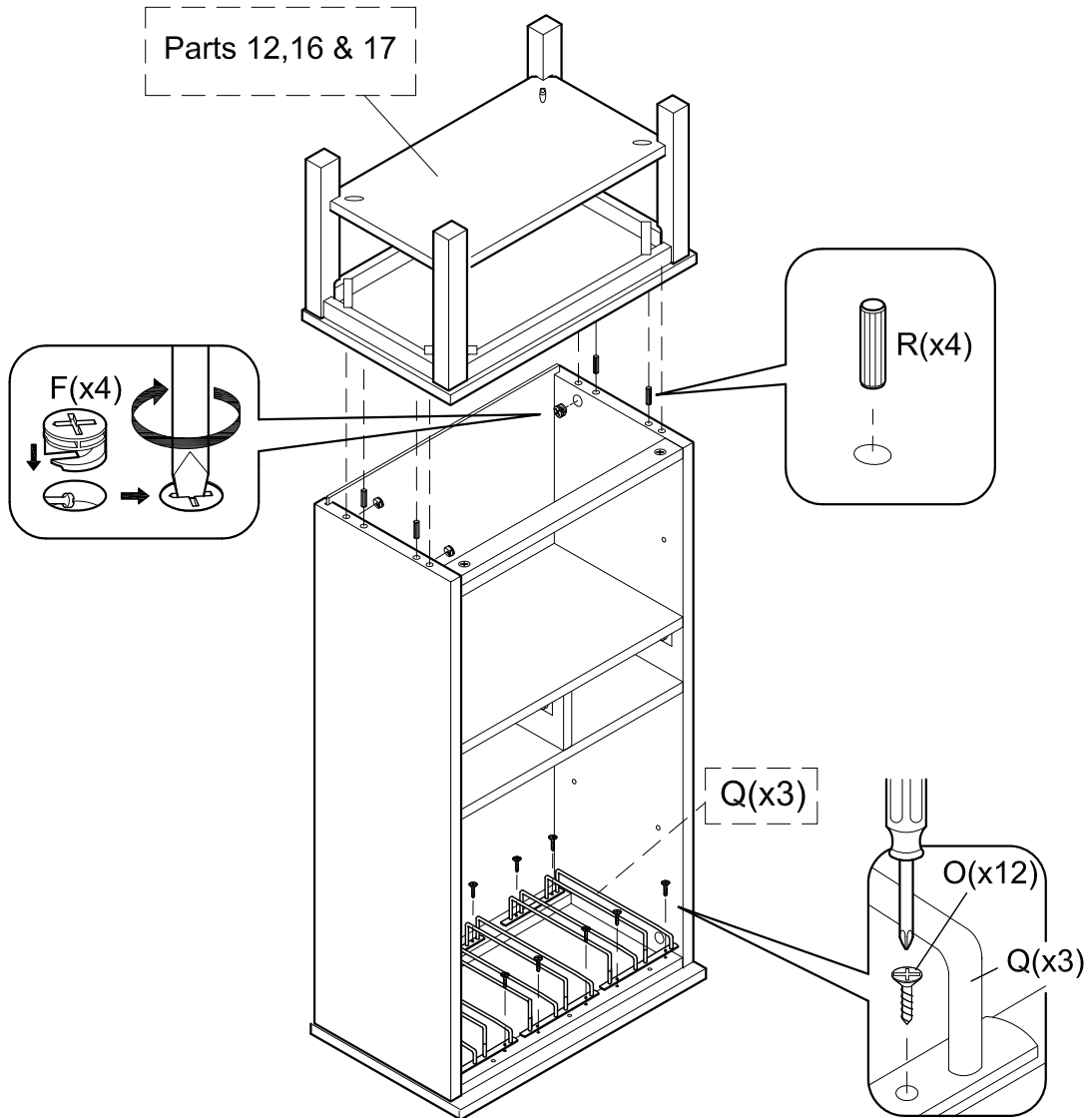
7



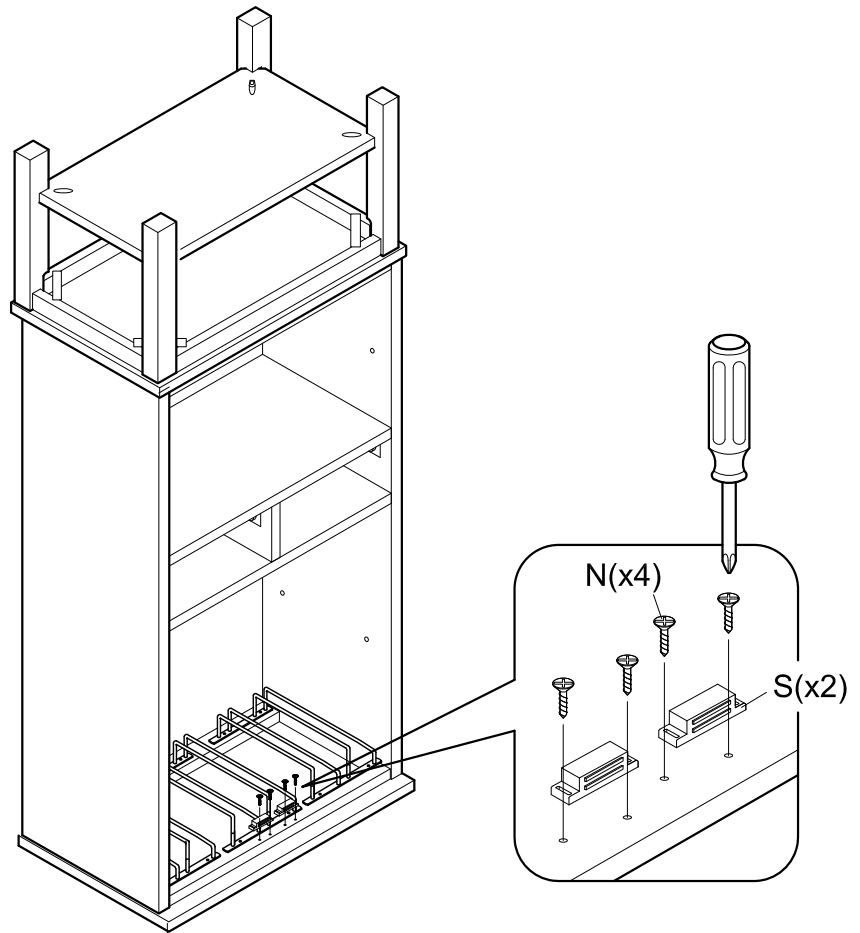
8



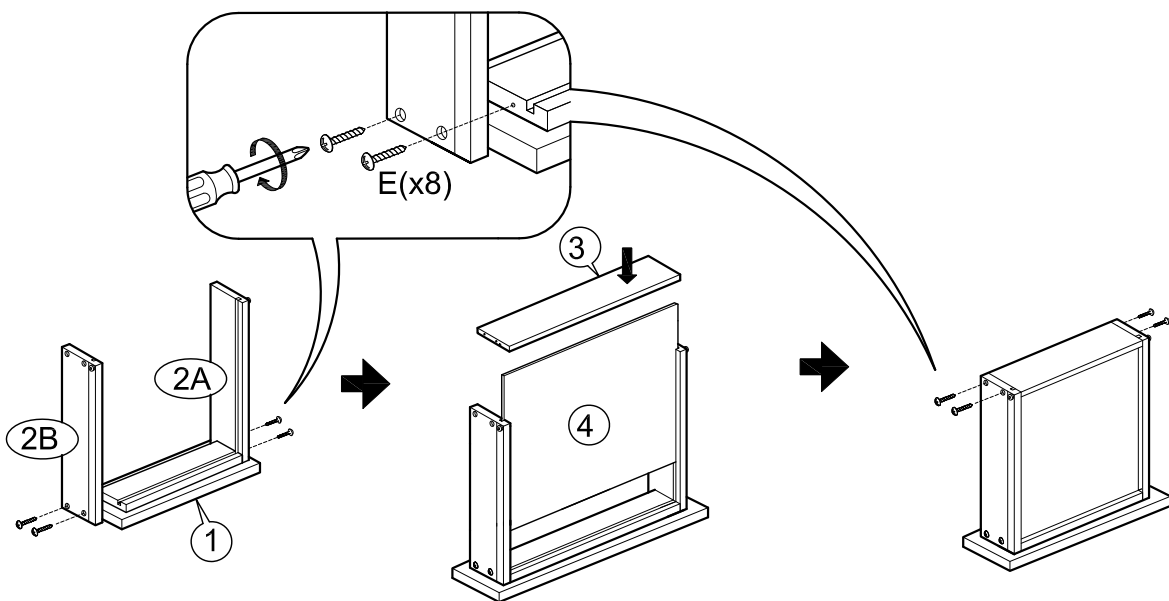
9



10

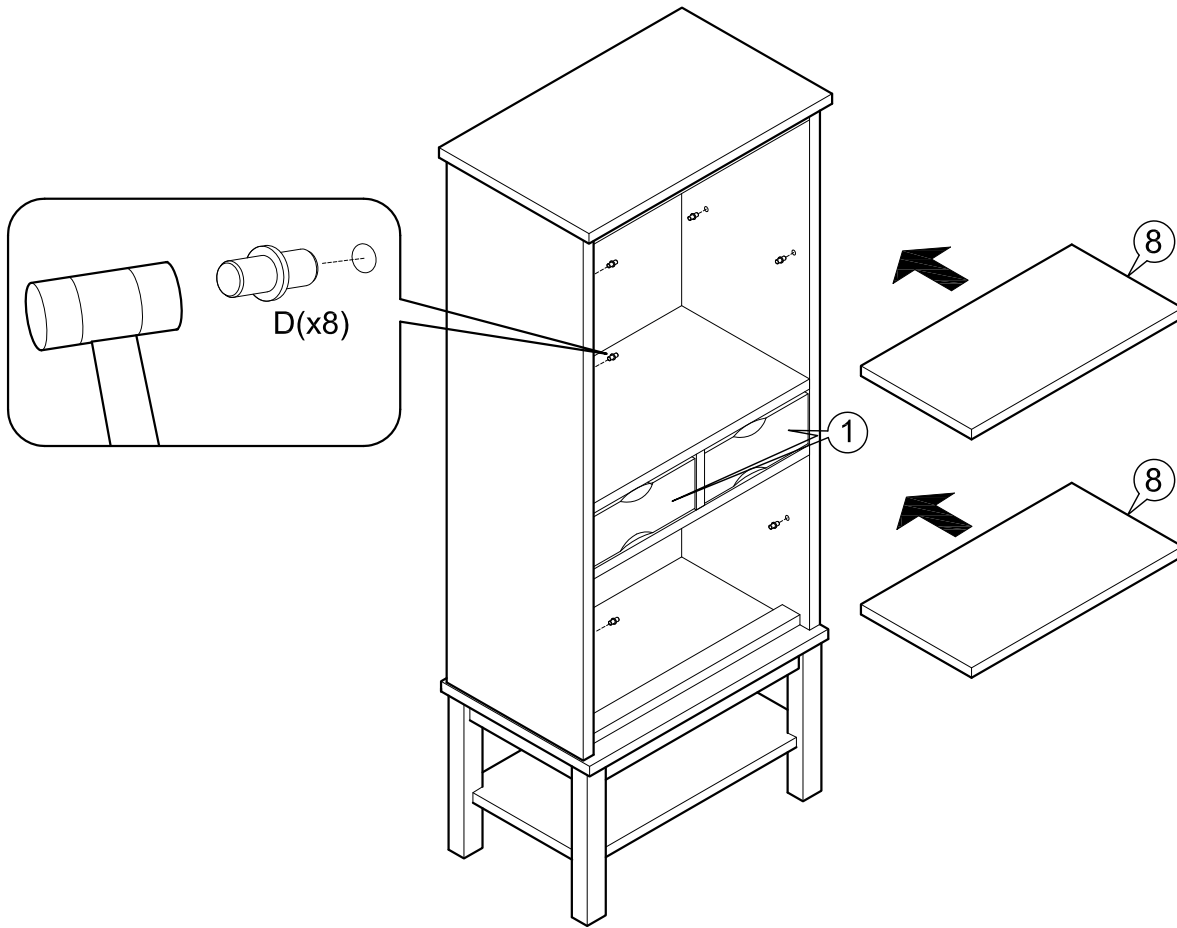


11

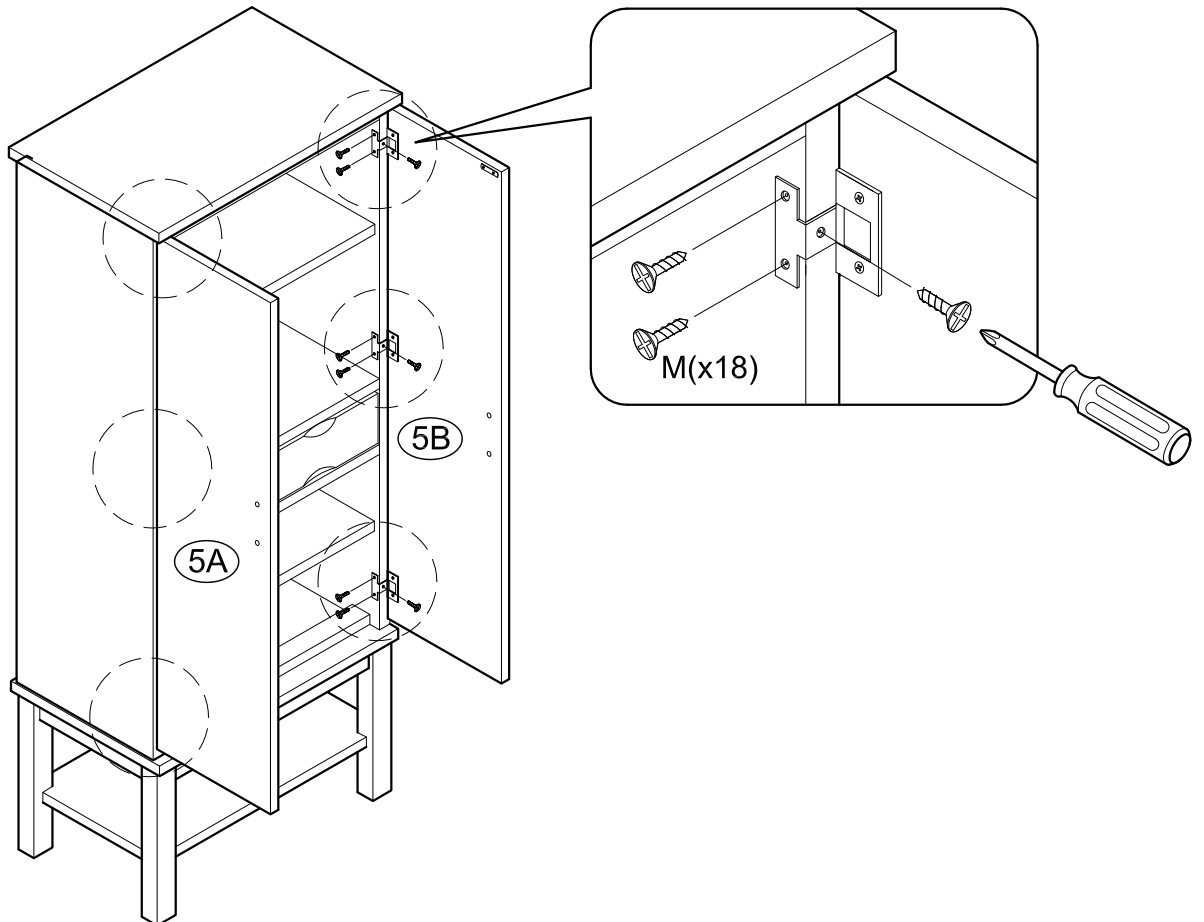


(X2 SET)

12

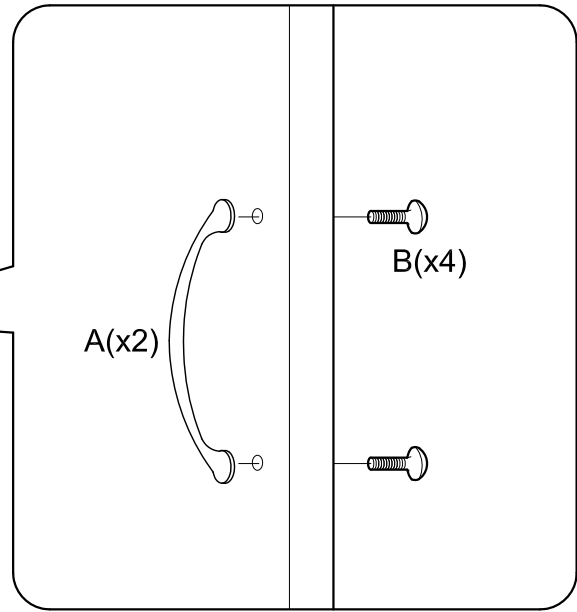
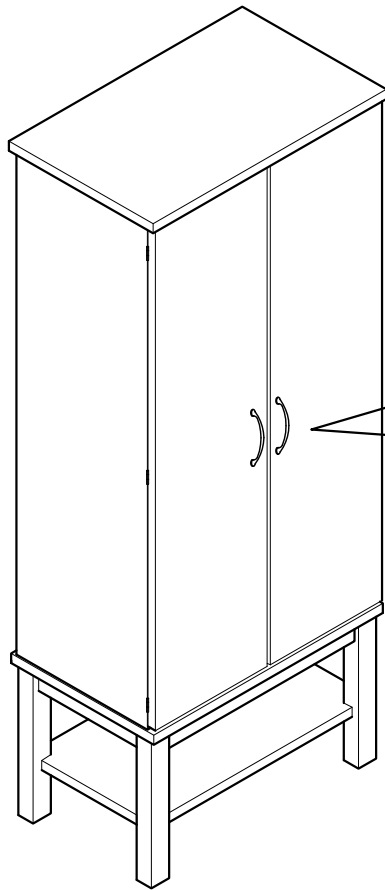


13

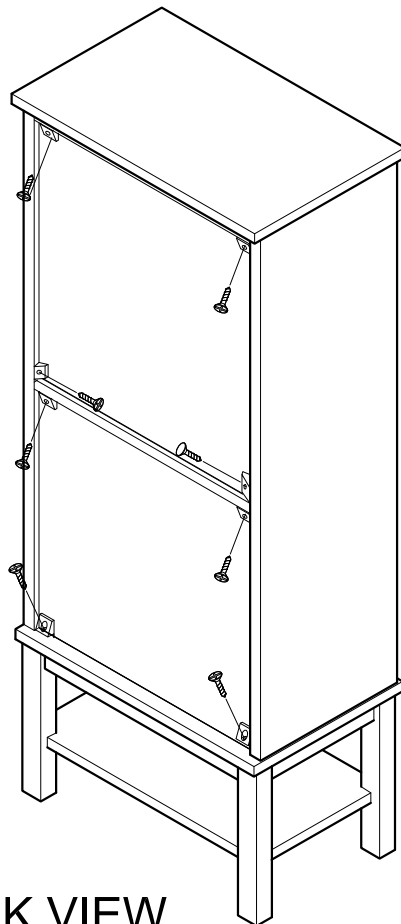
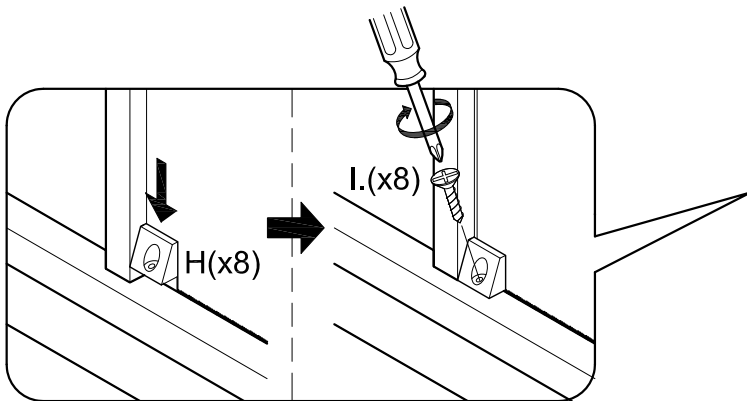




14



15



BACK VIEW

# HOW TO FIT SAFETY STRAP

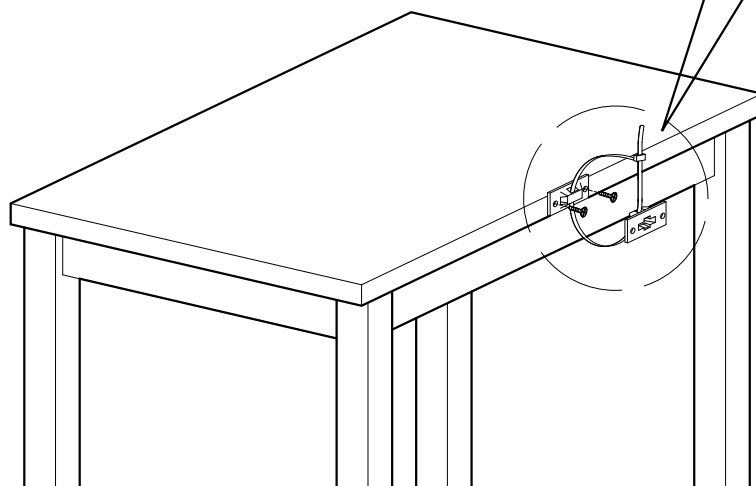
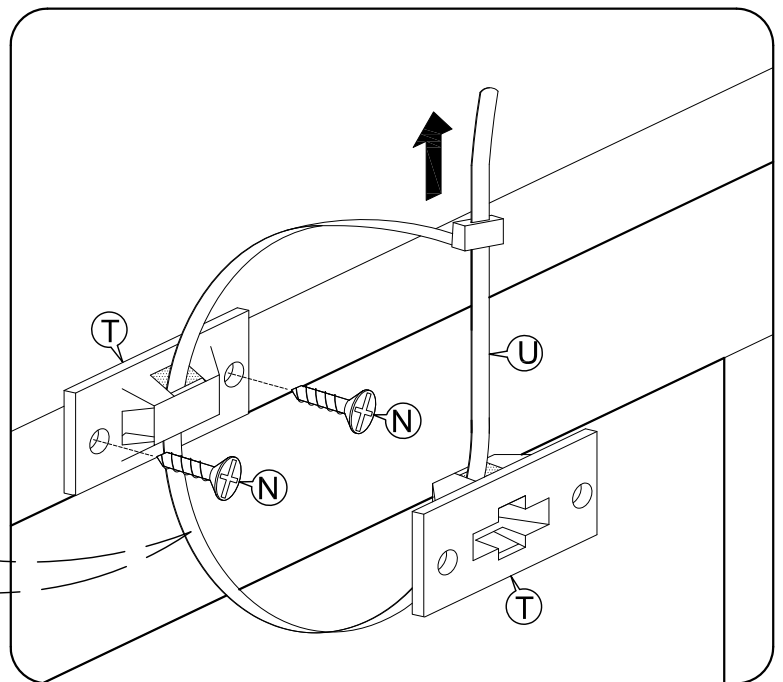
ADD SAFETY STRAP (T) TO BACK OF WINE RACK USING SCREW (N) ( PROVIDED ) AS SHOWN.

SECURE OPPOSITE END OF SAFETY STRAP TO WALL USING APPROPRIATE SCREW/PLUG FOR TYPE OF WALL ( NOT PROVIDED ).

PHILIPS HEAD SCREWDRIVER TOOL REQUIRED

Lace one end of the wall strap (U) through both brackets, and into the other end of the strap.

Pull the strap tightly until secure.



BACK VIEW