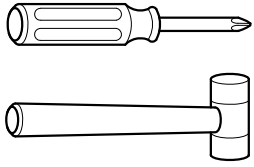
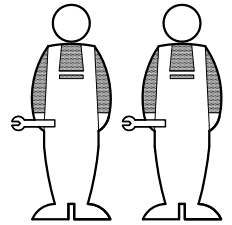
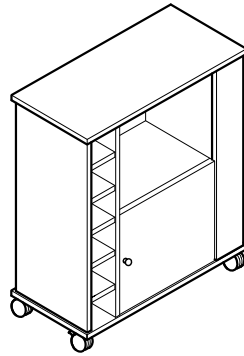


ASSEMBLY INSTRUCTIONS

Item : Ontario Wine Cart

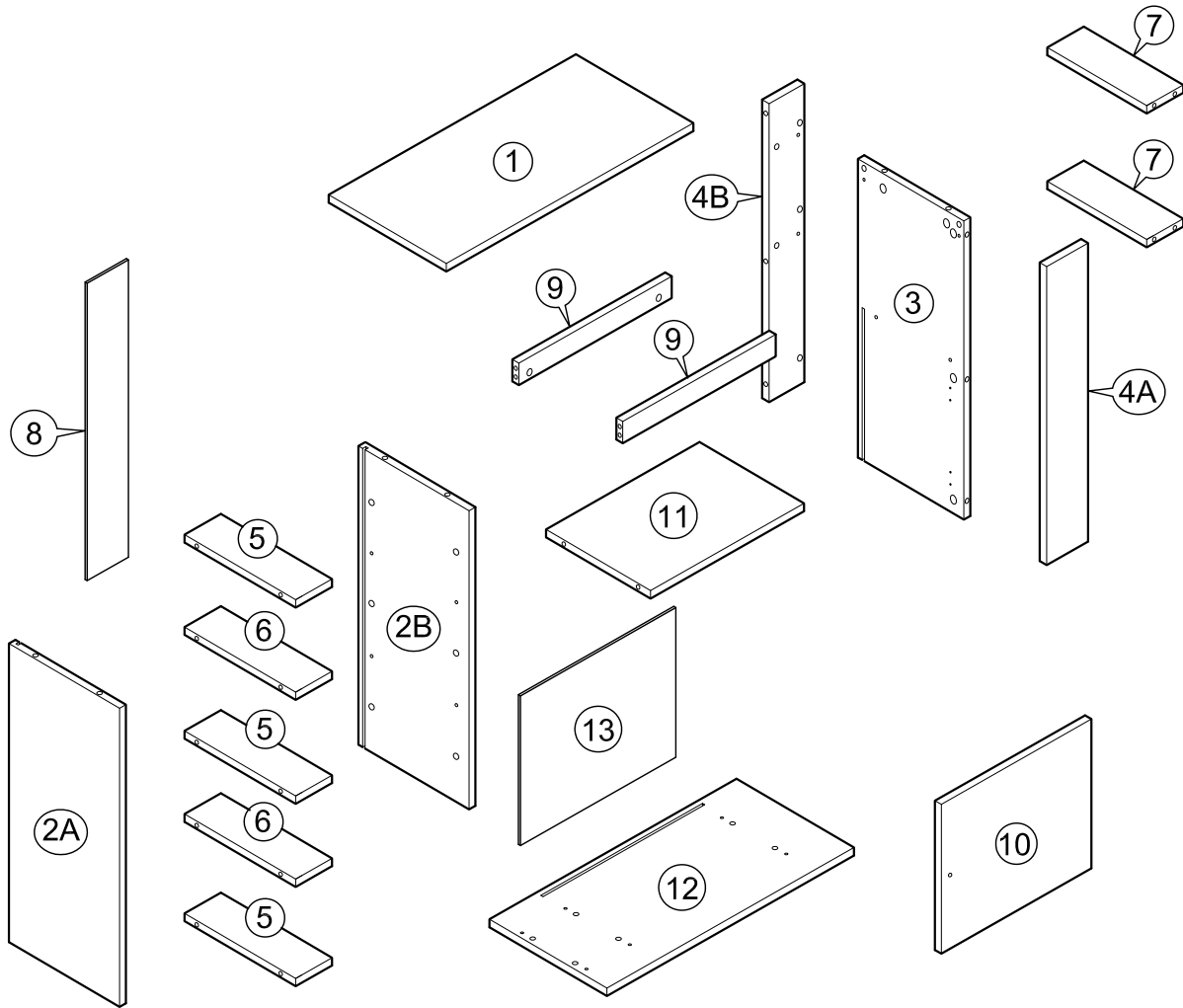


Not Provided



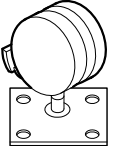
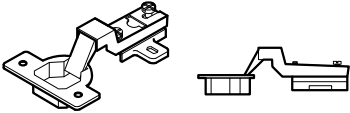
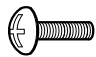

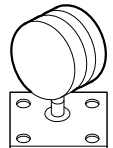


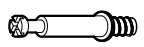
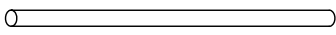

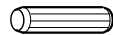


2 Persons

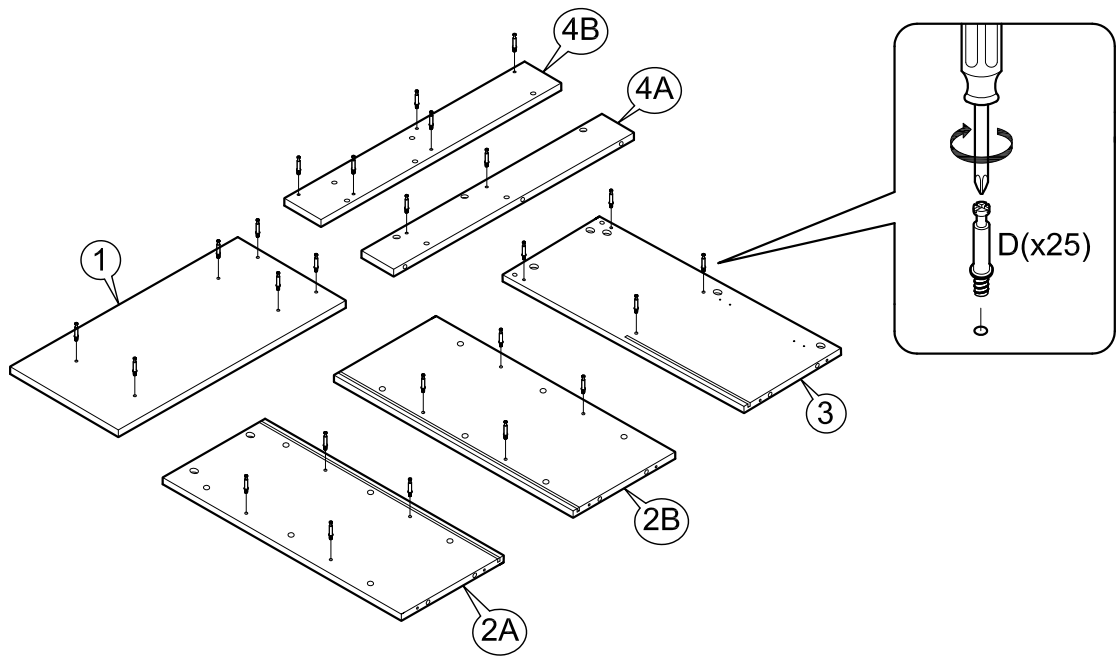
Part List



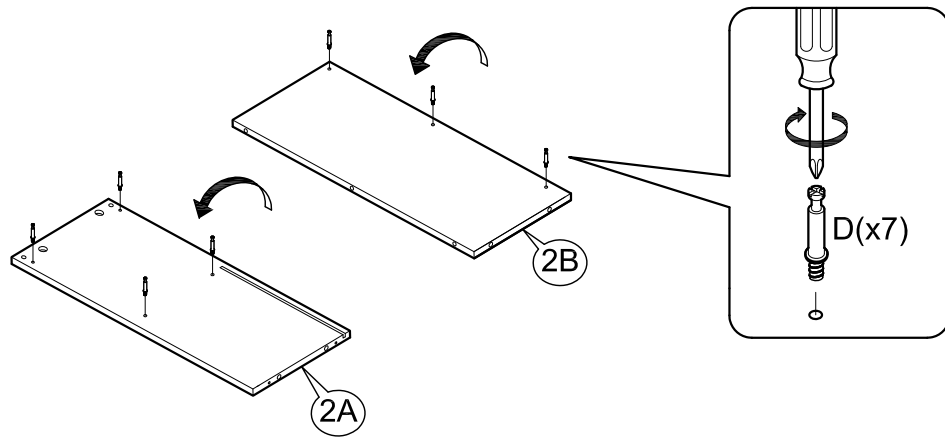
Hardware List

<p>A  = 1</p>	<p>F  M3.5 x 12mm = 16</p>	<p>K  50mmØ With Lock = 2</p>	<p>M  Mini-7/8" = 2</p>
<p>B  20mm = 1</p>	<p>G  M3.5 x 16mm (Black) = 8</p>	<p>L  50mmØ Without Lock = 2</p>	
<p>C  12mm = 32</p>	<p>H  Pan Head #8 x 1 1/4" = 6</p>		
<p>D  34mm = 32</p>	<p>I  320 x 9Ømm = 3</p>		
<p>E  = 1</p>	<p>J  M8 x 35mm = 26</p>		

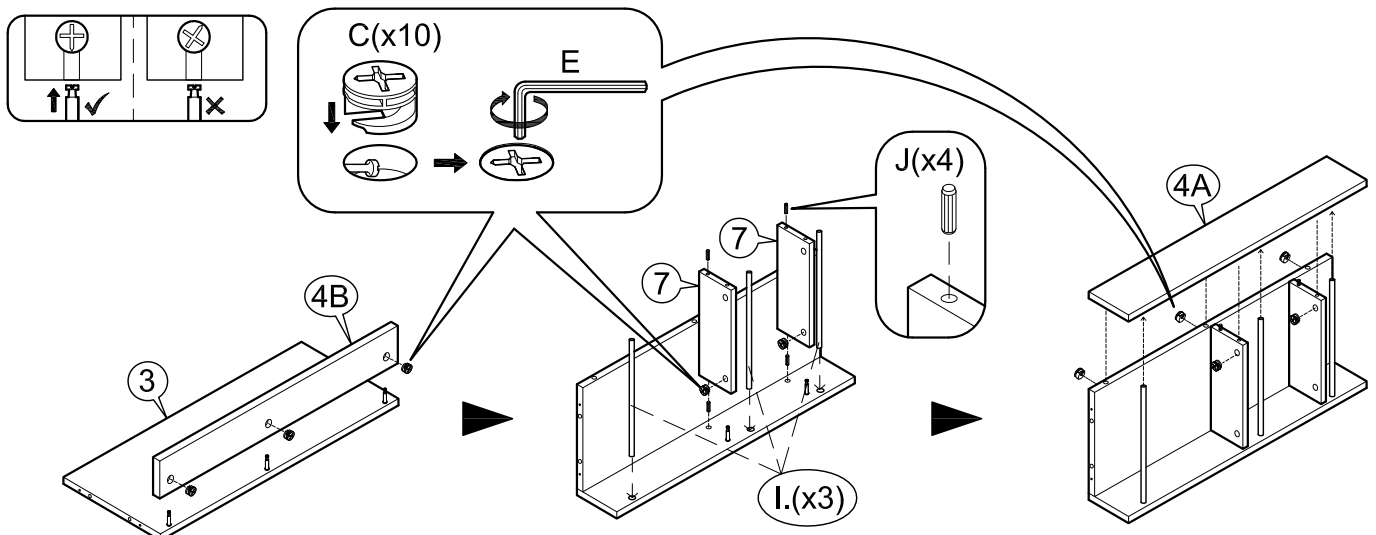
1



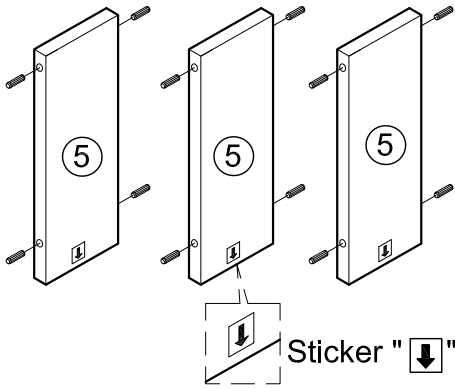
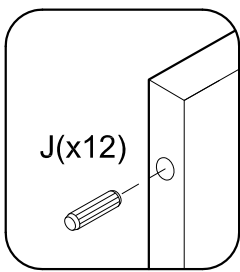
2



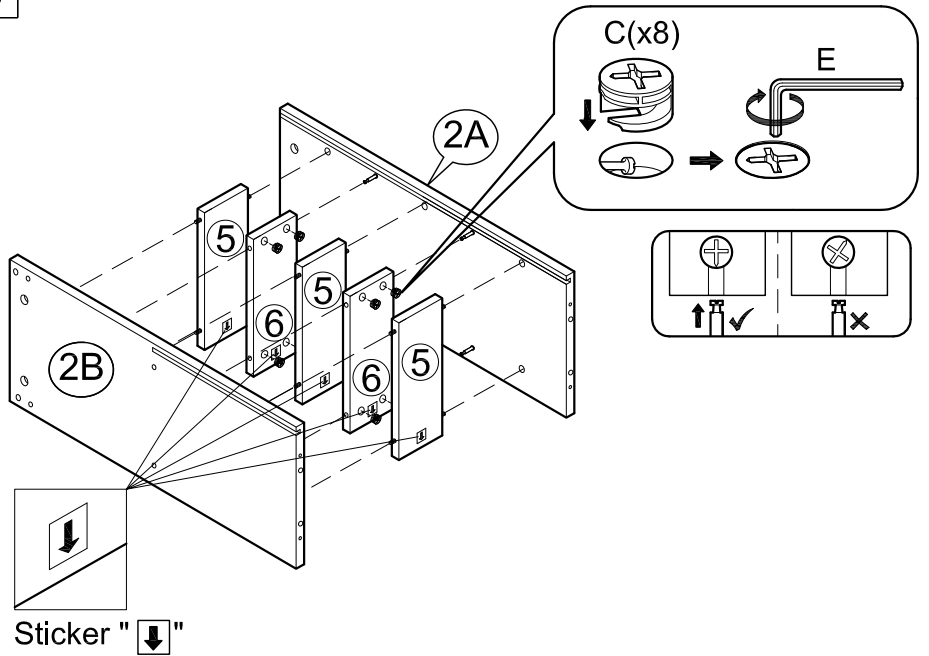
3



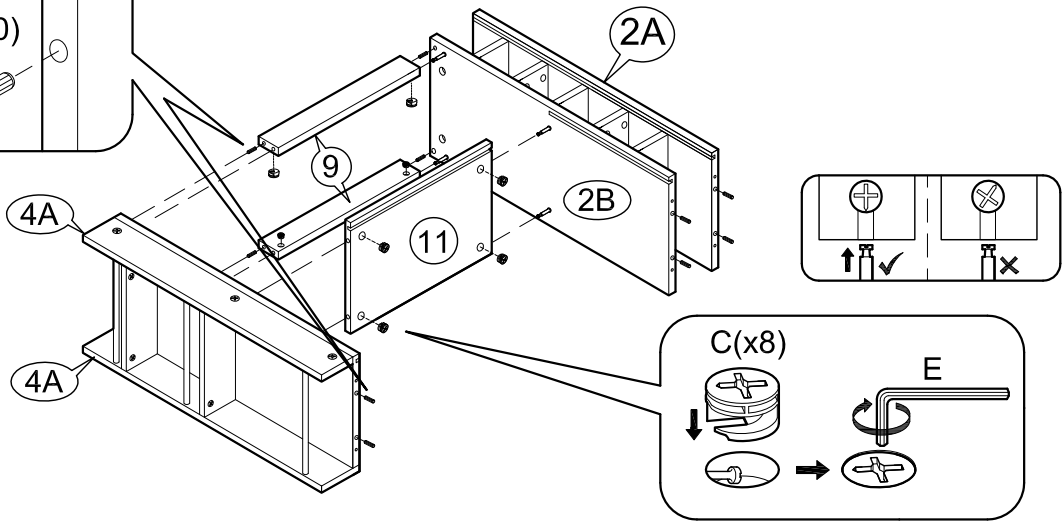
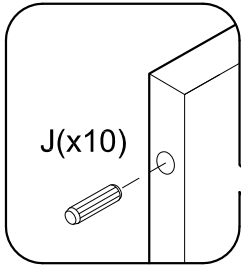
4



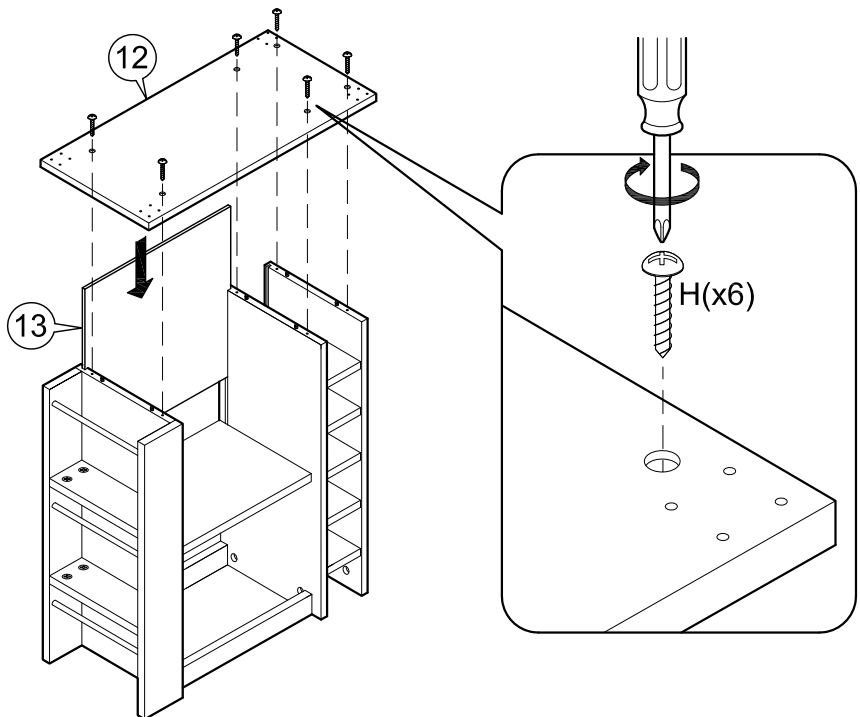
5



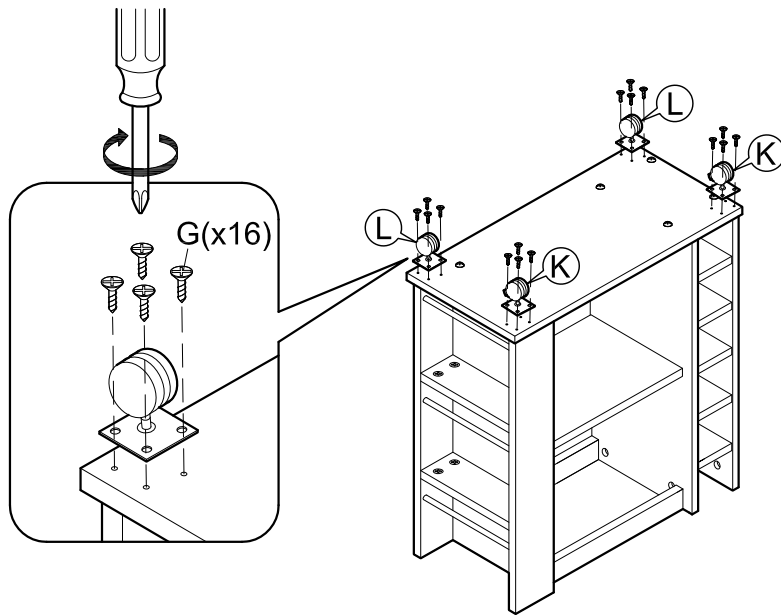
6



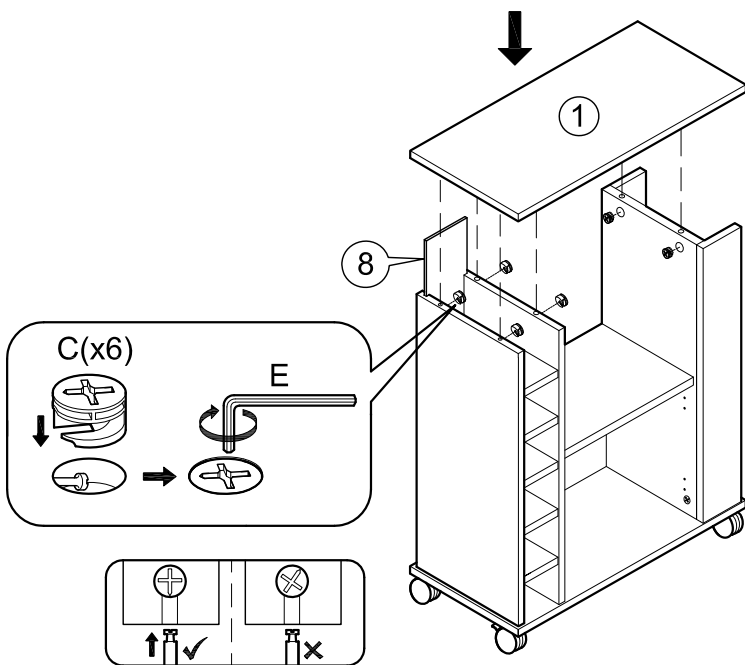
7



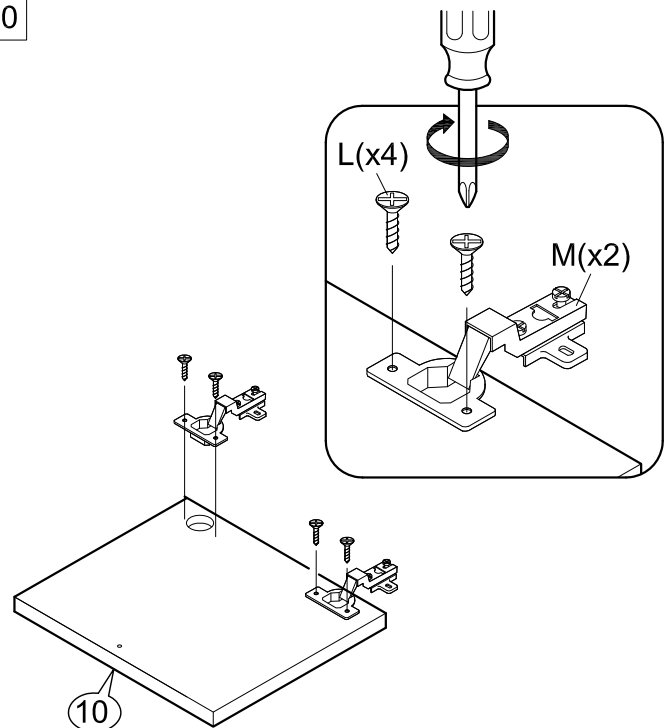
8



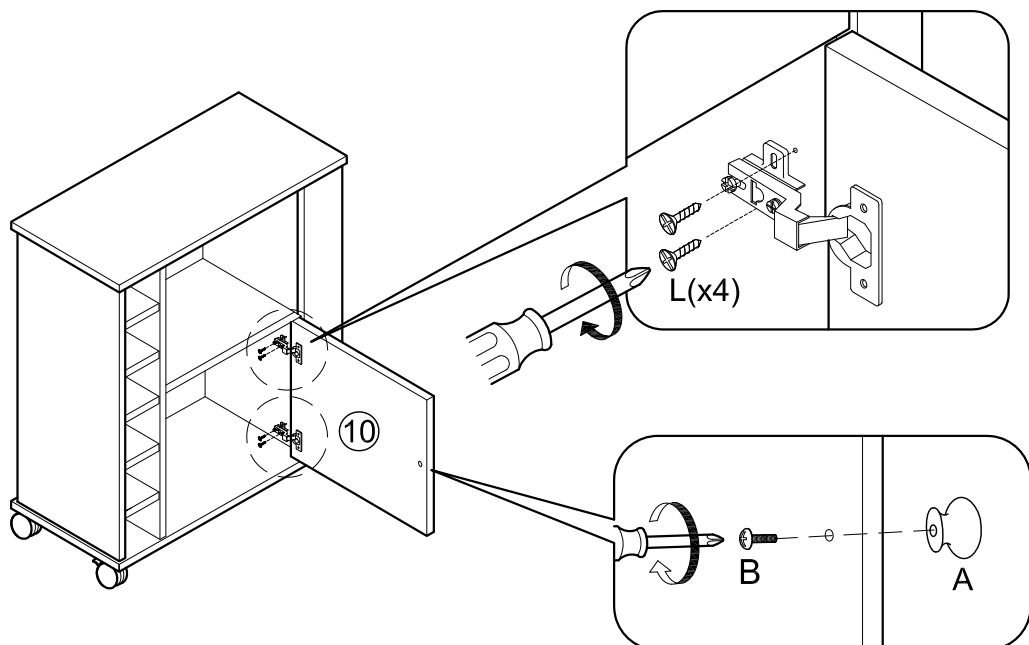
9



10

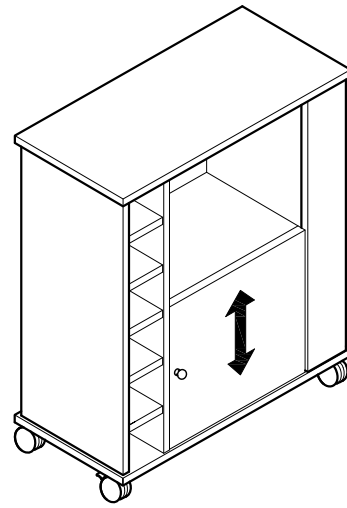
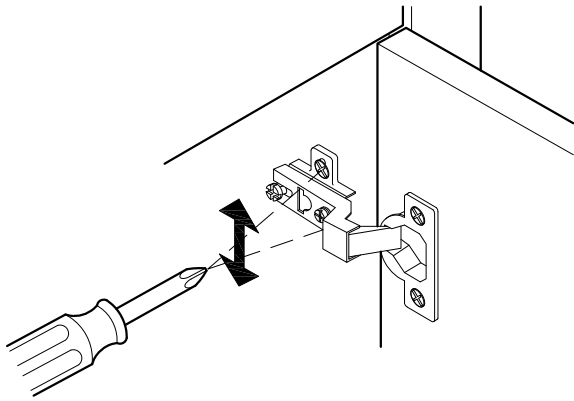


11

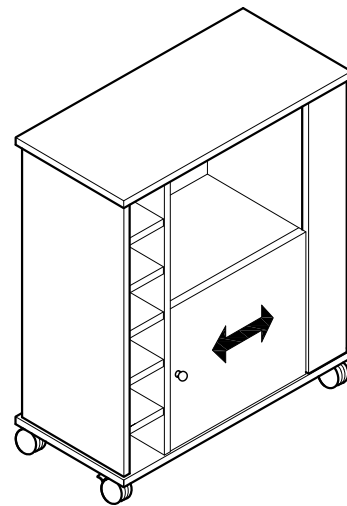
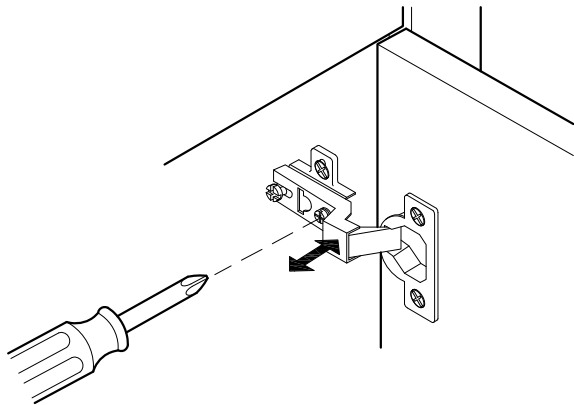


ADJUST THE HINGE TO MAKE THE DOOR EVEN

12



13



14

