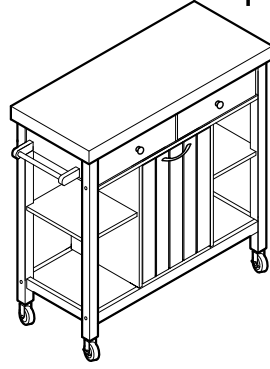
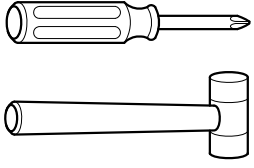
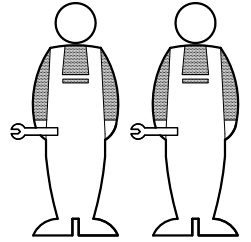


ASSEMBLY INSTRUCTIONS

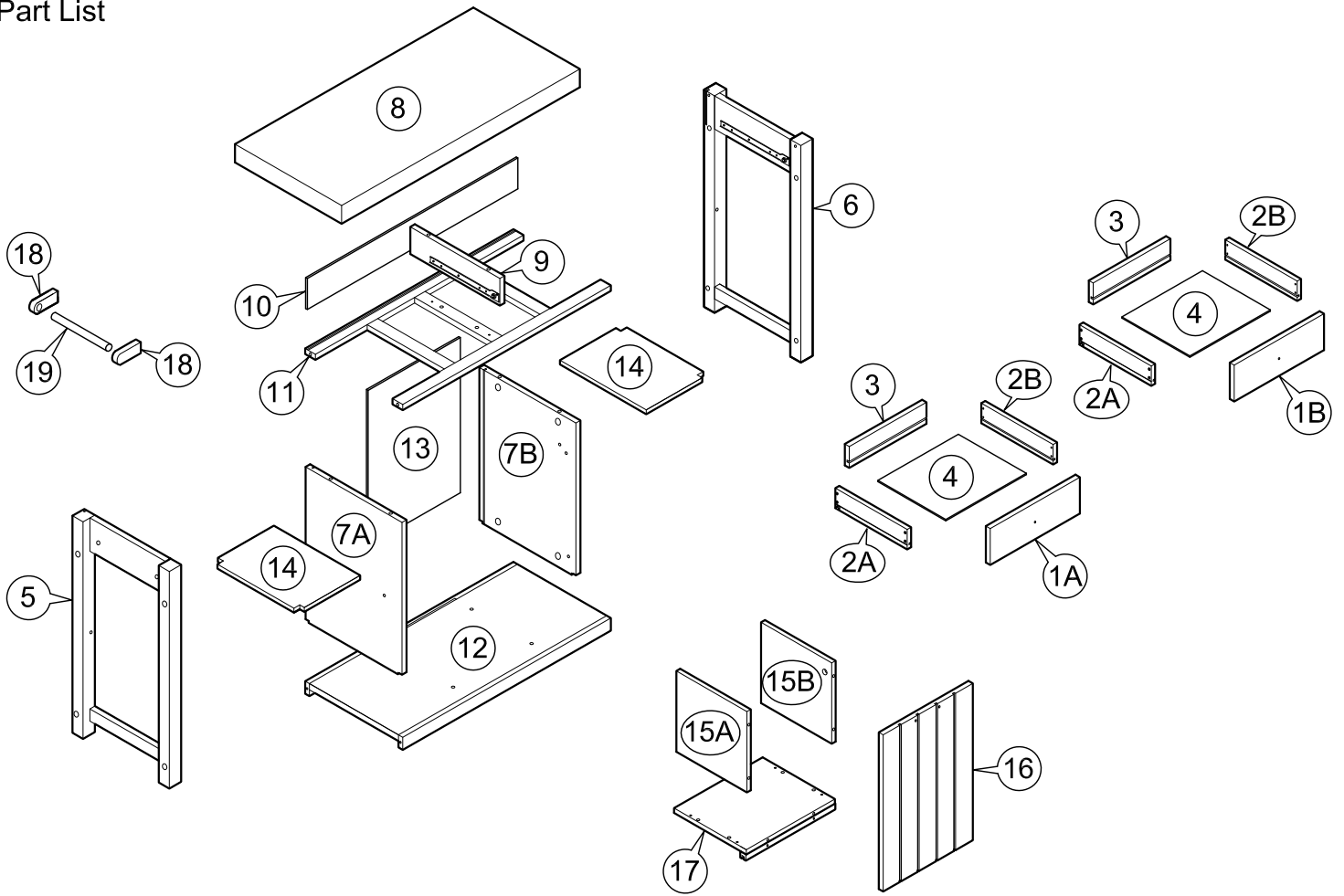
Item : Hayward Kitchen Cart with Thick Wood Top



Not Provided

2 Persons

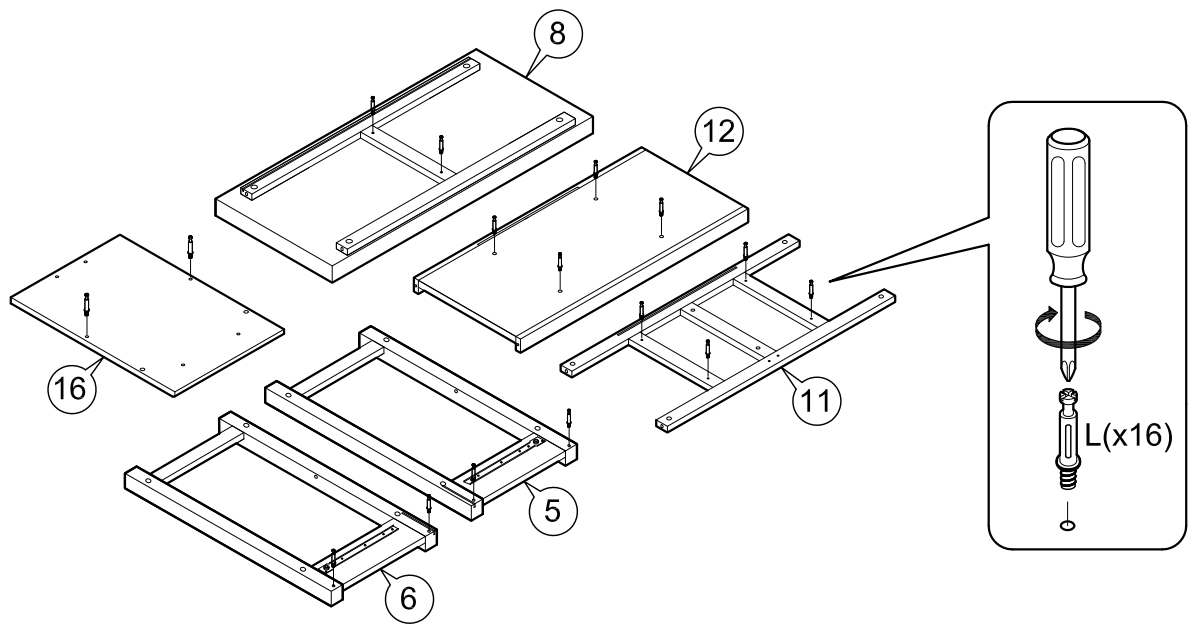
Part List



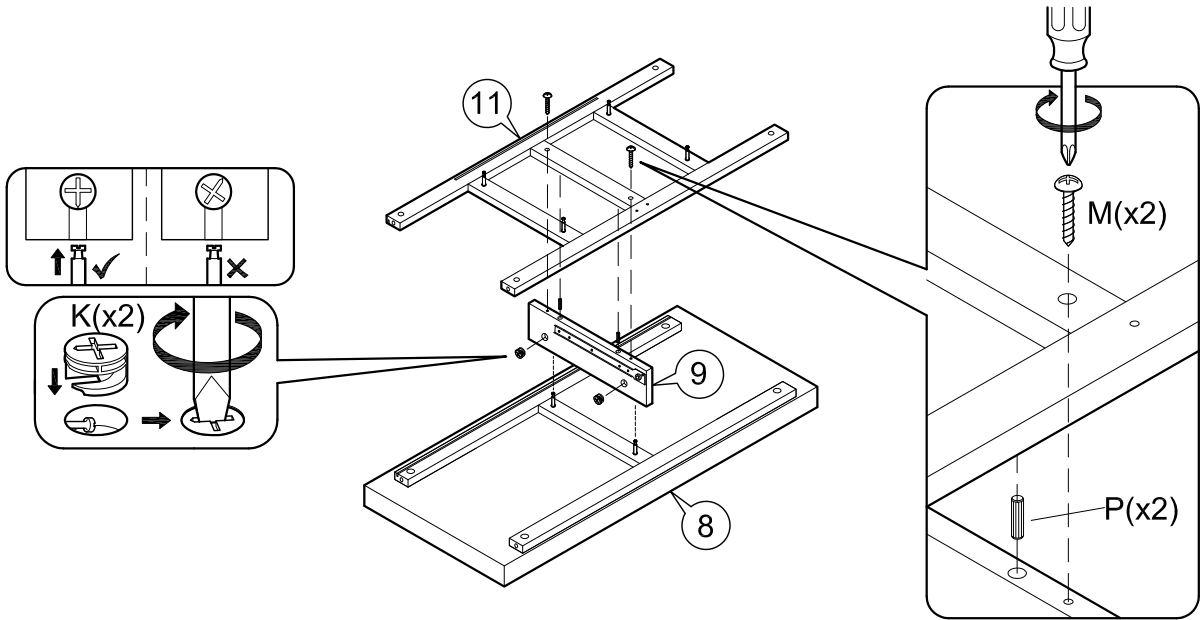
Hardware List

A	M6 x40mm = 2	G	20mm = 4	M	#8x 1 1/4" = 22	R	50mm = 2
B	M6 x70mm = 8	H	= 3	N	14.5Ø = 8		
C	M6 x13mm = 8	I	M3 x16mm(Black) = 3	O	= 8	S	50mm = 2
D	M4 x110mm = 1	J	24mm = 2	P	M8 x30mm=10		
E	= 2	K	12mm = 16	Q	M4 x 25mm = 2		
F	= 1	L	34mm = 16				

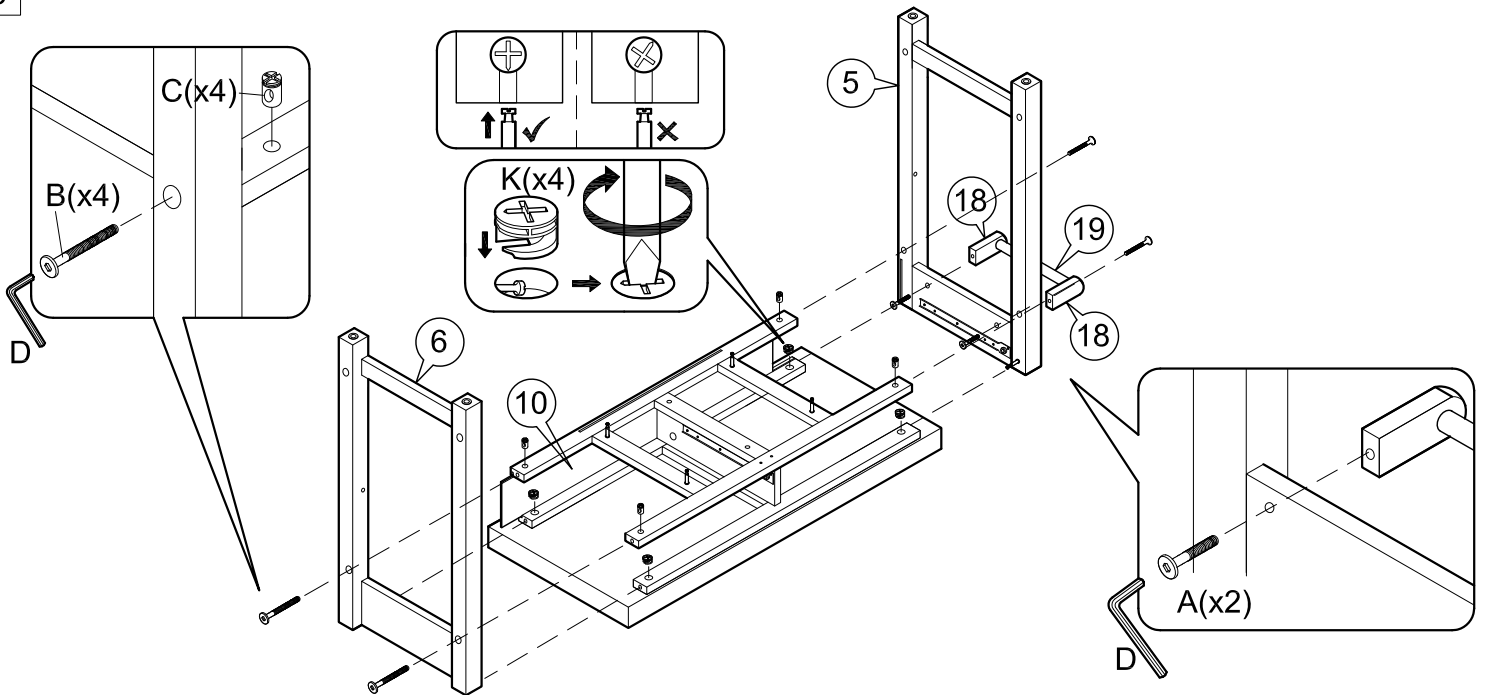
1



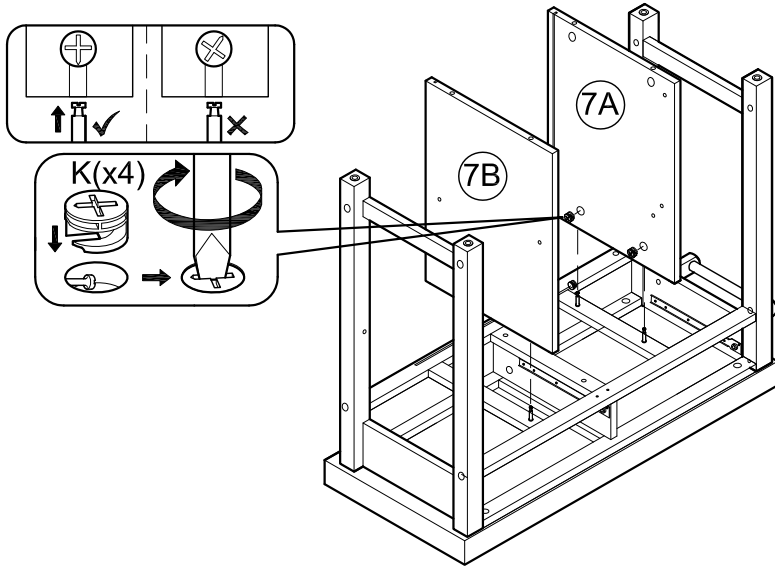
2



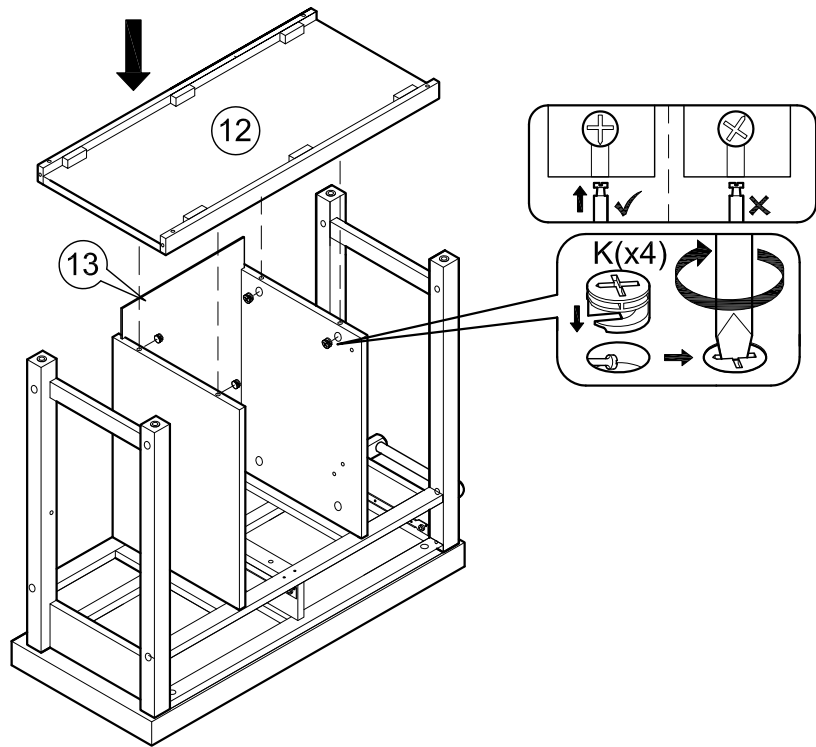
3



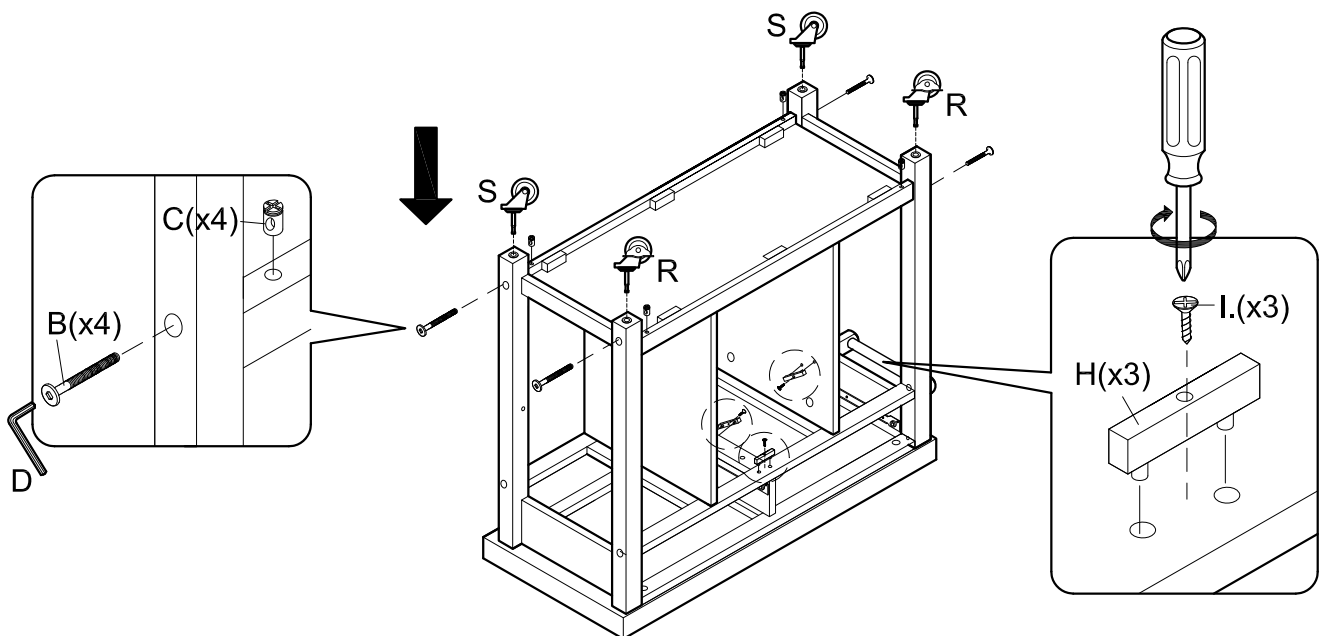
4



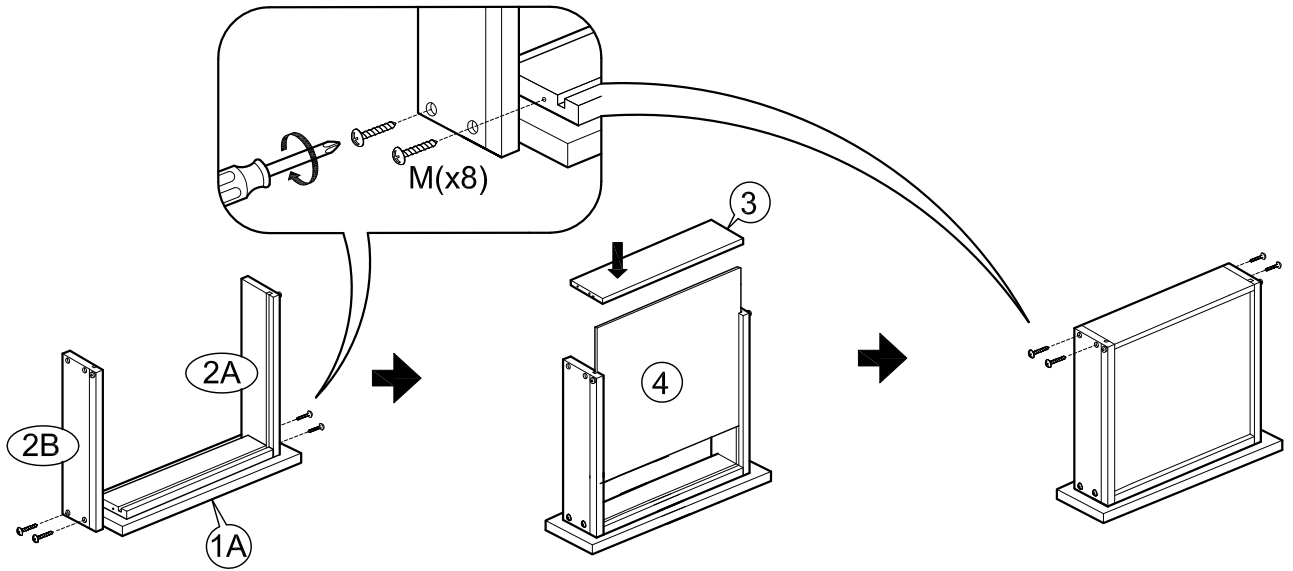
5



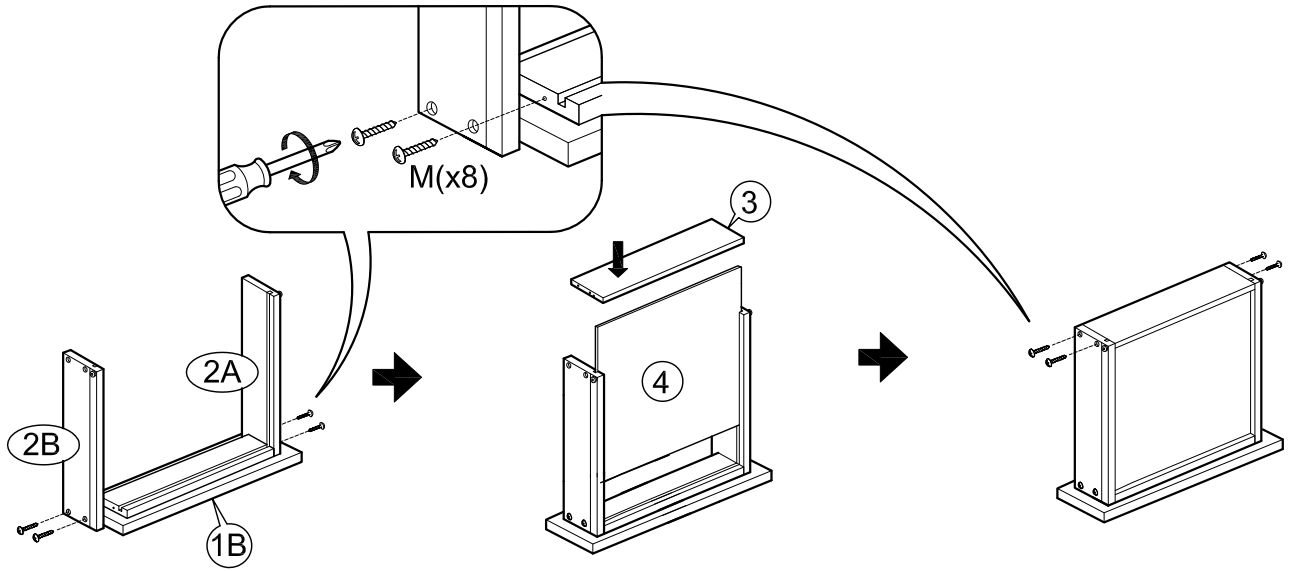
6



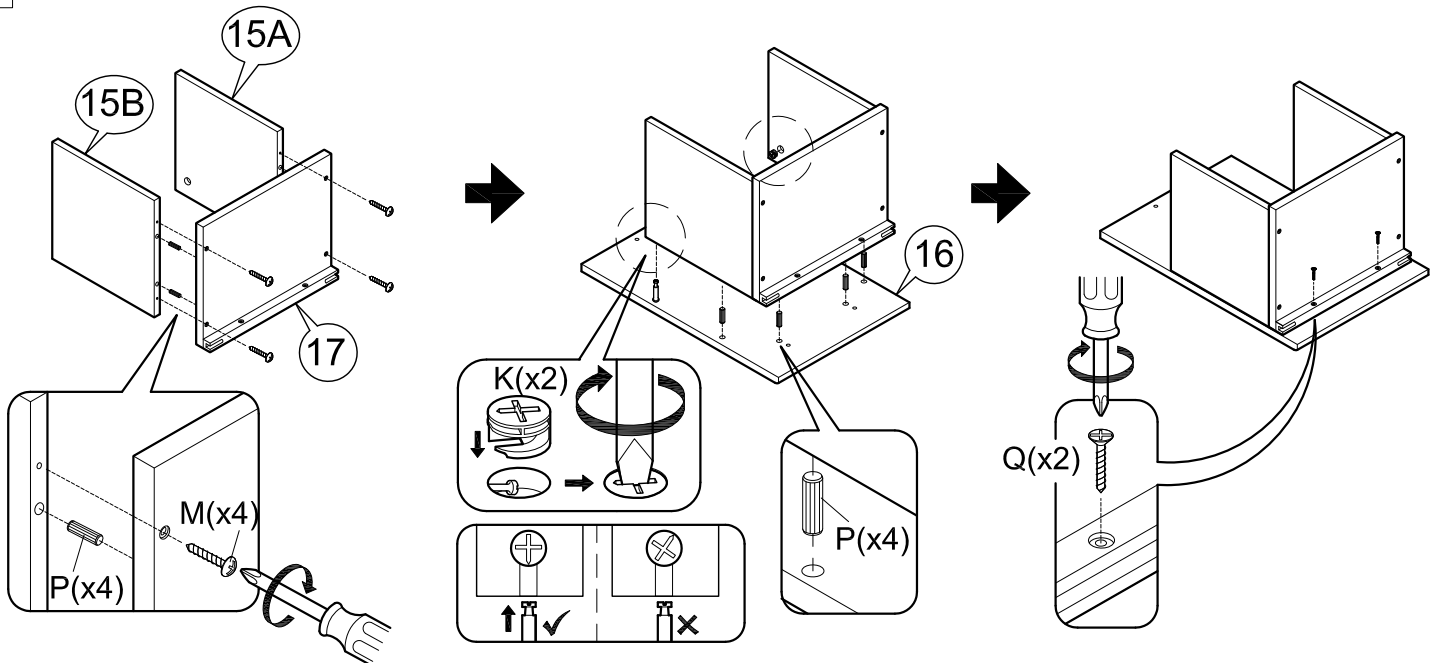
7



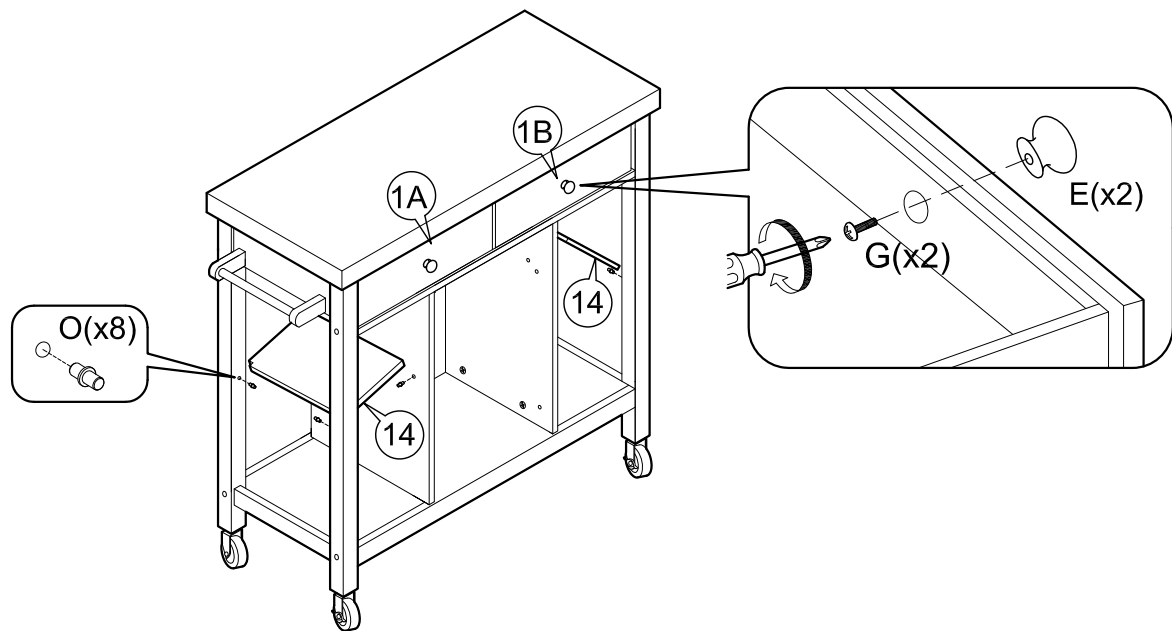
8



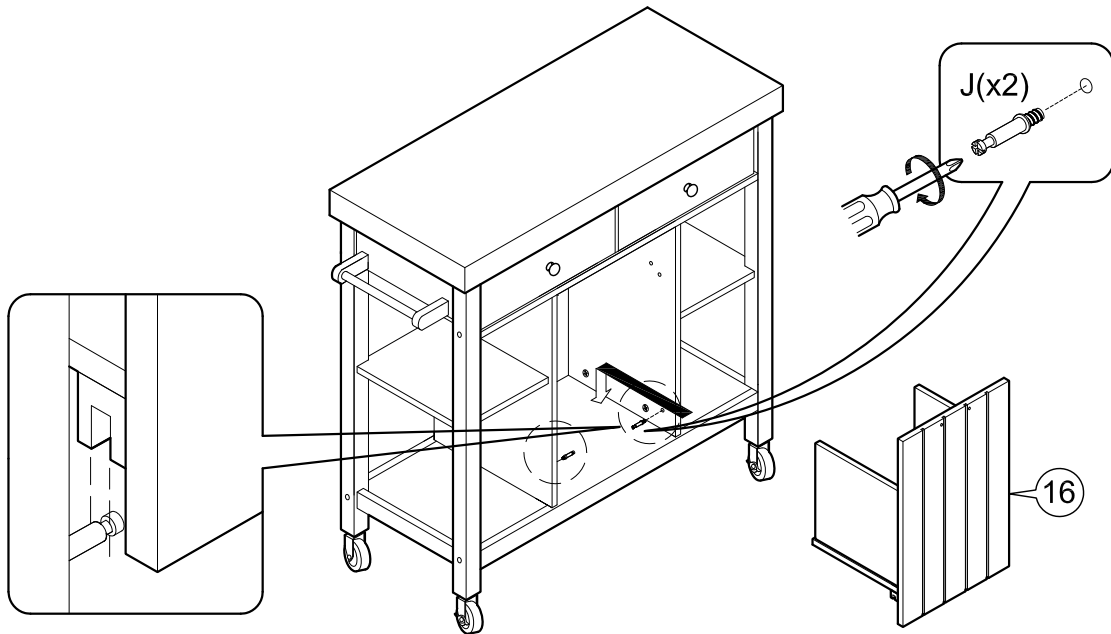
9



10



11



12

