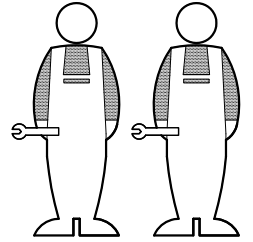
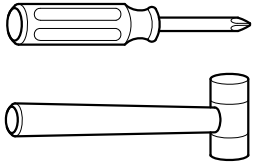


**ASSEMBLY
INSTRUCTIONS**

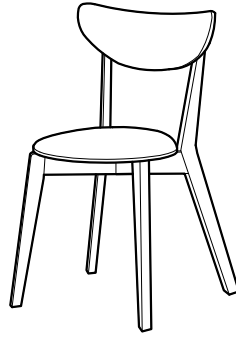
Item : Morocco Dining Chair



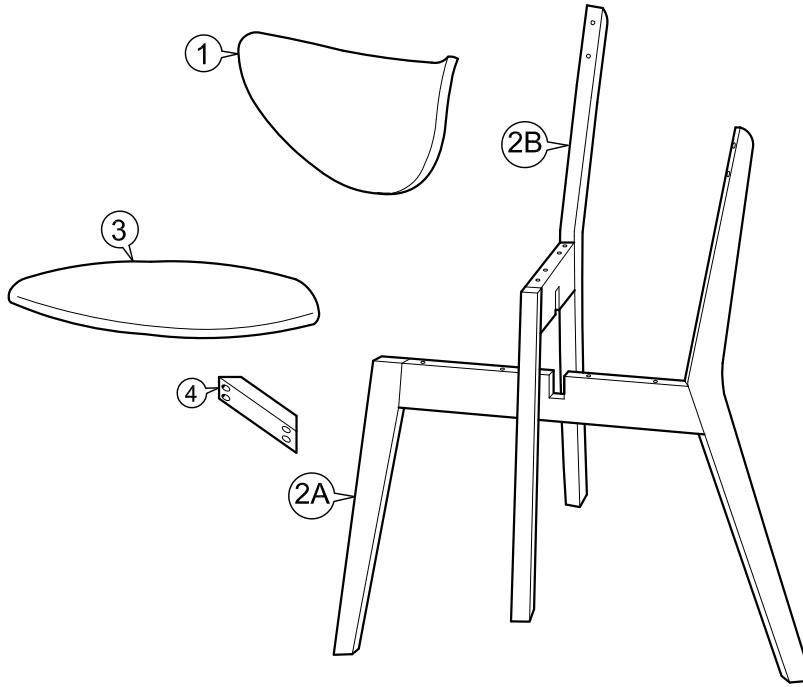
2 Persons



Not Provided

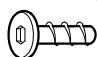
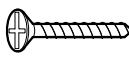

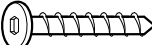
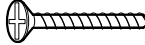


Part List :

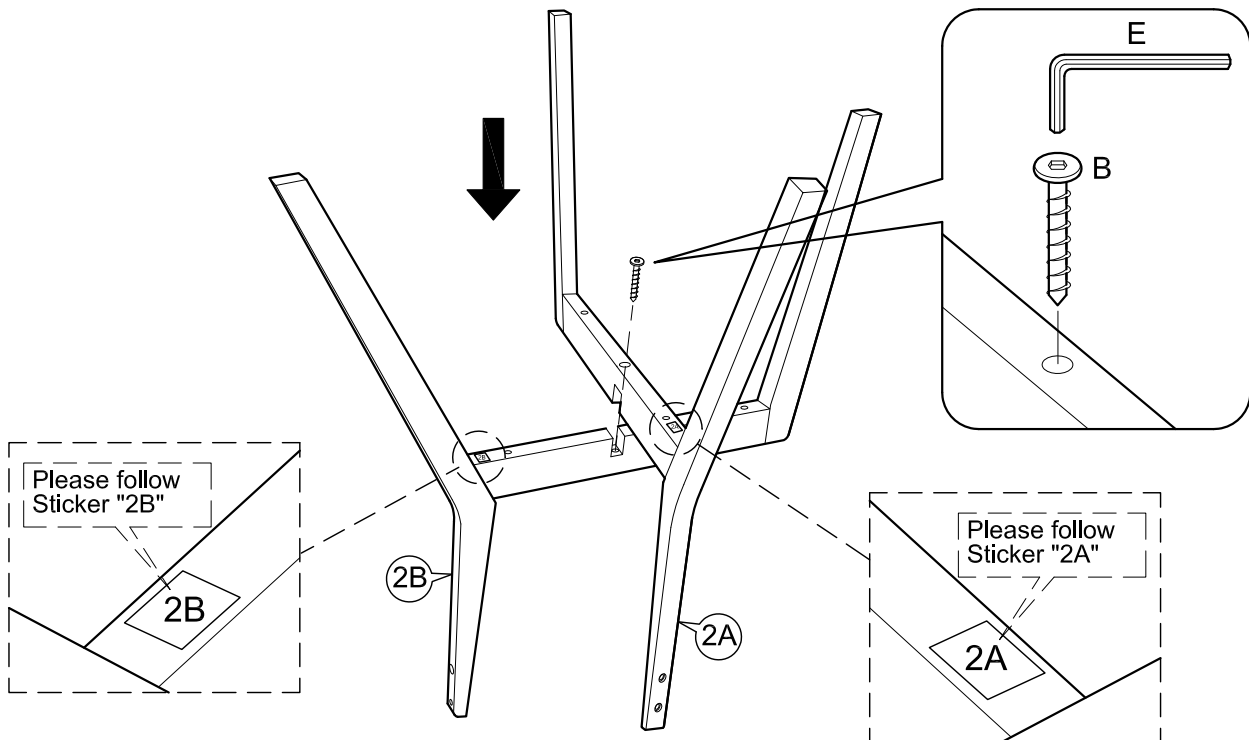


(x2)

Hardware List

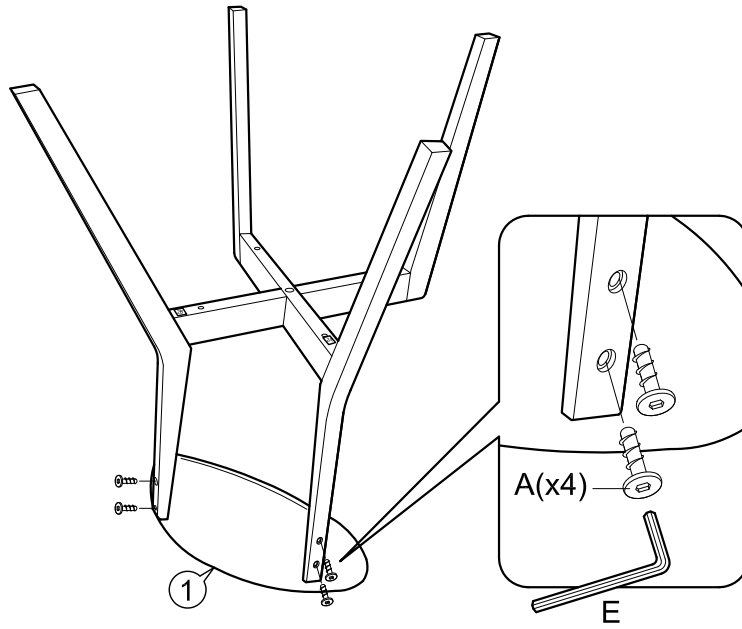
| | | |
|--|--|---|
| <p>A M7 x 25mm = 8</p>  | <p>C M4 x 32mm = 8</p>  | <p>E = 1</p>  |
| <p>B M7 x 40mm = 2</p>  | <p>D M4 x 38mm = 8</p>  | |

1



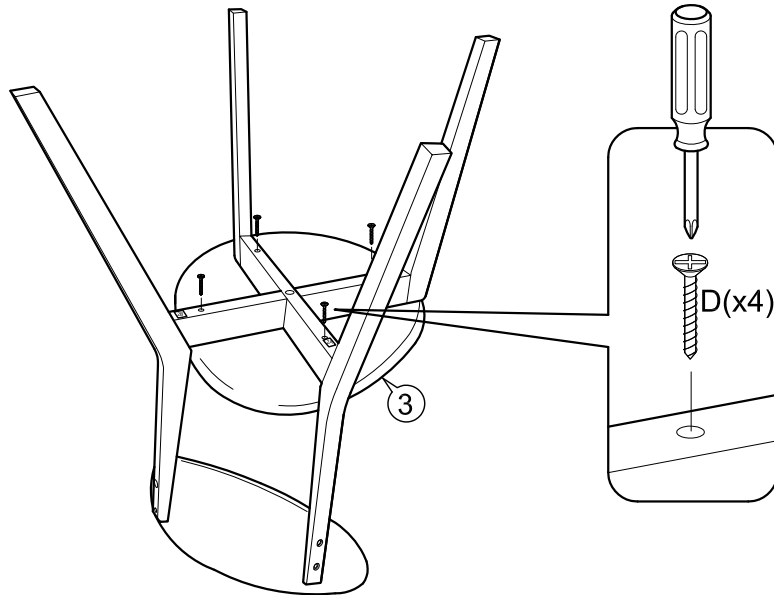
(x2)

2



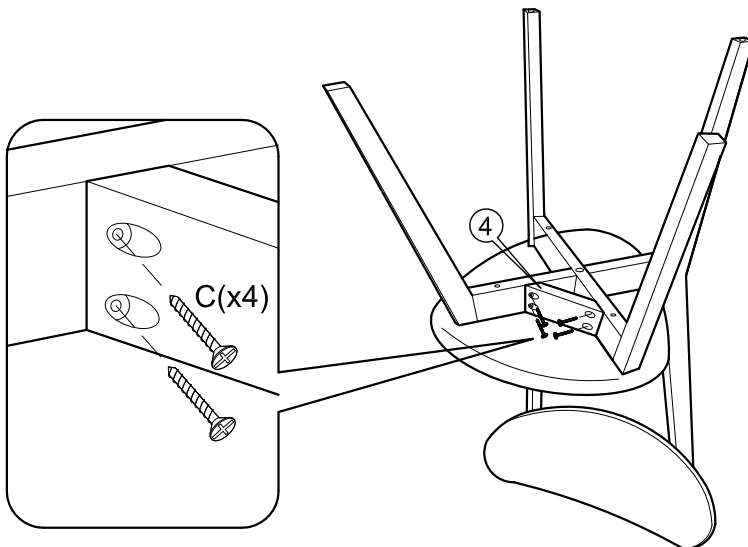
(x2)

3



(x2)

4



(x2)