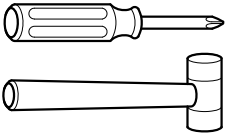
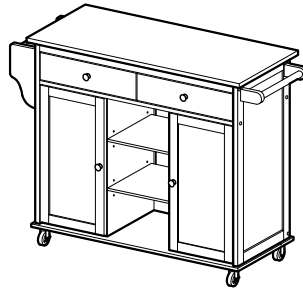
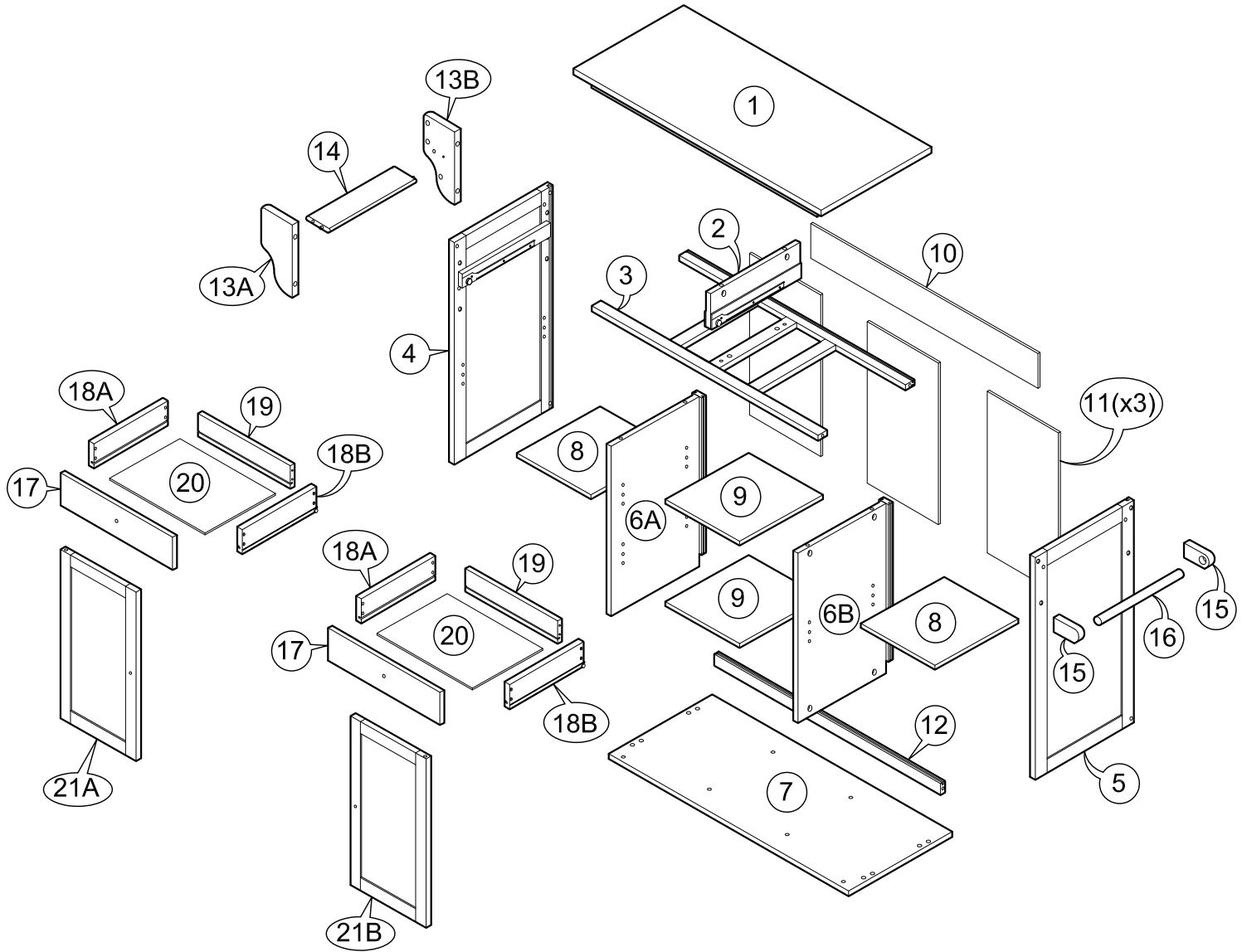


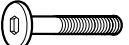


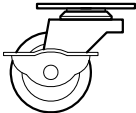
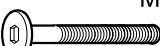
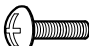


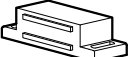
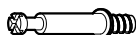
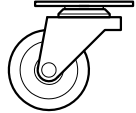







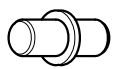

ASSEMBLY INSTRUCTIONS

Item : Maryland Kitchen Cart

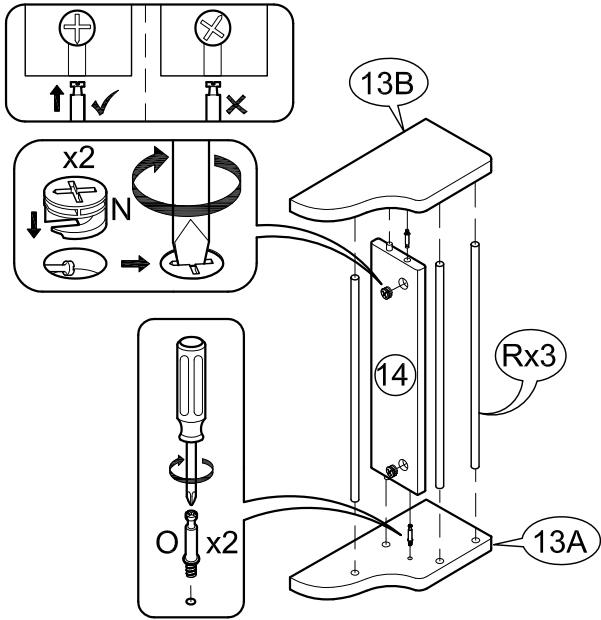


Not Provided

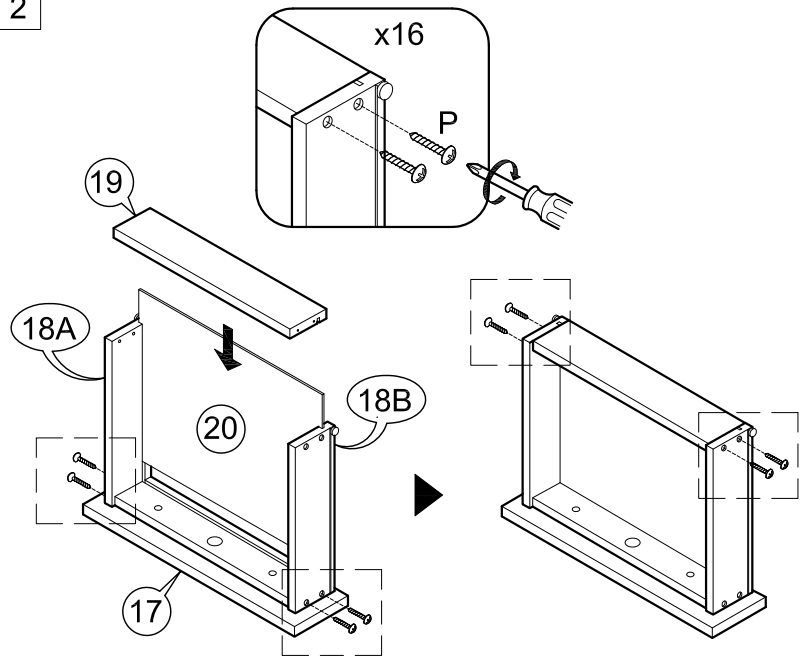


A	 M6 x40mm = 10	G	 = 4	M	 = 4	S	 50mm = 2
B	 M6 x 60mm = 10	H	 20mm = 4	N	 9mm = 12		
C	 1/4" = 4	I	 = 2	O	 24mm = 12	T	 50mm = 2
D	 M6 x13mm = 4	J	 M3 x16mm = 4 (For Magnetic)	P	 #8x 1 1/4" = 18		
E	 M6 x13mm = 10	K	 M3.5 x16mm = 16 (For Caster)	Q	 14.5Ø = 8		
F	 = 1	L	 = 16	R	 = 3		

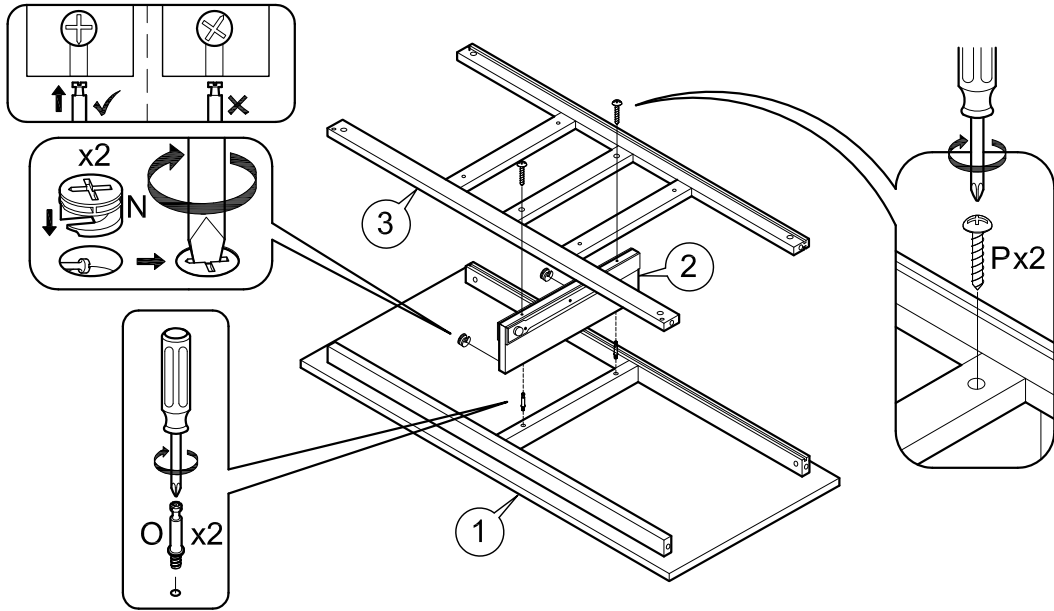
1



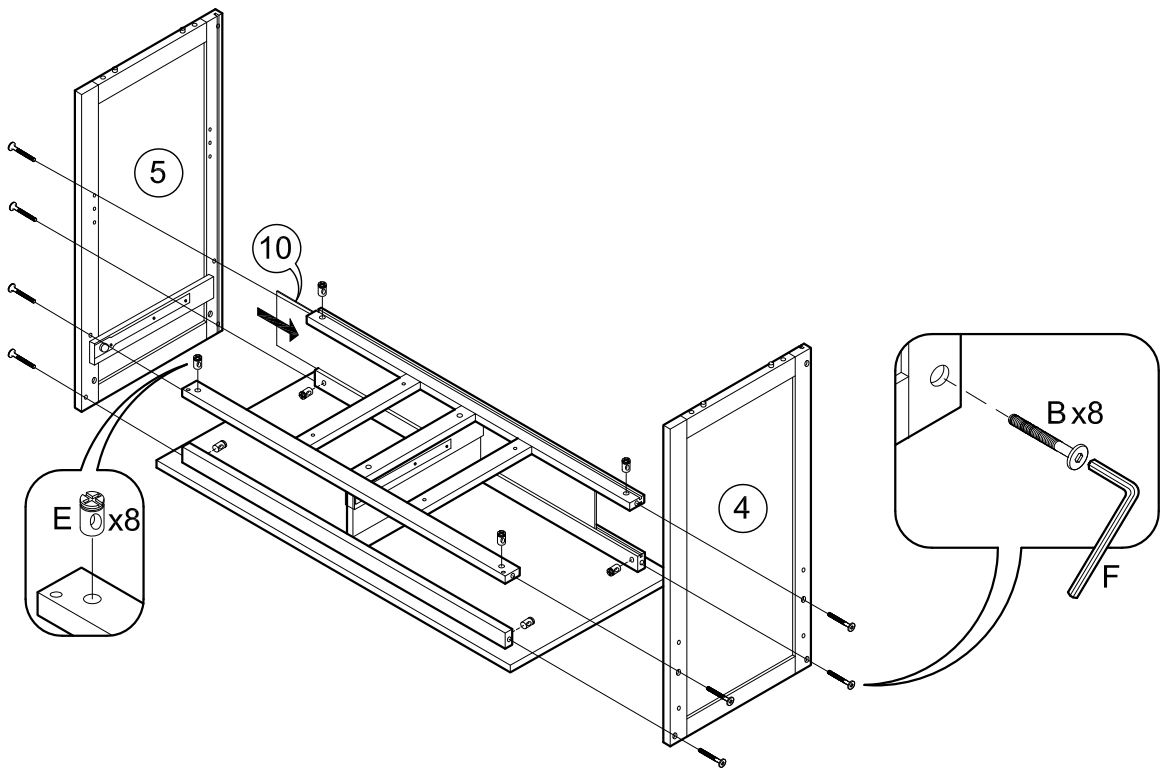
2



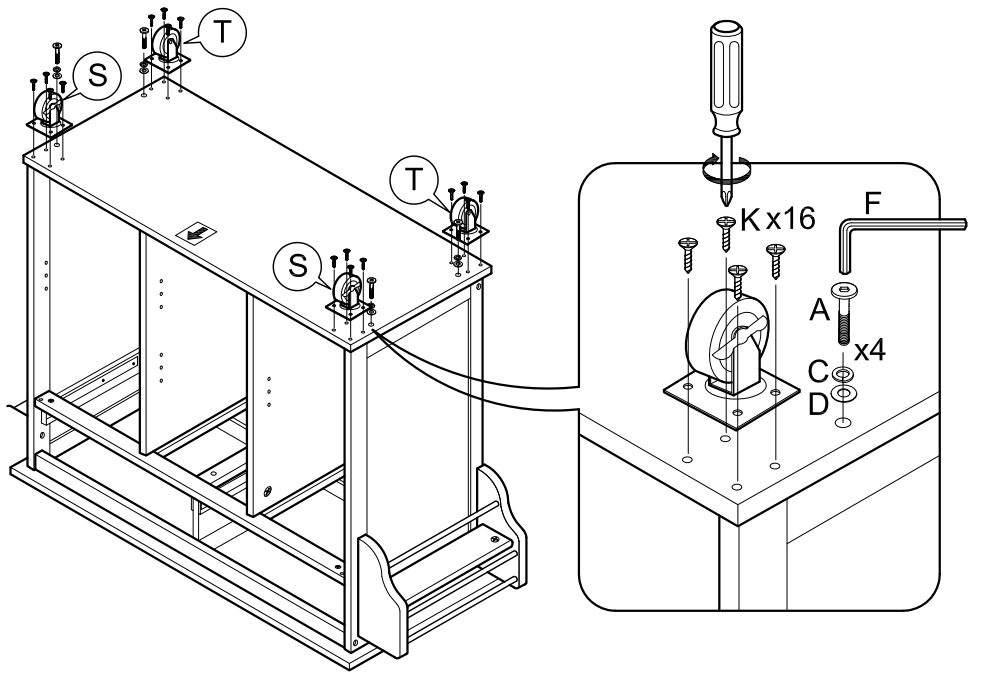
3



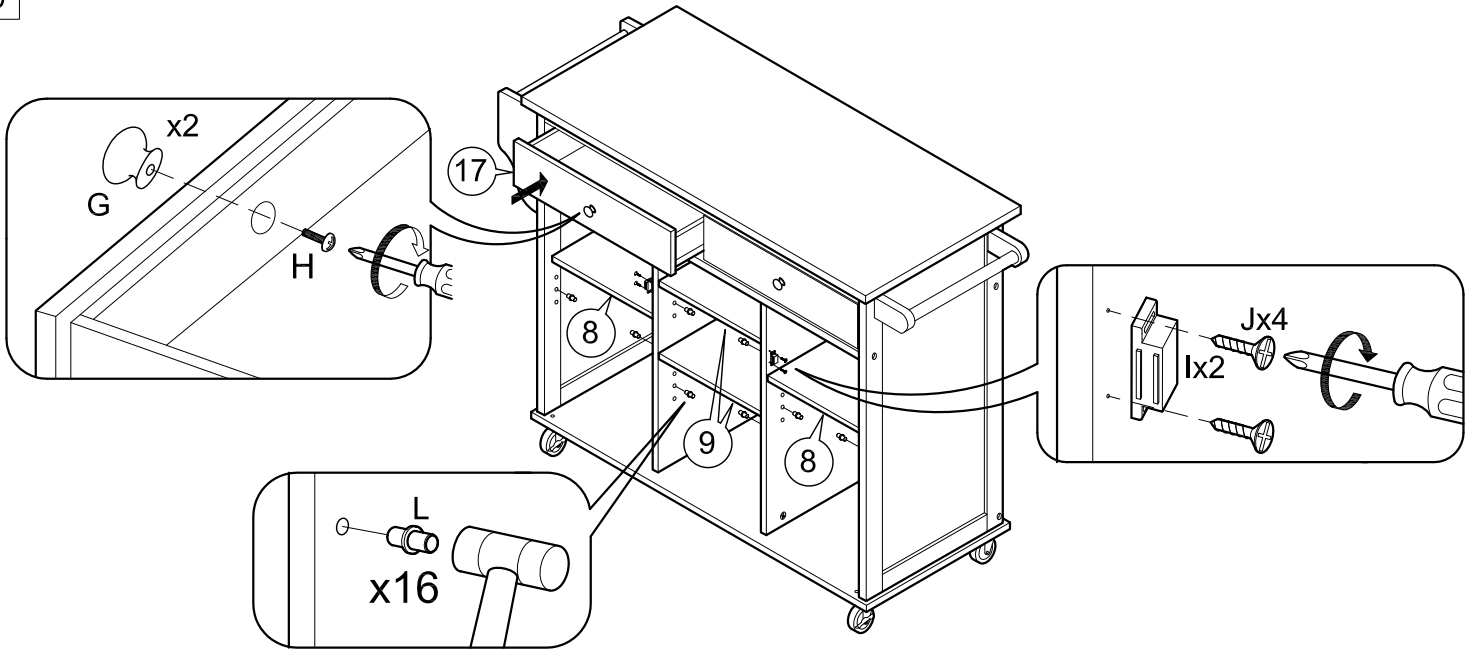
4



8



9



10

