

ASSEMBLY INSTRUCTION







MODEL : 317P

Read this instruction carefully. Remove all wrapping material, staples and straps from the carton.
See hardware and furniture part list
For guidance. Be sure you have all wooden furniture parts on a clean and flat soft surface, such as a carpet or rug, to prevent from being scratched. Follow the figure to start assembling.

CAUTION :

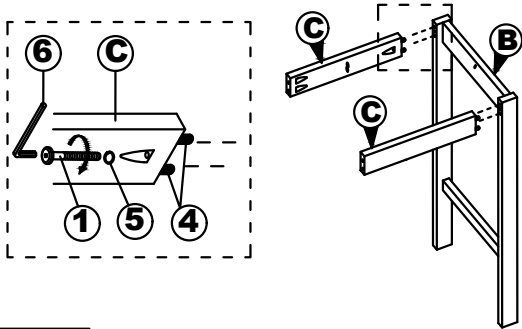
1. Do not FULLY - TIGHTEN the nut or screw until all is ready to assemble.
2. Do not OVER - TIGHTEN the nut or screw to avoid causing damages to the thread.
3. Keep all hardware part out reach of children.

| NO | PART LIST | QTY |
|----|-------------|-------|
| A | BACK REST | 1 PC |
| B | FRONT LEG | 1 PC |
| C | SIDE RAIL | 2 PCS |
| D | WOODEN SEAT | 1 PC |
| E | SRETCHER | 2 PCS |

| NO | DESRPTION | QTY |
|----|--|-------|
| 1 | JCBC SCREW M6 X 50MM  | 6 PCS |
| 2 | CSK SCREW M4 x 38MM  | 4 PCS |
| 3 | CSK SCREW M4 x 30MM  | 3 PCS |
| 4 | WOOD DOWEL Ø8 x 30MM  | 4 PCS |
| 5 | SPRNG WASHER M6  | 6 PCS |
| 6 | M4 ALLEN KEY  | 1 PC |

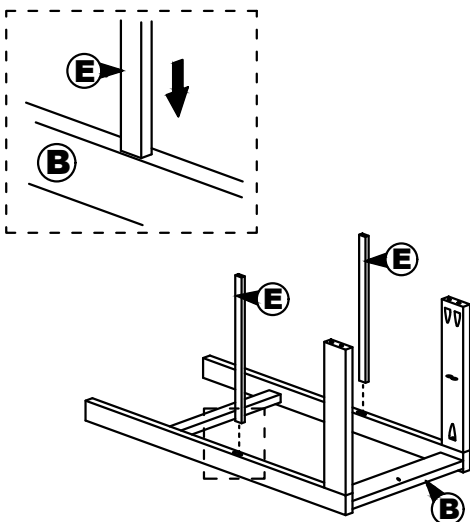
STEP 1

Attached C to B according to the hole and tighten it using hardware number 1, 4, 5 and 6.



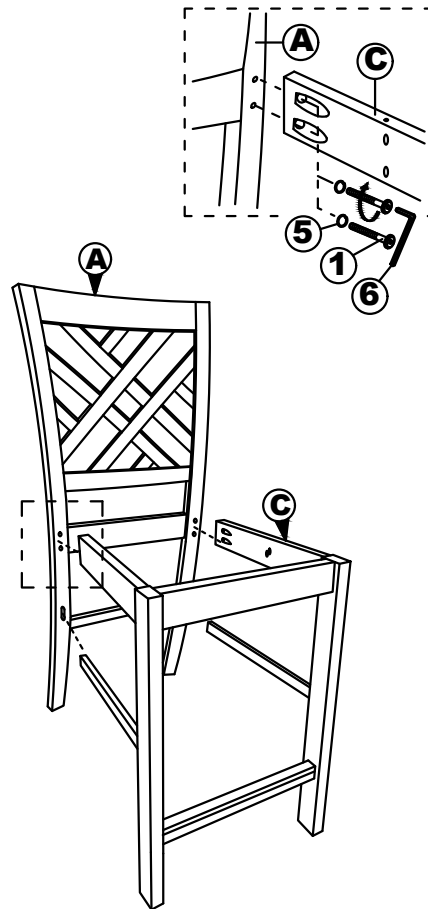
STEP 2

Align E with B accordingly.



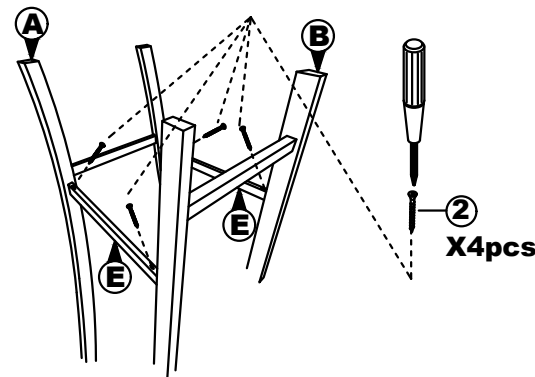
STEP 3

Proceed with combine the whole part from STEP 1 and STEP 2 to A. Tighten the part of C and A using hardware number 1, 5 and 6.



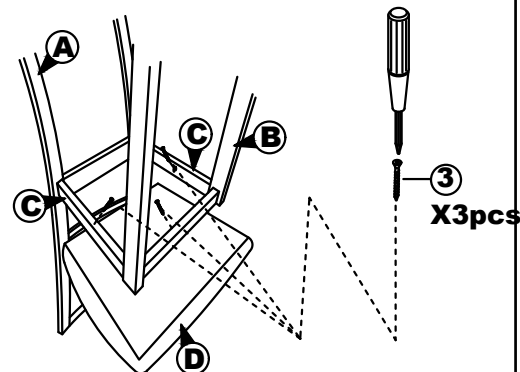
STEP 4

Fully-tighten E that stuck to A and B with hardware number 2.

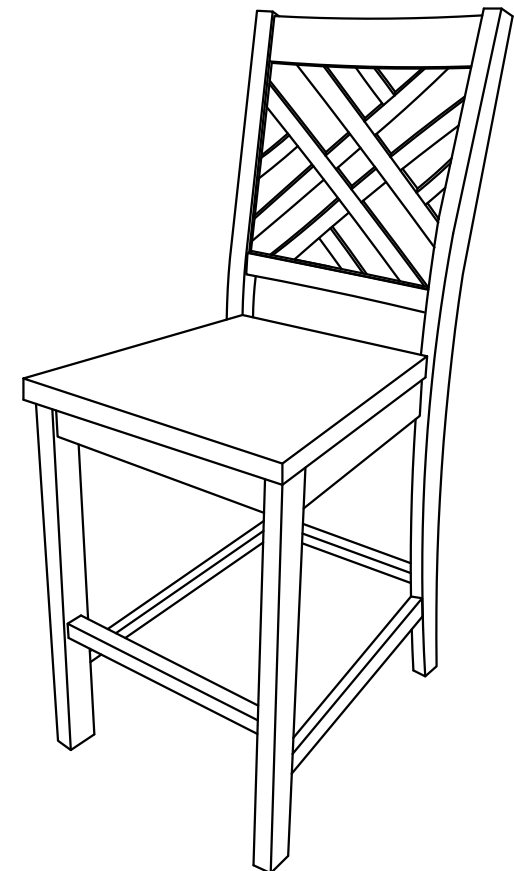


STEP 5

Stick D to the whole assemble part and fully-tighten it with hardware number 3.



STEP 5



COMPELETE ASSEMBLE