
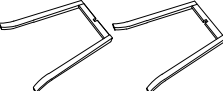
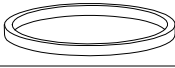





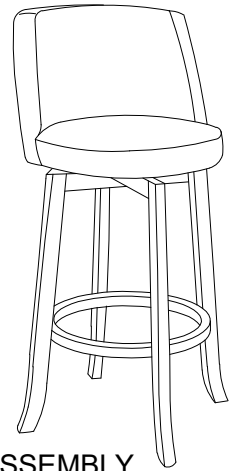


# ASSEMBLY INSTRUCTIONS

MODEL : RDC 782

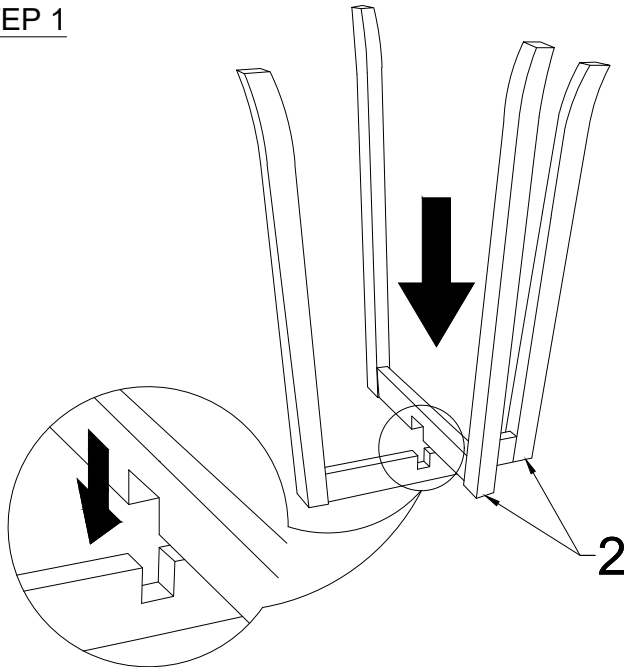
ITEM	PART NAME	QTY
1	Cushion Seat 	1 PC
2	Leg 	2 PCS
3	Apron 	1 PC
4	Swivel Metal Plate 	1 PC

ITEM	HARDWARE NAME	DESCRIPTION	QTY
A	JCBC Bolt M6 x 40mm		12 PCS
B	Spring Washer M6		12 PCS
C	Flat Washer M6		12 PCS
D	Allan Key M4		1 PC

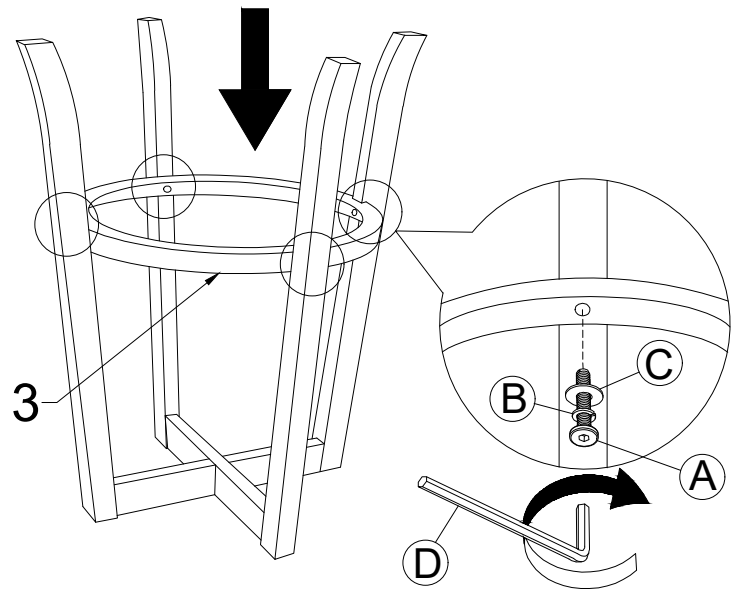


FULLY ASSEMBLY

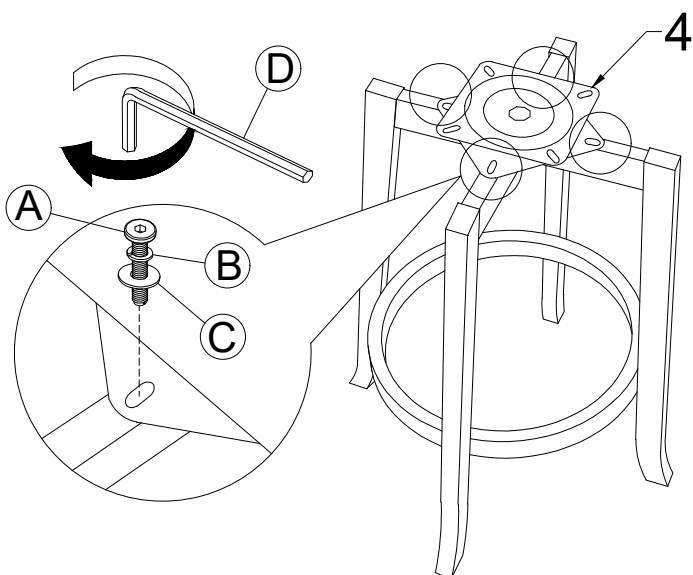
## STEP 1



## STEP 2



## STEP 3



## STEP 4

