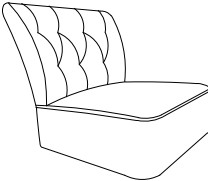
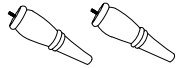
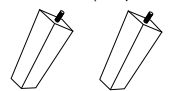




ASSEMBLY INSTRUCTIONS

MODEL : RAC 515

| ITEM | PART NAME | QTY |
|------|---|-------|
| 1 | CUSHION SEAT  | 1 PC |
| 2 | FRONT LEG  | 2 PCS |
| 3 | BACK LEG (R=1pc & L=1pc)  | 2 PCS |

| ITEM | HARDWARE NAME | DESCRIPTION | QTY |
|------|-------------------------|---|-------|
| A | PLASTIC WASHER |  | 4 PCS |
| B | CSK SCREW M4 x 38 mm |  | 2 PCS |

