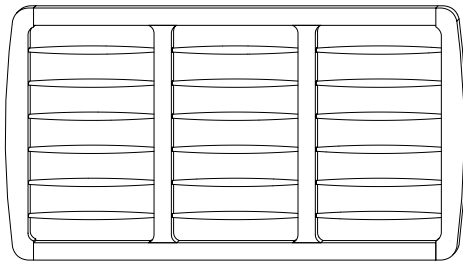


# 9749 Full / Queen Headboard

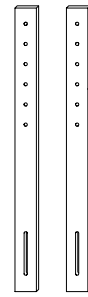
## Assembly Instructions

W11-0720

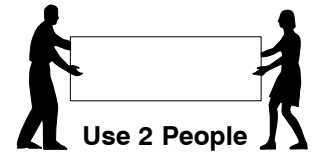
### 1 Parts List



**A**  
Headboard  
Panel x 1



**B**  
Support  
Bars x 2



### 2 Hardware List



**1** M6 x 35mm JCB  
x 10



**2** Spring Washer  
x 10



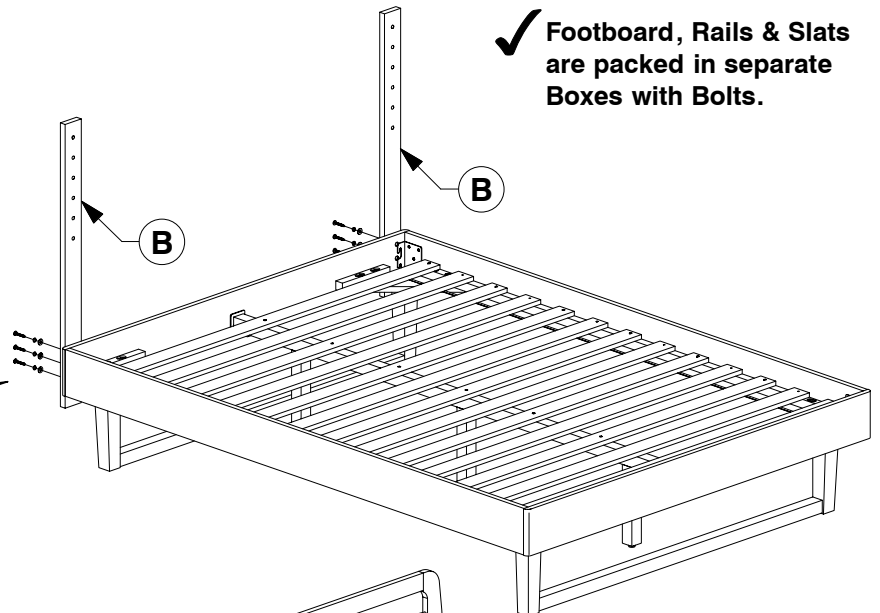
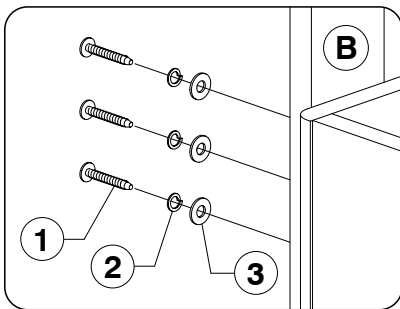
**3** Flat Washer  
x 10



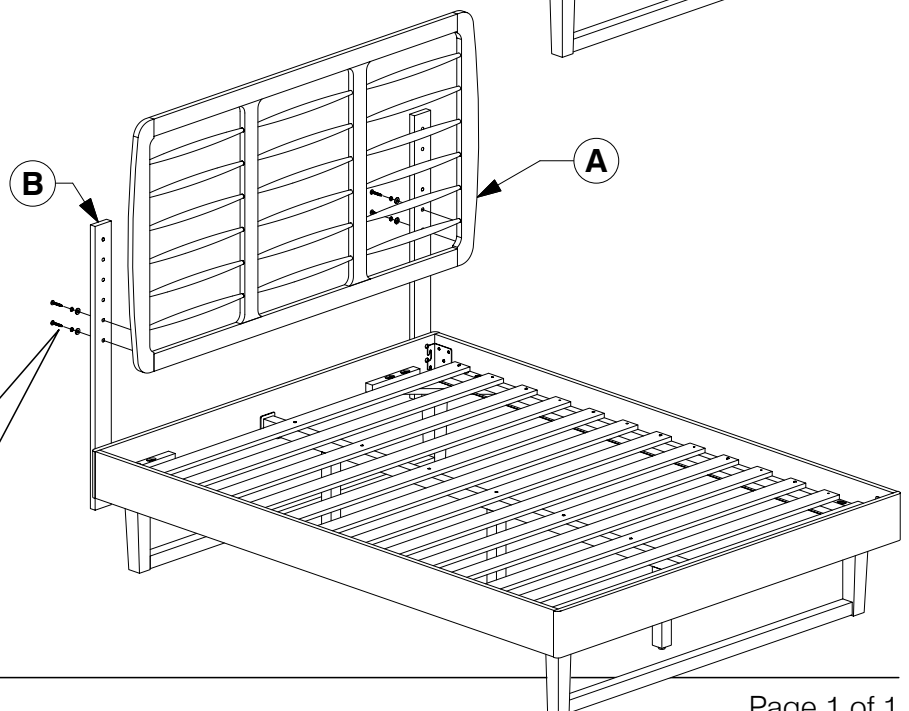
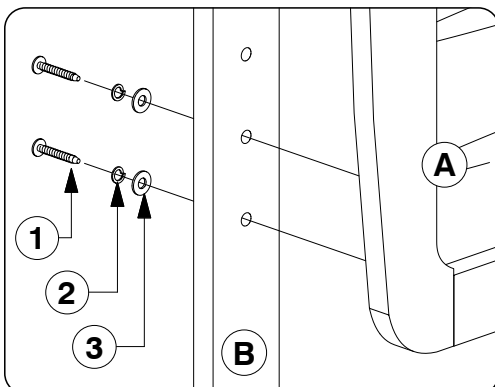
**4** Allen Key  
x 1

**Note:** Do not assemble  
using power tools.  
This can cause the bolts  
to be overtightened

### 3 Assemble the Support Bars (B) to the Headboard Panel.



### 4 Assemble the Headboard Panel (A) to the Support Bars (B).

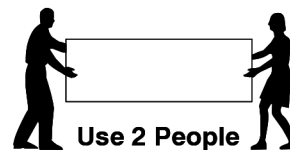
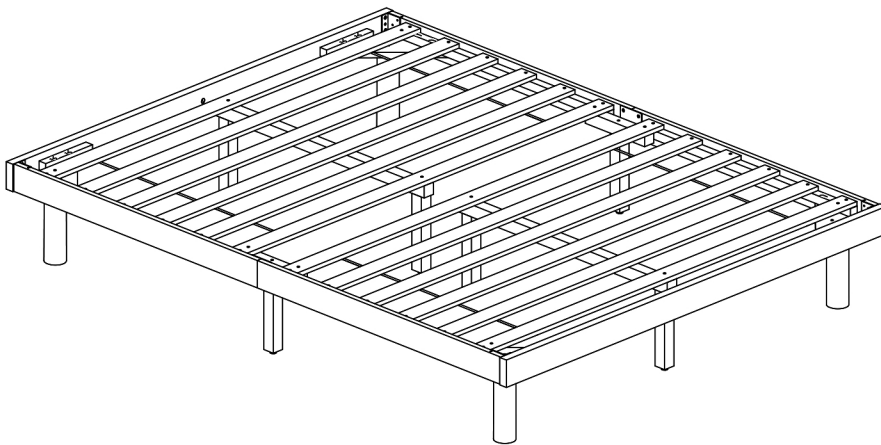


# 0082 S Full Bed

Assembly Instructions

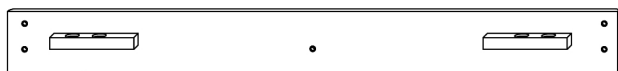
WI-0521

## 1 Assembled View



**Note: Do not assemble using power tools. This can cause the bolts to be overtightened**

## 2 Parts List



**A** Head / Footboard Panel x 2



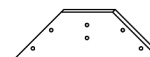
**D**

Post x 4



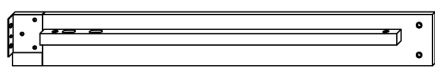
**E**

Support Leg x 6



**F**

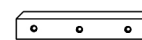
Support Panel x 4



**B** Side Rail (Left Hand) x 2



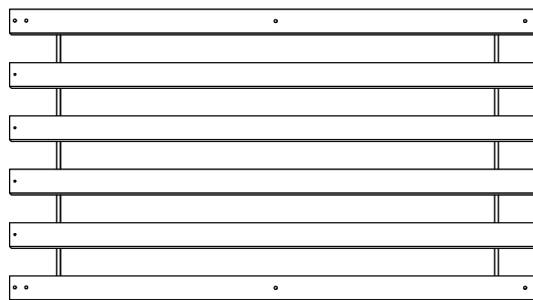
**G** Long Support x 2



**H** Support Bar x 2



**C** Side Rail (Right Hand) x 2



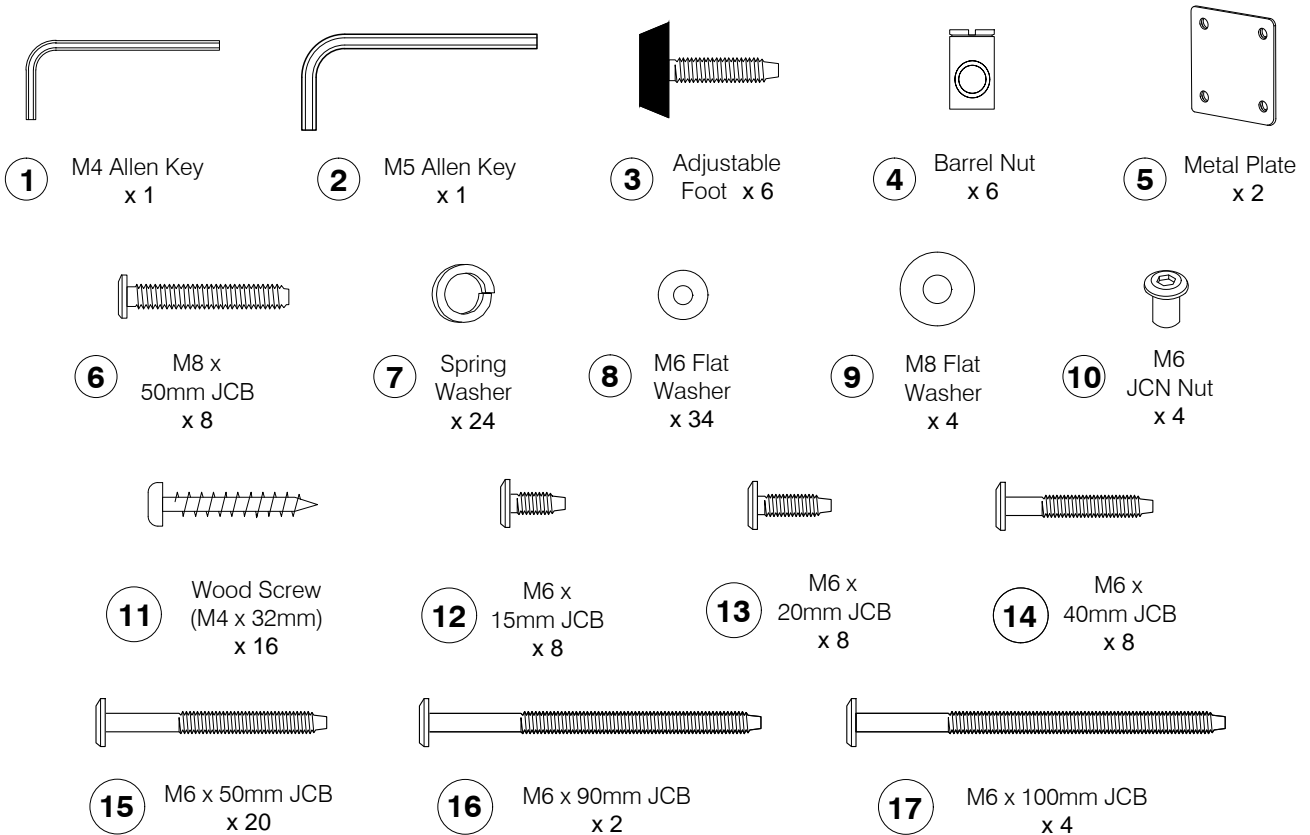
**J** Set of Bed Slats x 2

# 0082 S Full Bed

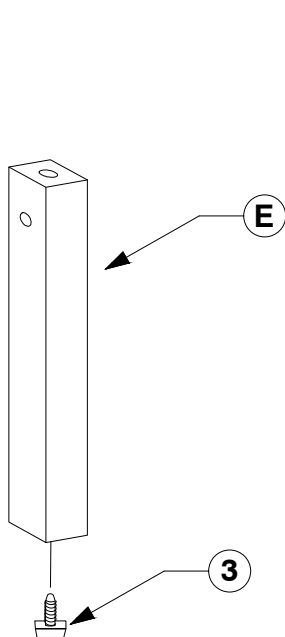
## Assembly Instructions

WI-0521

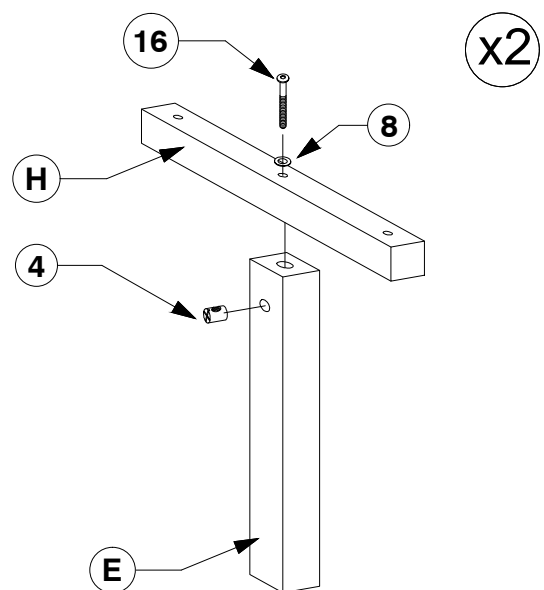
### 3 Hardware List



### 4 Fit the Adjustable foot to the bottom of the Support Leg (E).



### 5 Fit the Support Bar (H) to the Support Leg (E).



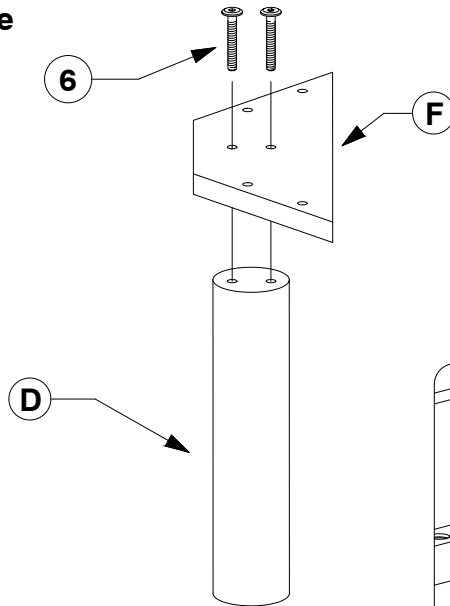
# 0082 S Full Bed

Assembly Instructions

WI-0521

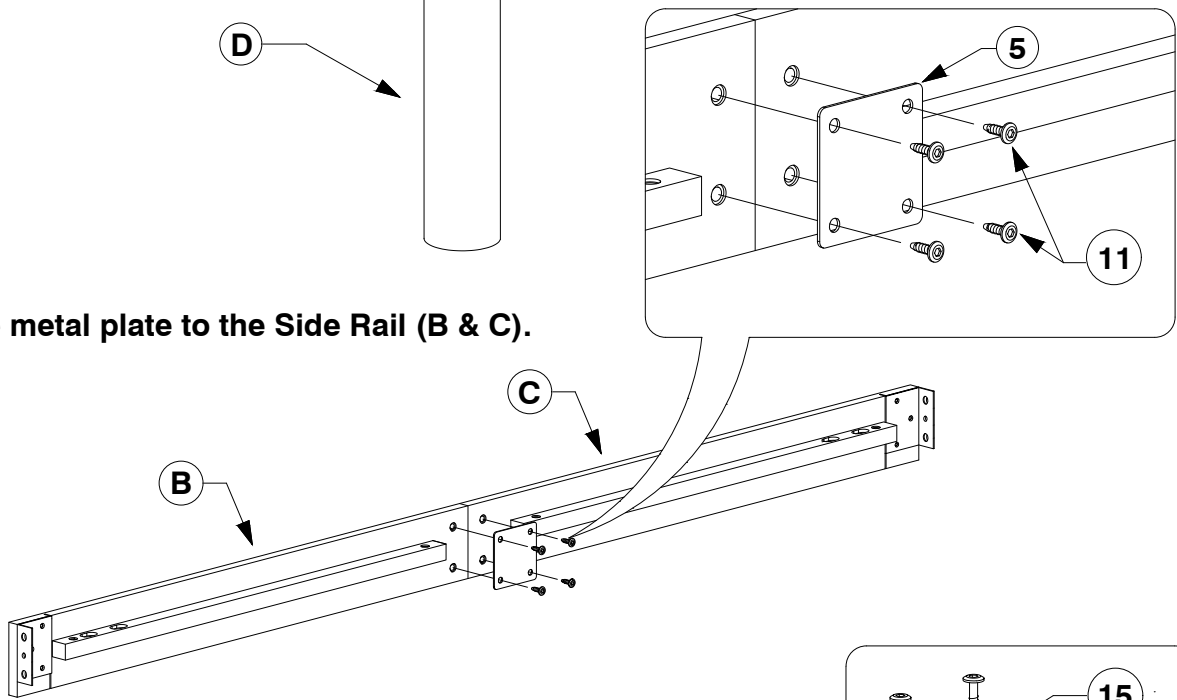
- 6** Fit the Post (D) to the Support Panel (F).

x4



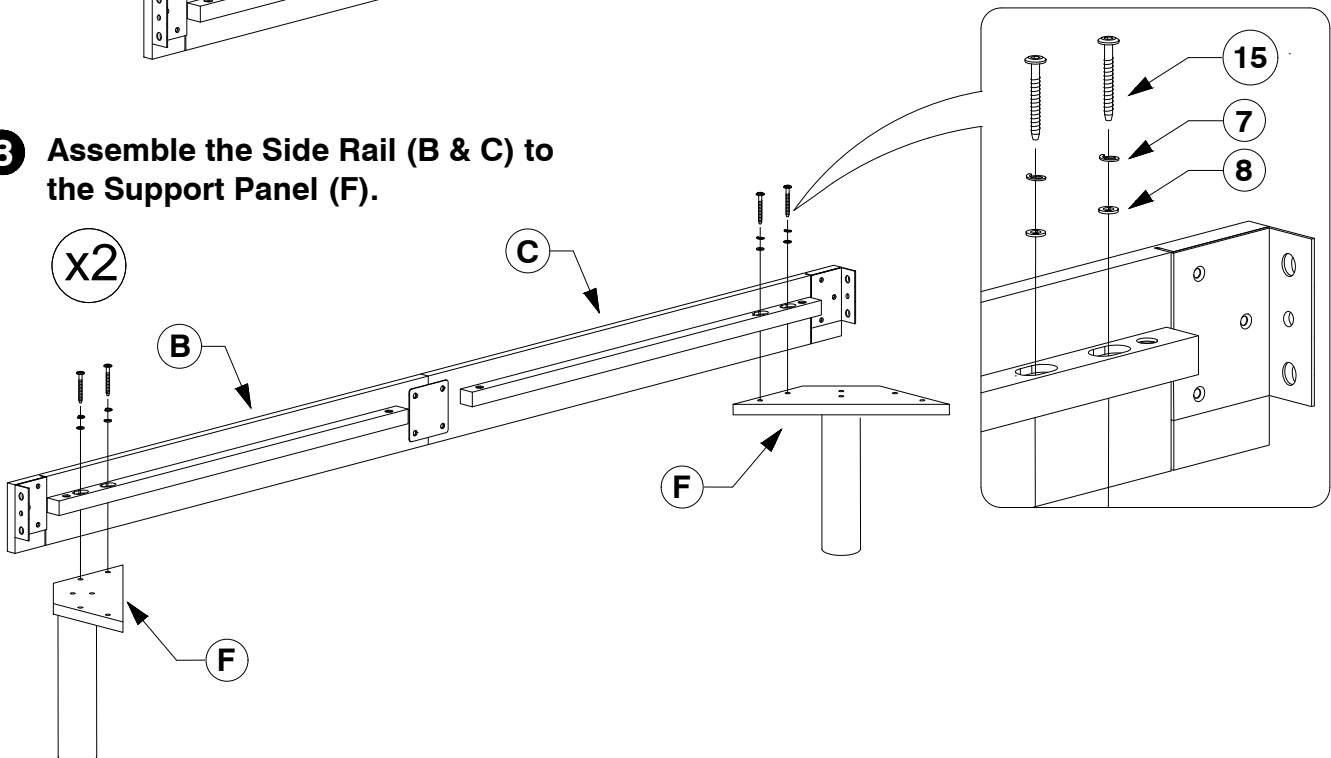
- 7** Fit the metal plate to the Side Rail (B & C).

x2



- 8** Assemble the Side Rail (B & C) to the Support Panel (F).

x2

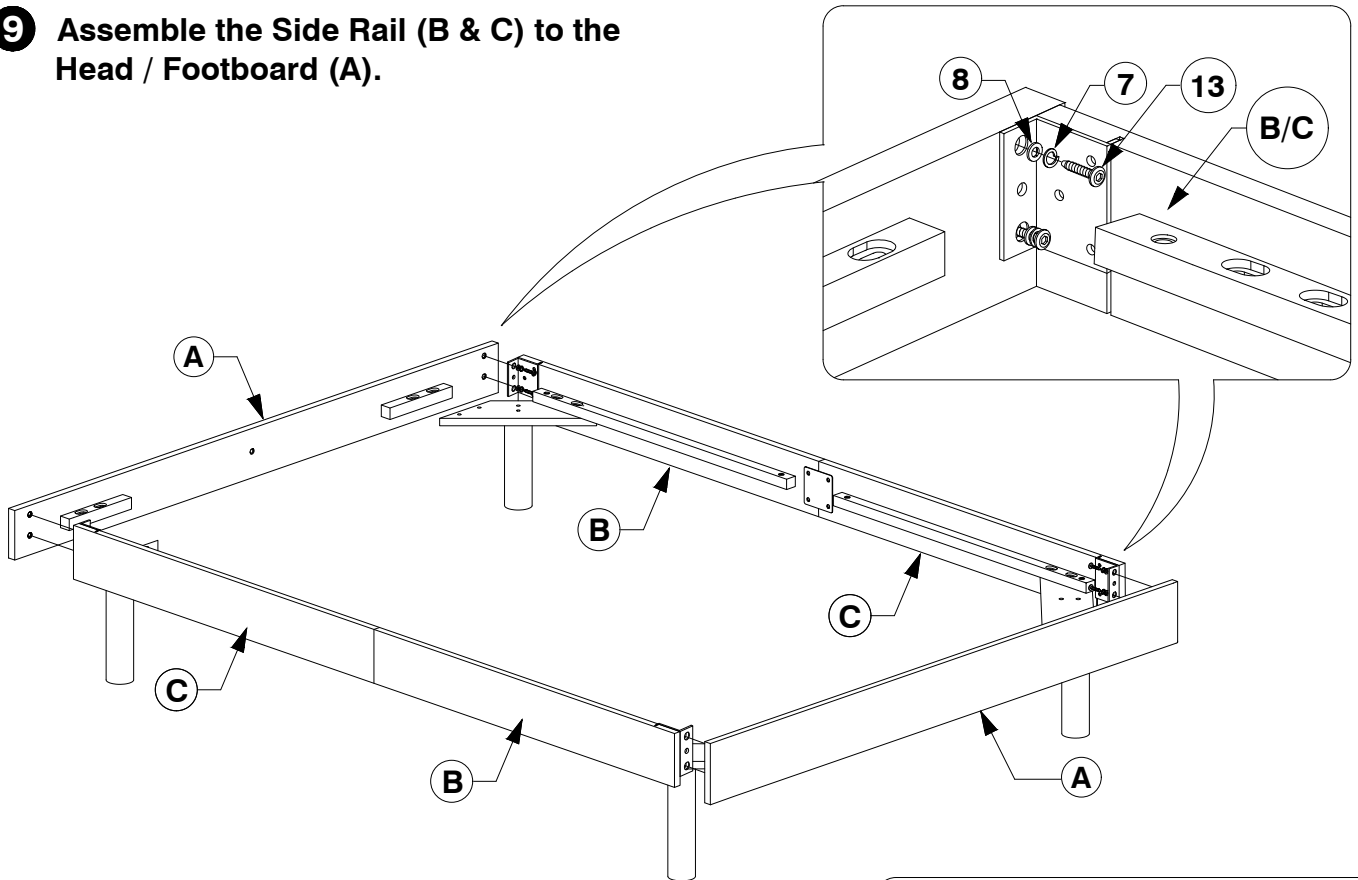


# 0082 S Full Bed

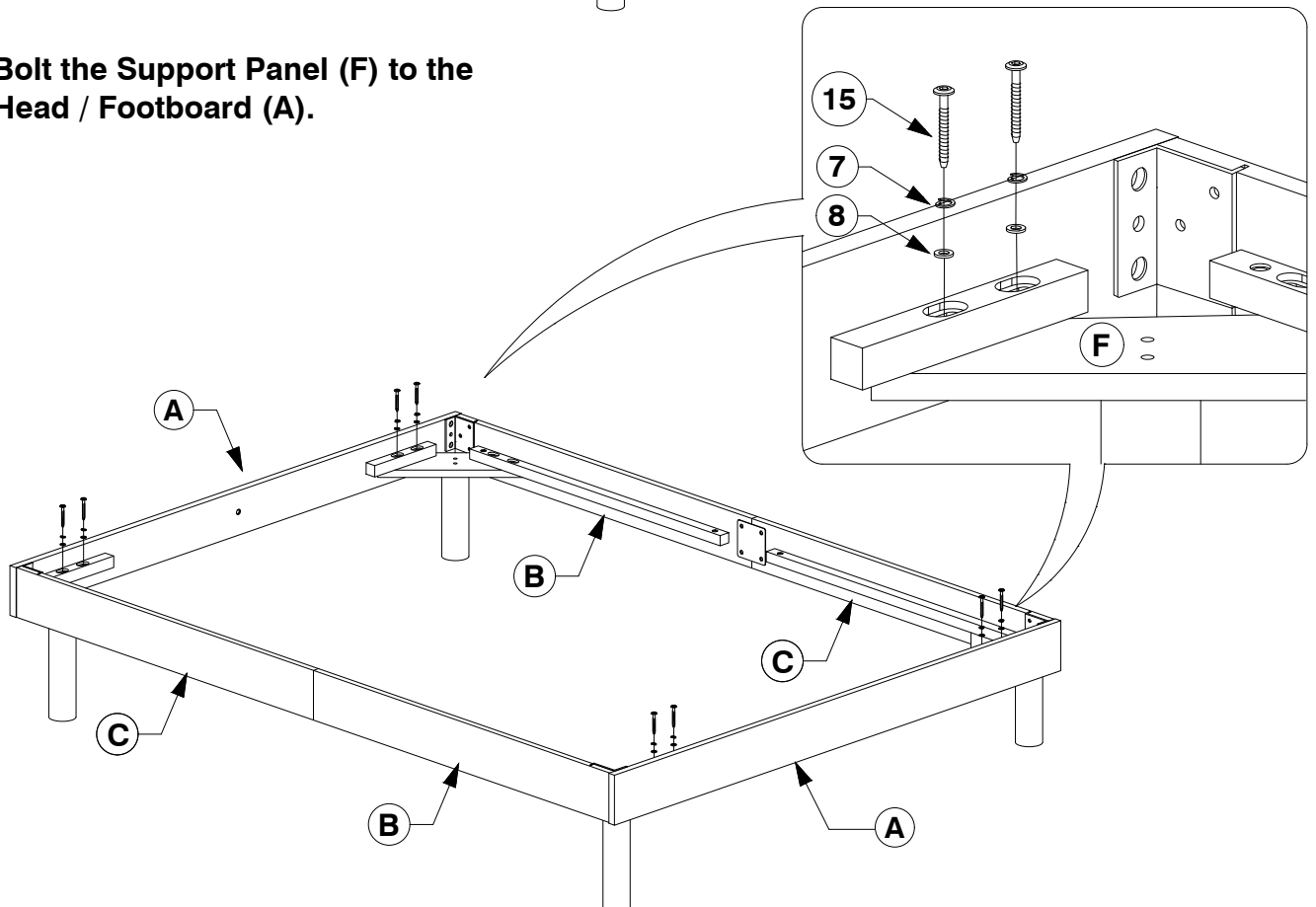
Assembly Instructions

WI-0521

- 9** Assemble the Side Rail (B & C) to the Head / Footboard (A).



- 10** Bolt the Support Panel (F) to the Head / Footboard (A).

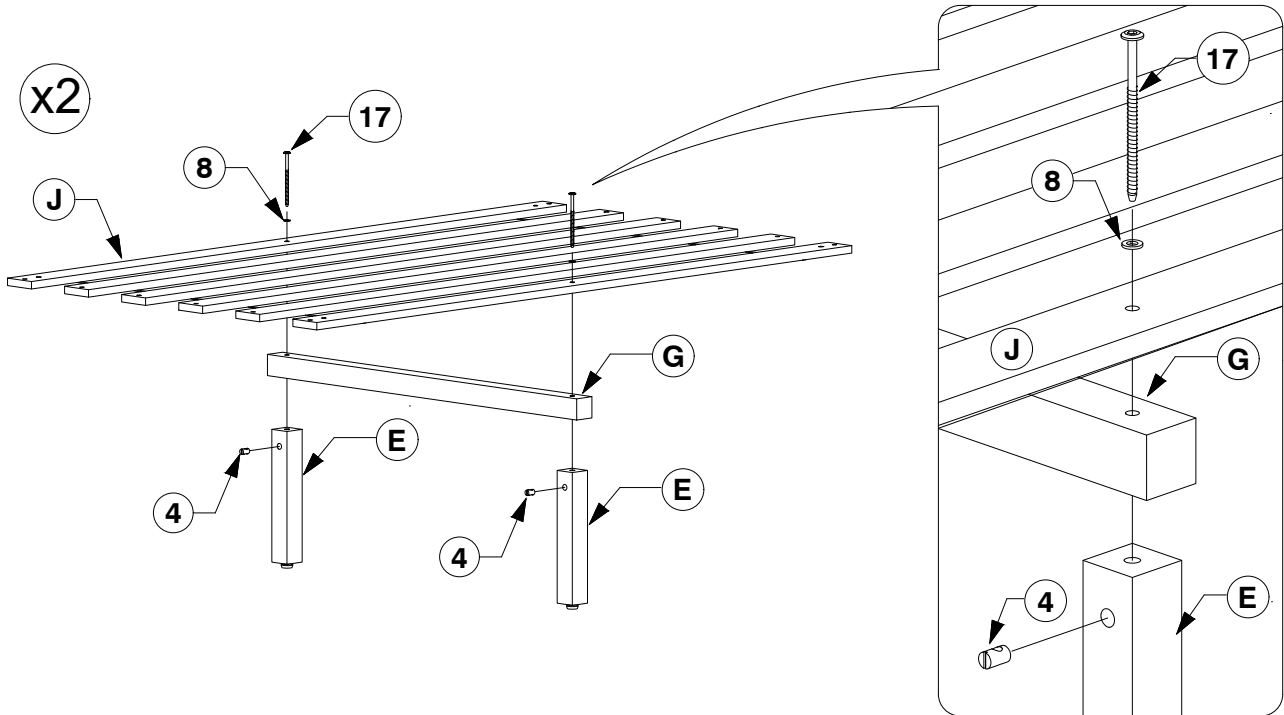


# 0082 S Full Bed

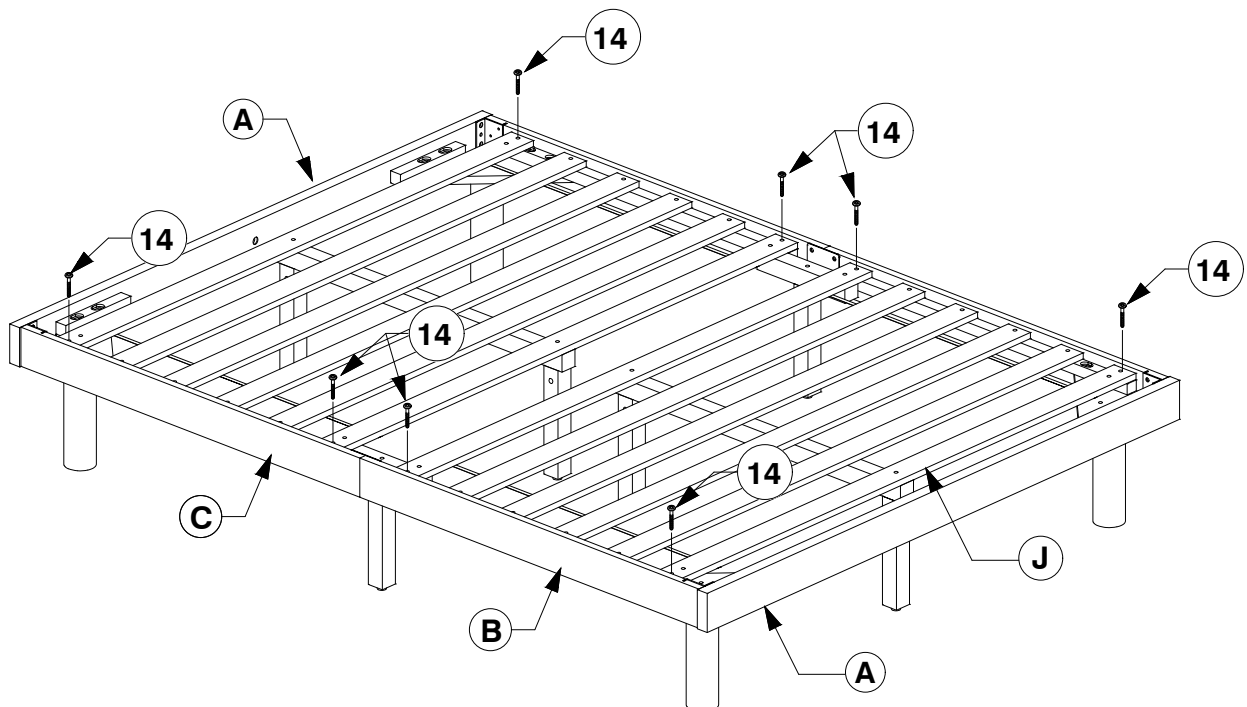
Assembly Instructions

WI-0521

- 11** Fix the Slats (J) to the Long Support (G) & Support Leg (E).



- 12** Bolt the Bed Slat (J) to the Side Rail (B & C).

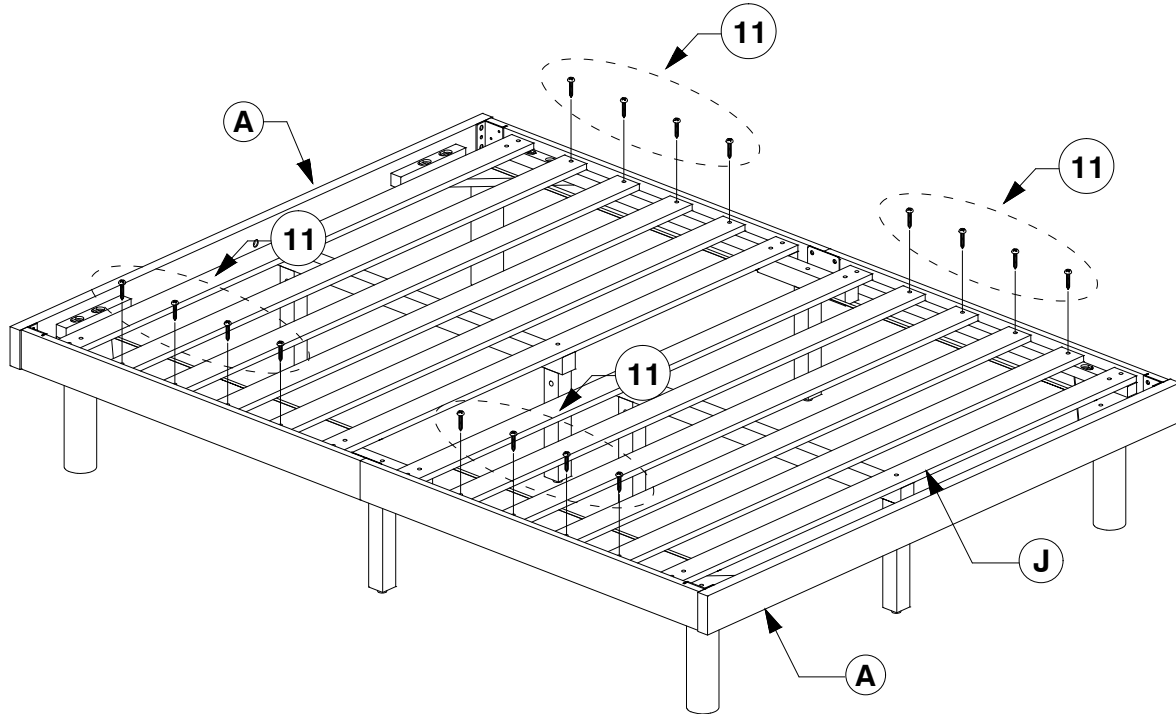


# 0082 S Full Bed

Assembly Instructions

WI-0521

- 13** Screw the Bed Slat (J) to the Side Rail (B & C).



- 14** Lastly, fit the Support Bar (H) in place.

