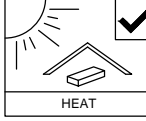




SOFT, DRY CLOTH



CHEMICAL



HEAT



KEEP DRY



HANDLE WITH CARE



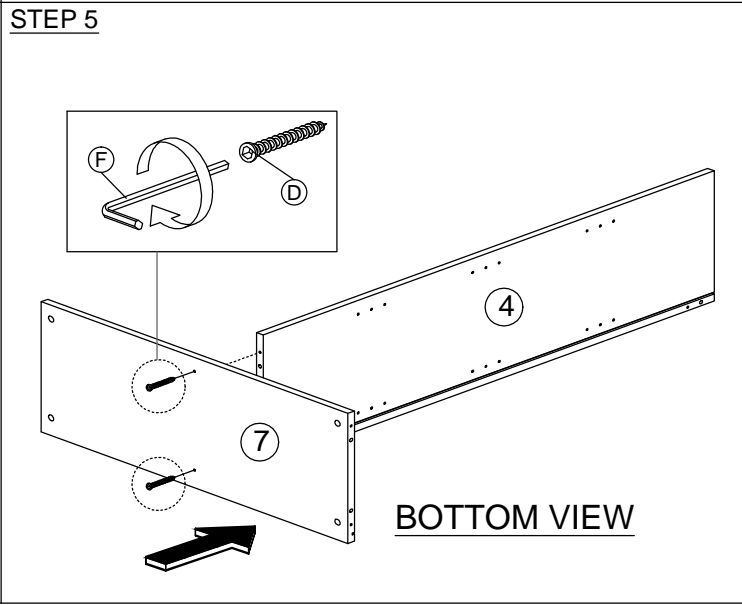
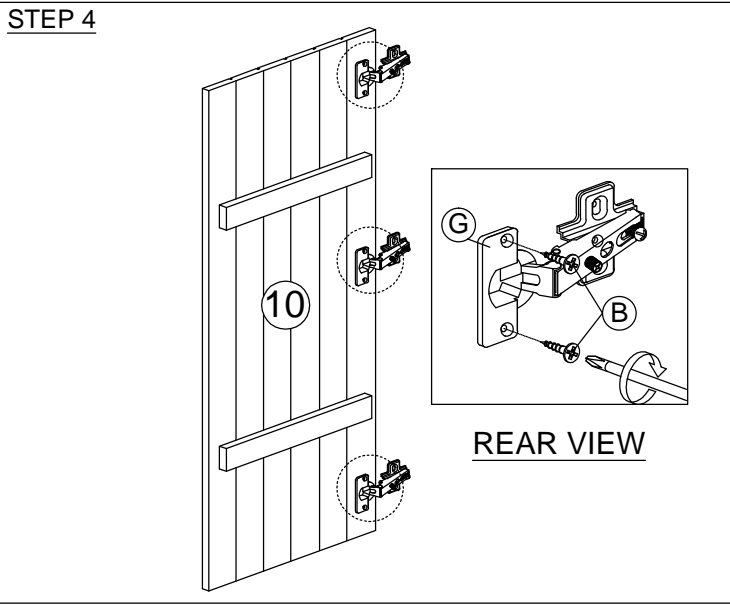
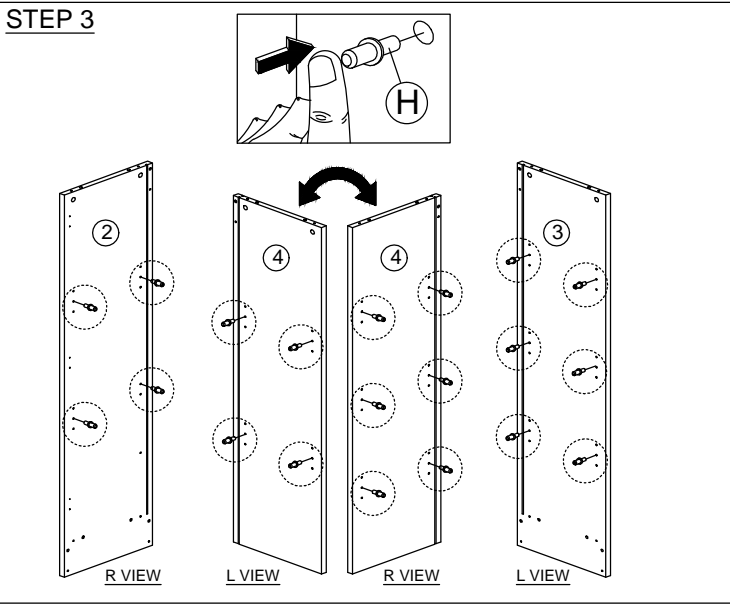
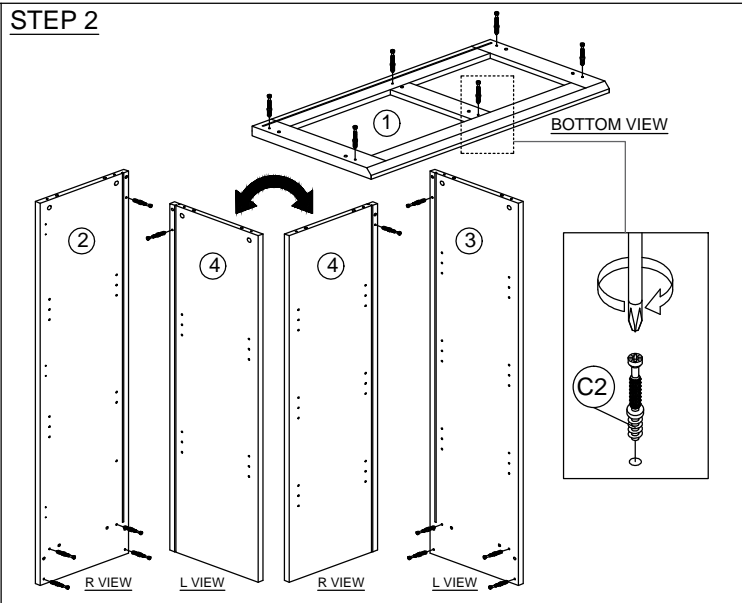
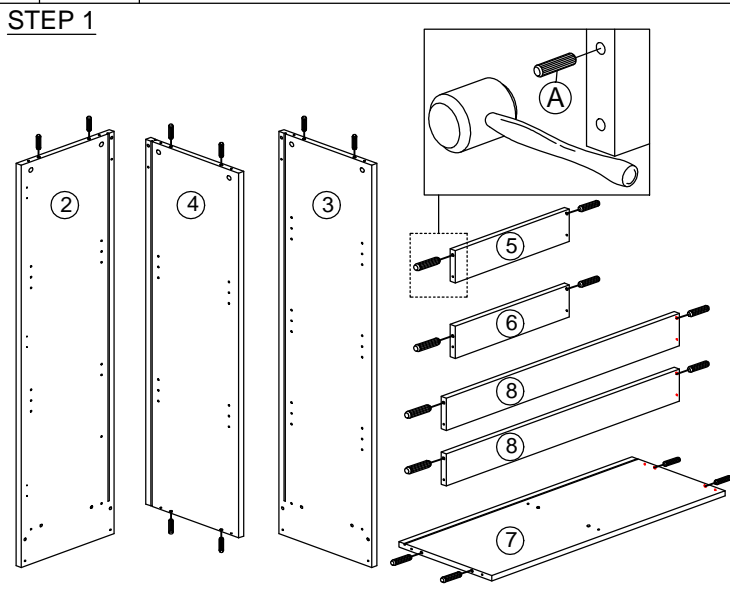
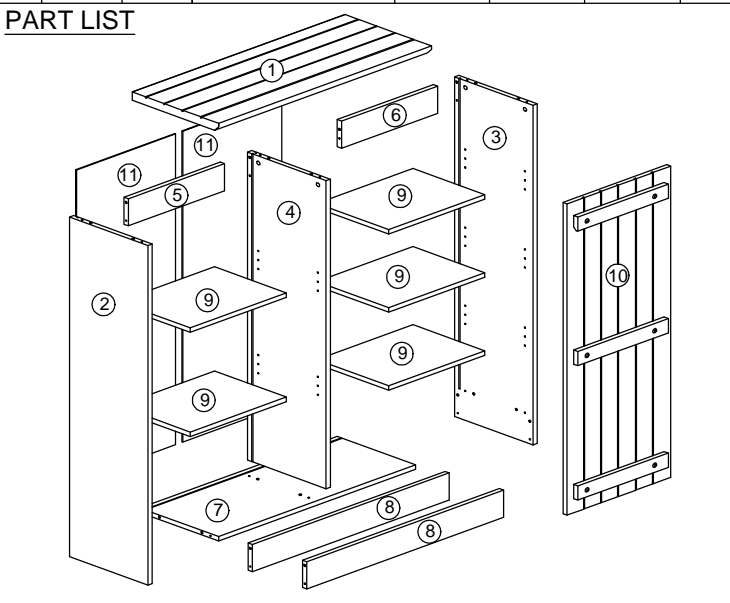
DO NOT USE KNIFE

ASSEMBLY INSTRUCTION

MODEL : PL-MC80325

DESCRIPTION : MULTIPURPOSE CABINET WITH 1 DOOR

HARDWARE	A	B	C	D	E	F	G	H									
WOOD DOWEL M8 X 25MM	20	CB SCREW M3.5X16MM	12	MINIFIX 5654+5546	18 SETS	MINIFIX CAP	18	CSK CAP WOOD M6X40MM	2	PVC NAIL WITH PIN 5/8	6	L KEY M4	1	HINGES 5/8	3	SHELF SUPPORT	20

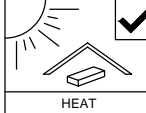




SOFT, DRY CLOTH



CHEMICAL



HEAT



KEEP DRY



HANDLE WITH CARE



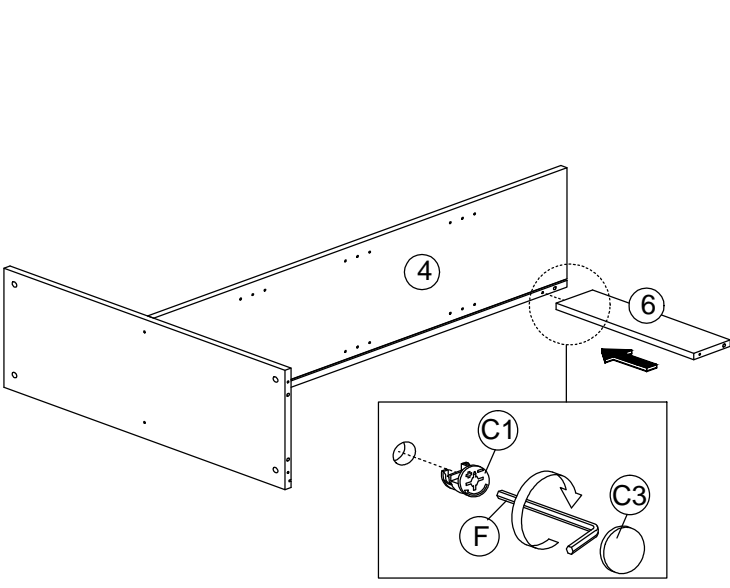
DO NOT USE KNIFE

ASSEMBLY INSTRUCTION

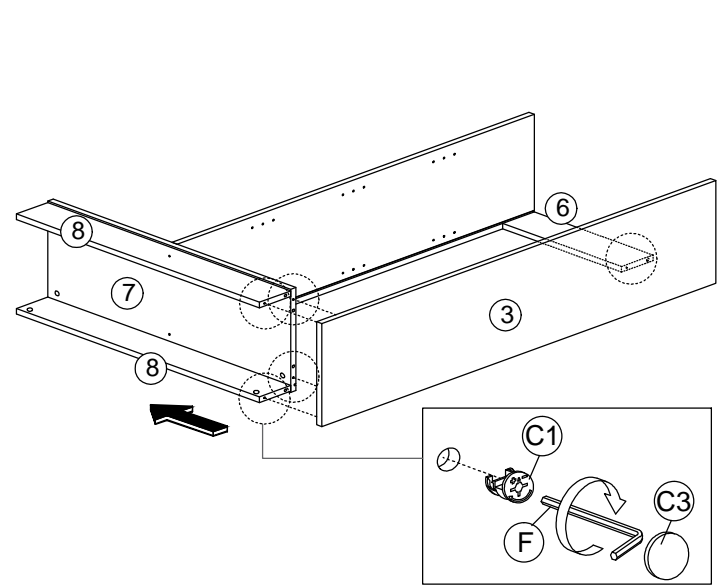
MODEL : PL-MC80325

DESCRIPTION : MULTIPURPOSE CABINET WITH 1 DOOR

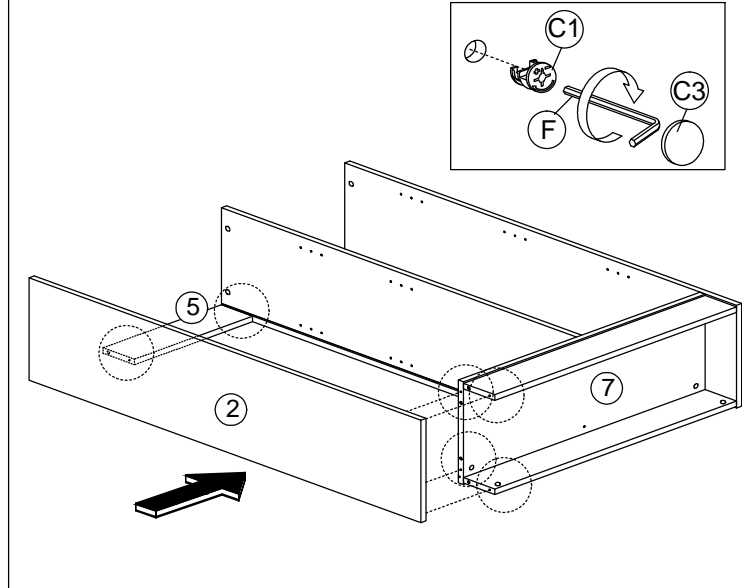
STEP 6



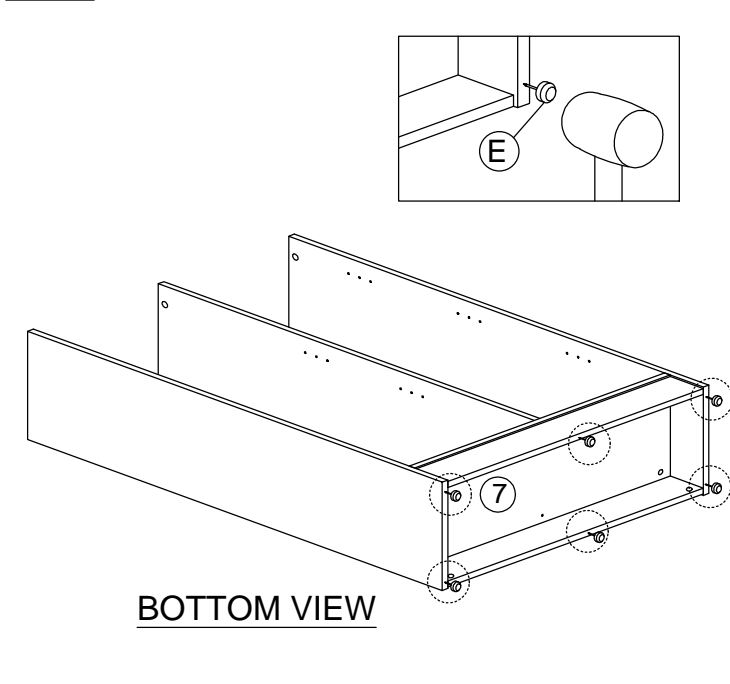
STEP 7



STEP 8

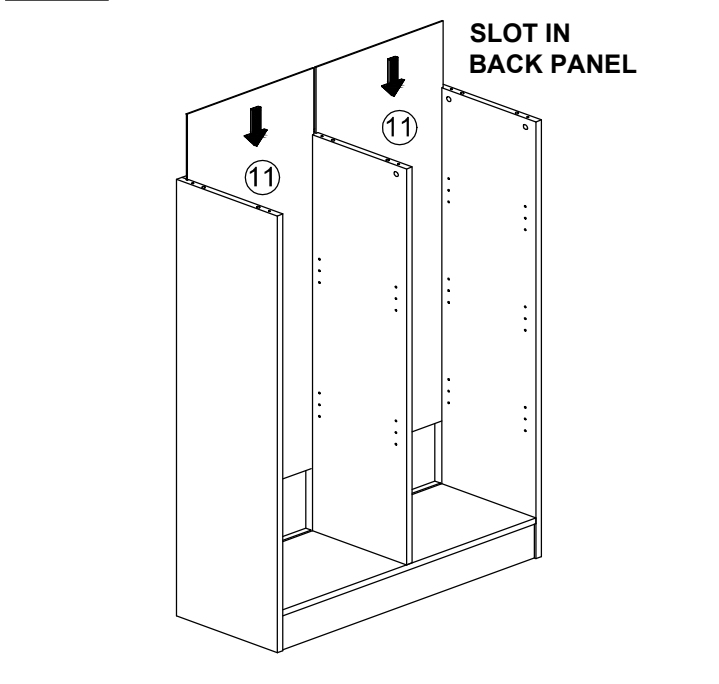


STEP 9

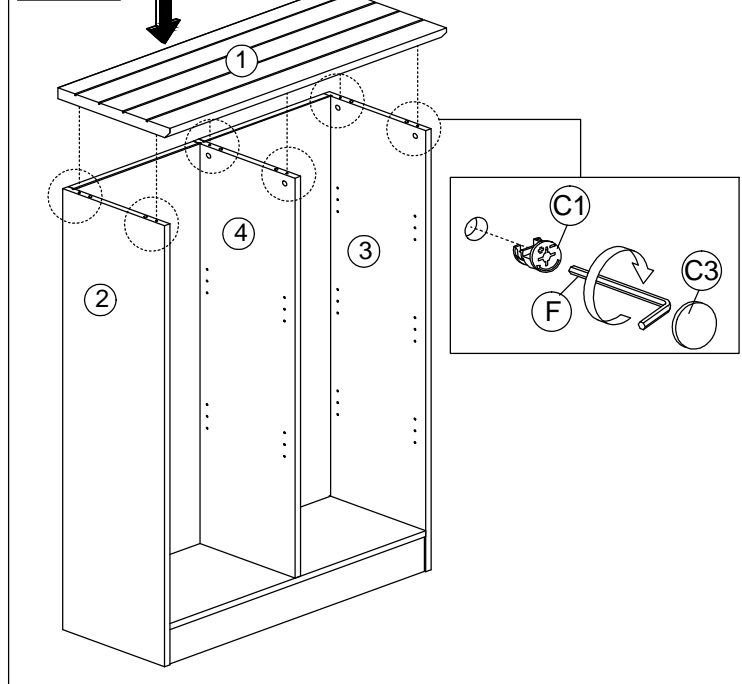


BOTTOM VIEW

STEP 10

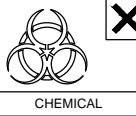


STEP 11

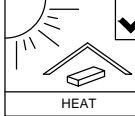




SOFT, DRY CLOTH



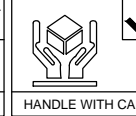
CHEMICAL



HEAT



KEEP DRY



HANDLE WITH CARE



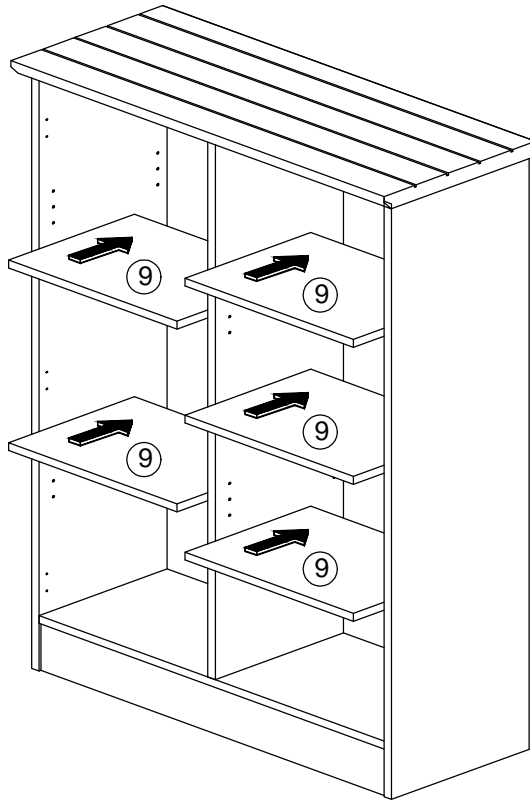
DO NOT USE KNIFE

ASSEMBLY INSTRUCTION

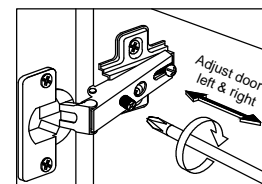
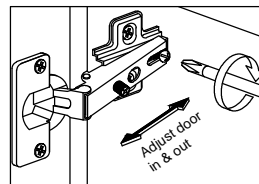
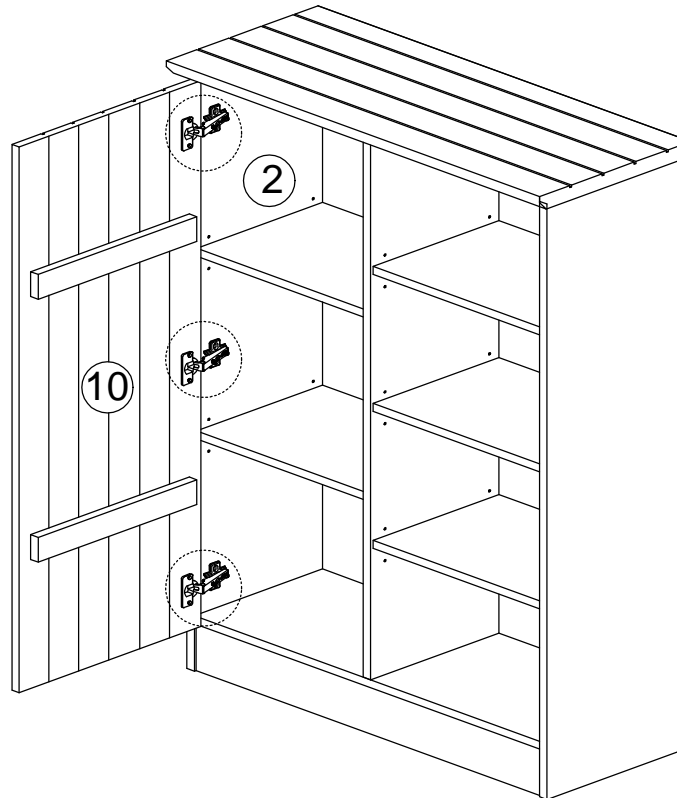
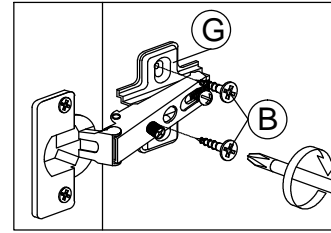
MODEL : PL-MC80325

DESCRIPTION : MULTIPURPOSE CABINET WITH 1 DOOR

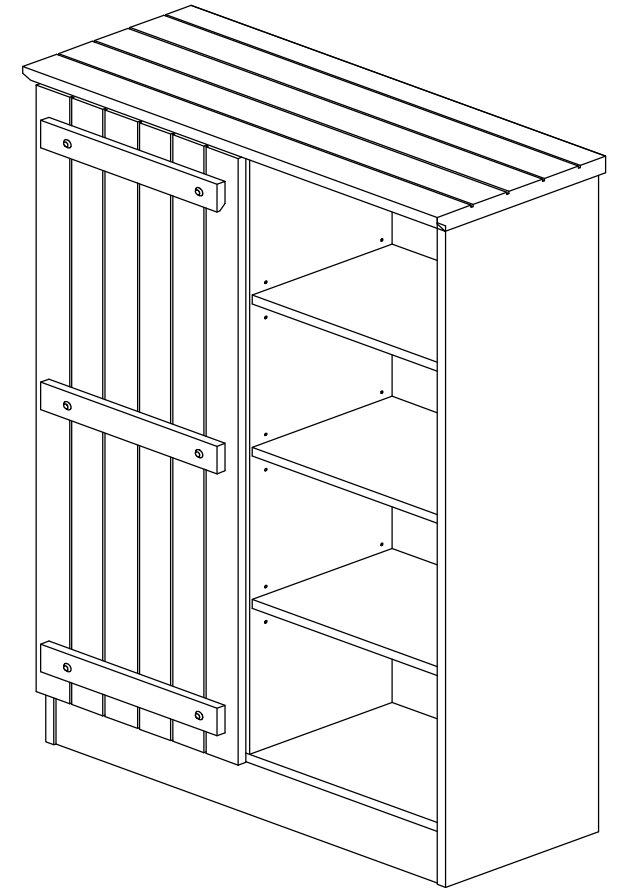
STEP 12



STEP 13



COMPLETED

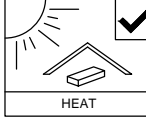




SOFT, DRY CLOTH



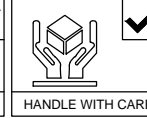
CHEMICAL



HEAT



KEEP DRY



HANDLE WITH CARE



DO NOT USE KNIFE

ASSEMBLY INSTRUCTION

MODEL : PL-MC80325

DESCRIPTION : MULTIPURPOSE CABINET WITH 1 DOOR

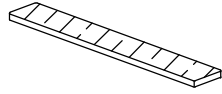
ANTI STOPPER

V



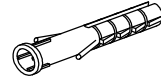
WASHER
X4

W



SAFETY STRAP
X2

X



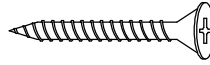
PLASTIC WALL ANCHOR-RED
X2

Y

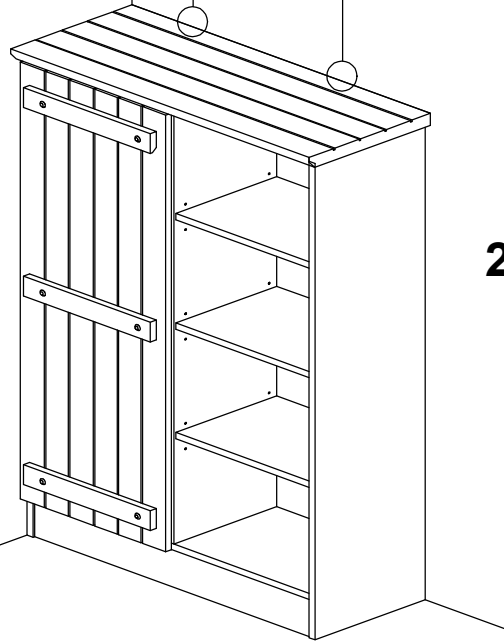


CB SCREW
M3.5X16MM
X2

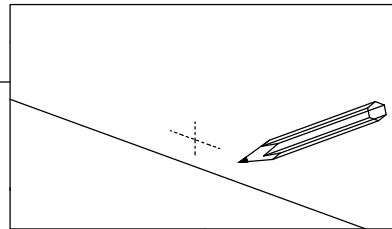
Z



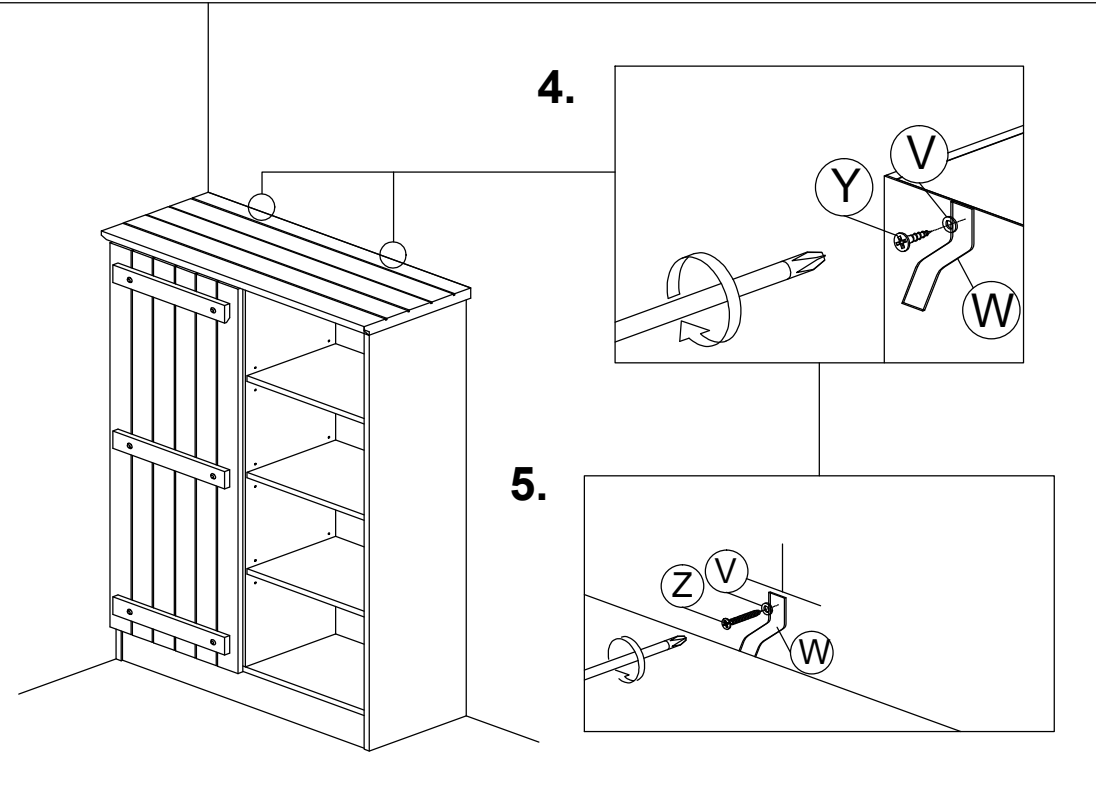
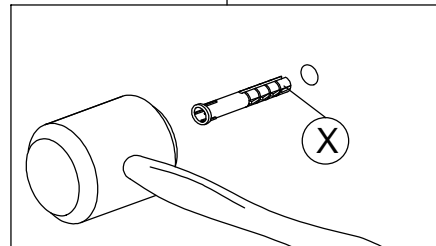
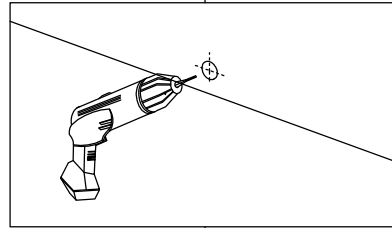
CB SCREW
M4X38MM
X2



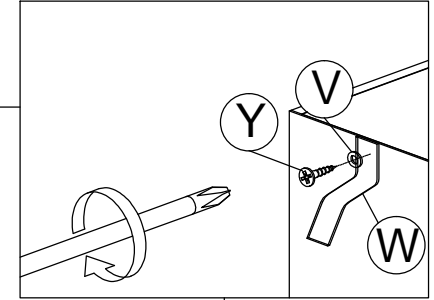
1.



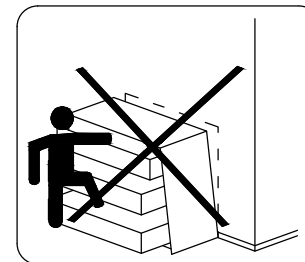
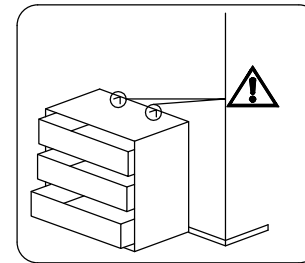
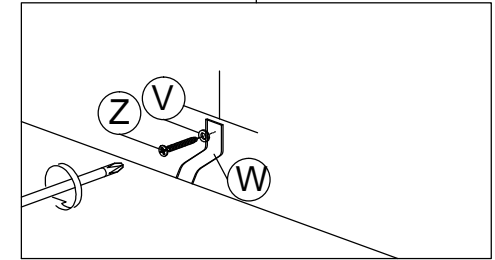
2.



4.



5.



WARNING

Serious or fatal crushing injuries can occur from furniture tipover. To help prevent tip-over:

- Install tip over restraint provided.
- Place heaviest items in the lower drawers.
- Unless specifically designed to accommodate, do not set TVs or other heavy object on top of this product.
- Never allow children to climb or hang on drawers, doors or shelves.
- Never open more than one drawer at a time.
(OR)
- Do not defeat or remove the drawer interlock system.

Use of tipover restraints may only reduce, but not eliminate, the risk of tipover.

This is a permanent label. Do not remove.