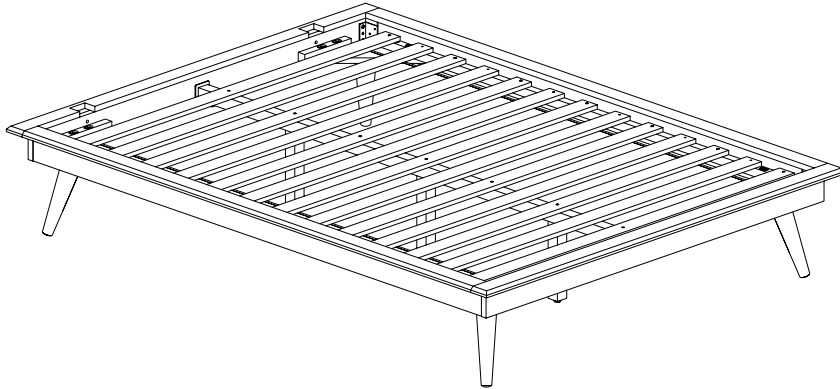


# 0004 Full Bed

## Assembly Instructions

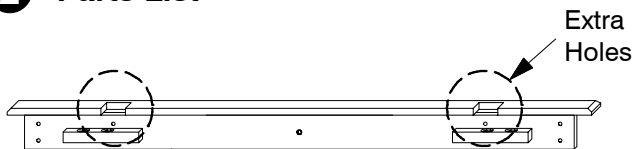
W11-0819

### 1 Assembled View

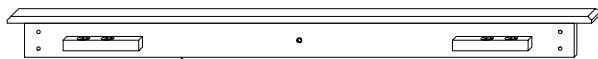


**Note:** Do not assemble using power tools. This can cause the bolts to be overtightened

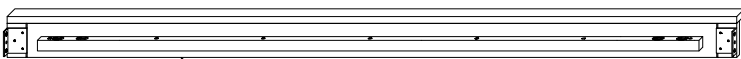
### 2 Parts List



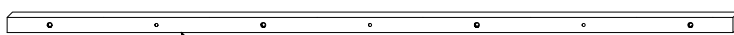
**A** Headboard Panel x 1



**B** Footboard Panel x 1



**C** Side Rail x 2



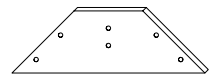
**D** Long Support x 1



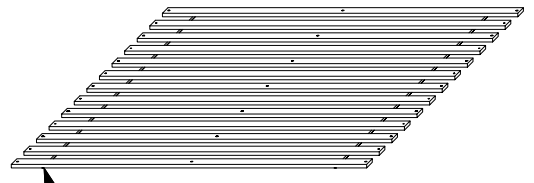
**E** Post x 4



**F** Support Leg x 3



**G** Support Panel x 4



**H** Set of Bed Slats x 1

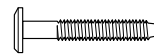
### 3 Hardware List



**1** M6 x 100mm JCB x 3



**2** M6 x 50mm JCB x 16



**3** M6 x 40mm JCB x 22



**4** M6 x 20mm JCB x 8



**5** M6 x 15mm JCB x 4



**6** M8 x 50mm JCB x 8



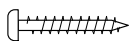
**7** Barrel Nut x 3



**8** Spring Washer x 28



**9** Flat Washer x 28



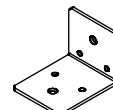
**10** Wood Screw (M4 x 32mm) x 12



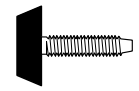
**11** M4 Allen Key x 1



**12** M5 Allen Key x 1



**13** Center Rail Bracket x 2



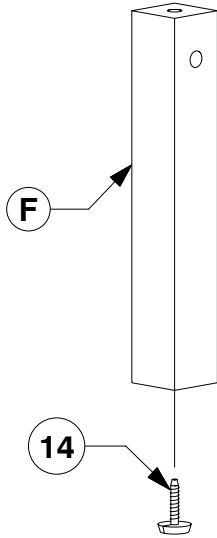
**14** Adjustable Foot x 3

# 0004 Full Bed

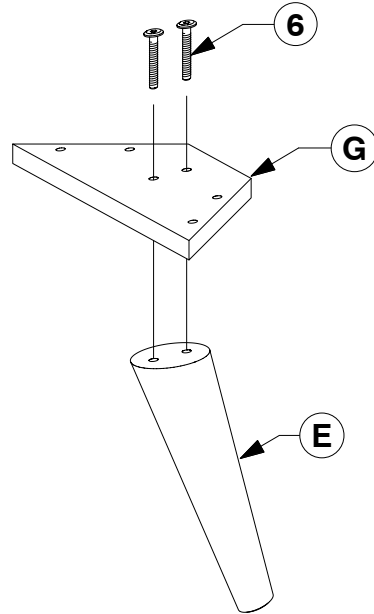
## Assembly Instructions

W11-0819

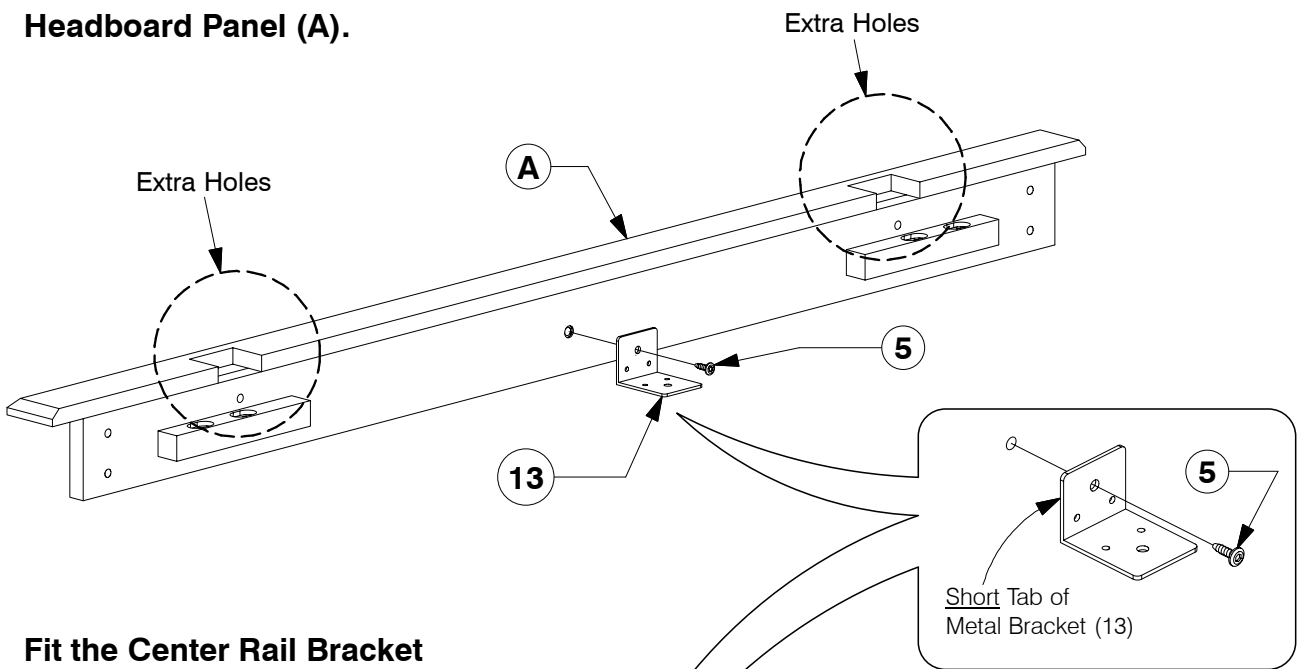
- 4** Fix the Adjustable foot to the bottom of the Support Leg (F).



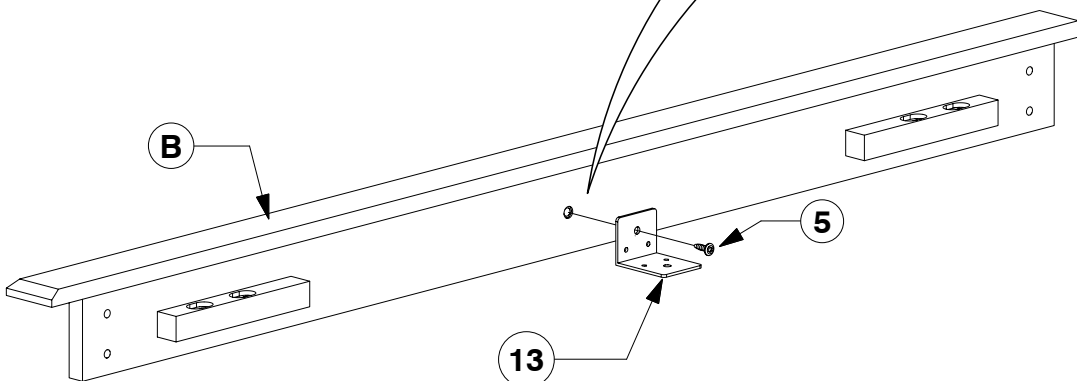
- 5** Fit the Post (E) to the Support Panel (G).



- 6** Fit the Center Rail Bracket to the Headboard Panel (A).



- 7** Fit the Center Rail Bracket to the Footboard Panel (B).

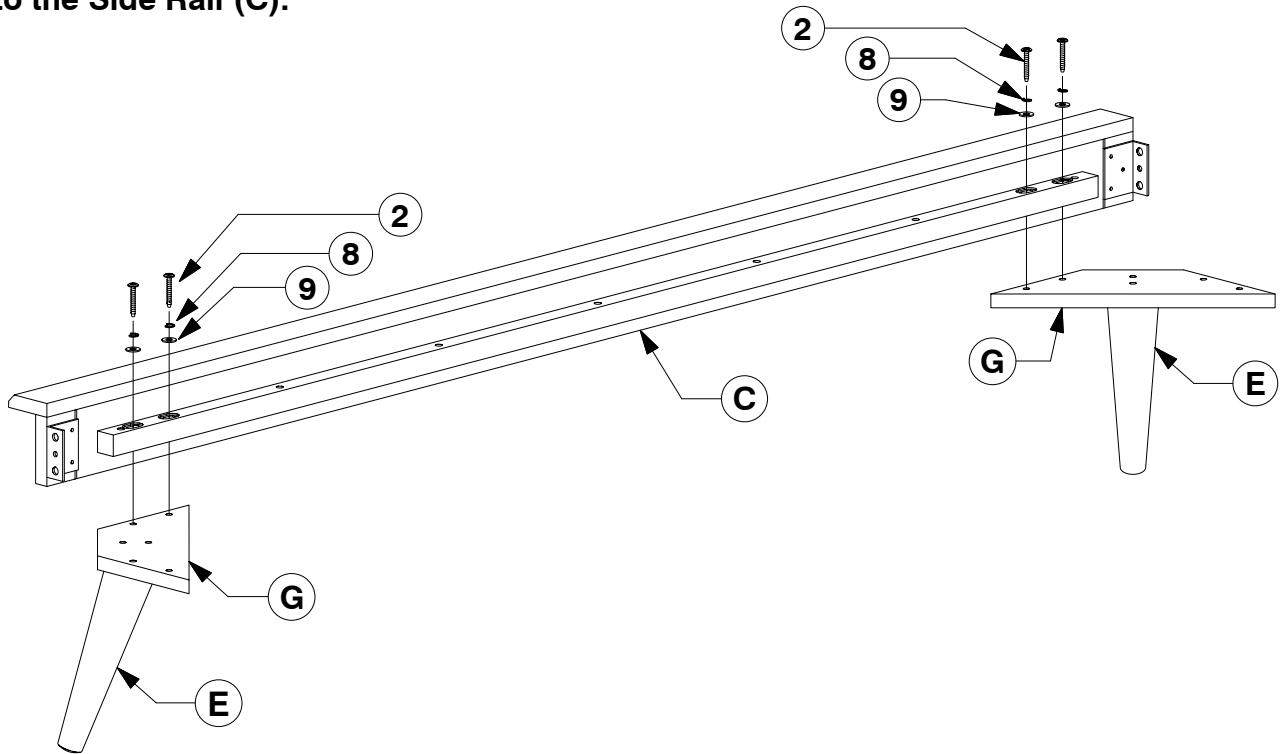


# 0004 Full Bed

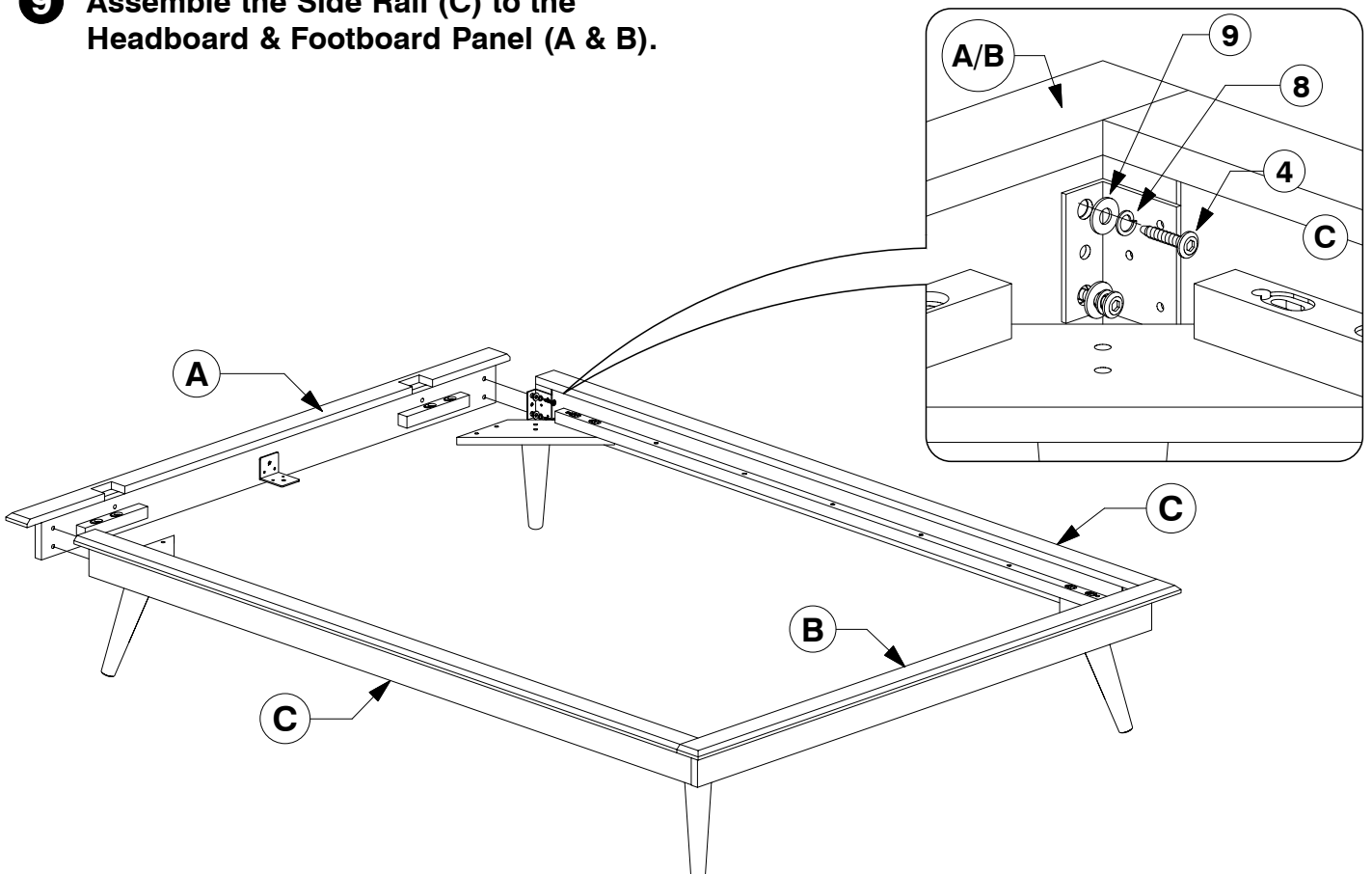
## Assembly Instructions

W11-0819

- 8** Bolt the Post & Support Panel (E & G) to the Side Rail (C).



- 9** Assemble the Side Rail (C) to the Headboard & Footboard Panel (A & B).

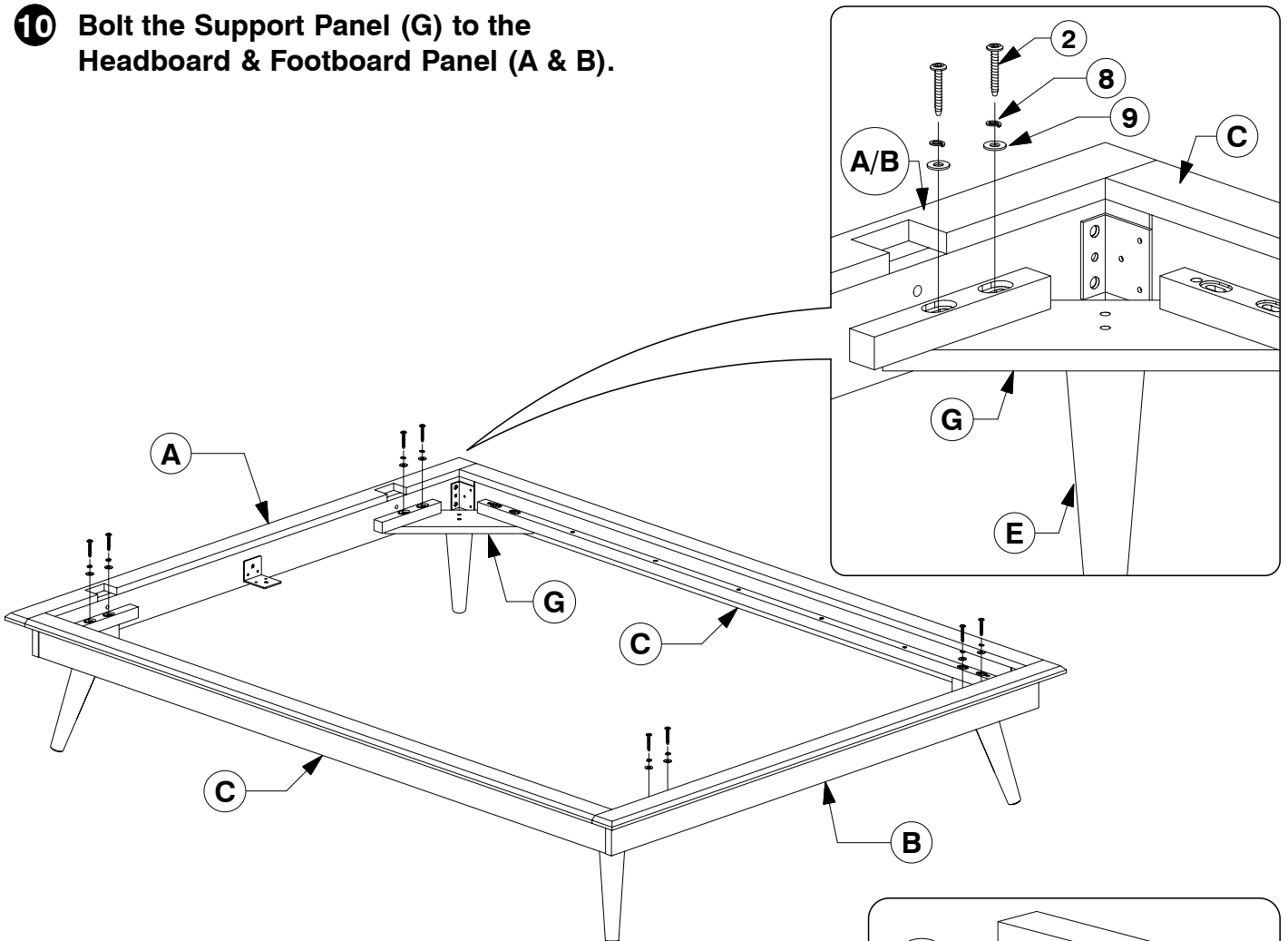


# 0004 Full Bed

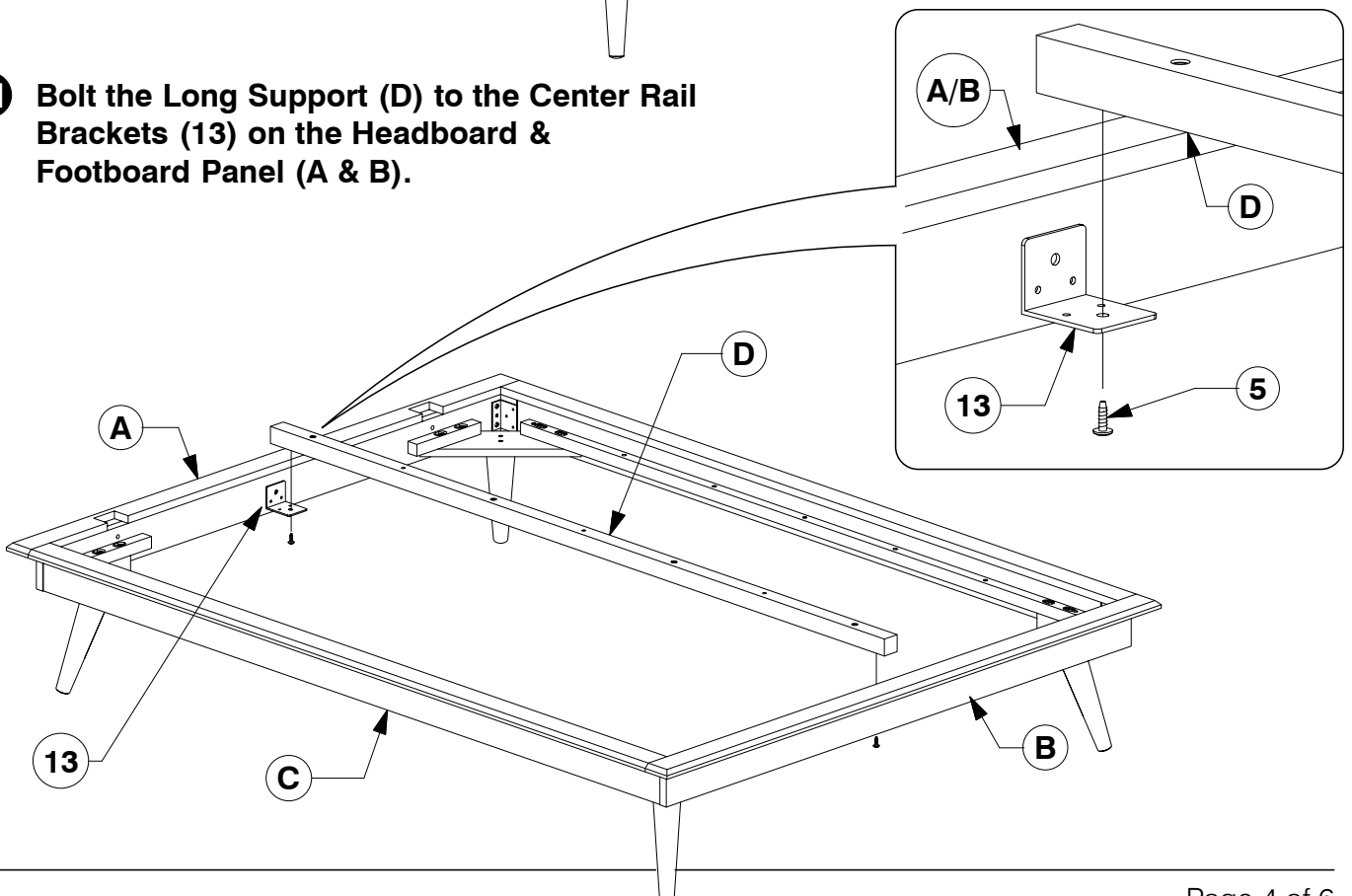
## Assembly Instructions

WII-0819

- 10** Bolt the Support Panel (G) to the Headboard & Footboard Panel (A & B).



- 11** Bolt the Long Support (D) to the Center Rail Brackets (13) on the Headboard & Footboard Panel (A & B).

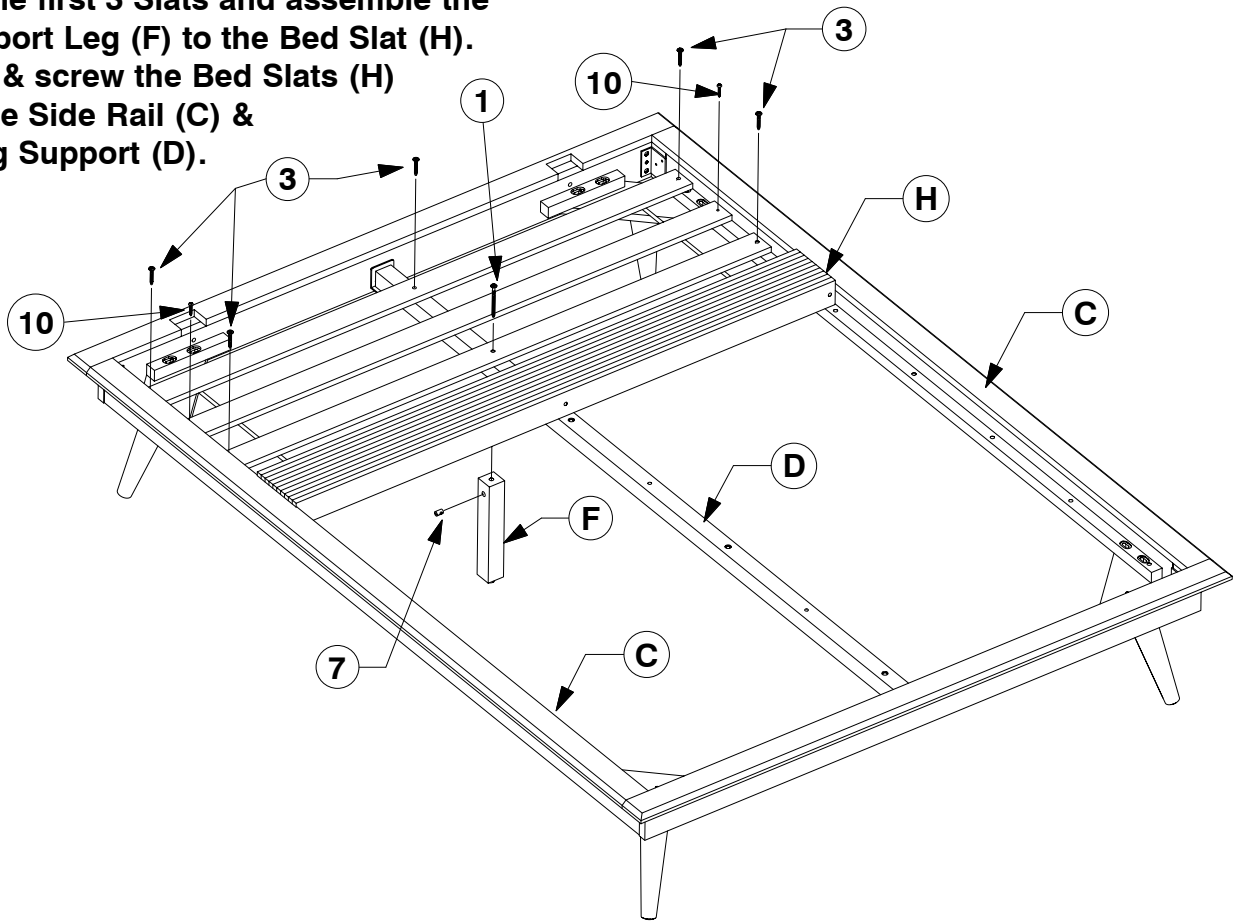


# 0004 Full Bed

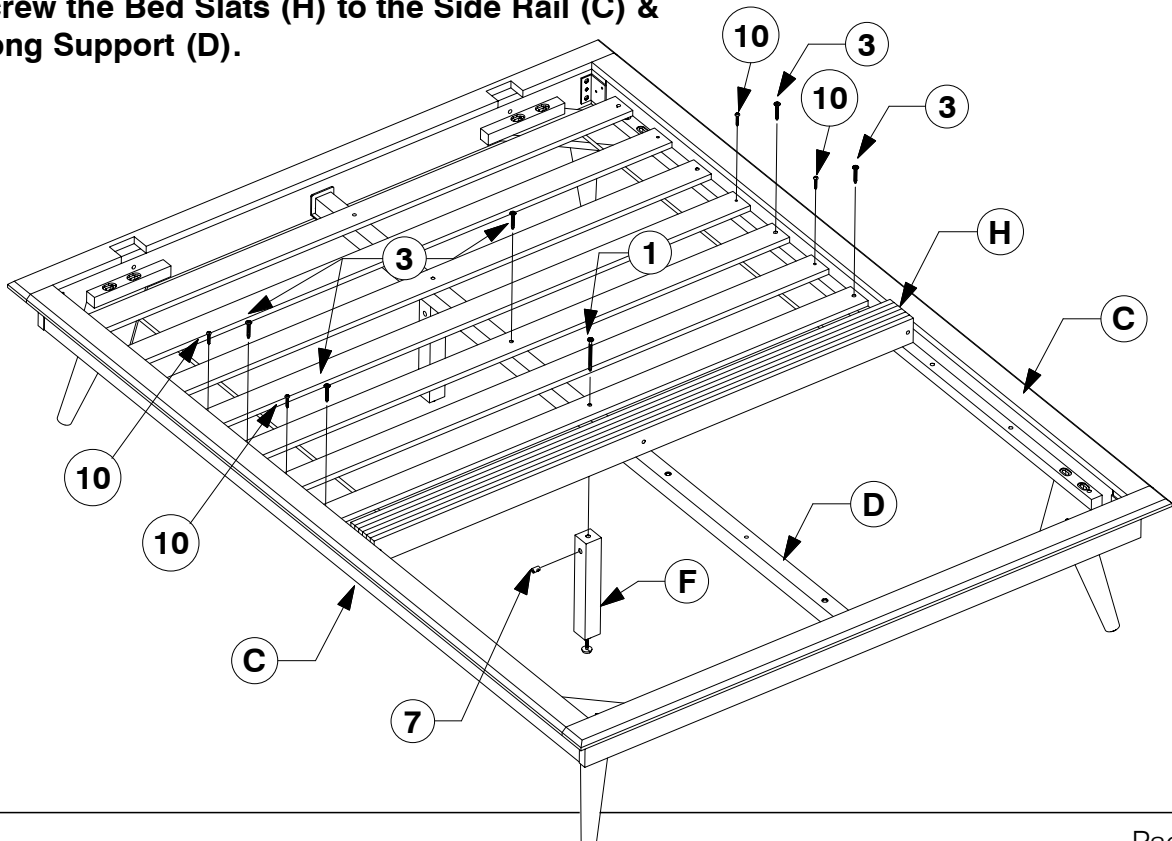
## Assembly Instructions

WII-0819

- 12** Fit the first 3 Slats and assemble the Support Leg (F) to the Bed Slat (H). Bolt & screw the Bed Slats (H) to the Side Rail (C) & Long Support (D).



- 13** Fit the other Slats out and assemble the Support Leg (F) to the Bed Slat (H). Bolt & screw the Bed Slats (H) to the Side Rail (C) & Long Support (D).

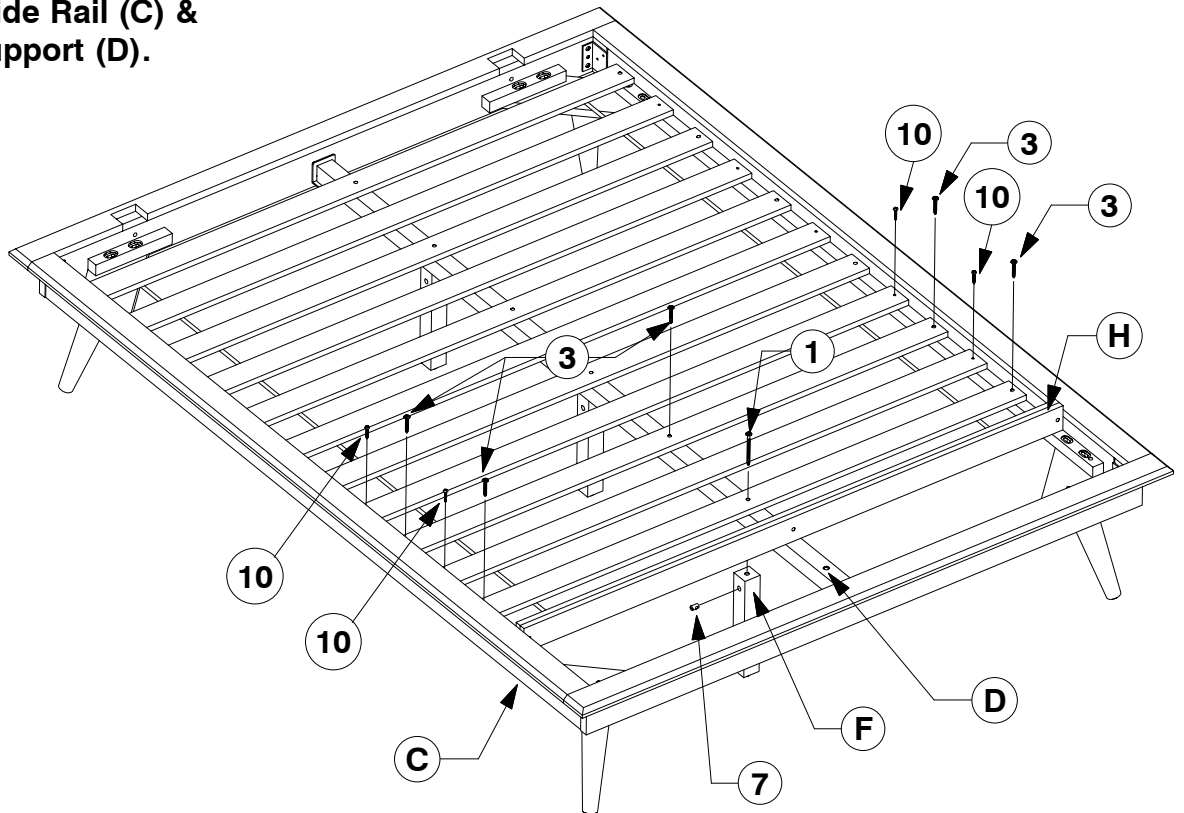


# 0004 Full Bed

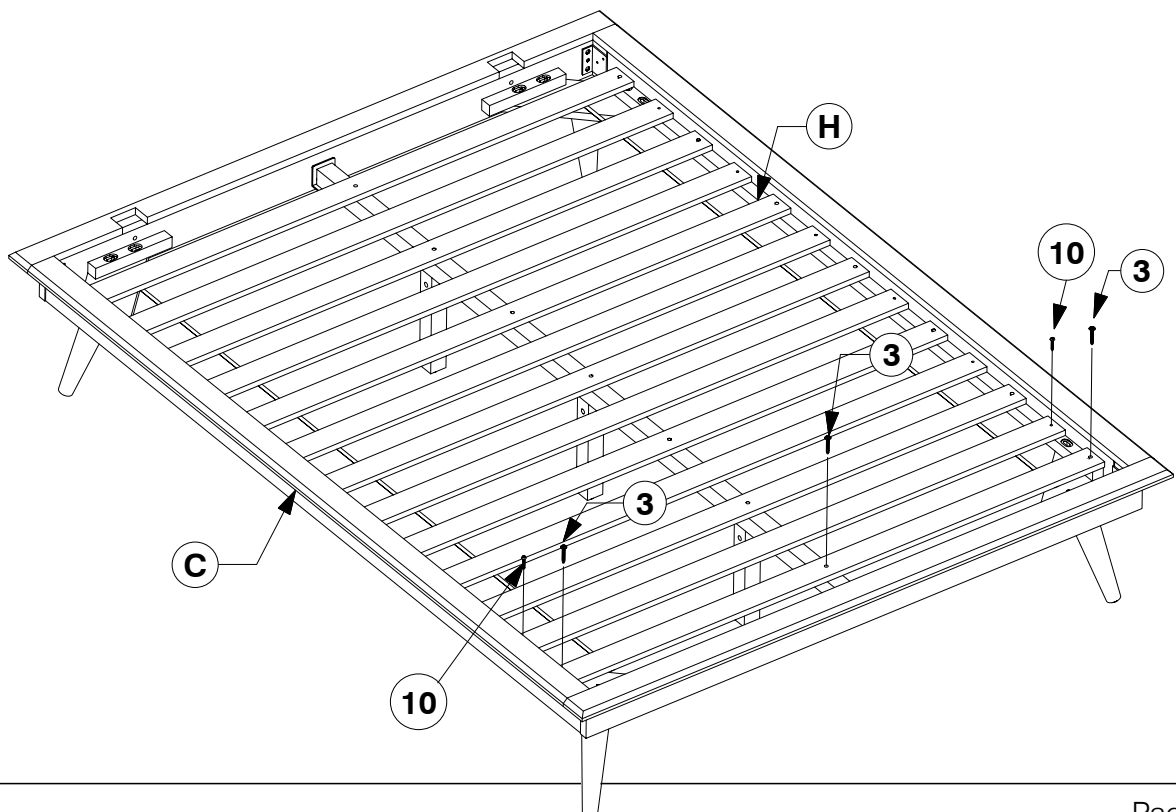
## Assembly Instructions

W11-0819

- 14** Fit the other Slats out and assemble the Support Leg (F) to the Bed Slat (H). Bolt & screw the Bed Slats (H) to the Side Rail (C) & Long Support (D).



- 15** Bolt & screw the remaining Bed Slats (H) to the Side Rail (C).

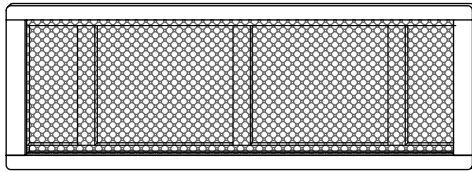


# Full Headboard

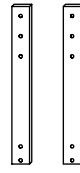
## Assembly Instructions

W11-0419

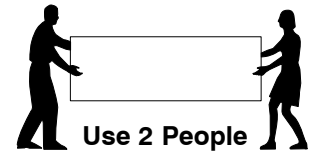
### 1 Parts List



**A** Headboard Panel x 1



**B** Support Bar x 2



### 2 Hardware List



**1** M6 x 35mm JCB x 6



**2** Spring Washer x 6



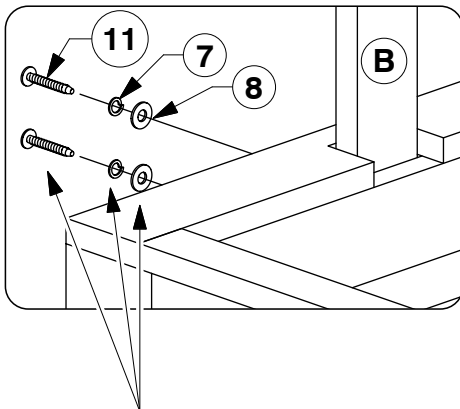
**3** Flat Washer x 6



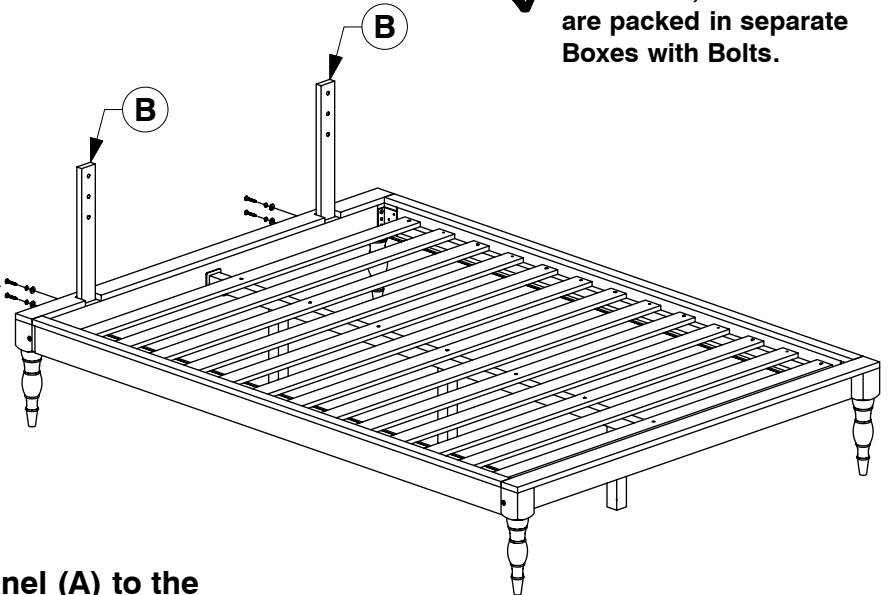
**4** Allen Key x 1

**Note:** Do not assemble using power tools. This can cause the bolts to be overtightened

### 3 Assemble the Support Bars (B) to the Headboard Panel.

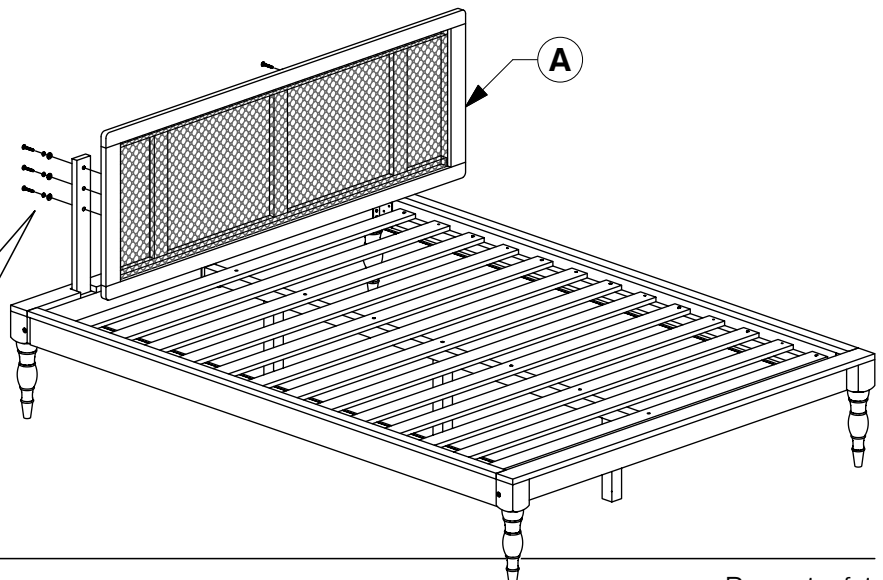
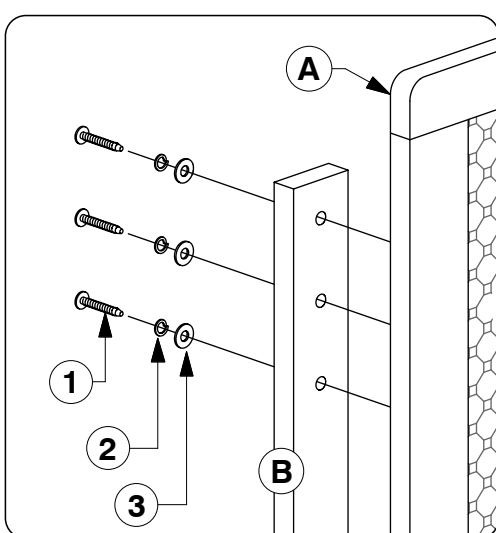


*Note:* Bolts & Washers from Footboard, Rails & Slats Box.



✓ Footboard, Rails & Slats are packed in separate Boxes with Bolts.

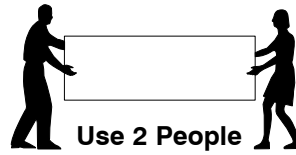
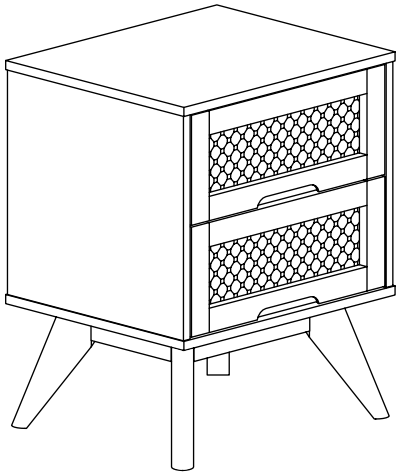
### 4 Assemble the Headboard Panel (A) to the Support Bars (B).



# 9001 2 Drawer Nightstand

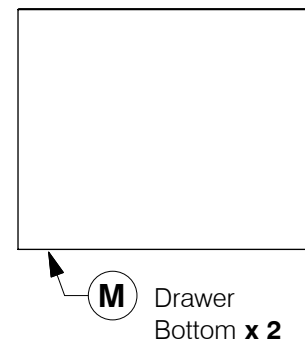
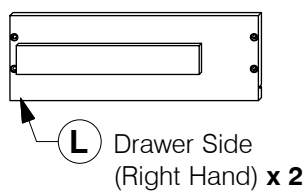
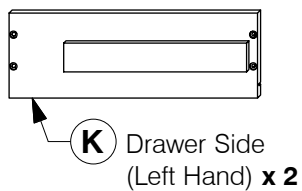
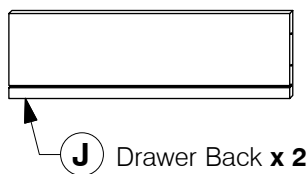
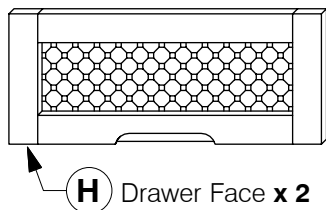
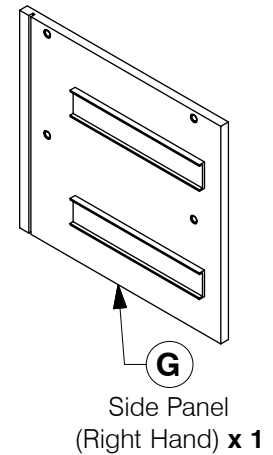
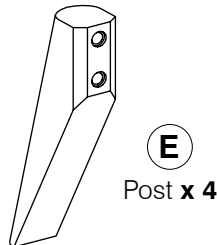
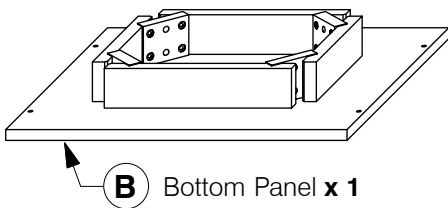
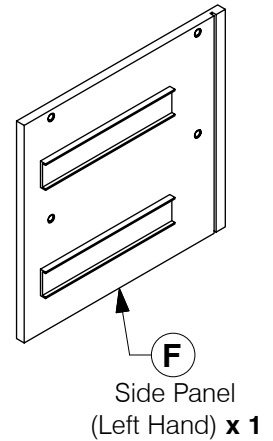
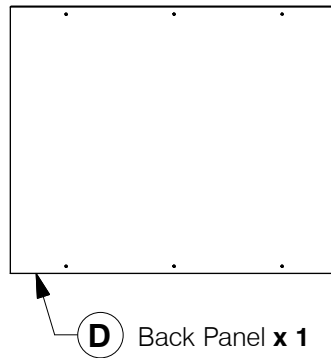
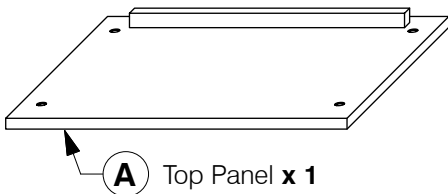
## Assembly Instructions

WI-1220



**Note:** Do not assemble using power tools. This can cause the bolts to be overtightened

### 1 Parts List





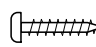
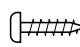

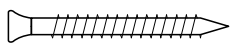






# 9001 2 Drawer Nightstand

## Assembly Instructions

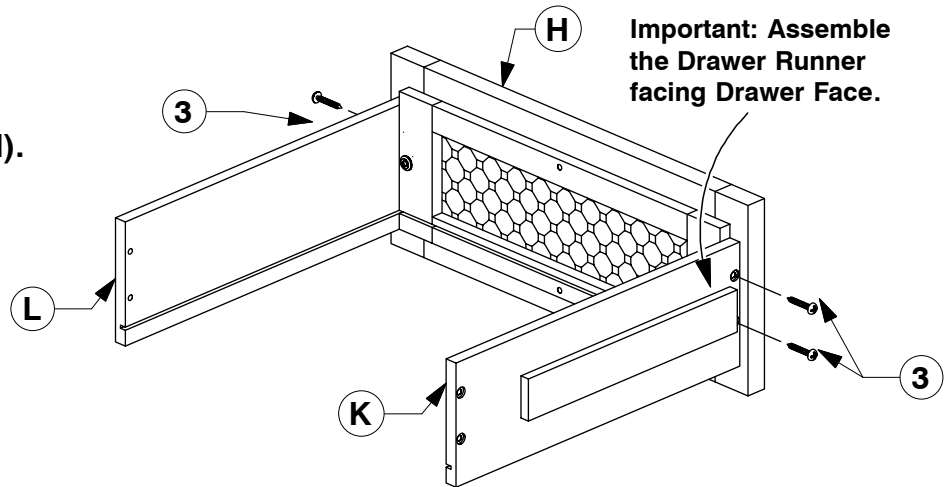
WI-1220

### 2 Hardware List

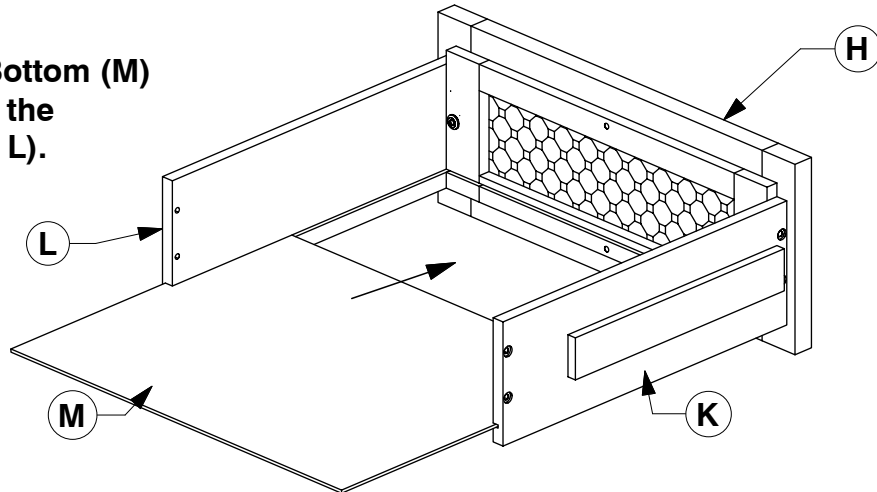
- |  |   |   |  |  |
|--|---|---|--|--|
| <br>① M6 x 15mm<br>JCB x 16                 | <br>② M6 x 60mm<br>JCB x 8 | <br>③ M4 x 25mm<br>Wood Screw x 16 | <br>④ M4 x 20mm<br>Wood Screw x 4 | <br>⑤ M4 x 16mm<br>Wood Screw x 6 |
| <br>⑥ CSK Cap Wood Screw<br>(M6 x 50mm) x 4 | <br>⑦ Spring<br>Washer x 8 | <br>⑧ Flat Washer<br>x 8           | <br>⑨ 'L' Bracket<br>(5005-3) x 8 | <br>⑩ Allen Key<br>x 1            |

### 3 Assemble the Drawer Sides (K & L) to the Drawer Face (H).

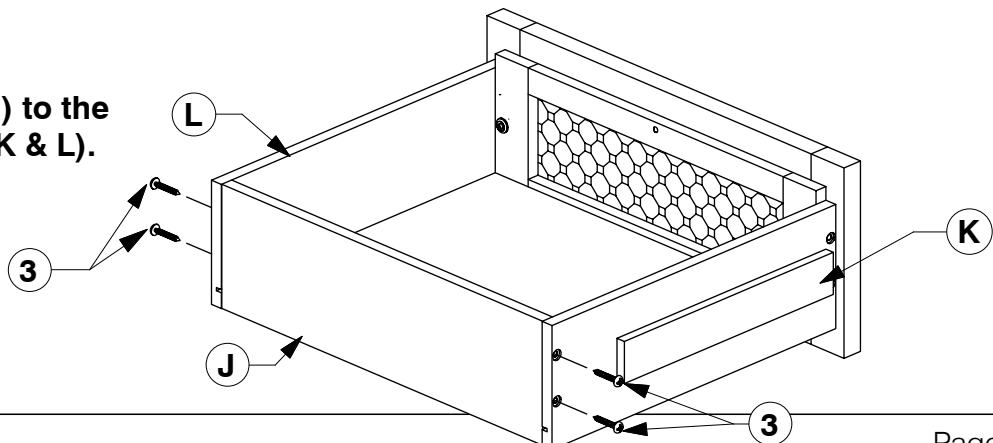
x2



### 4 Slide the Drawer Bottom (M) into the groove on the Drawer Sides (K & L).



### 5 Assemble the Drawer Back (J) to the Drawer Sides (K & L).

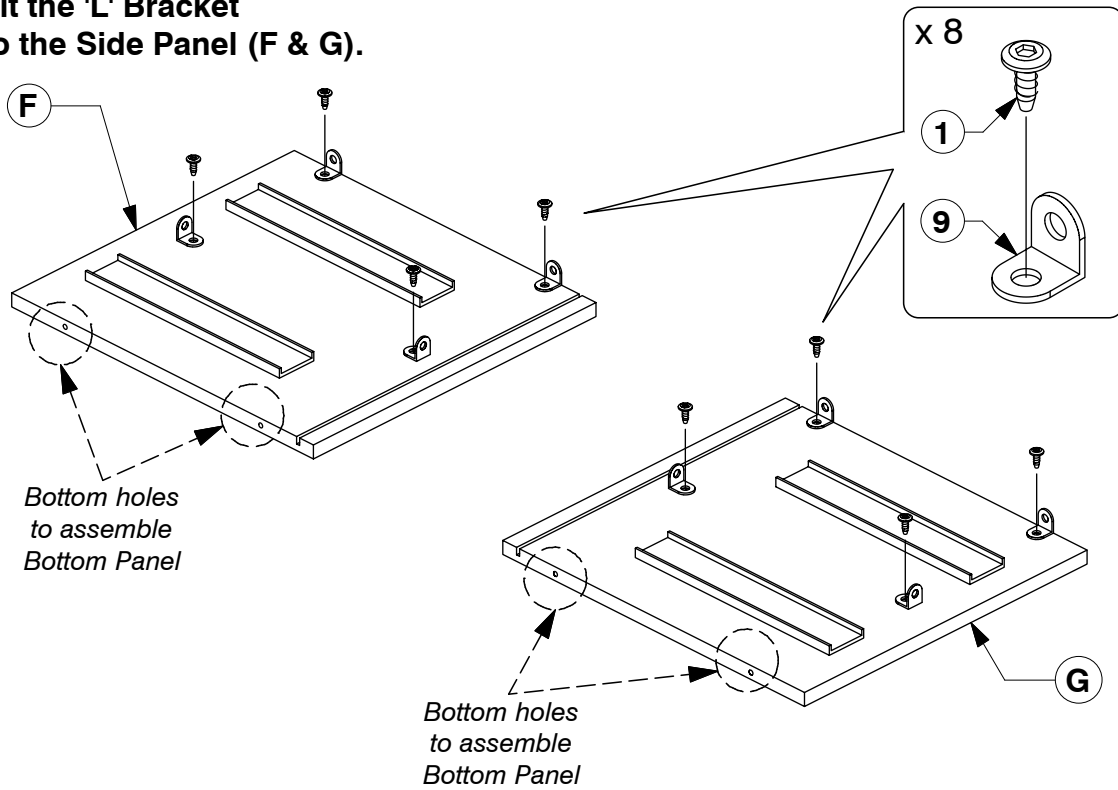


# 9001 2 Drawer Nightstand

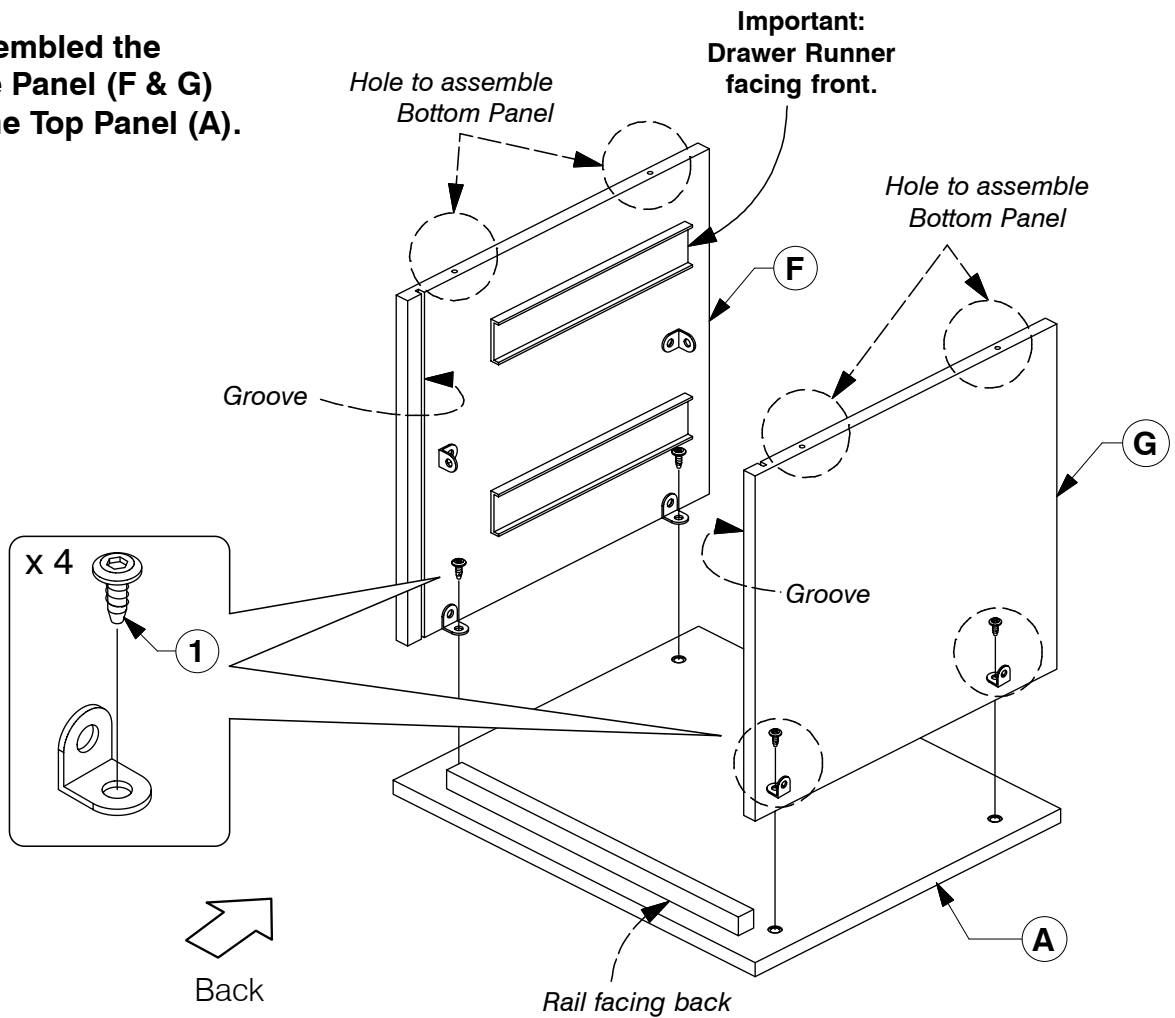
## Assembly Instructions

WI-1220

### 6 Fit the 'L' Bracket to the Side Panel (F & G).



### 7 Assembled the Side Panel (F & G) to the Top Panel (A).

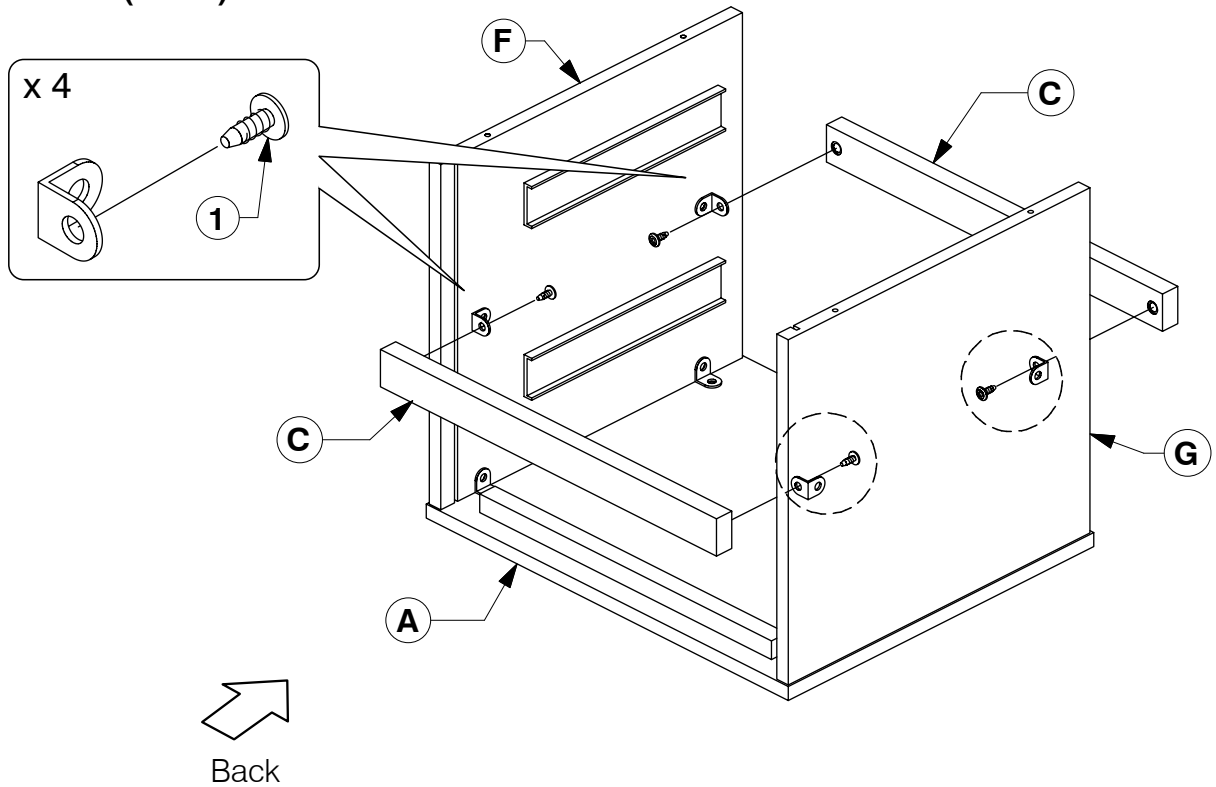


# 9001 2 Drawer Nightstand

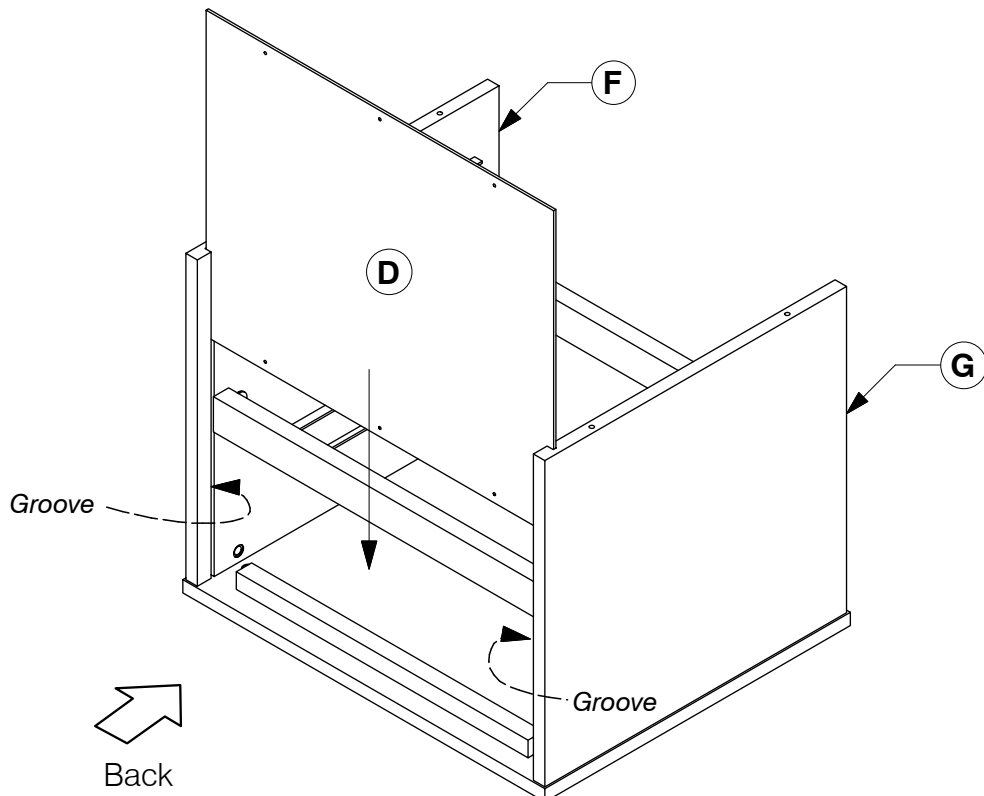
## Assembly Instructions

WI-1220

- 8** Fit the Support Bar (C) to the Side Panel (F & G).



- 9** Slide the Back Panel (D) into the groove on the back of the Side Panel (F & G).

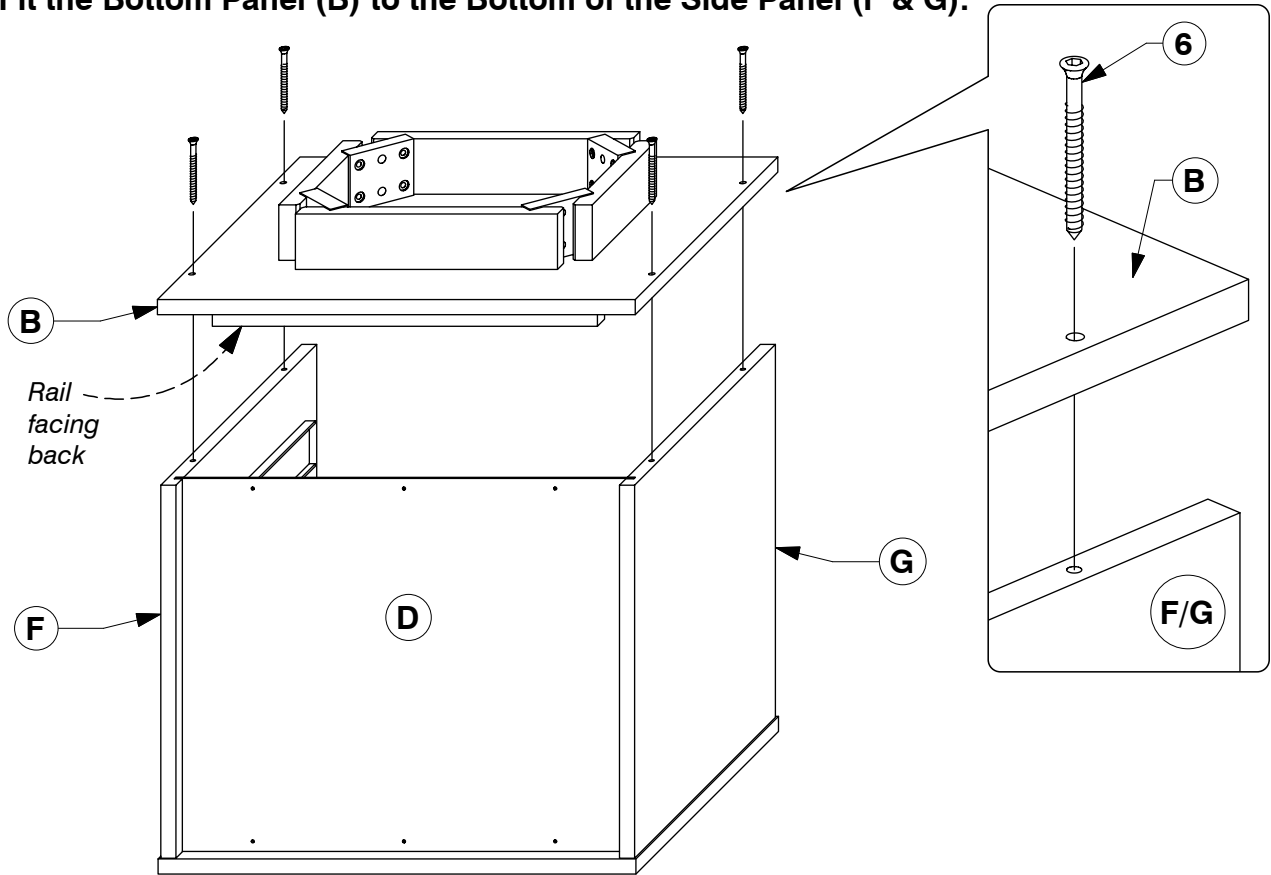


# 9001 2 Drawer Nightstand

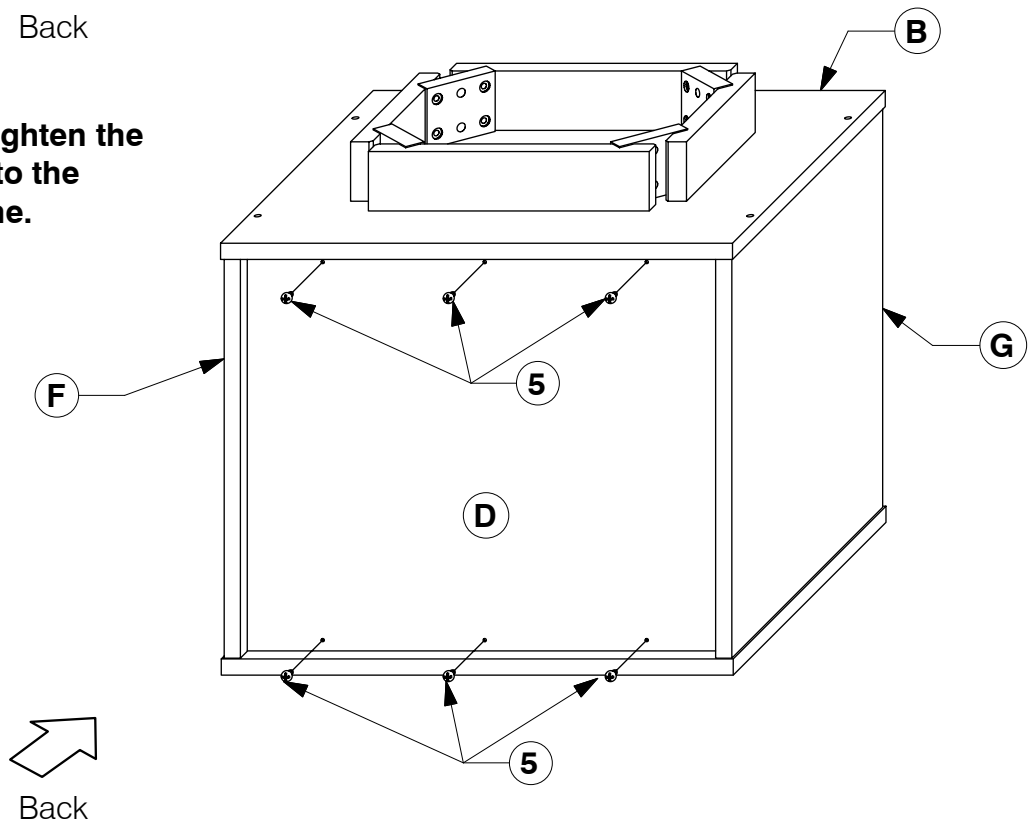
## Assembly Instructions

WI-1220

- 10** Fit the Bottom Panel (B) to the Bottom of the Side Panel (F & G).



- 11** Use screws to tighten the Back Panel (D) to the back of the frame.

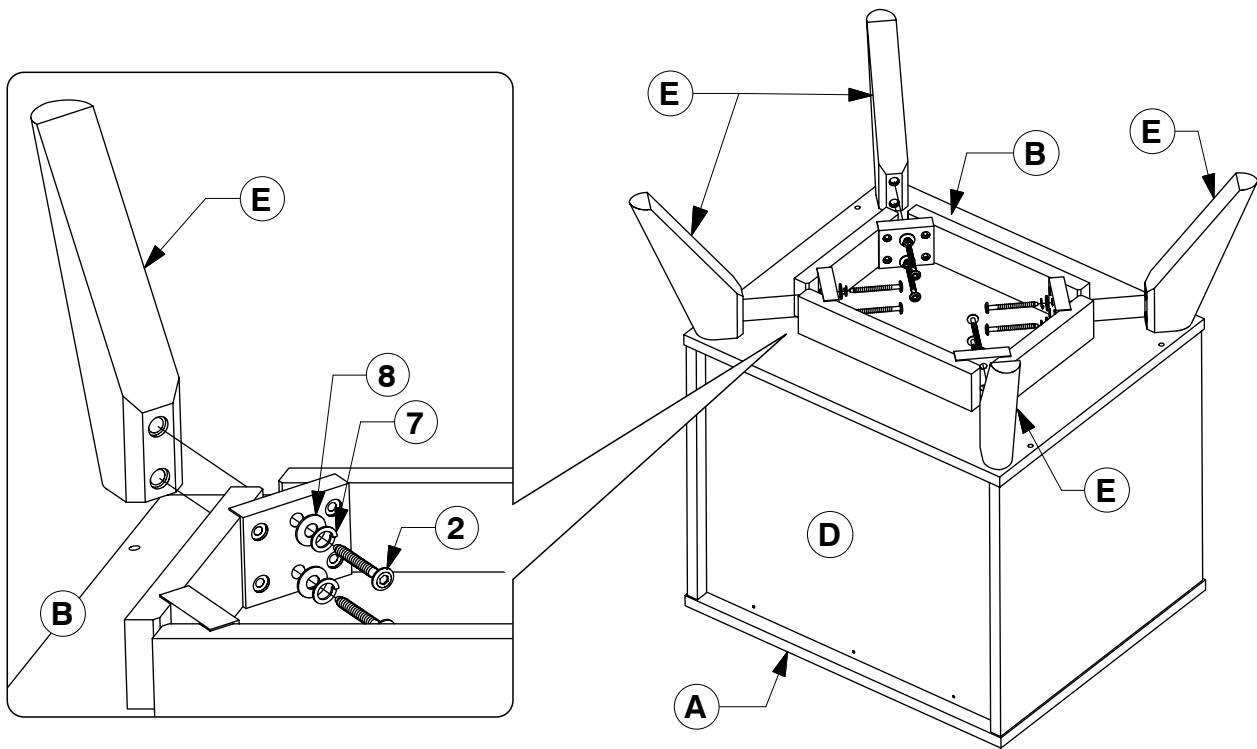


# 9001 2 Drawer Nightstand

## Assembly Instructions

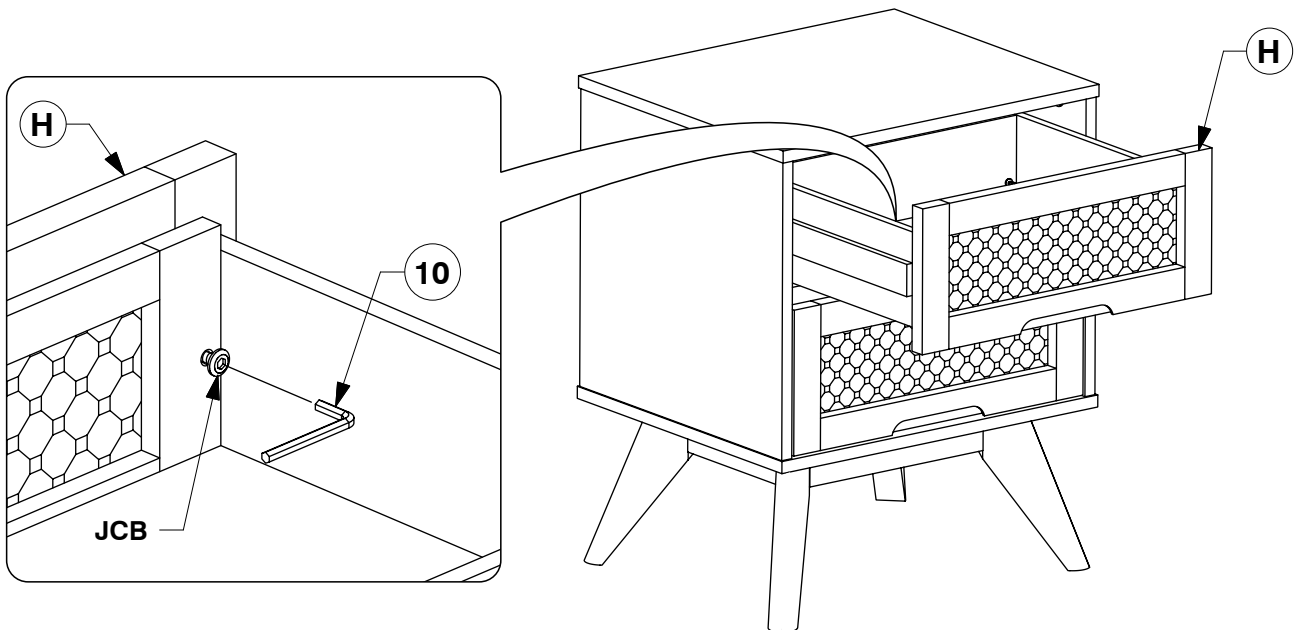
WI-1220

### 12 Fit the Post (E) to the Bottom Panel (B).



### 13 Fit and adjust the Drawer Face (H).

\* NOTE: Before fitting the Wood Screws.  
Loosen the JCBs on the Drawer Face if  
the face needs alignment.



# 9001 2 Drawer Nightstand

## Assembly Instructions

WI-1220

- 14** After the Drawer Faces (H) are aligned, secure with wood screws.

