

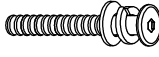




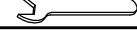
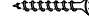
# ASSEMBLY INSTRUCTIONS

## MODEL : MONTE ROUND TABLE

### IMPORTANT NOTE :

- \* PLACE ALL WOODEN PARTS ON A CLEAN AND SMOOTH SURFACE SUCH AD A RUG OR CARPET TO AVOID THE PARTS FROM BEING SCRATCHED.
- \* BEFORE YOU BEGIN, KINDLY FOLLOW THE ASSEMBLY INSTRUCTIONS STEP BY STEP.

### HARDWARE LIST

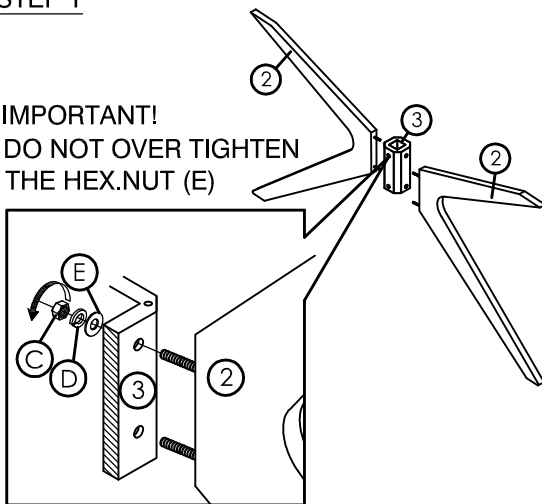
A	JCBC M6 x 70mm + S/W M6 + F/W M6 x 13mm		4PCS
B	ALLEN KEY M4		1PC
C	HEX NUT 5/16"		8PCS
D	SPRING WASHER 5/16"		8PCS
E	FLAT WASHER 5/16"		8PCS
F	SPANNER 12.8		1PC
G	FH SCREW #8 x 32mm		4PCS

### PART LIST

1	TABLE TOP	1PC
2	TABLE LEG	4PCS
3	CENTER SUPPORT BLOCK	1PC
4	CENTER BLOCK COVER	1PC

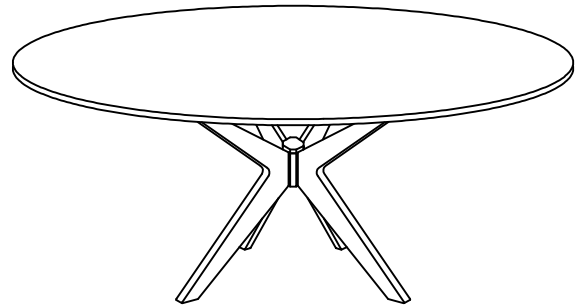
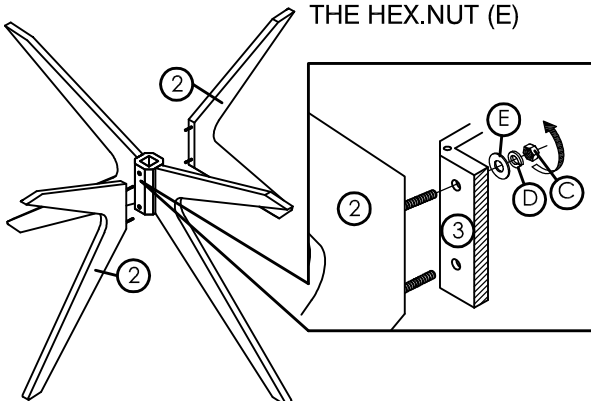
### STEP 1

**IMPORTANT!**  
DO NOT OVER TIGHTEN  
THE HEX.NUT (E)



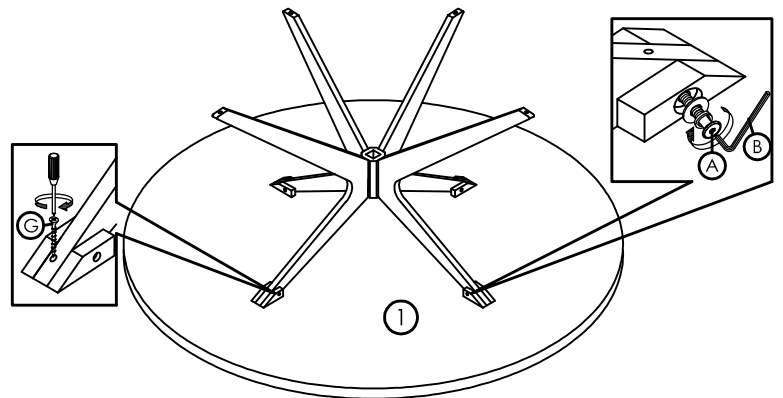
### STEP 2

**IMPORTANT!**  
DO NOT OVER TIGHTEN  
THE HEX.NUT (E)



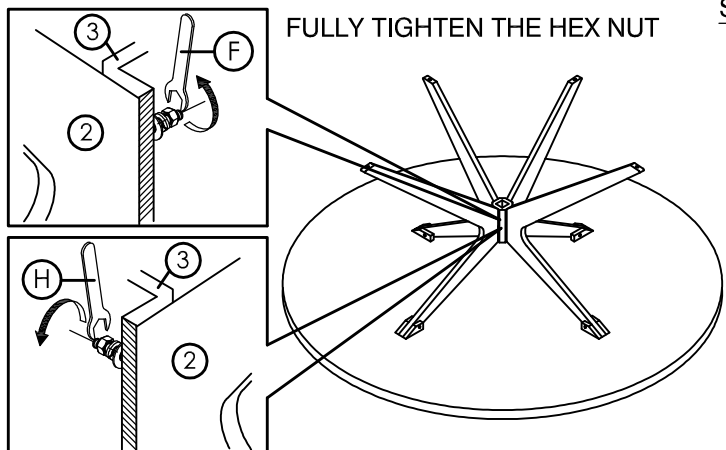
COMPLETED TABLE ASSEMBLY.

### STEP 3



### STEP 4

FULLY TIGHTEN THE HEX NUT



### STEP 5

