

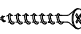


ASSEMBLY INSTRUCTIONS

MODEL : MONTE DINING CHAIR

IMPORTANT NOTE :

- * PLACE ALL WOODEN PARTS ON A CLEAN AND SMOOTH SURFACE SUCH AS A RUG OR CARPET TO AVOID THE PARTS FROM BEING SCRATCHED.
- * PLEASE FOLLOW ASSEMBLY INSTRUCTIONS STEP BY STEP.
- * DO NOT FULLY TIGHTEN ALL SCREWS UNTIL THE CHAIR PARTS HAVE BEEN ASSEMBLED.

HARDWARE LIST		PART LIST			
A	J/CBC M6 x 60mm + S/W M6 + F/W M6 x 13mm 	4 SETS	1	LEG (RIGHT)	1PC
			2	LEG (LEFT)	1PC
B	ALLEN KEY M4 	1PC	3	STRETCHER (FRONT)	1PC
			4	STRETCHER (BACK)	1PC
C	FH SCREW #8 x 32mm 	4PCS	5	CUSHION SEAT	1PC

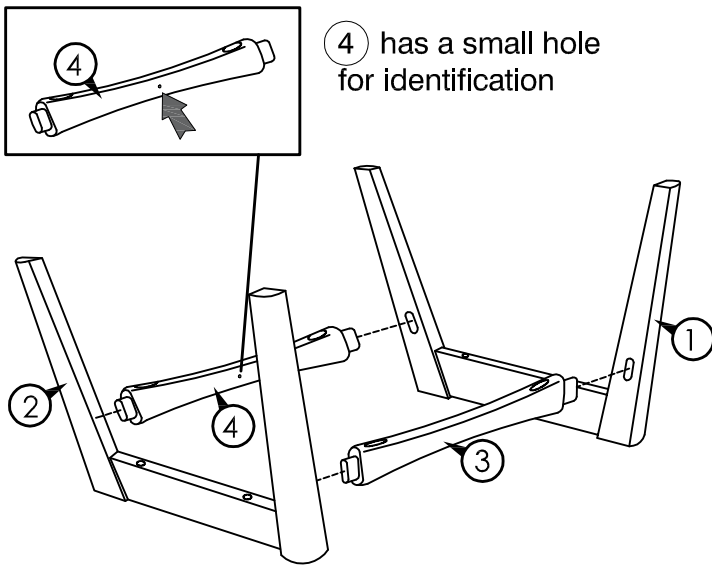
PLEASE NOTE :

(1) DO NOT FULLY-TIGHTEN THE NUTS AND BOLTS UNTIL ALL PARTS HAVE BEEN ASSEMBLED.

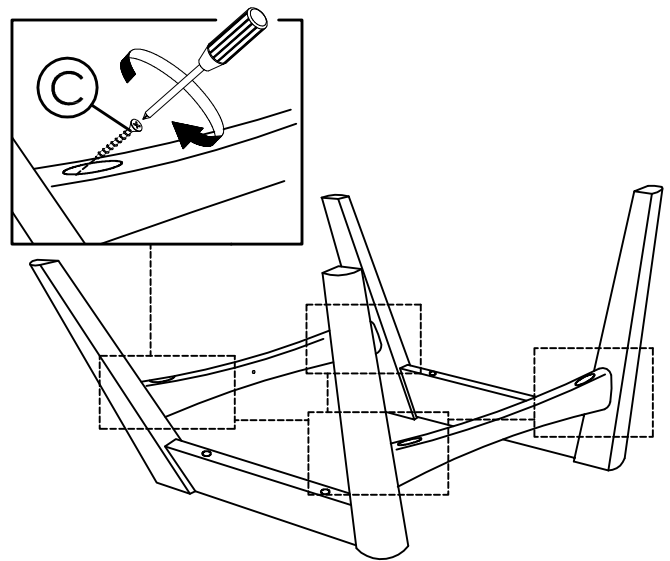
(TO AVOID CAUSING DAMAGE TO THE THREADS, DO NOT OVER-TIGHTEN THE NUTS AND BOLTS.)

(2) KEEP ALL PARTS OUT OF THE REACH OF CHILDREN.

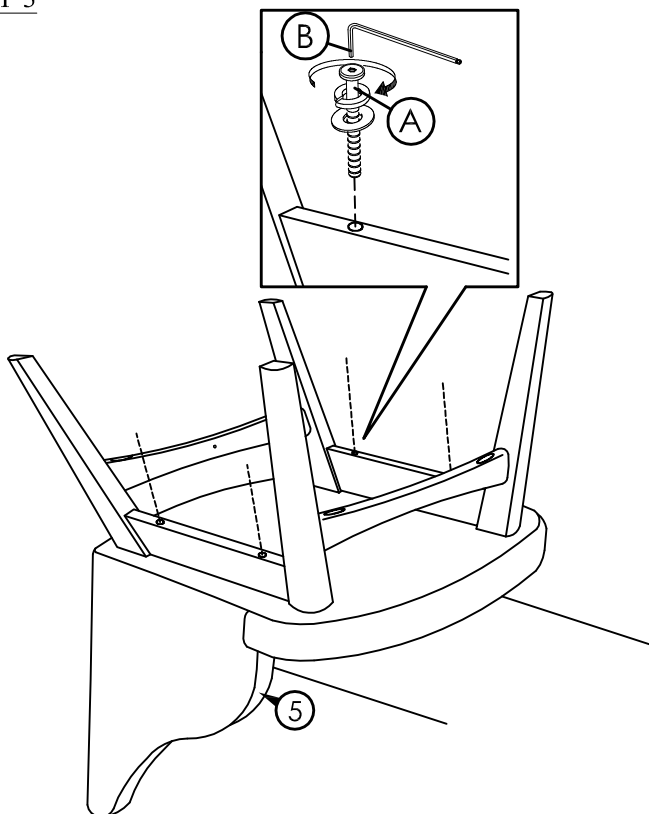
STEP 1



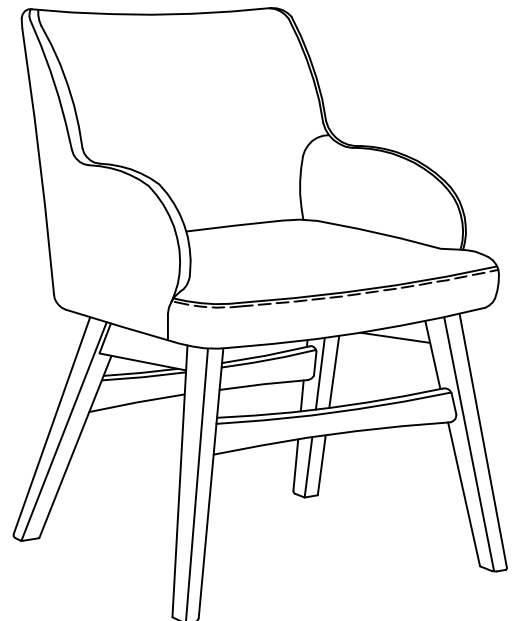
STEP 2



STEP 3



STEP 4



COMPLETED CHAIR ASSEMBLY.