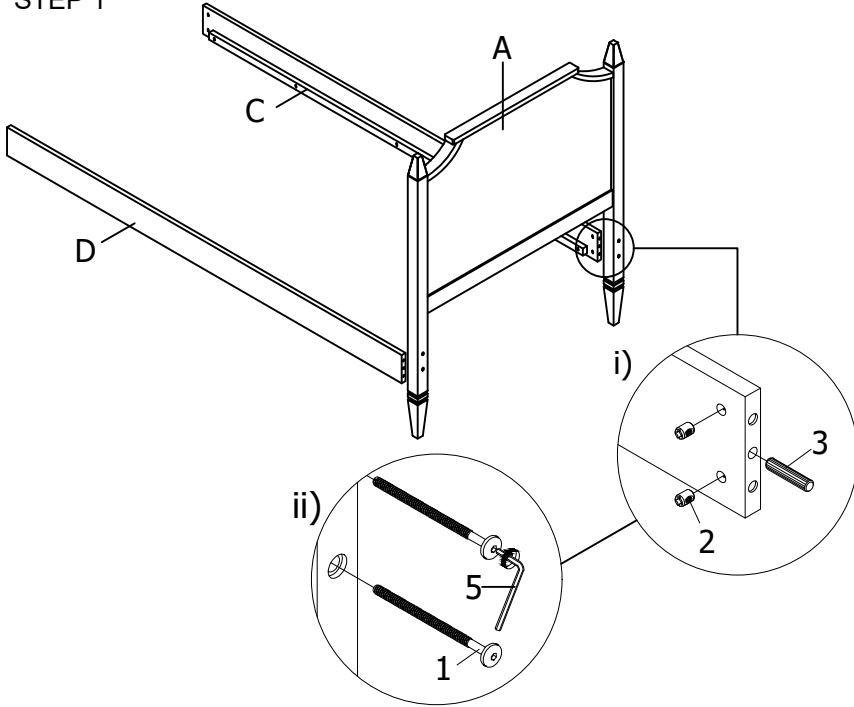
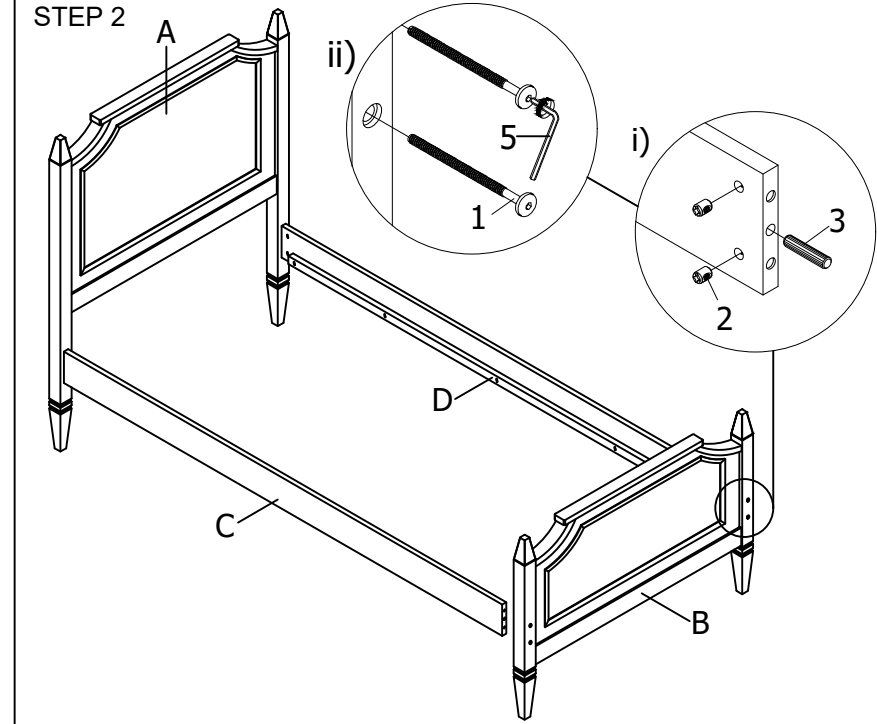


ASSEMBLY INSTRUCTION

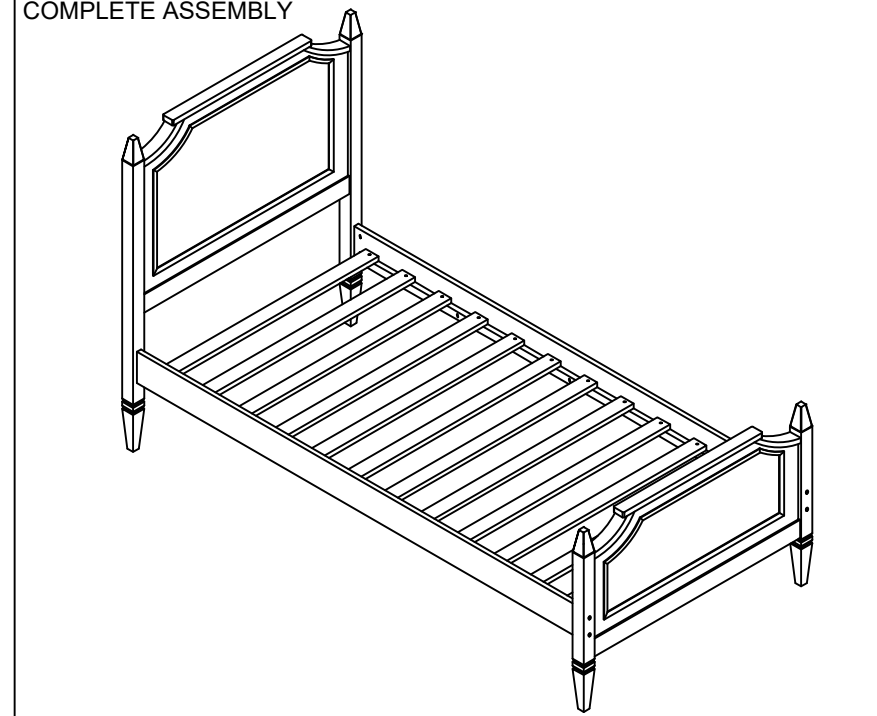
MODEL : MARIANA TWIN BED

STEP 1

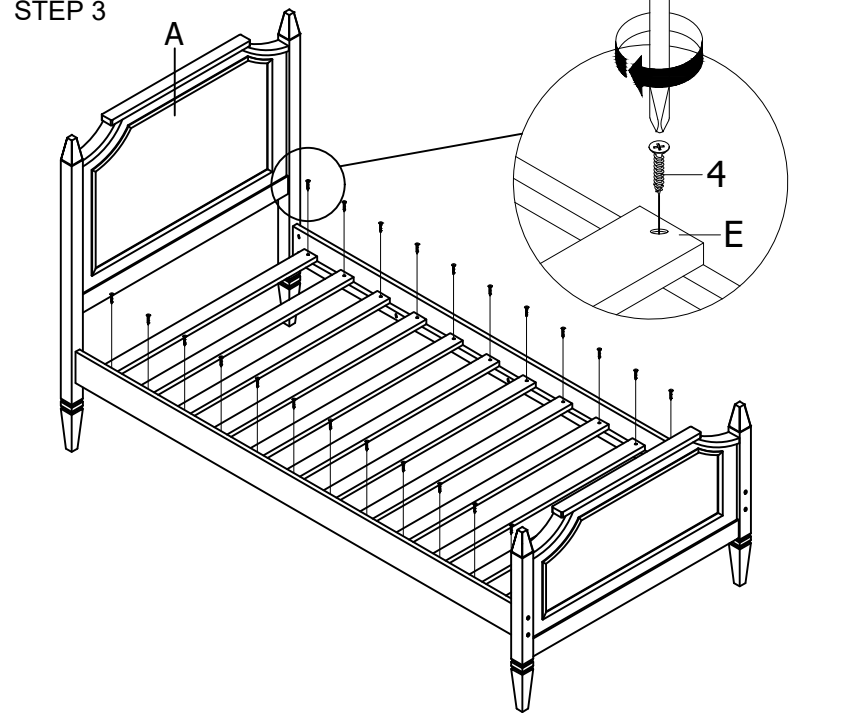
STEP 2



COMPLETE ASSEMBLY



STEP 3



NO	PART LIST	QTY
A	HEADBOARD	1
B	FOOTBOARD	1
C	SIDE RAIL (Left)	1
D	SIDE RAIL (Right)	1
E	BED SLAT	12

NO	PART LIST	QTY
1	JCBC M6 x 80mm	8
2	BARREL NUT	8
3	WOODEN DOWER	4
4	CSK M4 x 25mm	24
5	ALLEN KEY M4	1