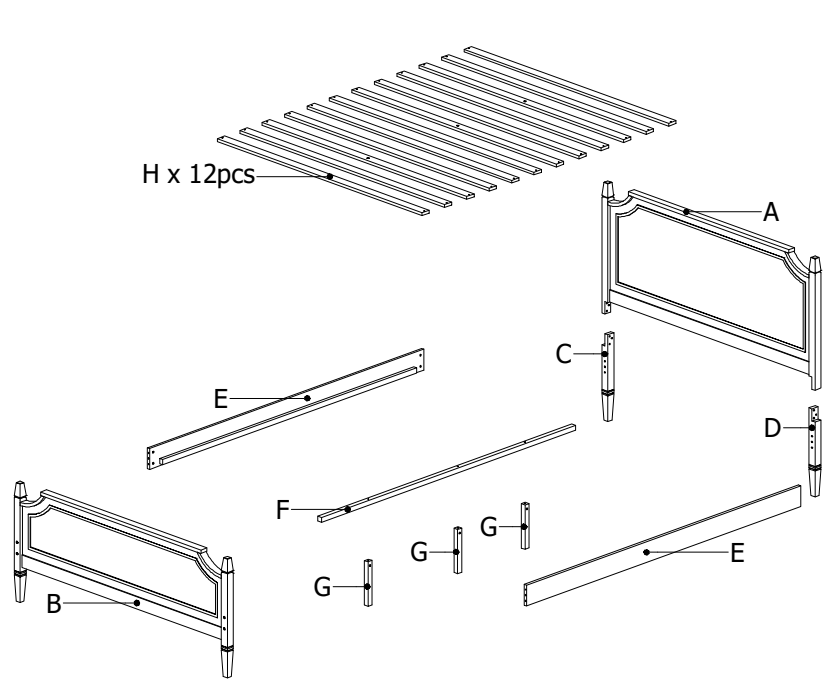


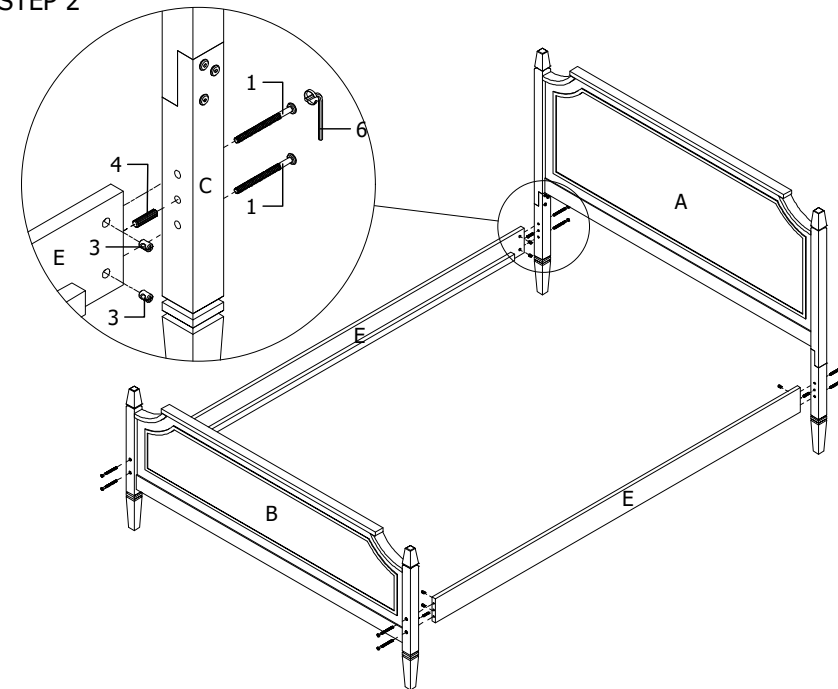
# ASSEMBLY INSTRUCTIONS

MODEL : MARIANA QUEEN BED

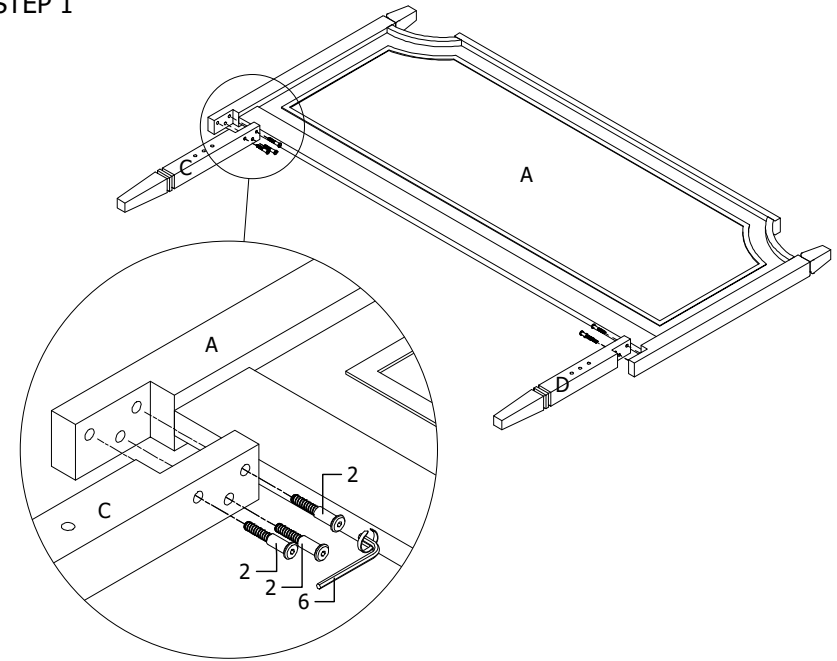
NO	PART LIST	QTY
A	HEADBOARD	1
B	FOOTBOARD	1
C	EXTENDED LEG (L)	1
D	EXTENDED LEG (R)	1
E	SIDE RAIL	2
F	CENTER SUPPORT	1
G	CENTER LEG	3
NO	HARDWARE LIST	QTY
1	JCBC M6 x 80mm	11
2	JCBC M6 x 40mm RUBBER WASHER	6
3	BARREL NUT M6	11
4	WOODEN DOWEL M8 x 30mm	4
5	BASE GLIDE	3
6	ALLEN KEY M4	1



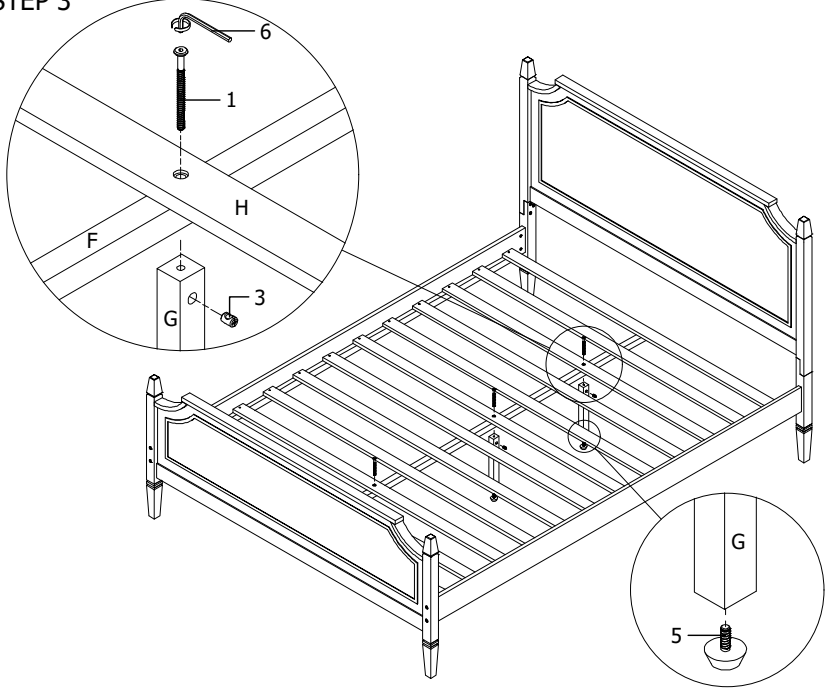
STEP 2



STEP 1



STEP 3

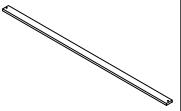


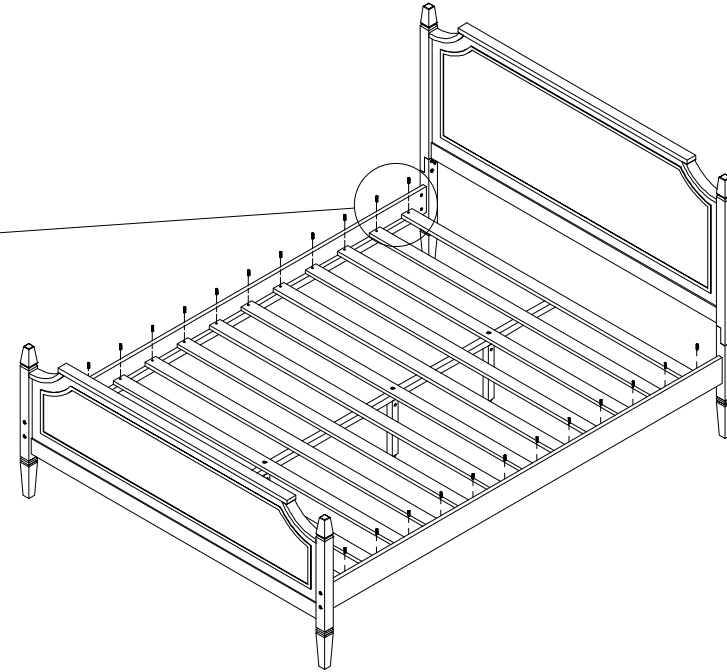
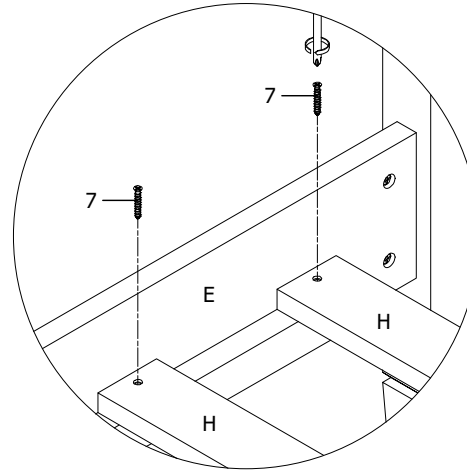
# ASSEMBLY INSTRUCTIONS

MODEL : MARIANA QUEEN BED

STEP 4

NO	PART LIST	QTY
----	-----------	-----

H	SLAT 	12
---	--	----



NO	HARDWARE	QTY
----	----------	-----

ASSEMBLY COMPLETE

7	CSK M4 x 25mm 	24
---	---	----

