

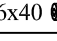
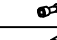
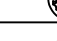
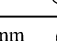
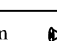
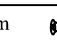


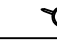
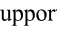
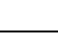
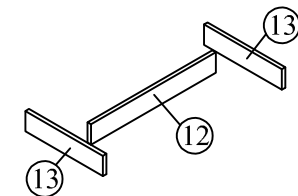
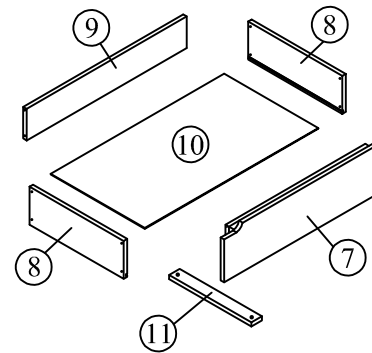
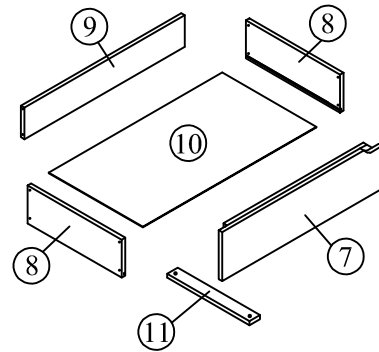
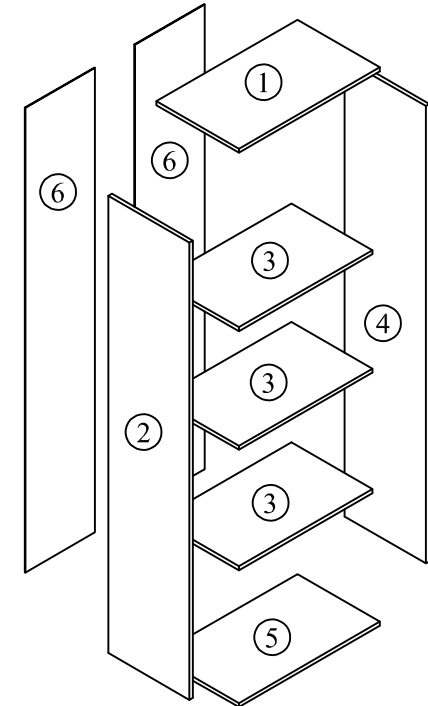
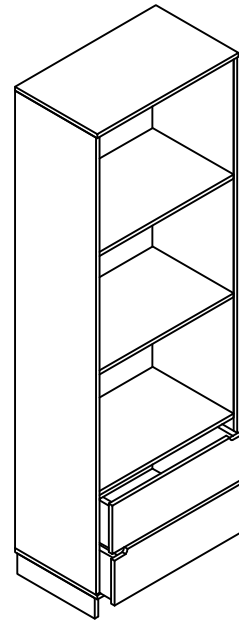


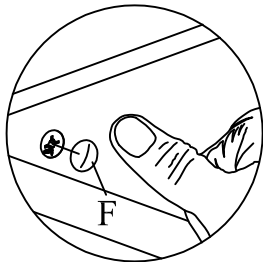
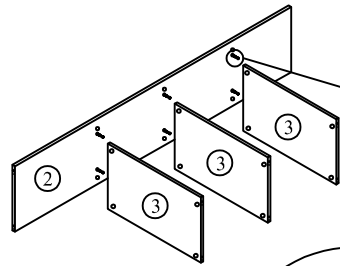
Assembly Instructions

Part List	QTY	Part List	QTY
1 Top Panel	1	10 Drawer Bottom Panel	2
2 Left Side Panel	1	11 Drawer Support Bottom Panel	2
3 Middle Panel	3	12 Middle Support Leg	1
4 Right Side Panel	1	13 Side Legs	2
5 Bottom Panel	1		
6 Back Panel	2		
7 Drawer Front Panel	2		
8 Drawer Side Panel	4		
9 Drawer Back Panel	2		

Hardware	QTY
A Allen Key M4 	1
B Wood Dowel 	28
C JCBC W Screw M6x40 	8
D Mini Fix Bolt 	19
E Mini Fix Housing 	19
F Mini Fix Cap 	19
G CSK Screw M3.5x16mm 	24
H CSK Screw M4x32mm 	4
I CSK Screw M4x50mm 	16
J Power Nail 5/8 	66
K 300mm Drawer Slide 	2
L White Nail Leg 	4
M Back Panel Slide Support 	1

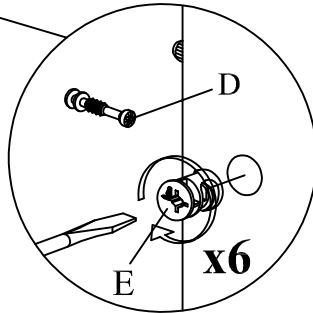


Step 5



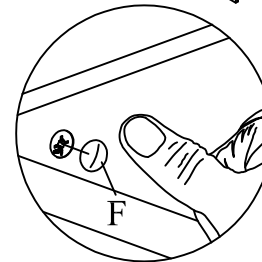
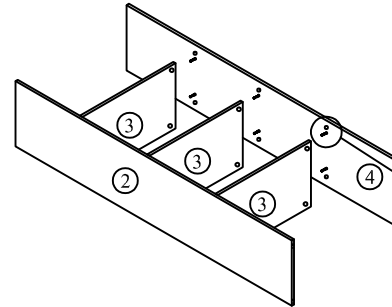
*Attach Minifix Cap as shown.

This is how a mini fix works...
The head of the mini fix housing goes into the open mouth of the mini fix bolt. You then turn the mini fix housing so it tightens over the mini fix bolt.



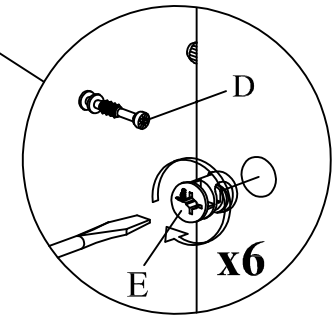
*Assemble left side panel (2), secure with Minifix as shown.

Step 6



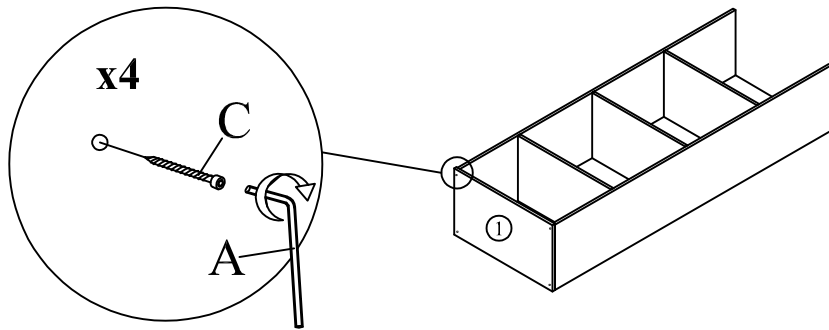
*Attach Minifix Cap as shown.

This is how a mini fix works...
The head of the mini fix housing goes into the open mouth of the mini fix bolt. You then turn the mini fix housing so it tightens over the mini fix bolt.

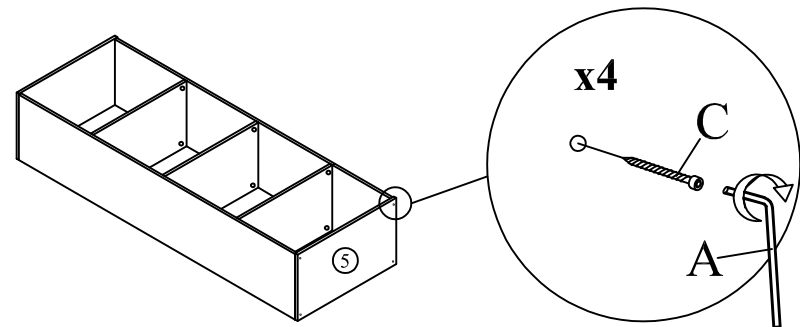


*Assemble right side panel (4), secure with Minifix as shown.

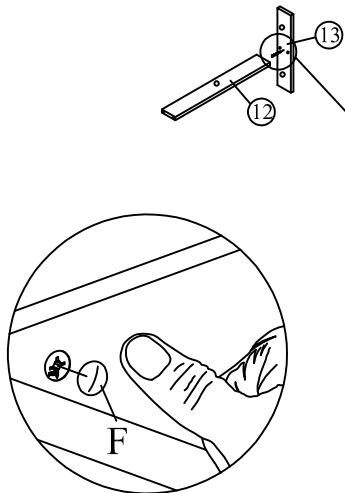
Step 8



Step 9



Step 10

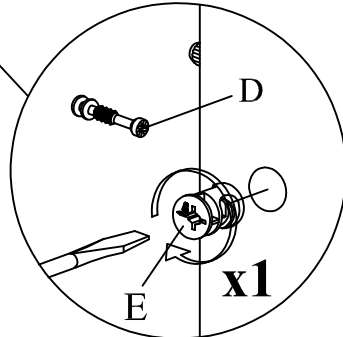


**Attach Minifix Cap as shown.*

This is how a mini fix works...

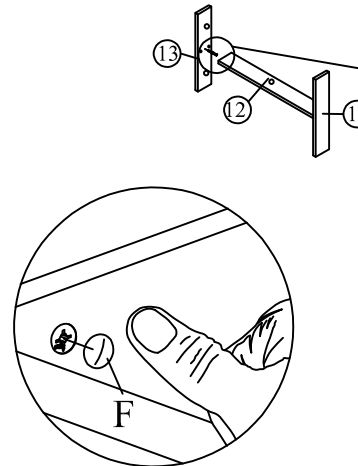


The head of the mini fix housing goes into the open mouth of the mini fix bolt. You then turn the mini fix housing so it tightens over the mini fix bolt.



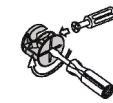
***Assemble middle support leg (12), side legs (13) secure with Minifix as shown.**

Step 11

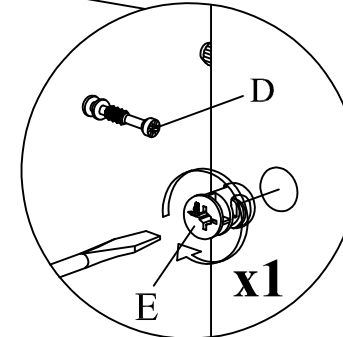


**Attach Minifix Cap as shown.*

This is how a mini fix works...

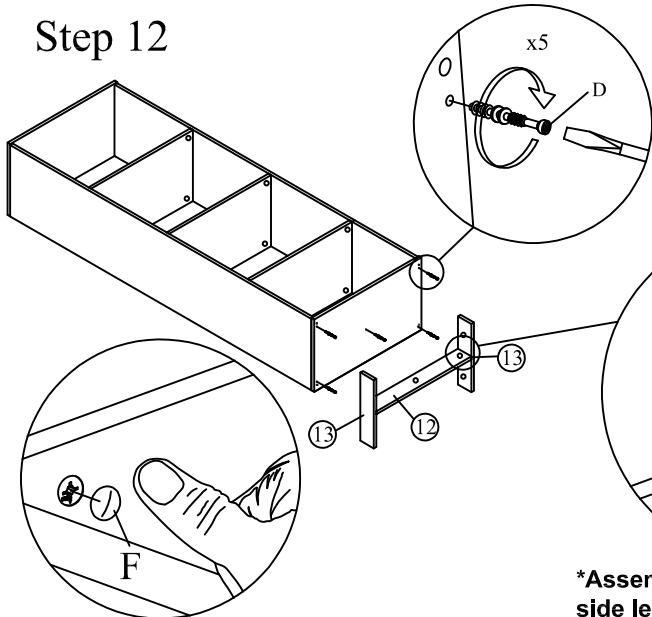


The head of the mini fix housing goes into the open mouth of the mini fix bolt. You then turn the mini fix housing so it tightens over the mini fix bolt.



***Assemble middle support leg (12), side legs (13) secure with Minifix as shown.**

Step 12

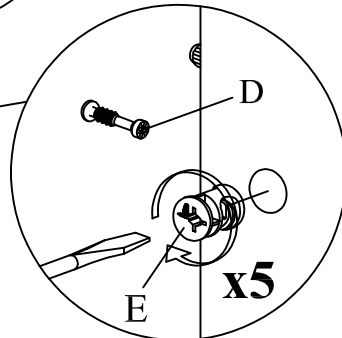


**Attach Minifix Cap as shown.*

This is how a mini fix works...

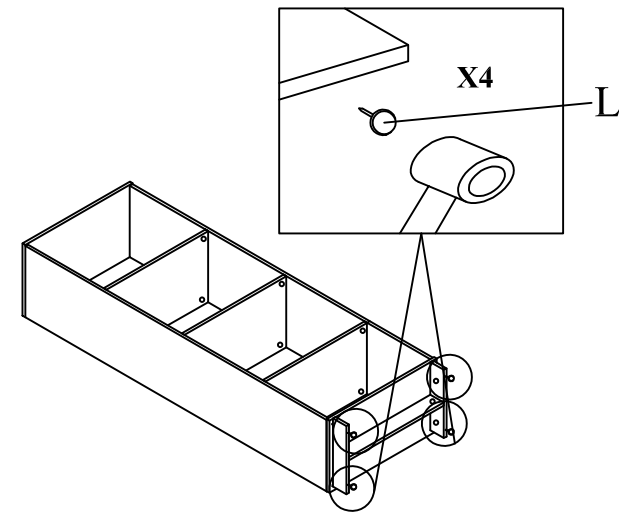


The head of the mini fix housing goes into the open mouth of the mini fix bolt. You then turn the mini fix housing so it tightens over the mini fix bolt.

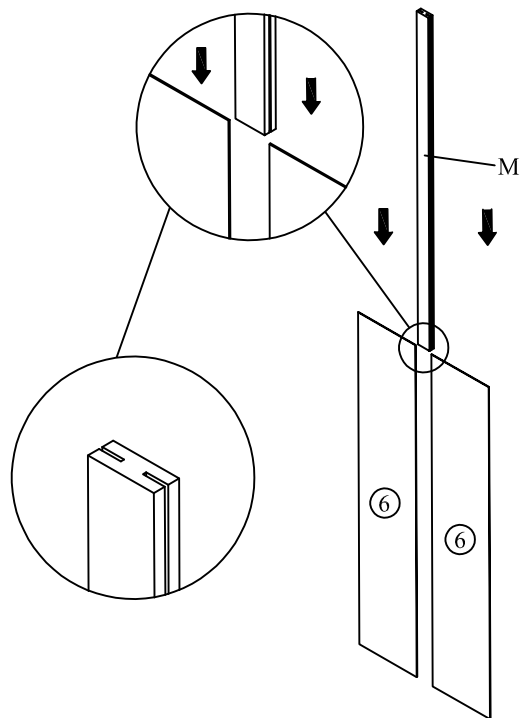


***Assemble middle support leg (12), side legs (13) secure with Minifix as shown.**

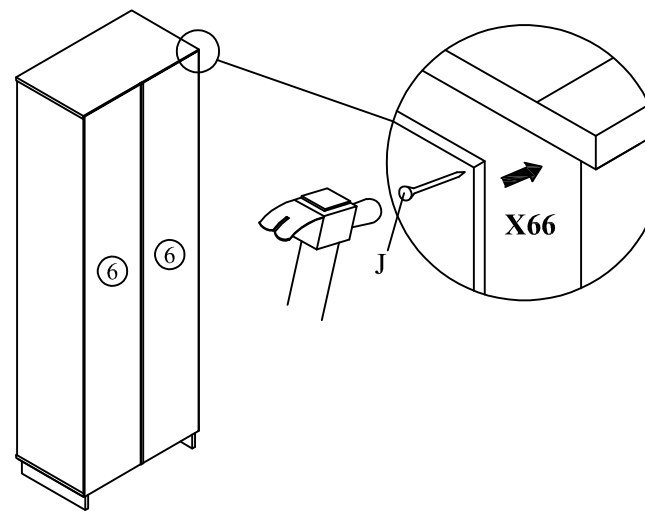
Step 13



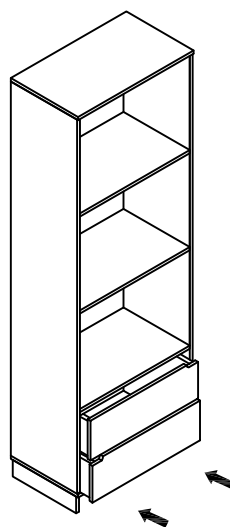
Step 14



Step 15



Step 16



Anti - Tapping

(A)



CSK Screw
M3.5x16mm
1PC

(B)



CSK Screw
M4x50mm
1PC

(C)

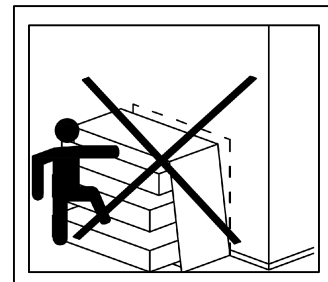
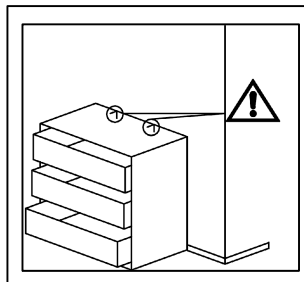


L BRACKET
2PCS

(D)



CABLE TIE
1PC



BACK VIEW

