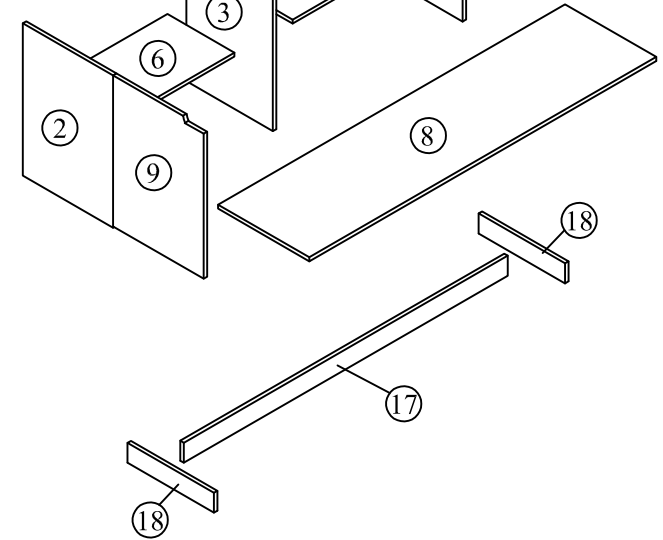
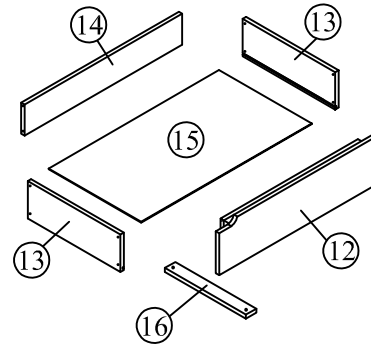
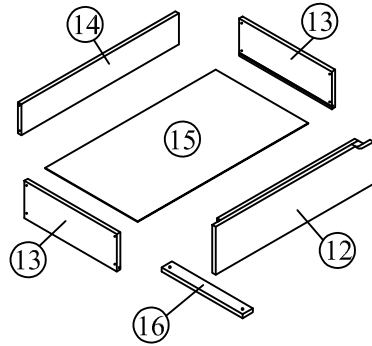
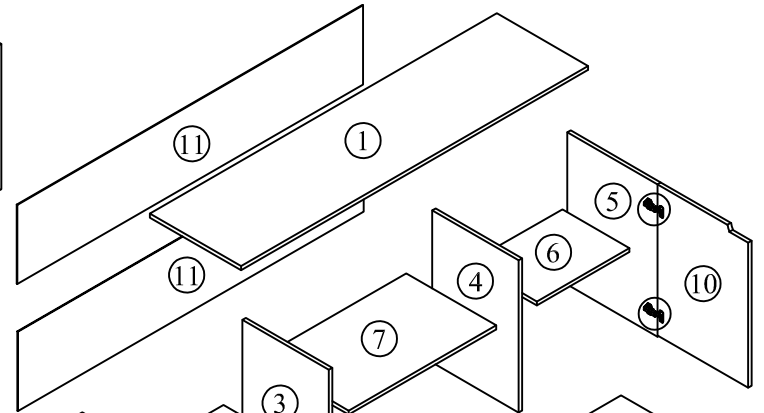
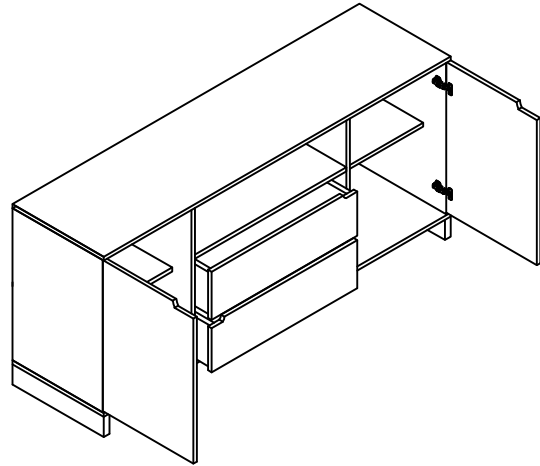


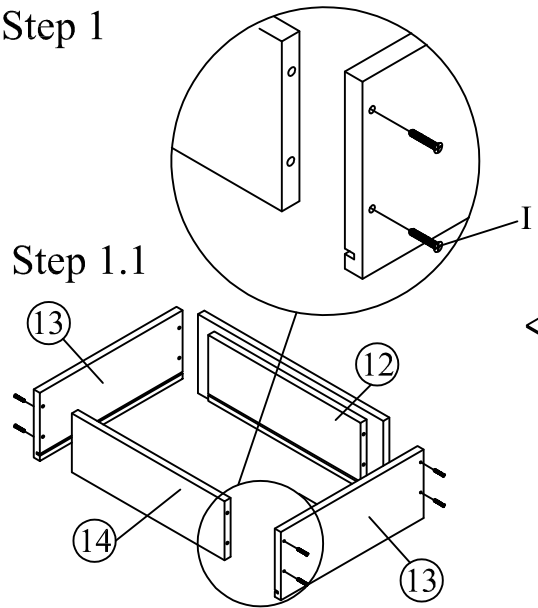
Assembly Instructions

| Part List | QTY | Part List | QTY |
|-------------------------------|-----|--------------------------------|-----|
| 1 Top Panel | 1 | 10 Door Panel | 1 |
| 2 Left Side Panel | 1 | 11 Back Panel | 2 |
| 3 Middle Panel | 1 | 12 Drawer Front Panel | 2 |
| 4 Middle Panel | 1 | 13 Drawer Side Panel | 4 |
| 5 Right Side Panel | 1 | 14 Drawer Back Panel | 2 |
| 6 Middle Support Panel | 2 | 15 Drawer Bottom Panel | 2 |
| 7 Middle Support Centre Panel | 1 | 16 Drawer Support Bottom Panel | 2 |
| 8 Bottom Panel | 1 | 17 Middle Support Legs | 1 |
| 9 Door Panel | 1 | 18 Side Legs | 2 |

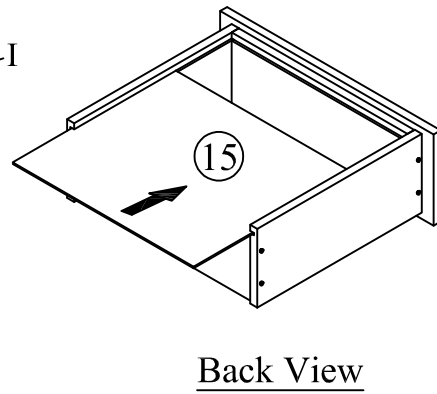
| Hardware | QTY |
|-----------------------|-----|
| A Allen Key M4 | 1 |
| B Wood Dowel | 28 |
| C JCBC W Screw M6x40 | 12 |
| D Mini Fix Bolt | 16 |
| E Mini Fix Housing | 16 |
| F Mini Fix Cap | 16 |
| G CSK Screw M3.5x16mm | 48 |
| H CSK Screw M4x32mm | 4 |
| I CSK Screw M4x50mm | 16 |
| J Power Nail ⅝ | 92 |
| K 350mm Drawer Slide | 2 |
| L Shelf Support Metal | 8 |
| M Hinges | 4 |
| N White Nail Leg | 5 |



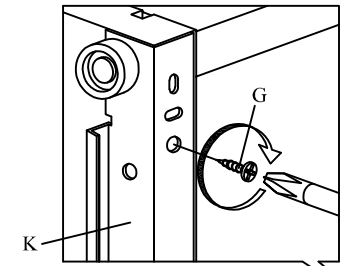
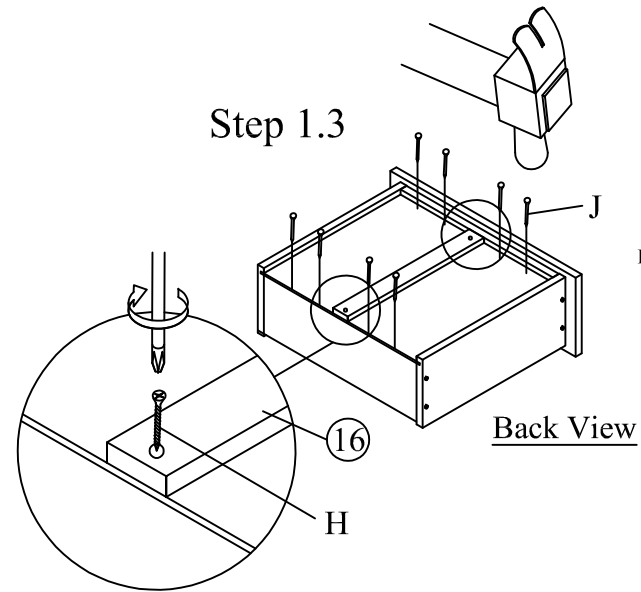
Step 1



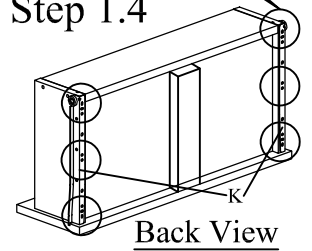
Step 1.2



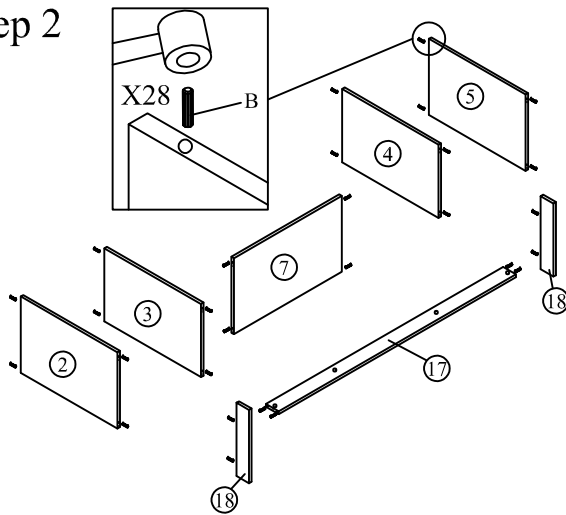
Step 1.3



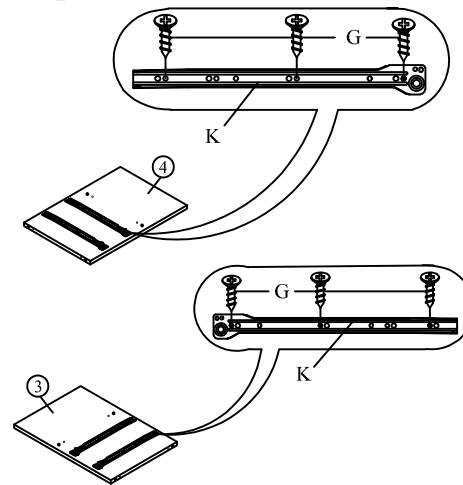
Step 1.4



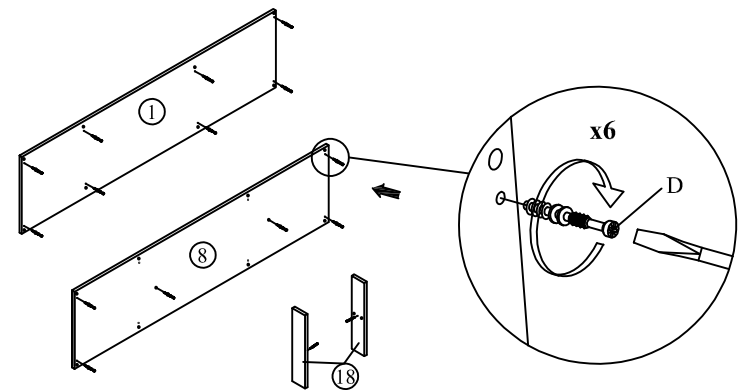
Step 2



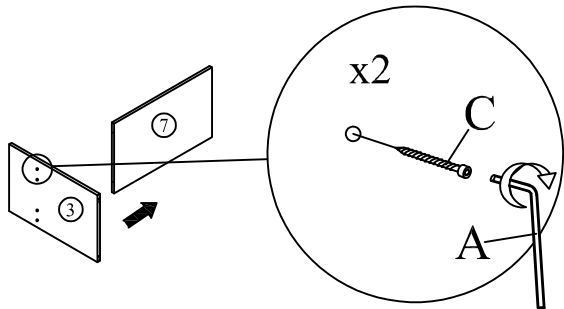
Step 3



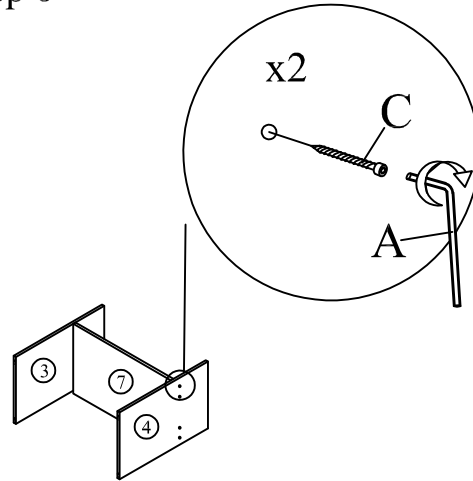
Step 4



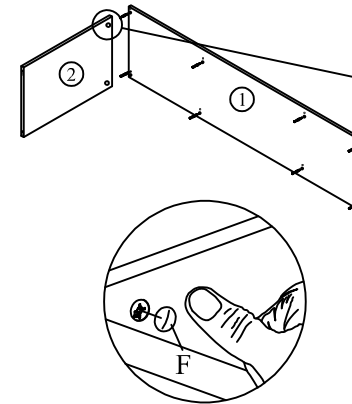
Step 5



Step 6



Step 7

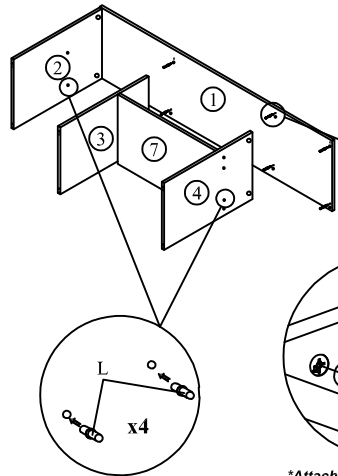


This is how a mini fix works...
 The head of the mini fix housing goes into the open mouth of the mini fix bolt. You then turn the mini fix housing so it tightens over the mini fix bolt.

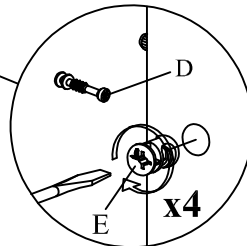
***Assemble left side panel (2), secure with Minifix as shown.**

**Attach Minifix Cap as shown.*

Step 8



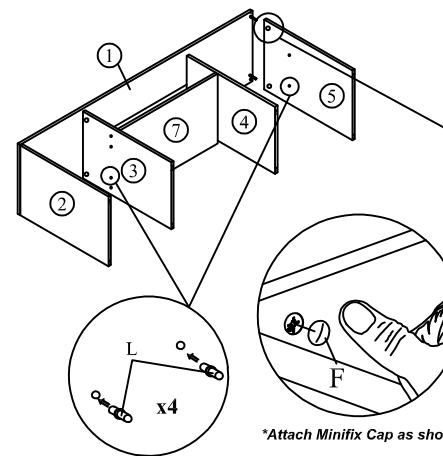
This is how a mini fix works...
 The head of the mini fix housing goes into the open mouth of the mini fix bolt. You then turn the mini fix housing so it tightens over the mini fix bolt.



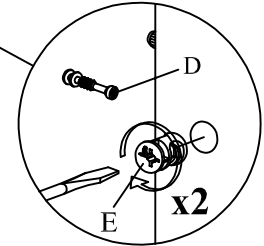
***Assemble middle panel (3),(4), secure with Minifix as shown.**

**Attach Minifix Cap as shown.*

Step 9



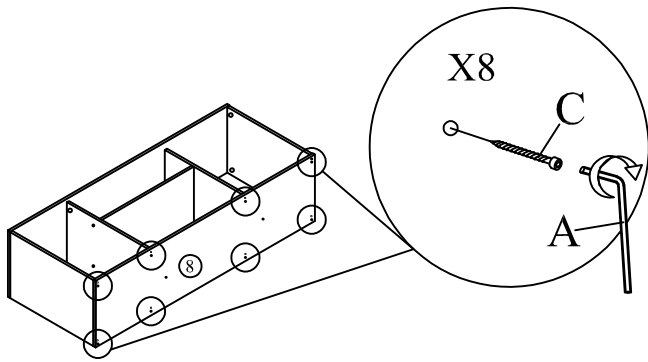
This is how a mini fix works...
 The head of the mini fix housing goes into the open mouth of the mini fix bolt. You then turn the mini fix housing so it tightens over the mini fix bolt.



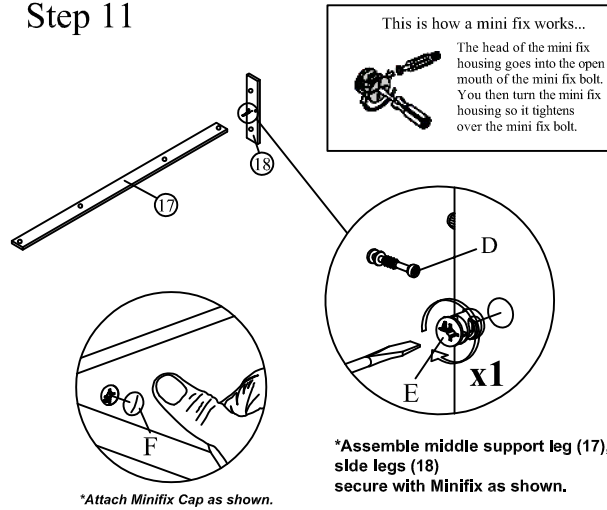
***Assemble right side panel (5), secure with Minifix as shown.**

**Attach Minifix Cap as shown.*

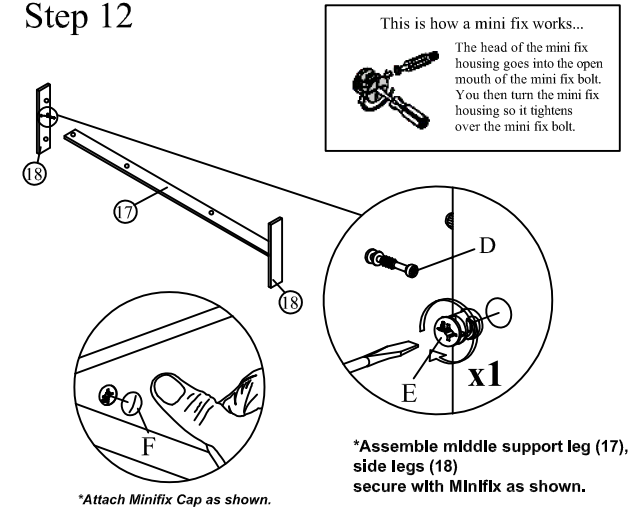
Step 10



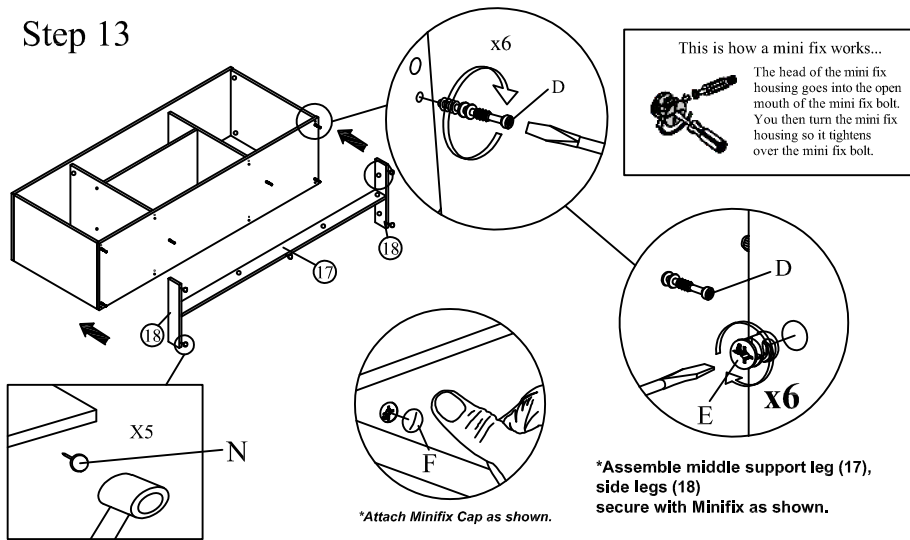
Step 11



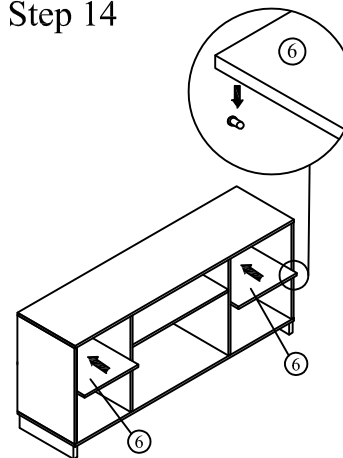
Step 12



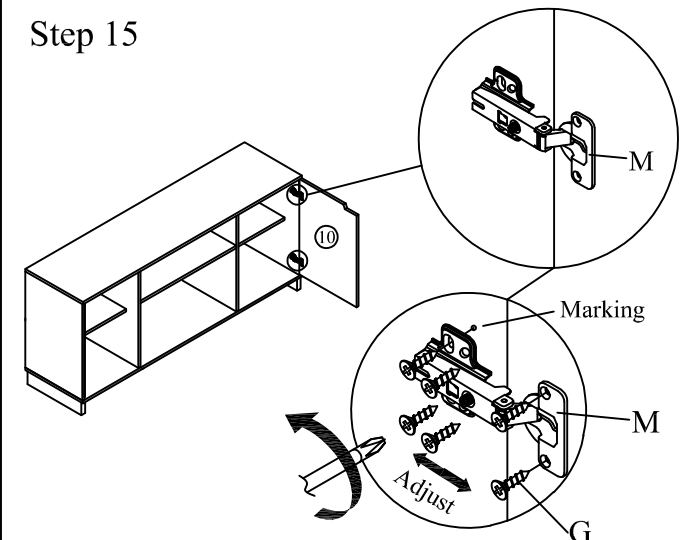
Step 13



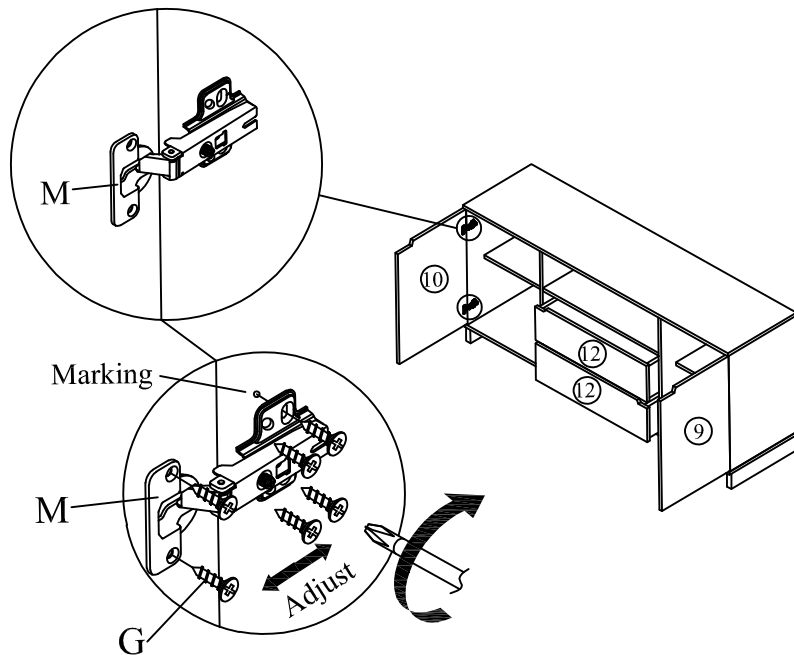
Step 14



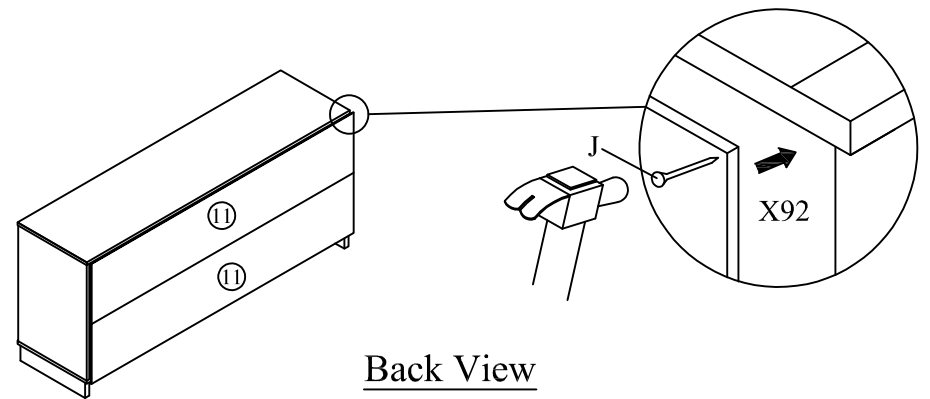
Step 15



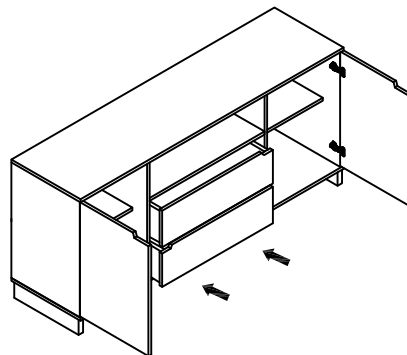
Step 16



Step 17



Step 18



Anti -
Tapping

(A)



CSK Screw
M3.5x16mm
1PC

(B)



CSK Screw
M4x50mm
1PC

(C)

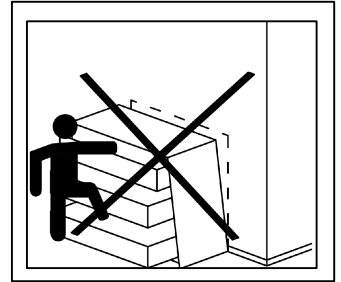
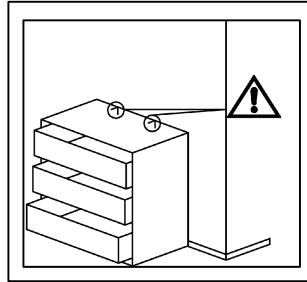


L BRACKET
2PCS

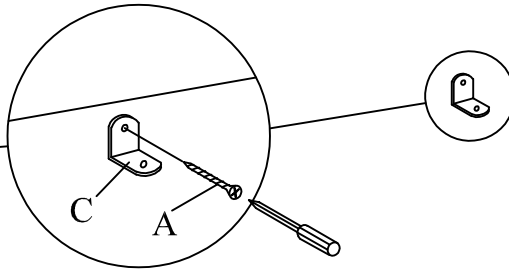
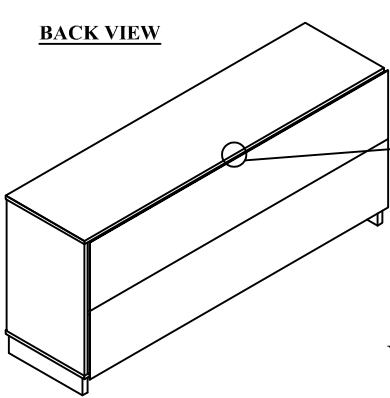
(D)



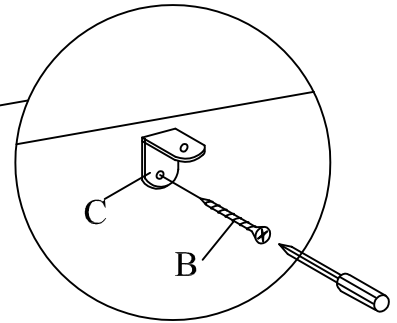
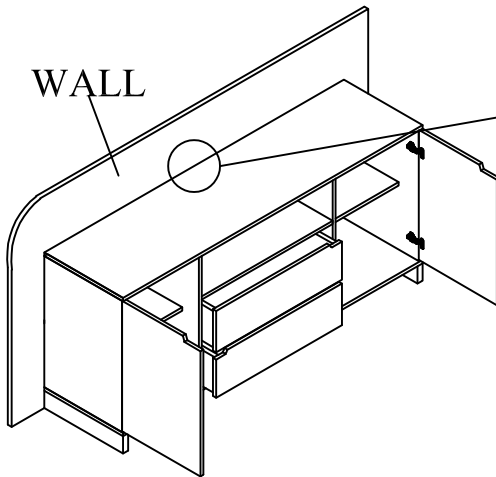
CABLE TIE
1PC



BACK VIEW



WALL



WALL

