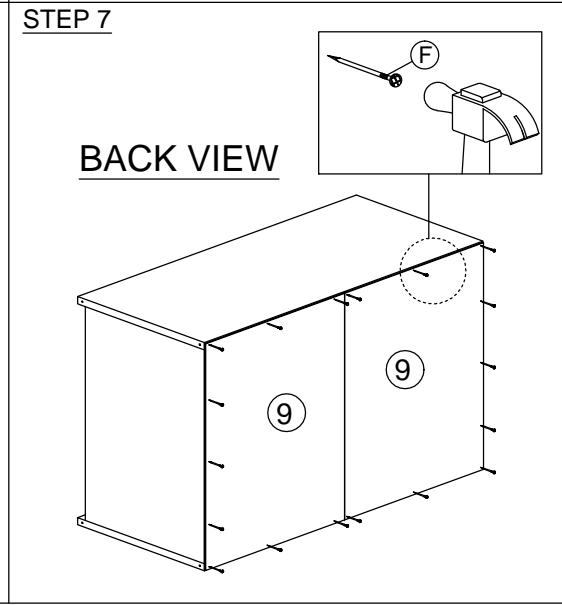
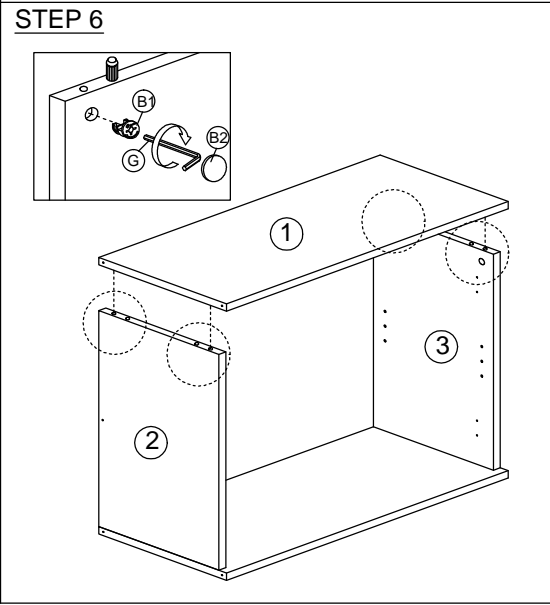
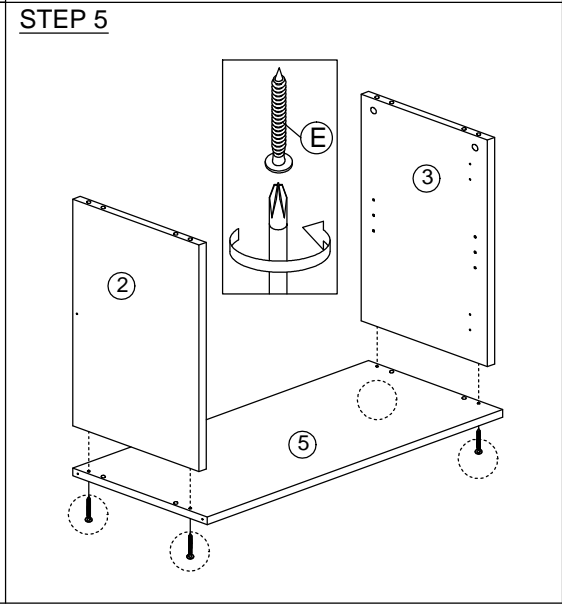
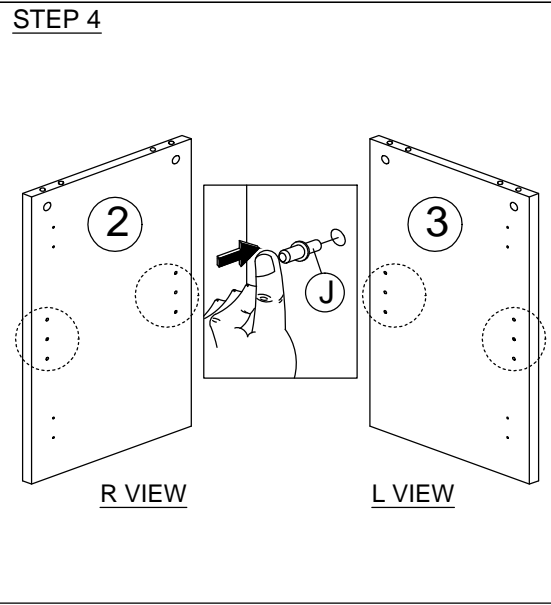
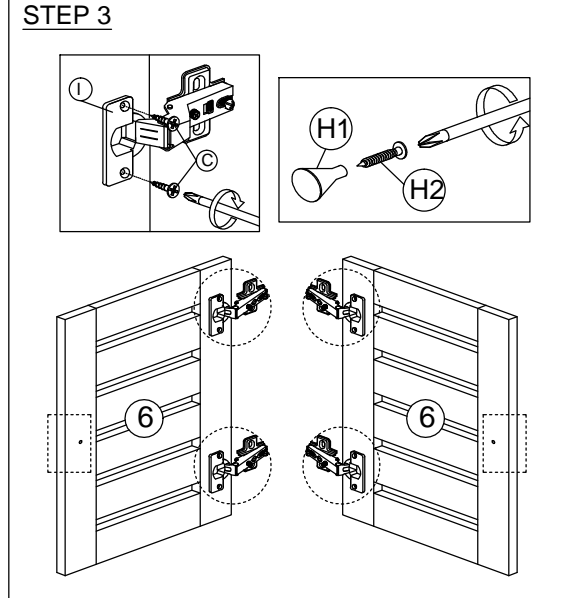
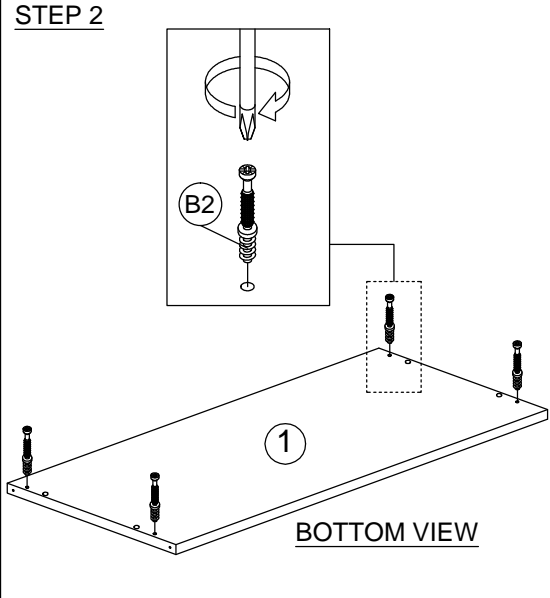
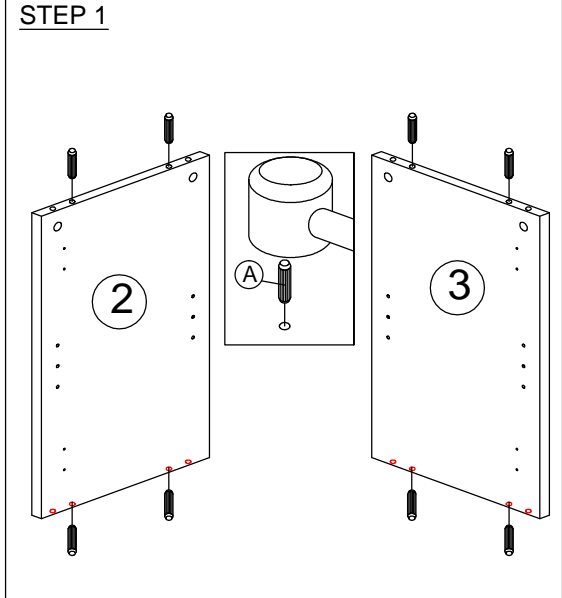
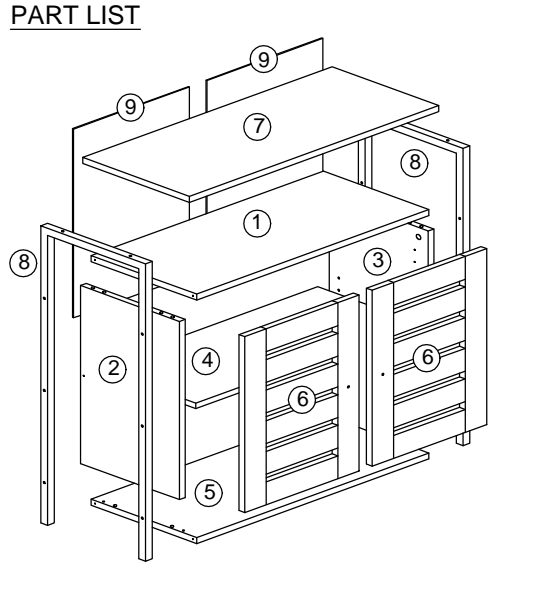


# ASSEMBLY INSTRUCTION

MODEL : MP 007

DESCRIPTION : MULTIPURPOSE CABINET

HARDWARE	A	B	C	D	E	F	G	H	I	J		
	WOOD DOWEL M8 X 25MM	MINIFIX 5654+5546	QUICKFIT CAP	CB SCREW M3.5X16MM	CB SCREW M4X32MM	CB SCREW M4X45MM	NAIL 5/8	L KEY	HANDLE SVK 48	CB SCREW M4X25MM	HINGES 5/8	SHELF SUPPORT
	8	4 SETS	16	6	12	18	1	2	2	4	4	





SOFT, DRY CLOTH



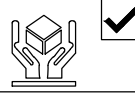
CHEMICAL



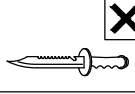
HEAT



KEEP DRY



HANDLE WITH CARE



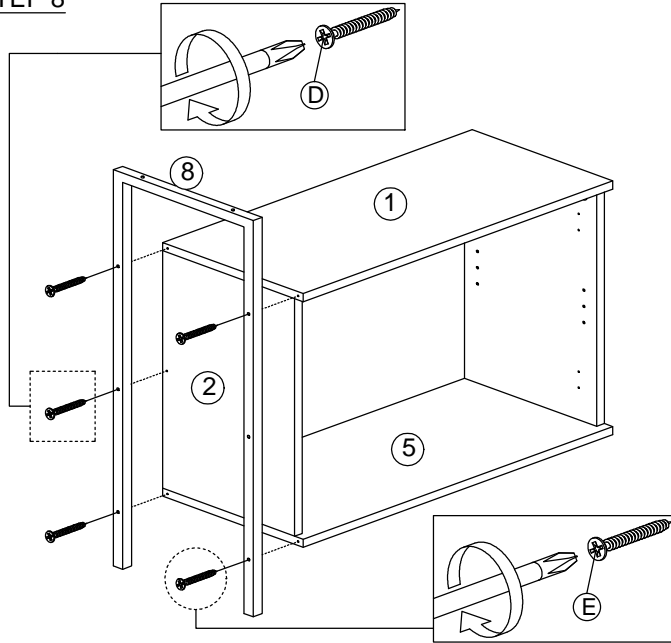
DO NOT USE KNIFE

# ASSEMBLY INSTRUCTION

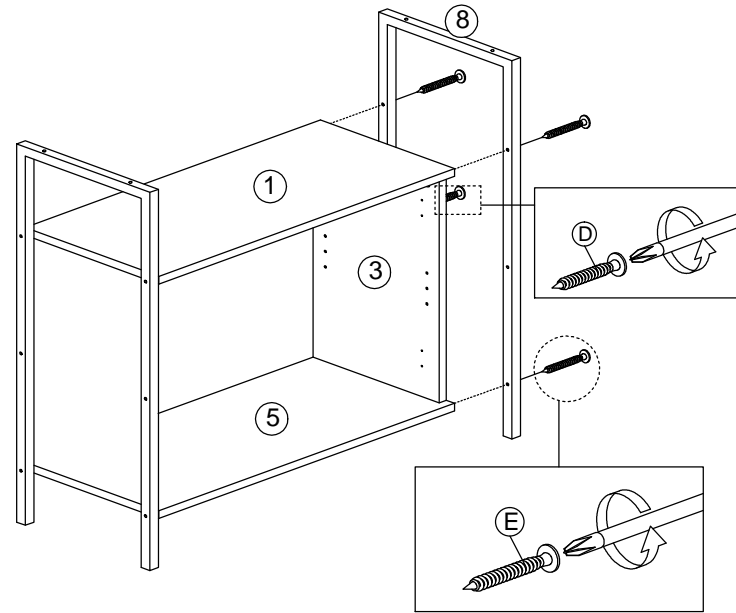
MODEL : MP 007

DESCRIPTION : MULTIPURPOSE CABINET

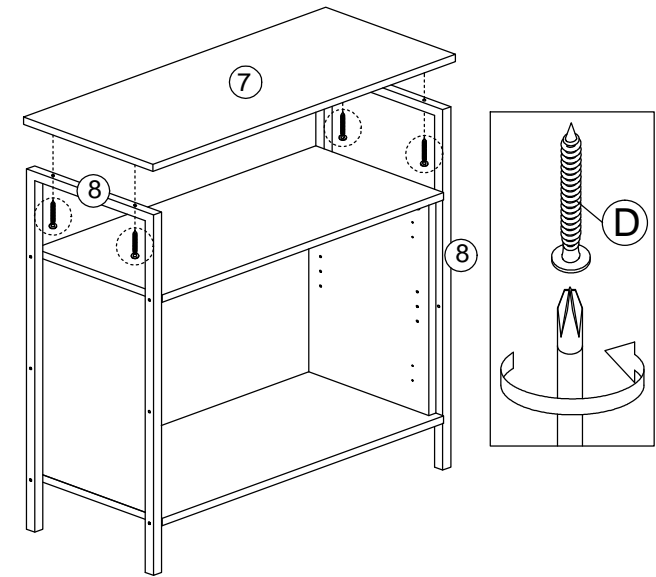
## STEP 8



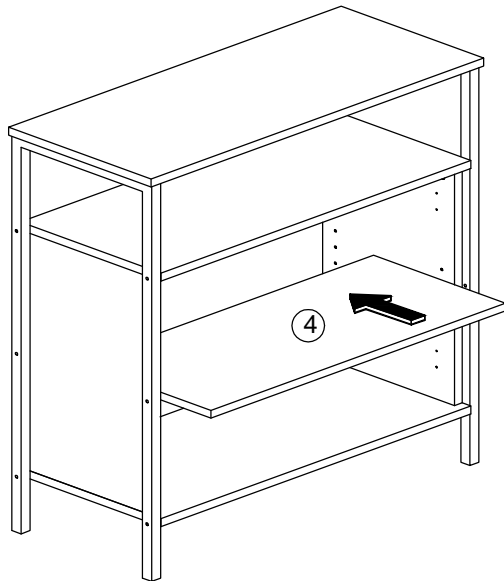
## STEP 9



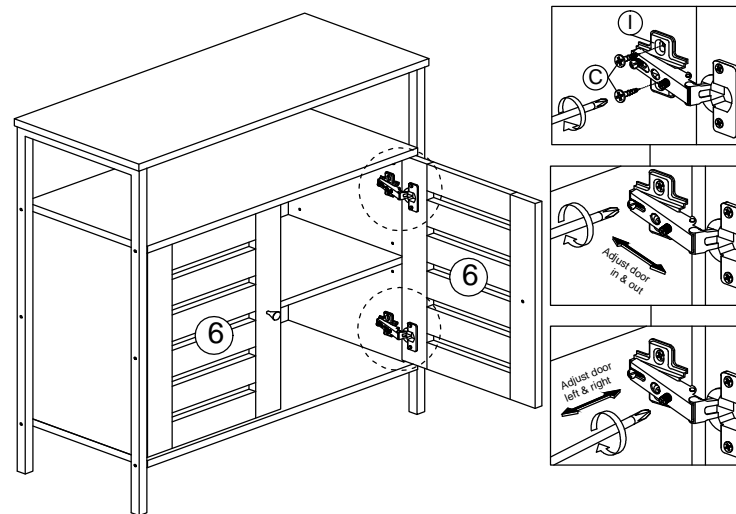
## STEP 10



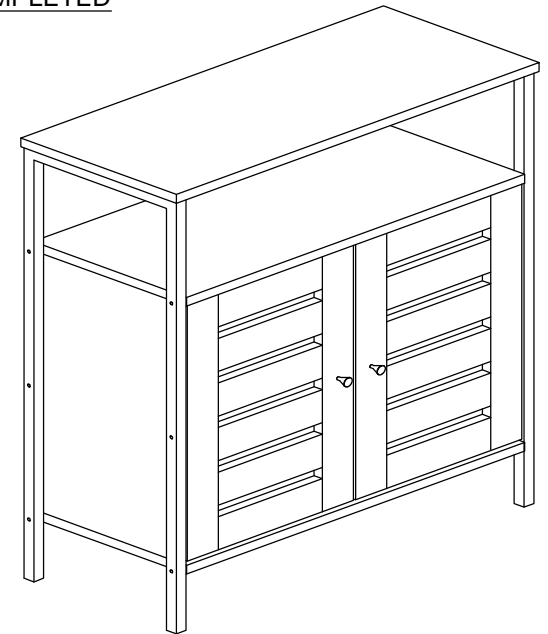
## STEP 11



## STEP 12

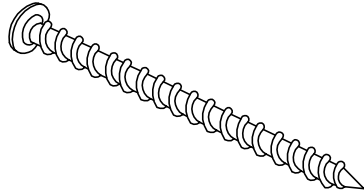


## COMPLETED

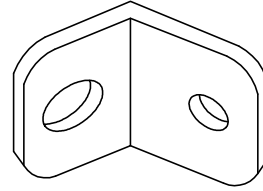


# Installation of Anti-Tip Restraint

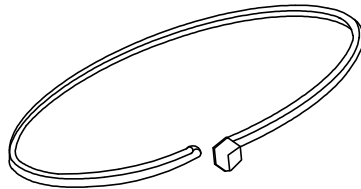
Kit includes:



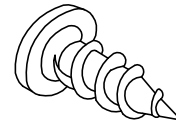
**A (x1)**  
**Long screw**



**B (x2)**  
**Mounting bracket**



**C (x1)**  
**Restraint strap**



**D (x1)**  
**Short screw**



## WARNING



**Serious or fatal crushing injuries can occur from furniture tip-over. To help Prevent tip-over:**

- Install tip-over restraint provided
- Place heaviest items in the lower drawers
- Do not set TV's or other heavy objects on top of this product
- Never allow children to climb or hang on drawers, doors or shelves
- Never open more than one drawer at a time
- Do not defeat or remove the drawer interlock system

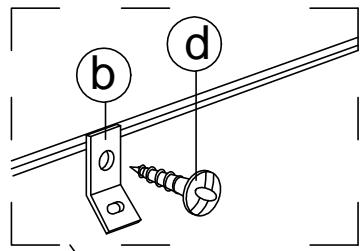
**Use tip-over restraints may only reduce but not eliminate the risk of tip-over.**

**IMPORTANT:** Use of this safety kit is mandatory. This restraint is not a substitute for proper adult supervision. Failure to detach this restraint before moving furniture may result in injury and damage.

# FITTING OF ANTI-TIP SAFETY STRAP

## STEP 1:

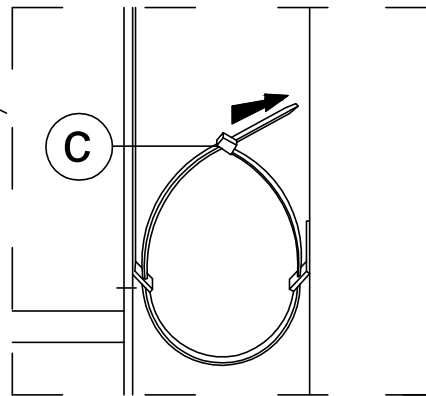
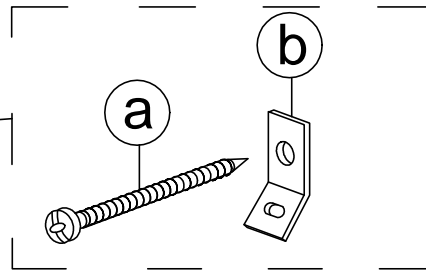
- Attach the mounting bracket (b) to the furniture in the solid part below the top panel a few inches away from the side of the unit.
- Screw (d) through the smallest hole of (b).



BACK SIDE OF TOP PANEL

## STEP 2:

- Locate a stud in behind the have to
- Place the other mounting bracket (b) on the wall stud 2 inches below the mounting bracket secured to the back of your unit.
- Attach to the wall stud using (a) through the smaller hole of (b).



## STEP 3:

- Repeat the same step a few inches away from the other side of the unit.
- Place the furniture into position so both mounting brackets are vertically in line.
- Lace the end of the restraint strap through the larger holes in each mounting bracket.
- Secure the straps and lock into place.

FURNITURE

WALL

