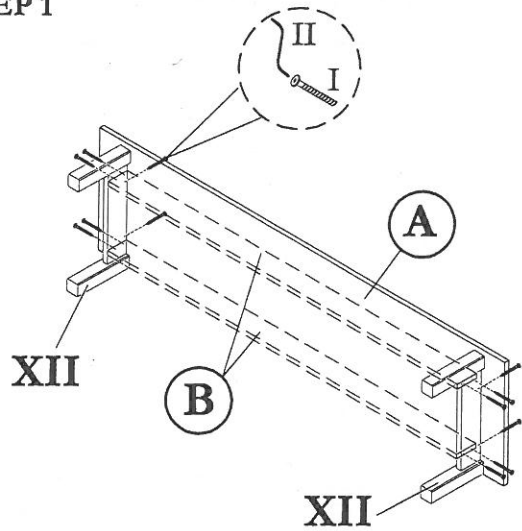


ASSEMBLY INSTRUCTION

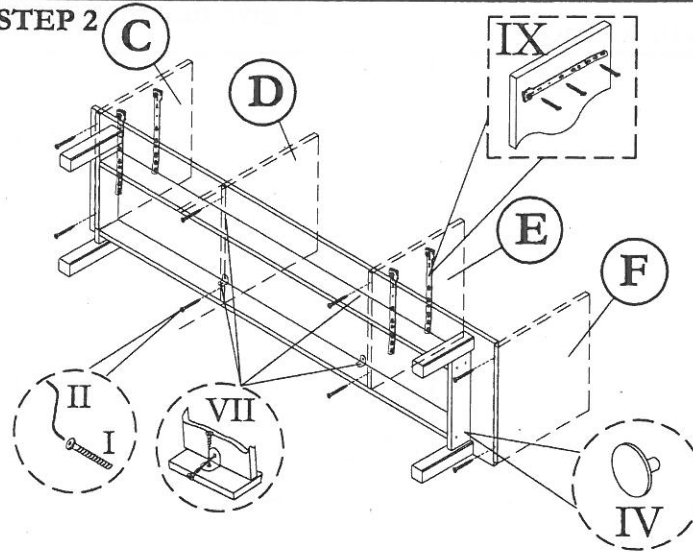
MODEL : 8235 / TV CABINET

Before you begin, please follow assembly instruction carefully.
Then follow them step by step.

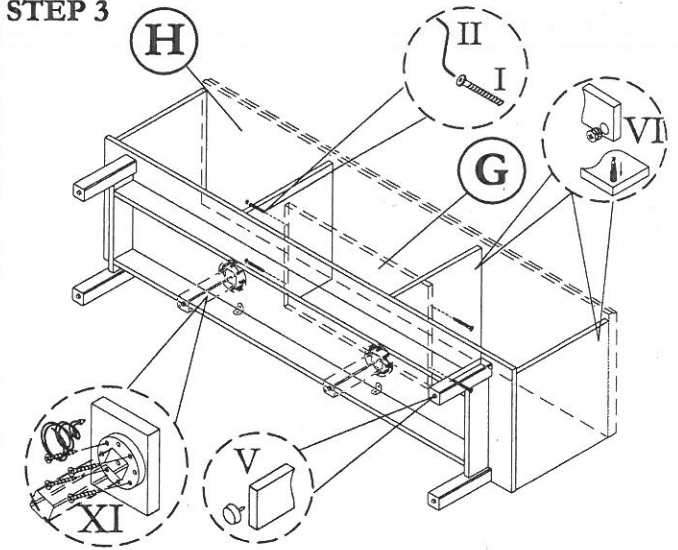
STEP 1



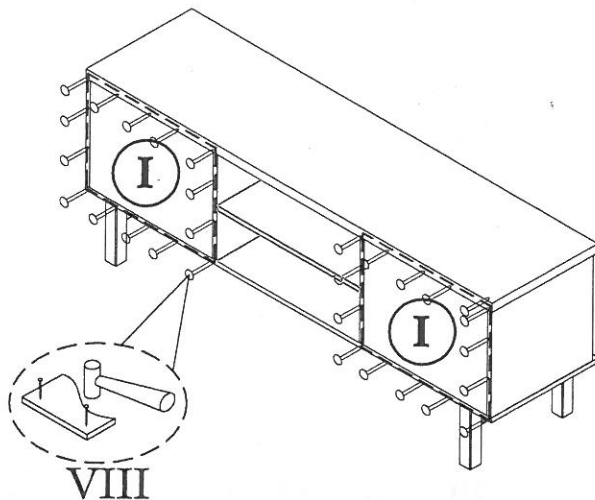
STEP 2



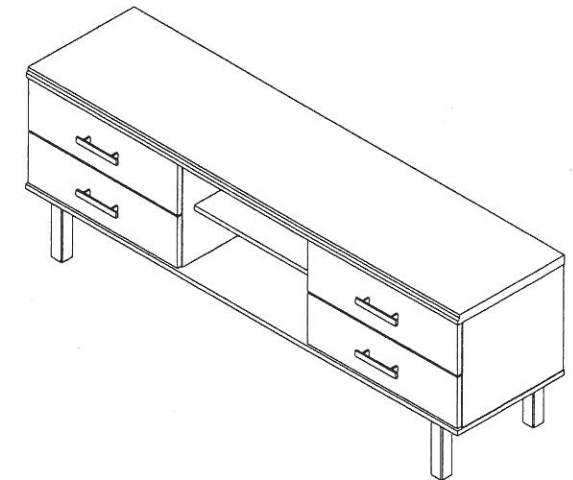
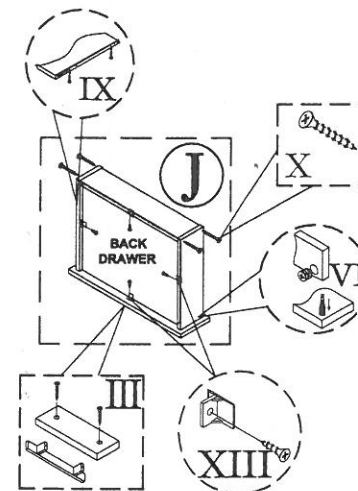
STEP 3



STEP 4



STEP 5



HARDWARE LIST			
NO	DESCRIPTION		QTY
I	JCBCW SCREW M6 x 45		24pcs
II	M4 ALLEN KEY		1pc
III	HANDLE & SCREW M3.5 x 30		4sets
IV	CAP SMALL		8pcs

V	PVC NAIL WITH PIN		6pcs
VI	Q-FIT		24sets
VII	L BRACKET & SCREW M3.5 x 12		4sets
VIII	NAIL		50pcs
IX	12" DRAWER SLIDER & SCREW M3.5 x 12		4sets
X	M8 x 32 CHIPBOARD SCREW		16pcs

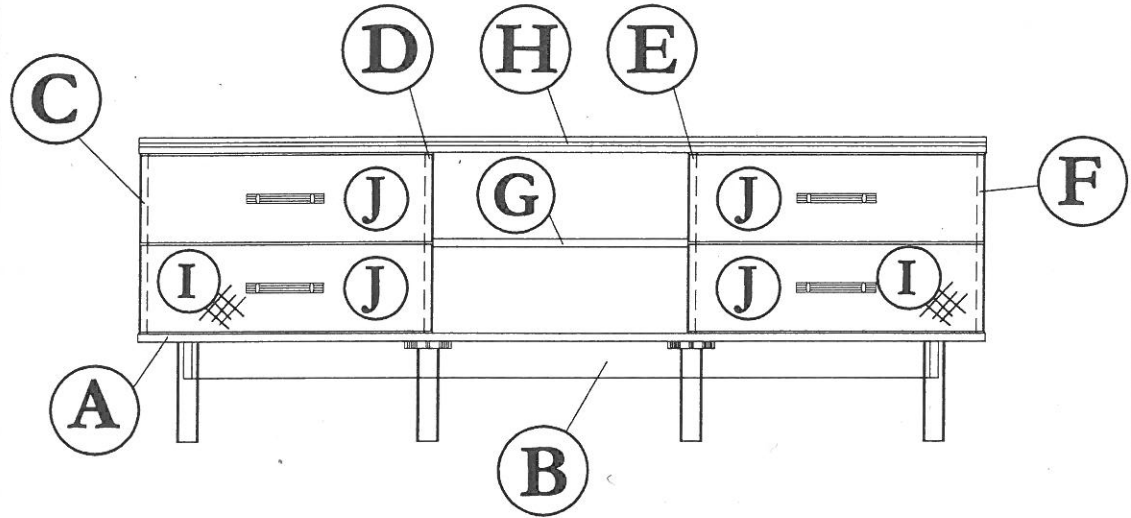
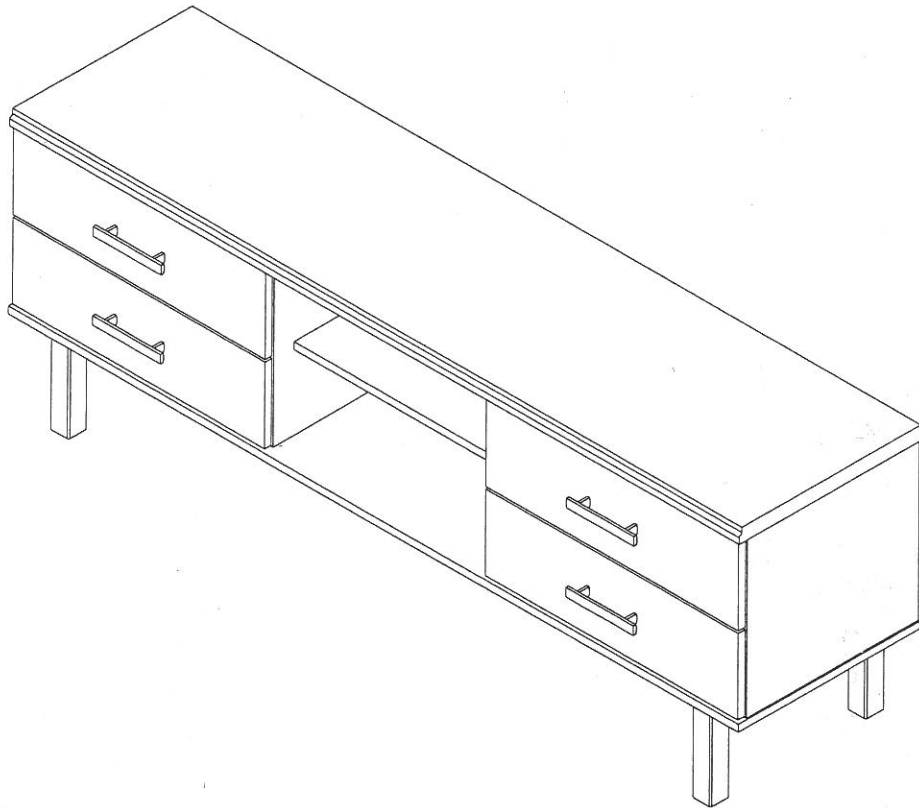
XI	WOOD LEG, SUPPORT & SCREW M3.5 x 20		2sets
XII	WOOD LEG SIZE : 14 7/8 "		2pcs
XIII	DRAWER SUPPORT & SCREW M3.5 x 12		16sets

CAUTION:

To clean use soft, dry cloth. Do not use detergent or chemicals
Avoid contact with water and direct sunlight.
To be assembled on a soft, dry, clean and smooth surface.

ORDERING REPAIR PARTS

In order to obtain smooth and rapid service when ordering repair parts,
please give full attention to the following of PART NUMBER.



COMPLETE SET

NO	DESCRIPTION	QTY
A	LOWER SHELF	01
B	LEG	02
C	LEFT SIDE	01
D	CENTRE VERTICAL	01
E	CENTRE VERTICAL	01
F	RIGHT SIDE	01

NO	DESCRIPTION	QTY
G	CENTRE SHELF	01
H	TOP	01
I	BACK (Left / Right)	02
J	DRAWER FACE	04