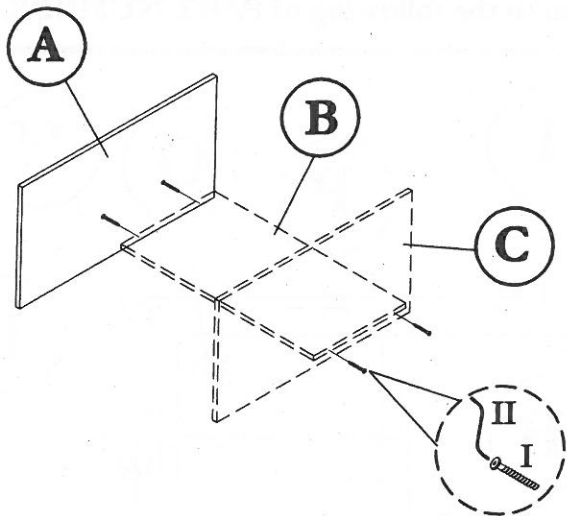


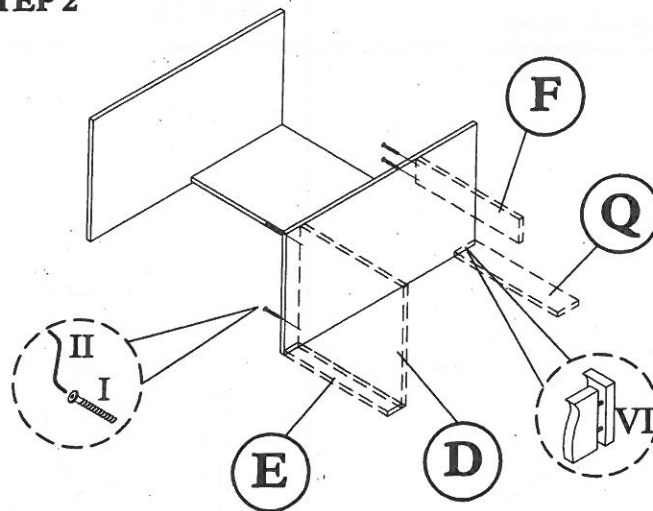
ASSEMBLY INSTRUCTION
MODEL : 6005 / OFFICE TABLE

Before you begin, please follow assembly instruction carefully.
 Then follow them step by step.

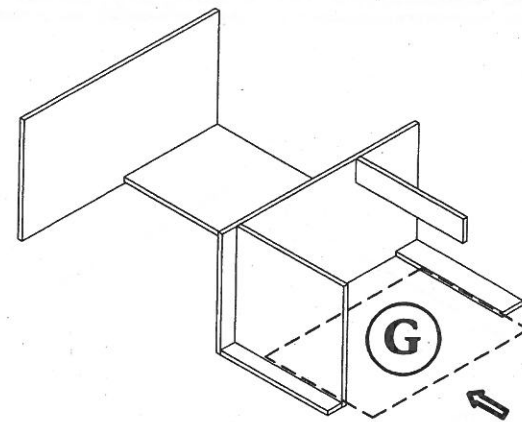
STEP 1



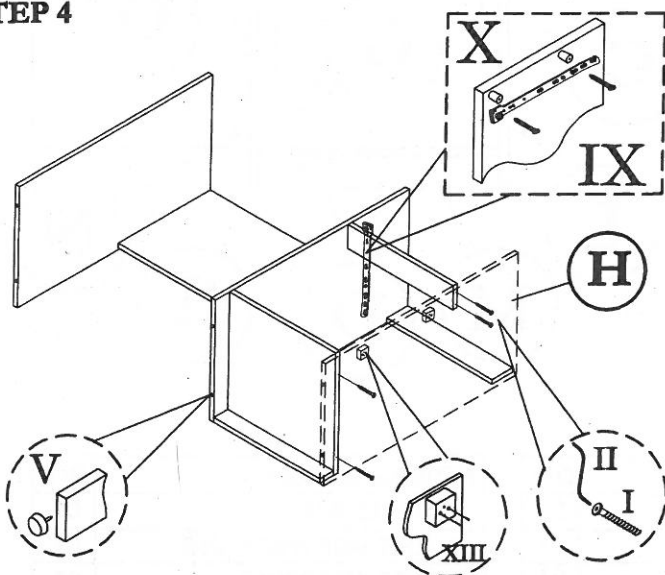
STEP 2



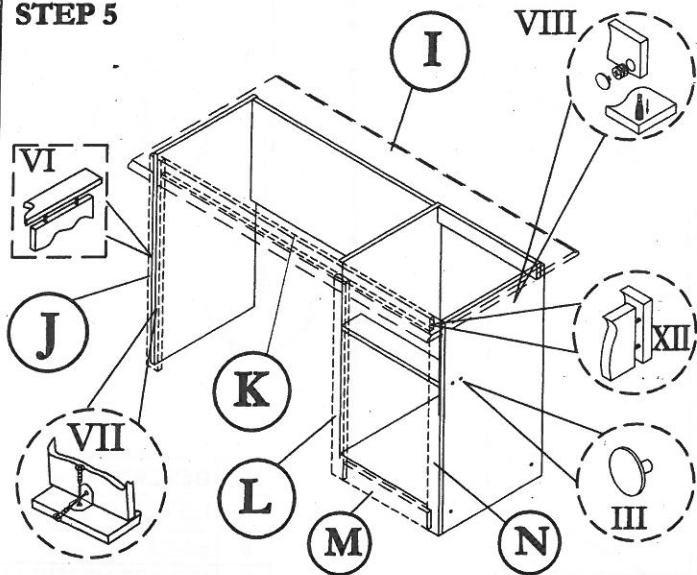
STEP 3



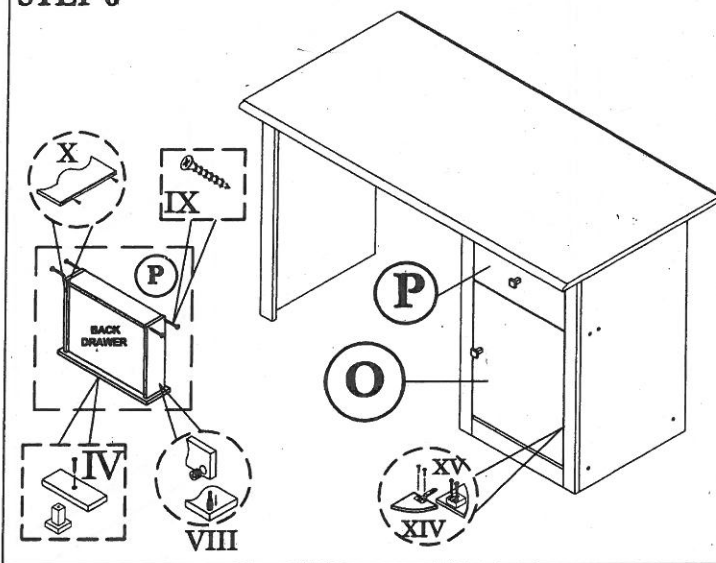
STEP 4



STEP 5



STEP 6



HARDWARE LIST			
NO	DESCRIPTION		QTY
I	JCBCW SCREW M6 x 45		12pcs
II	M4 ALLEN KEY		1pc
III	CAP SMALL		10pcs
IV	HANDLE & SCREW M3.5 x 30		2sets
V	PLASTIC NAIL WITH PIN		6pcs

VI	M8 x 30 PLASTIC DOWEL		17pcs
VII	L BRACKET & SCREW M3.5 x 12		12sets
VIII	Q-FIT		10sets
IX	M8 x 32 CHIPBOARD SCREW		4pcs
X	DRAWER SLIDER & SCREW M3.5 x 12		1sets
XI	01-32 SPACE PARTS & SCREW M4 x 50		2sets
XII	M6 x 40 WOOD DOWEL		6pcs

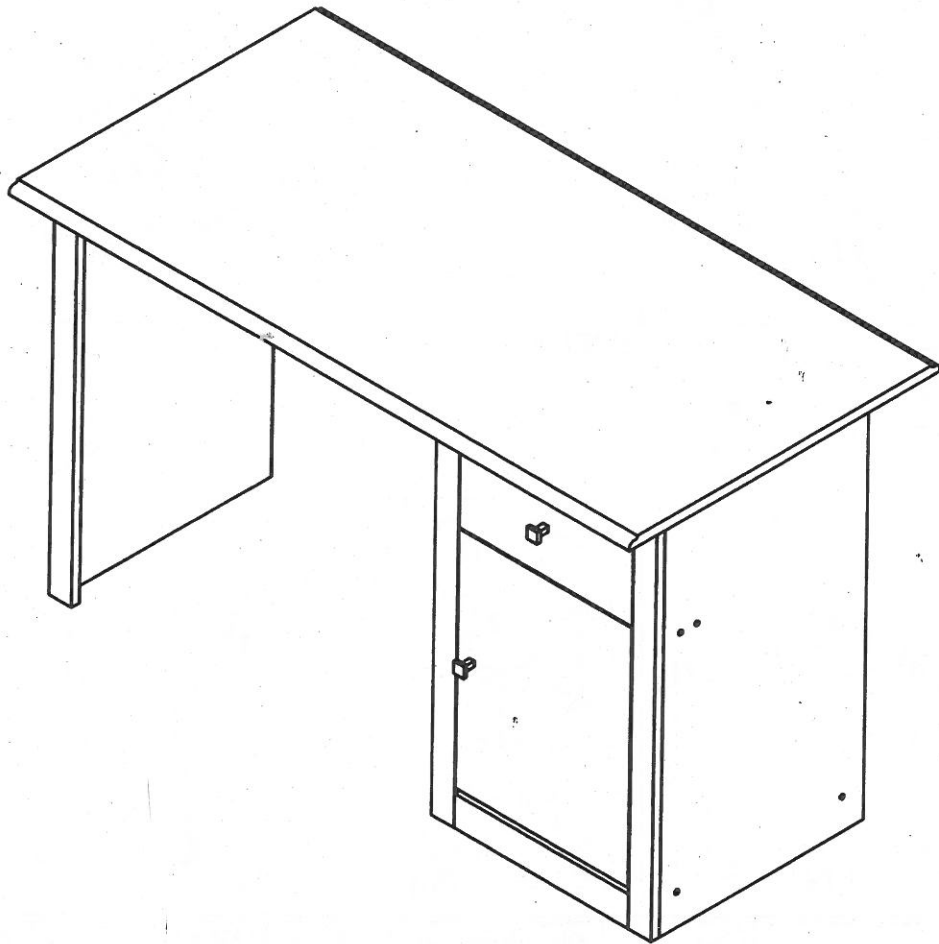
XIII	HINGES SUPPORT & SCREW M4 x 50		2sets
XIV	HINGES (B) & SCREW M3.5 x 16		2sets
XV	M4 x 25 CHIPBOARD SCREW		4pcs

CAUTION:

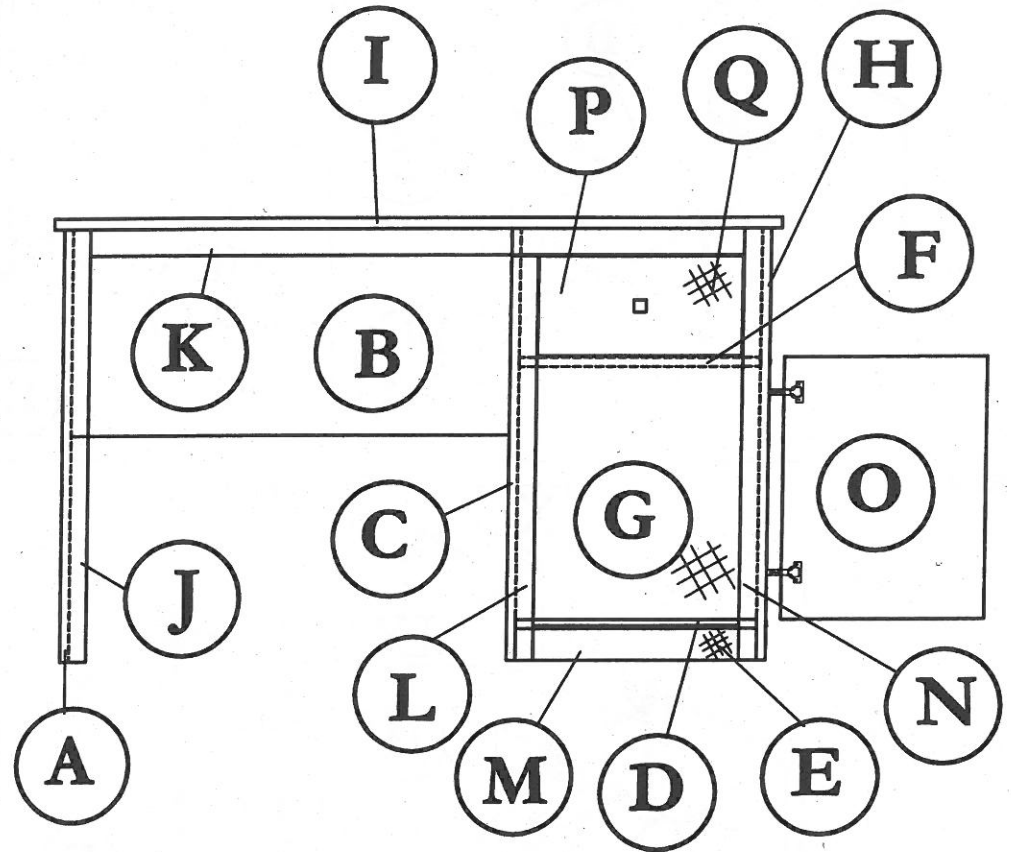
To clean use soft, dry cloth. Do not use detergent or chemicals
 Avoid contact with water and direct sunlight.
 To be assembled on a soft, dry, clean and smooth surface.

ORDERING REPAIR PARTS

In order to obtain smooth and rapid service when ordering repair parts,
 please give full attention to the following of PART NUMBER.



COMPLETE SET



NO	DESCRIPTION	QTY
A	LEFT SIDE	01
B	BACK	01
C	CENTRE VERTICAL	01
D	LOWER SHELF	01
E	LEG	01
F	CENTRE SHELF	01
G	BACK	01
H	RIGHT SIDE	01

NO	DESCRIPTION	QTY
I	TABLE TOP	01
J	LEFT SIDE WRAPPING	01
K	TOP WRAPPING	01
L	CENTRE WRAPPING	01
M	LOWER WRAPPING	01
N	RIGHT SIDE WRAPPING	01
O	DOOR	01
P	DRAWER FACE	01
Q	BACK SUPPORT	01