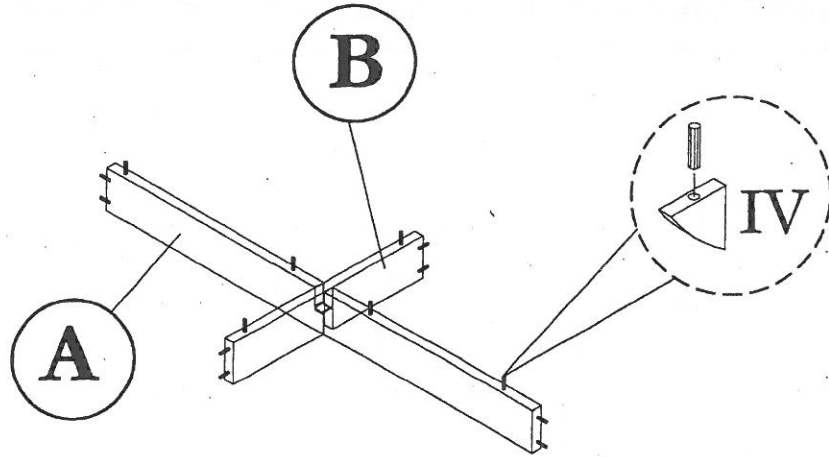


ASSEMBLY INSTRUCTION

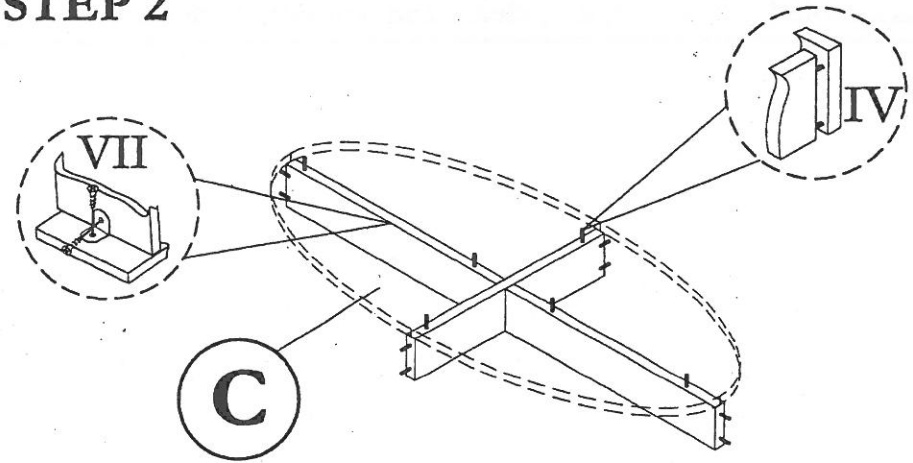
MODEL : 2106/ COFFEE TABLE

Before you begin, please follow assembly instruction carefully.
Then follow them step by step.

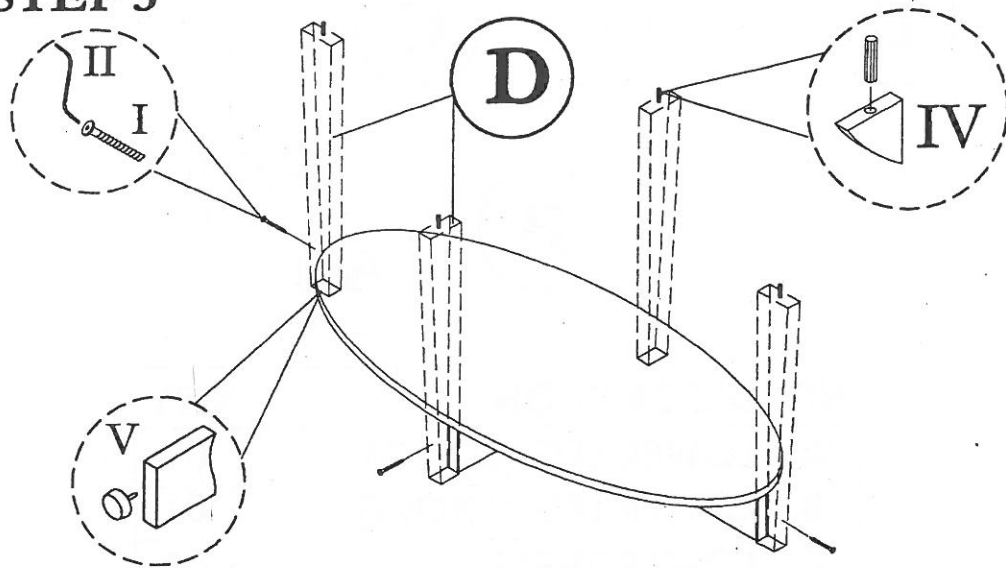
STEP 1



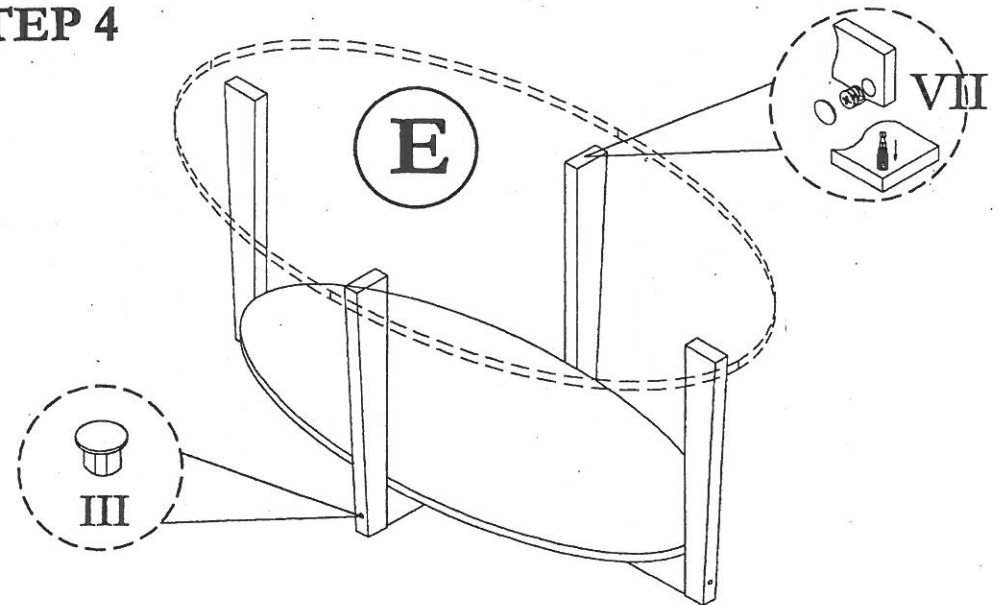
STEP 2





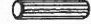
STEP 3






STEP 4



HARDWARE LIST		
NO	DESCRIPTION	QTY
I	JCBCW SCREW M6 x 45	4pcs

II	M4 ALLEN KEY		1pc
III	CAP BIG		4pcs
IV	M8 X 30 PLASTIC DOWEL		14pcs

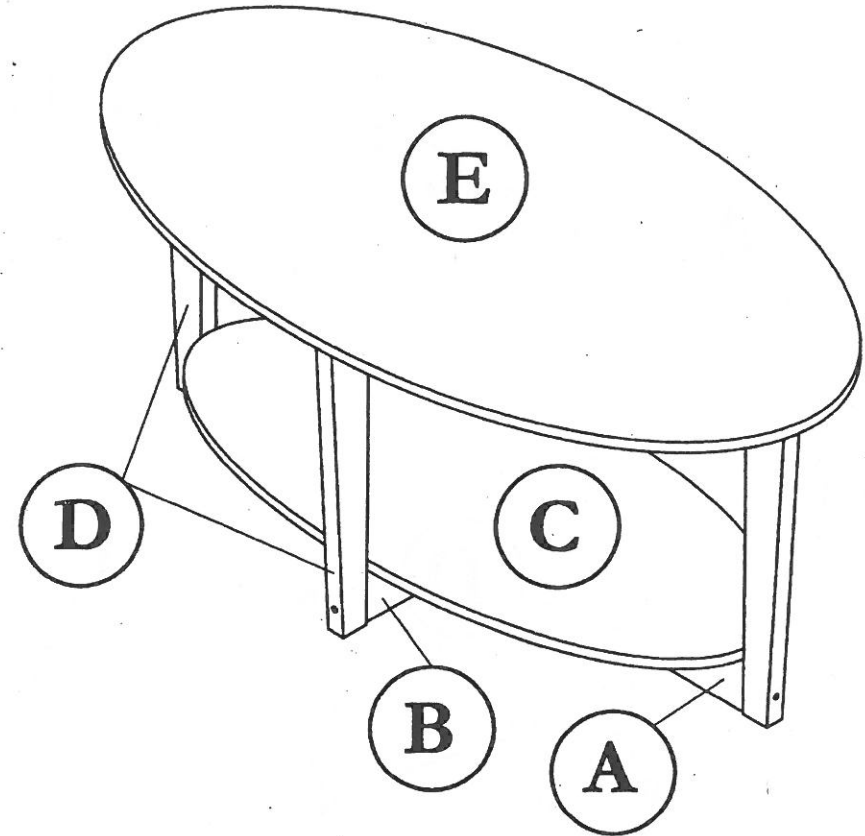
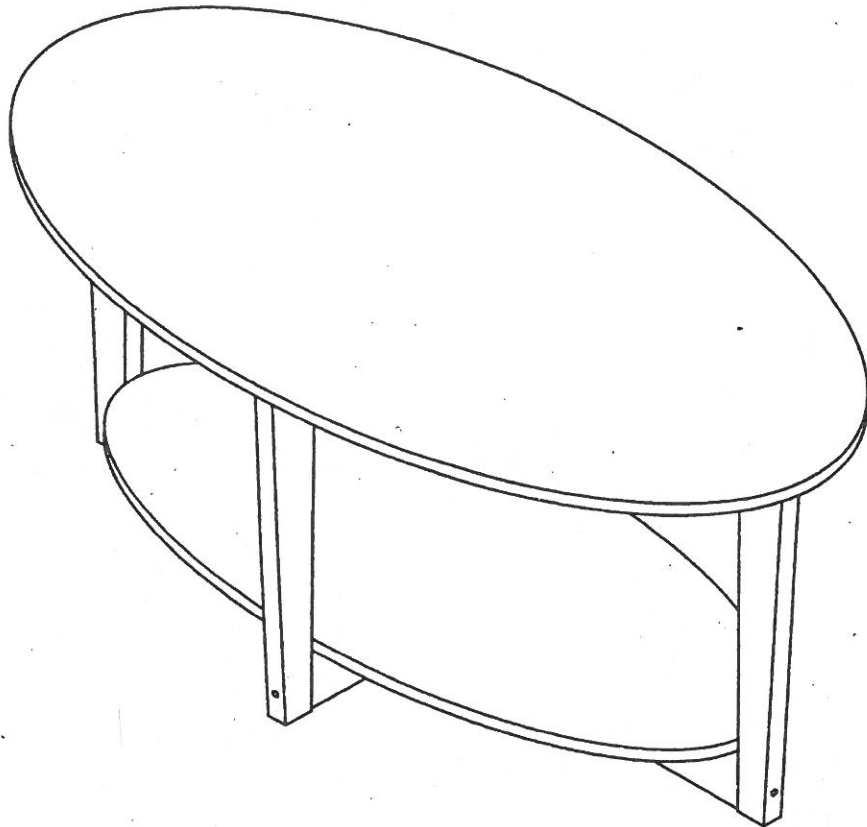
V	PVC NAIL WITH PIN		5pcs
VI	L BRACKET & SCREW M3.5 x 12		6sets
VII	Q-FIT		4sets

CAUTION:

To clean use soft, dry cloth. Do not use detergent or chemicals
Avoid contact with water and direct sunlight.
To be assembled on a soft, dry, clean and smooth surface.

ORDERING REPAIR PARTS

In order to obtain smooth and rapid service when ordering repair parts,
please give full attention to the following of PART NUMBER.



COMPLETE SET

NO	DESCRIPTION	QTY
A	LOWER LEG (LONG)	01
B	LOWER LEG (SHORT)	01
C	LOWER SHELF	01
D	SIDE LEG	04
E	TOP	01