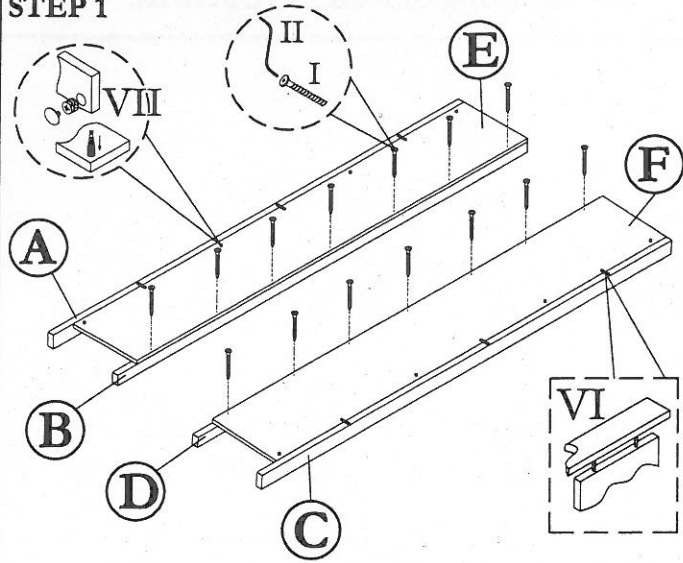


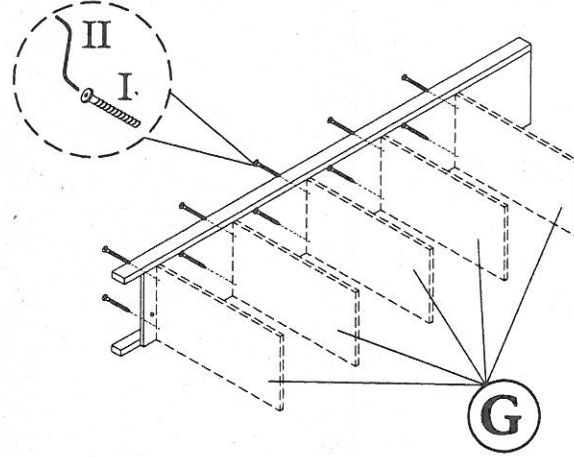
**ASSEMBLY INSTRUCTION**  
**MODEL : 1225 / BOOKCASE**

Before you begin, please follow assembly instruction carefully.  
 Then follow them step by step.

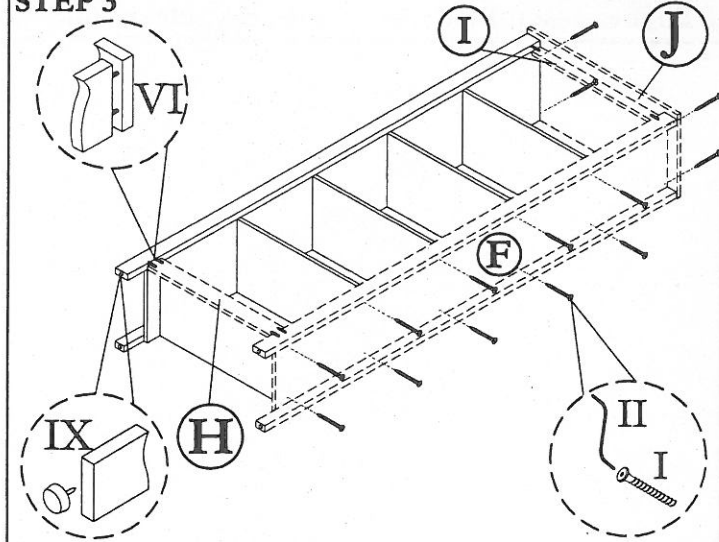
**STEP 1**



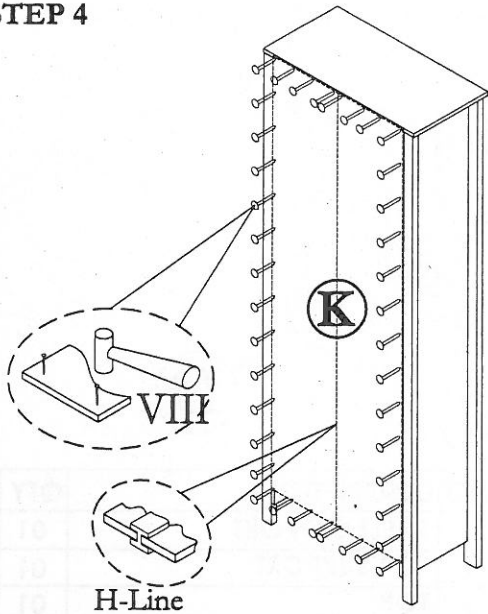
**STEP 2**



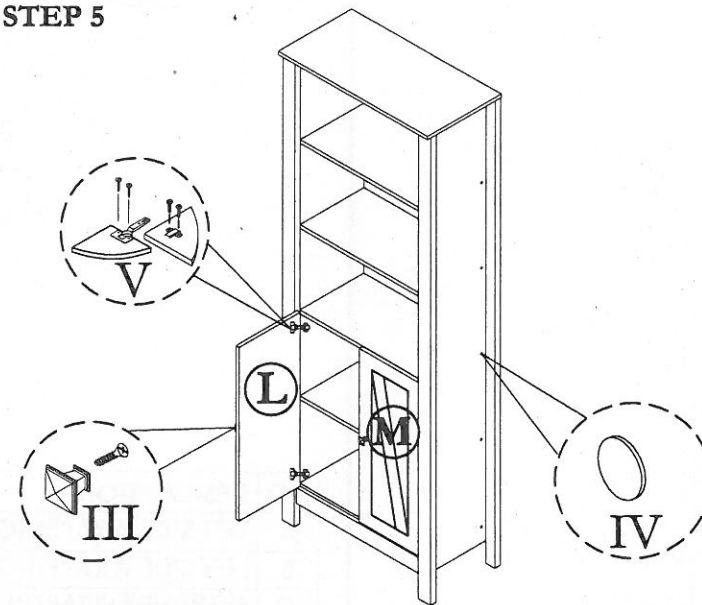
**STEP 3**



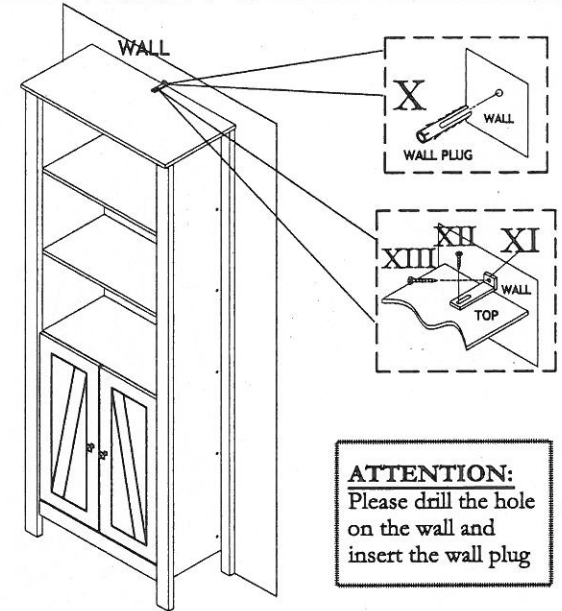
**STEP 4**



**STEP 5**



**STEP 6**



**ATTENTION:**  
 Please drill the hole  
 on the wall and  
 insert the wall plug

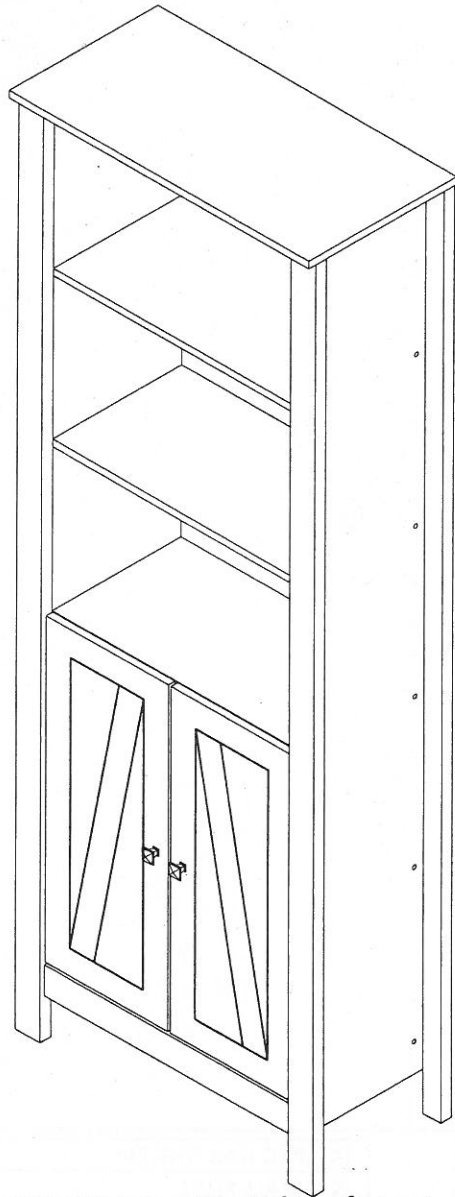
| HARDWARE LIST |                        |  |       |
|---------------|------------------------|--|-------|
| NO            | DESCRIPTION            |  | QTY   |
| I             | JCBCW SCREW M6.3 x 50  |  | 38pcs |
| II            | M4 ALLEN KEY           |  | 1pc   |
| III           | HANDLE & SCREW M4 x 22 |  | 2sets |

|      |                             |  |       |
|------|-----------------------------|--|-------|
| IV   | STICKER                     |  | 28pcs |
| V    | HINGE (C) & SCREW M3.5 x 16 |  | 4sets |
| VI   | M8 x 30 WOOD DOWEL          |  | 12pcs |
| VII  | Q-FIT (small)               |  | 8sets |
| VIII | NAIL                        |  | 50pcs |

|      |                         |  |      |
|------|-------------------------|--|------|
| IX   | PVC NAIL WITH PIN       |  | 4pcs |
| X    | WALL PLUG               |  | 1pc  |
| XI   | L-BRACKET               |  | 1pc  |
| XII  | M4 x 16 CHIPBOARD SCREW |  | 1pc  |
| XIII | M4 x 38 CHIPBOARD SCREW |  | 1pc  |

**CAUTION:**

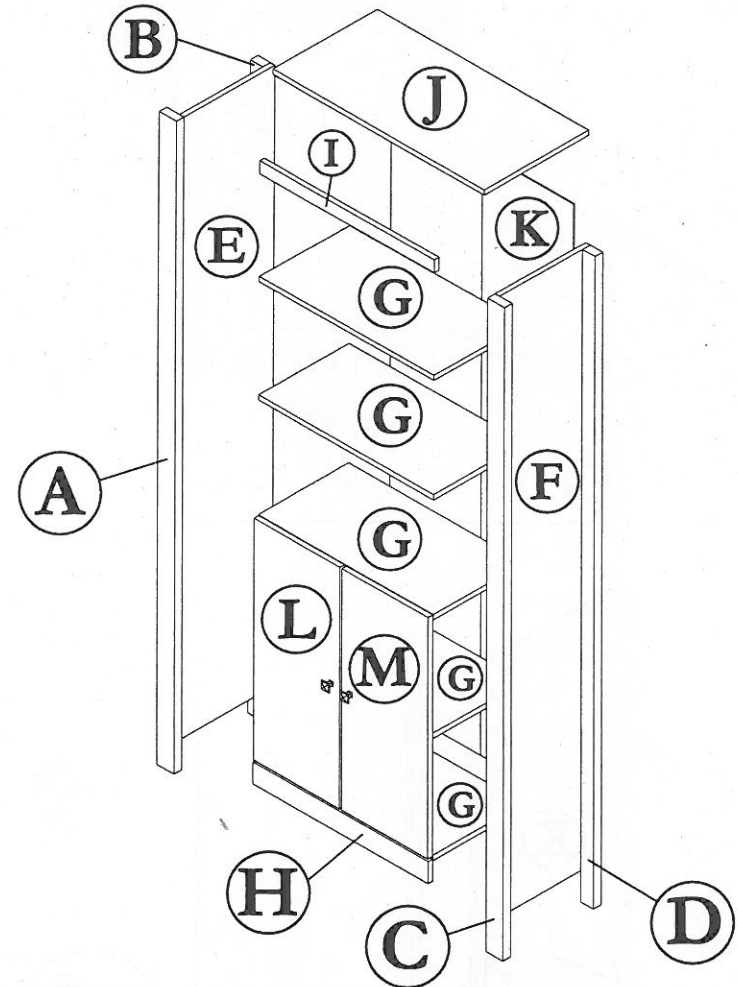
To clean use soft, dry cloth. Do not use detergent or chemicals  
Avoid contact with water and direct sunlight.  
To be assembled on a soft, dry, clean and smooth surface.



**COMPLETE SET**

**ORDERING REPAIR PARTS**

In order to obtain smooth and rapid service when ordering repair parts,  
please give full attention to the following of PART NUMBER.



| NO | DESCRIPTION                 | QTY |
|----|-----------------------------|-----|
| A  | LEFT SIDE WRAPPING (Front)  | 01  |
| B  | LEFT SIDE WRAPPING (Back)   | 01  |
| C  | RIGHT SIDE WRAPPING (Front) | 01  |
| D  | RIGHT SIDE WRAPPING (Back)  | 01  |
| E  | LEFT SIDE                   | 01  |
| F  | RIGHT SIDE                  | 01  |
| G  | CENTRE SHELF                | 05  |

| NO | DESCRIPTION     | QTY |
|----|-----------------|-----|
| H  | SHELF SUPPORT   | 01  |
| I  | TOP SUPPORT     | 01  |
| J  | TOP             | 01  |
| K  | BACK            | 02  |
| L  | LEFT SIDE DOOR  | 01  |
| M  | RIGHT SIDE DOOR | 01  |