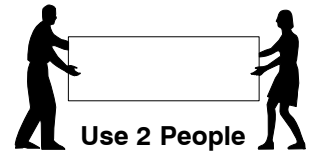
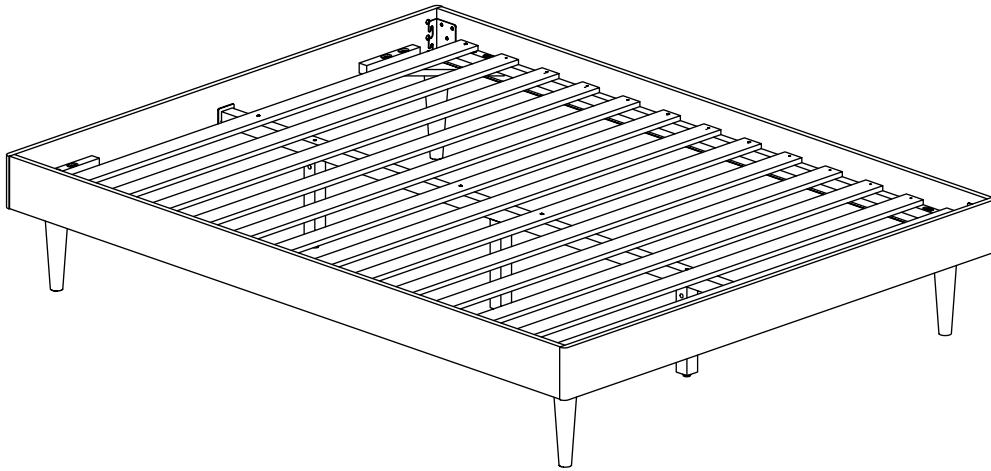


# Queen Bed

## Assembly Instructions

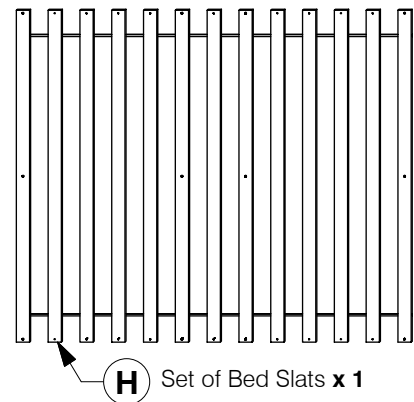
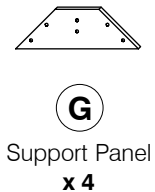
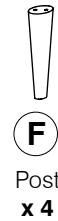
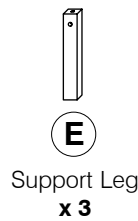
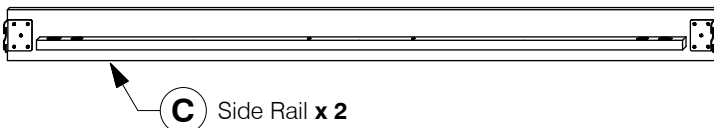
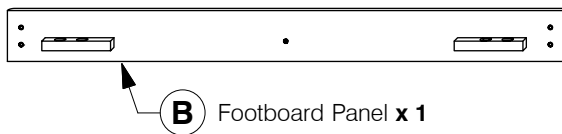
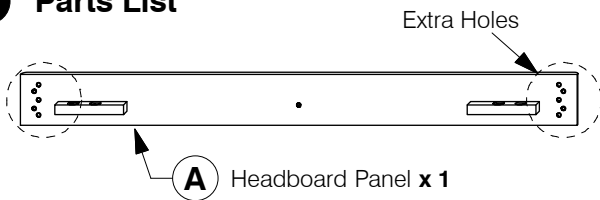
W11-0419

### 1 Assembled View

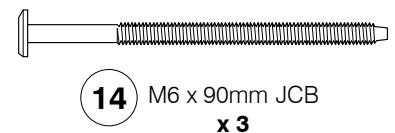
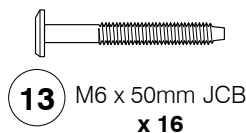
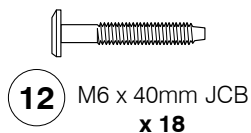
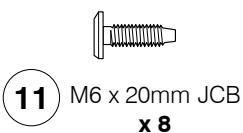
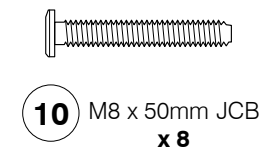
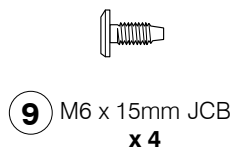
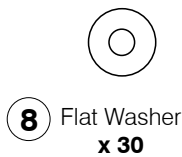
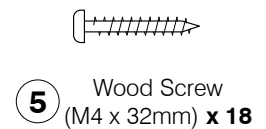
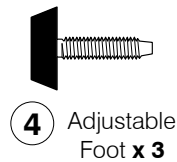
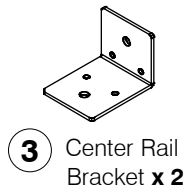
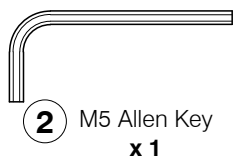
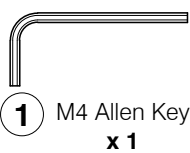


**Note:** Do not assemble using power tools. This can cause the bolts to be overtightened

### 2 Parts List



### 3 Hardware List

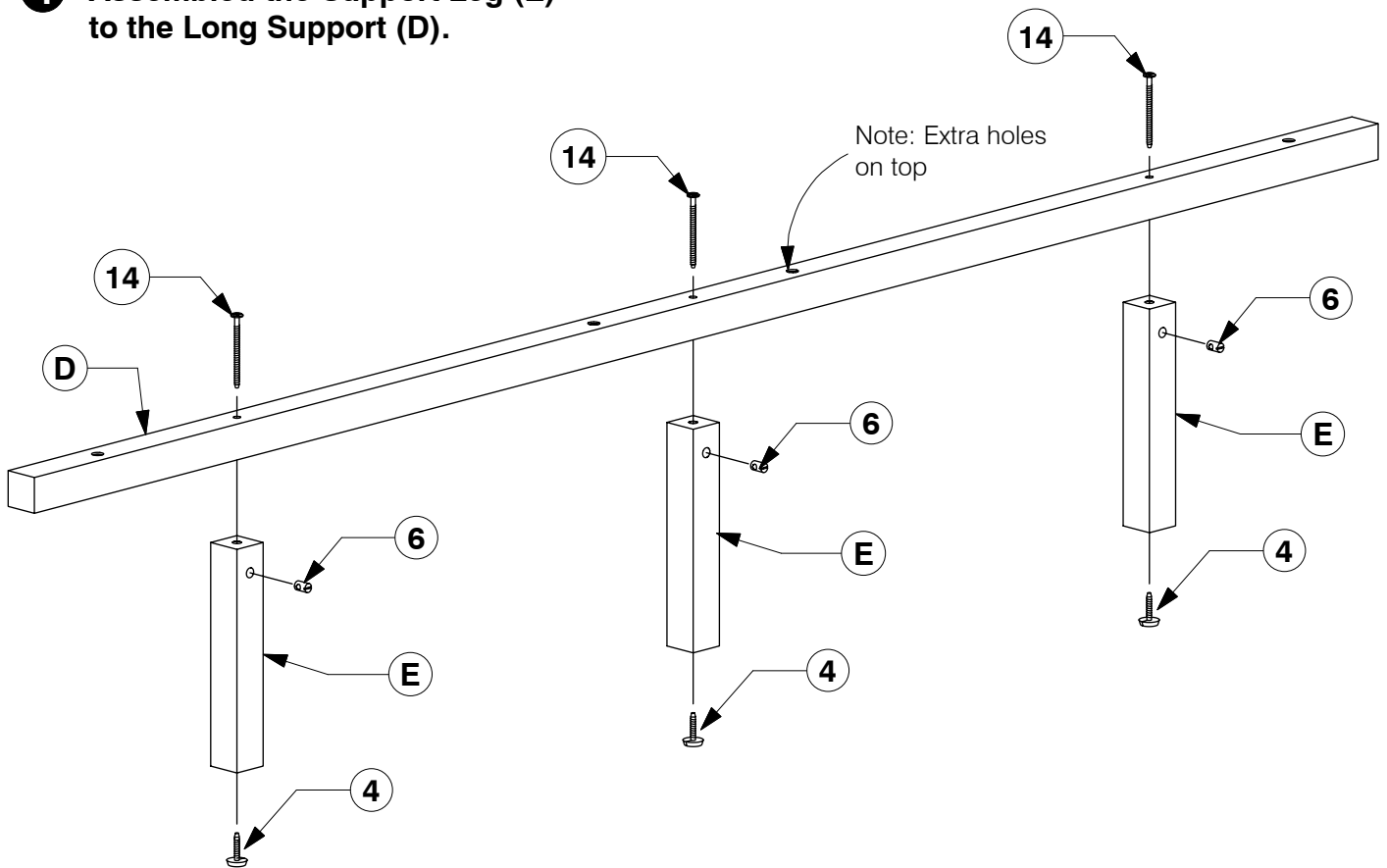


# Queen Bed

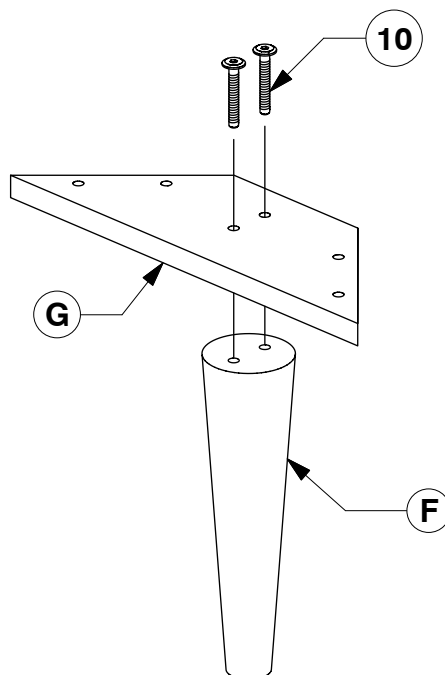
## Assembly Instructions

W11-0419

- 4** Assembled the Support Leg (E) to the Long Support (D).



- 5** Fit the Post (F) to the Support Panel (G).

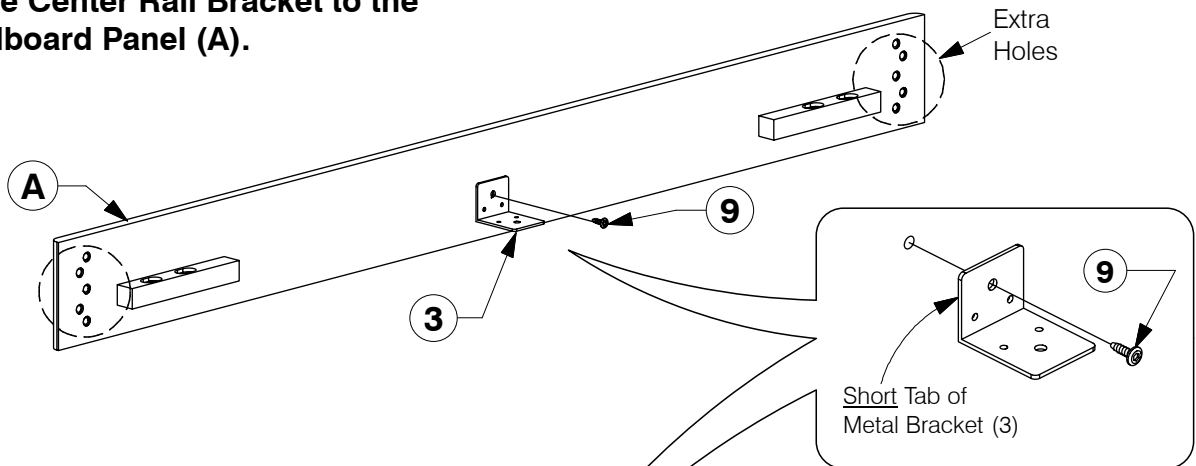


# Queen Bed

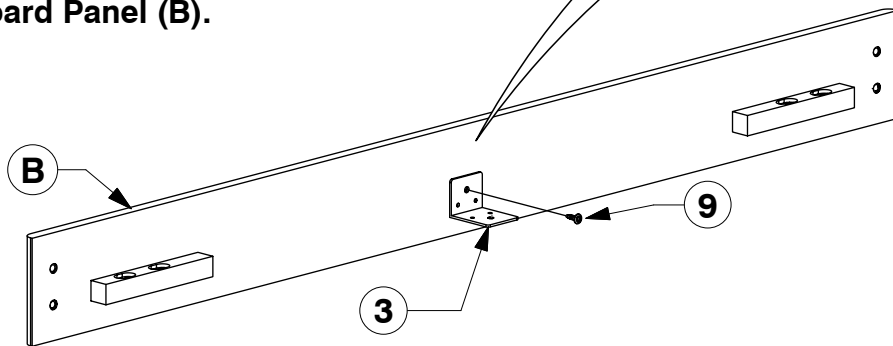
## Assembly Instructions

W11-0419

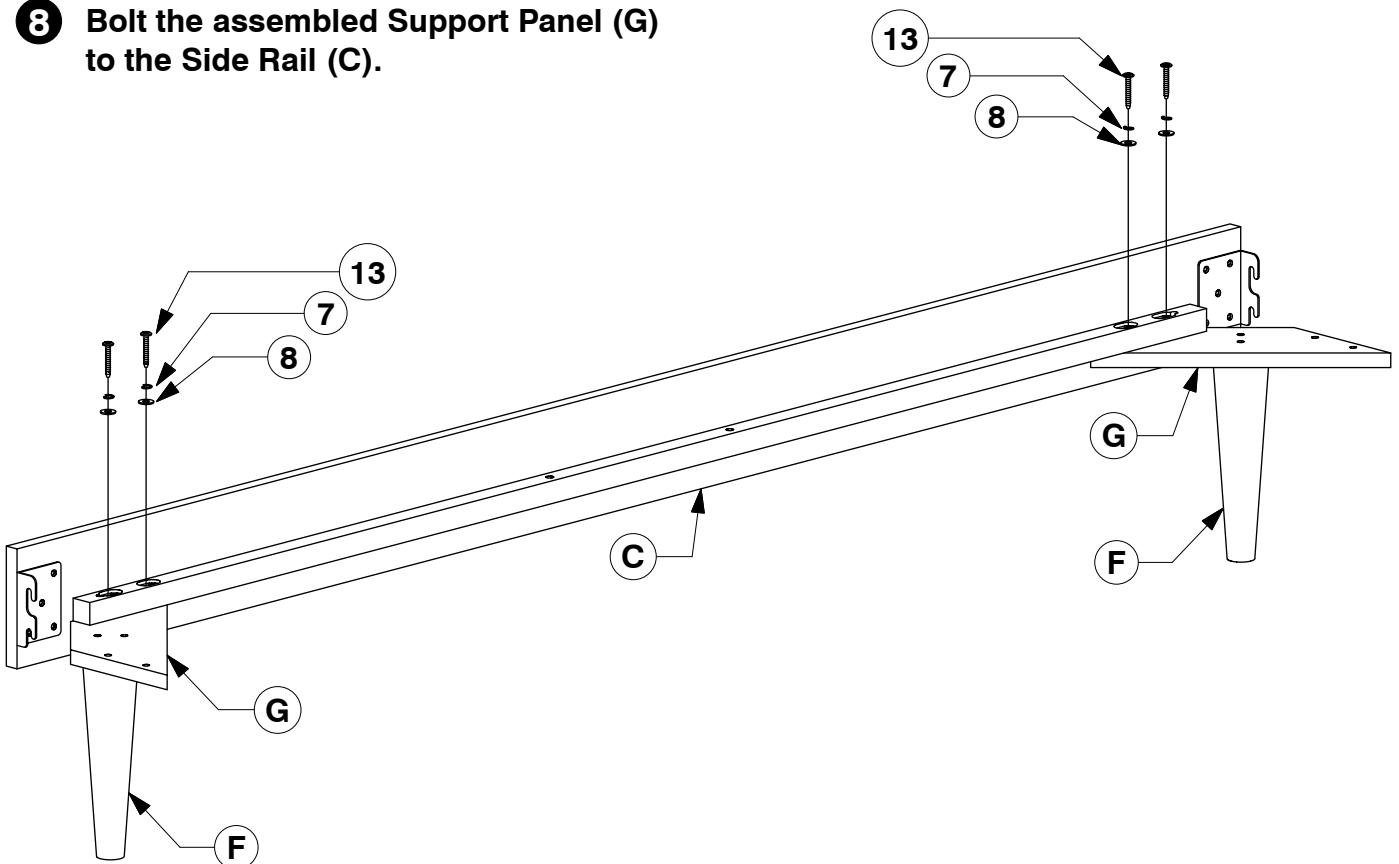
- 6** Fit the Center Rail Bracket to the Headboard Panel (A).



- 7** Fit the Center Rail Bracket to the Footboard Panel (B).



- 8** Bolt the assembled Support Panel (G) to the Side Rail (C).

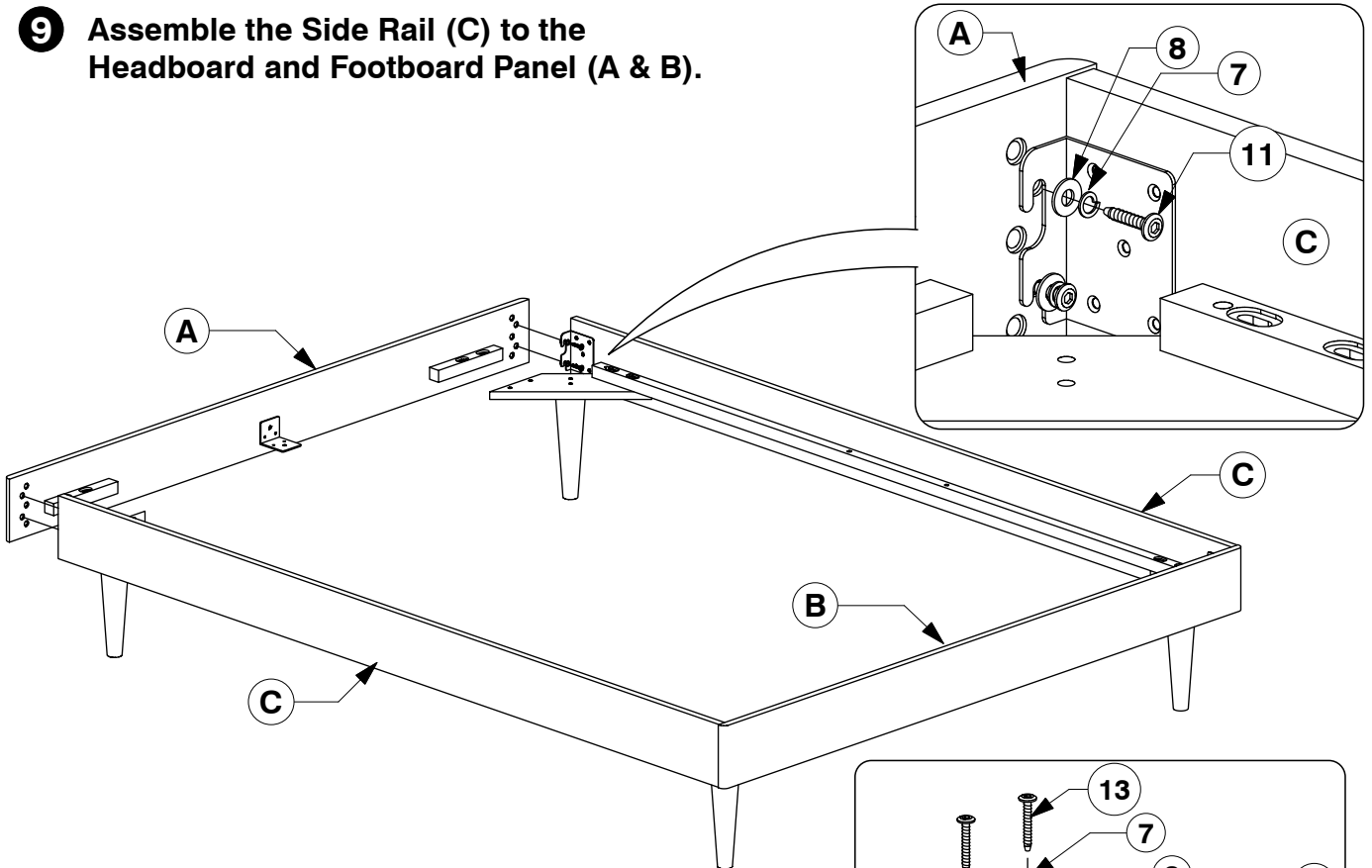


# Queen Bed

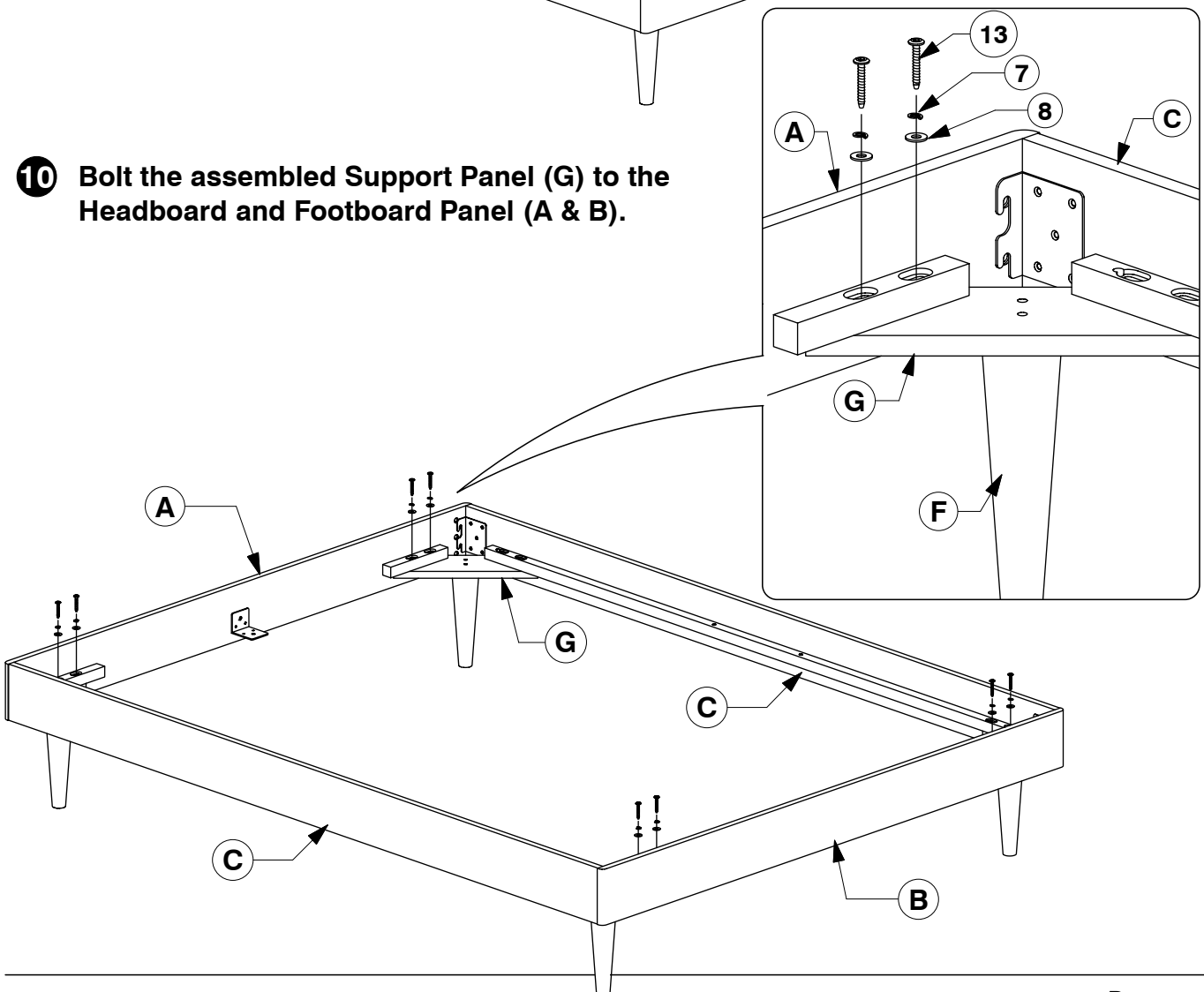
## Assembly Instructions

W11-0419

- 9 Assemble the Side Rail (C) to the Headboard and Footboard Panel (A & B).**



- 10 Bolt the assembled Support Panel (G) to the Headboard and Footboard Panel (A & B).**

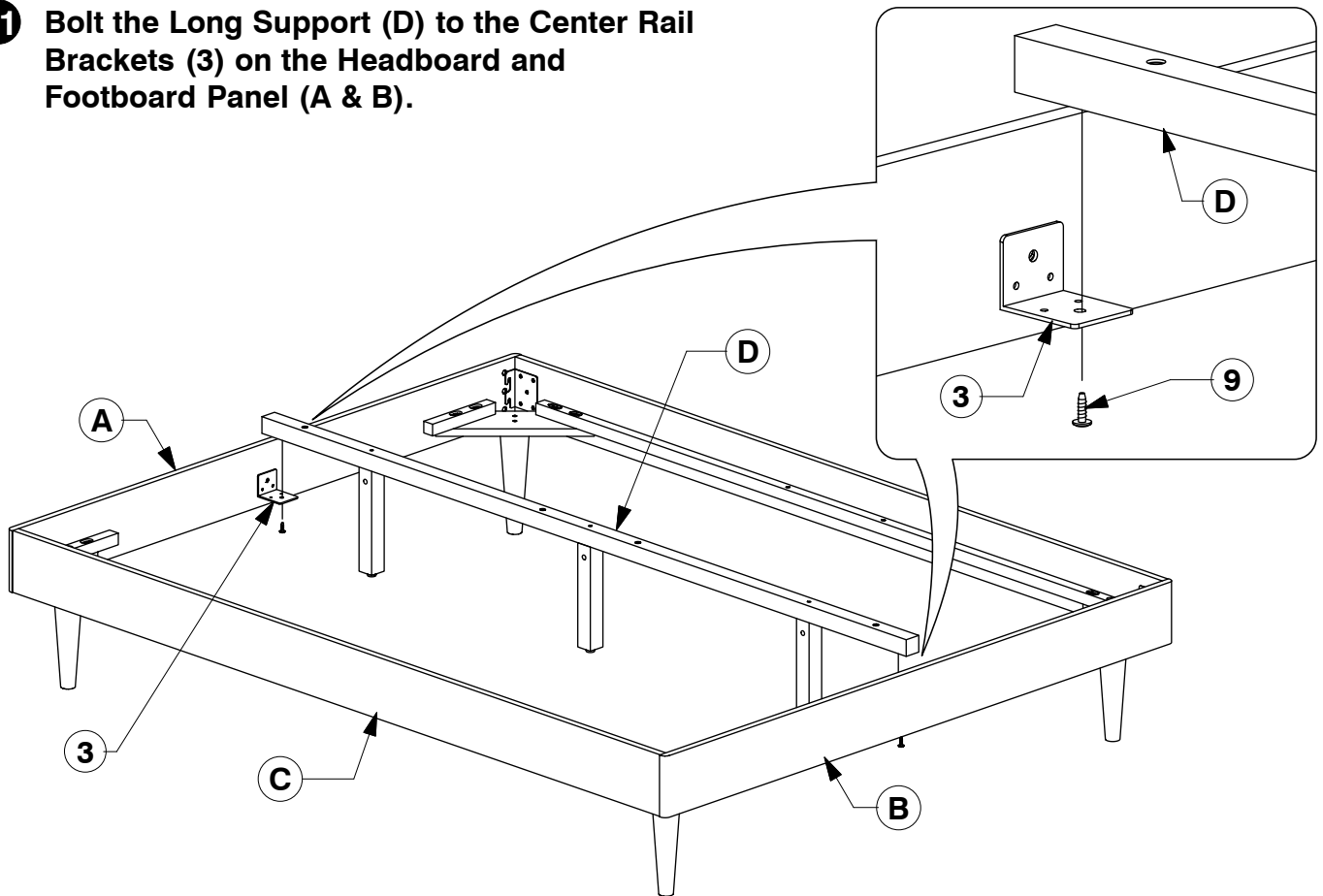


# Queen Bed

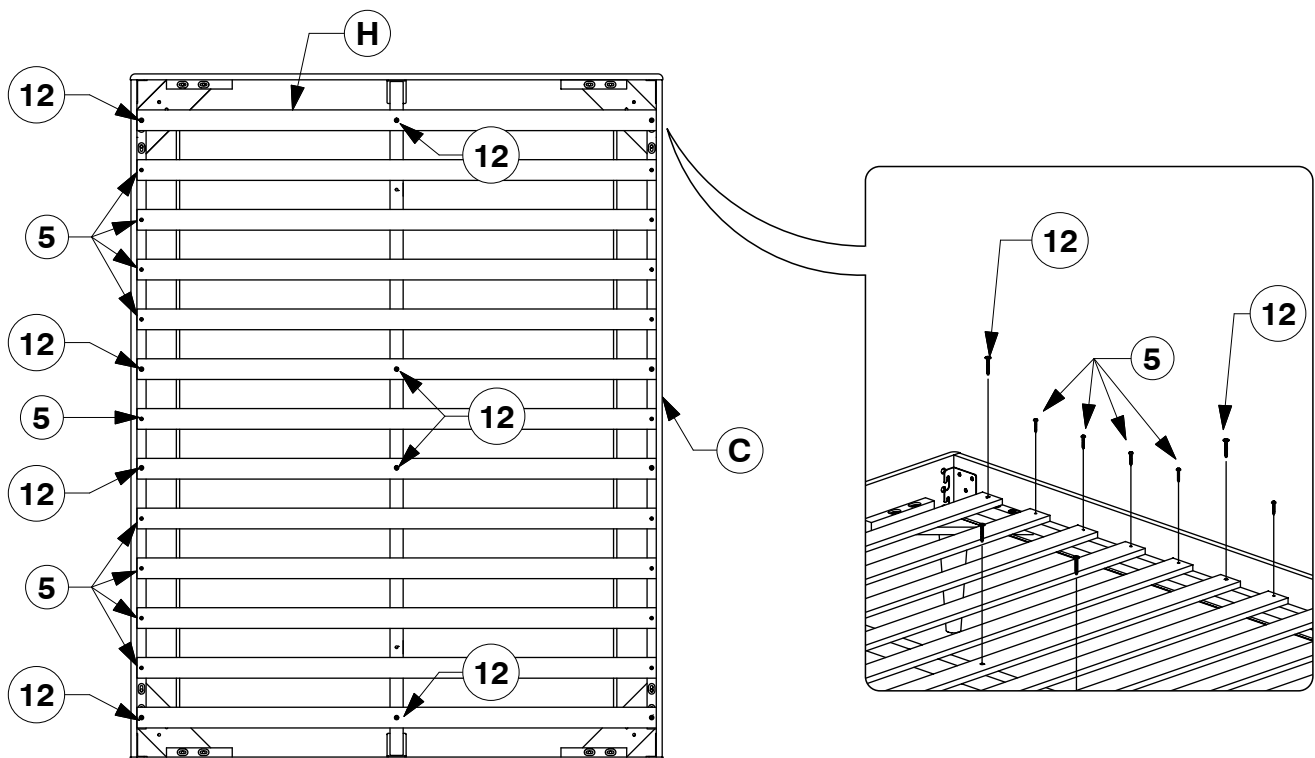
## Assembly Instructions

WII-0419

- 11** Bolt the Long Support (D) to the Center Rail Brackets (3) on the Headboard and Footboard Panel (A & B).



- 12** Bolt & screw the Bed Slats (H) to the Side Rail (C).

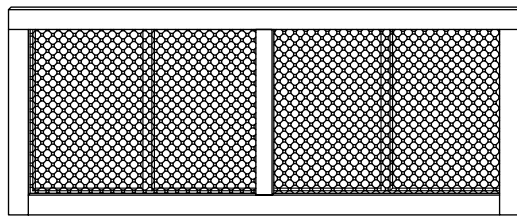
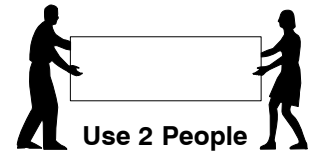


# Queen Headboard

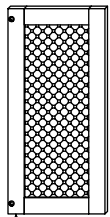
## Assembly Instructions

WII-0419

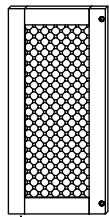
### 1 Parts List



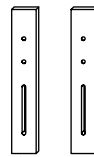
**A** Headboard Panel x 1



**B** Headboard Side Panel (Left hand) x 1



**C** Headboard Side Panel (Right hand) x 1



**D** Support Bar x 2

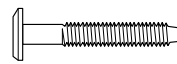


**Note:** Do not assemble using power tools. This can cause the bolts to be overtightened

### 2 Hardware List



**1** M6 x 60mm JCB x 4



**2** M6 x 35mm JCB x 4



**3** Barrel Nut x 4



**4** Wood Dowel (M10 x 40mm) x 4



**5** Spring Washer x 4

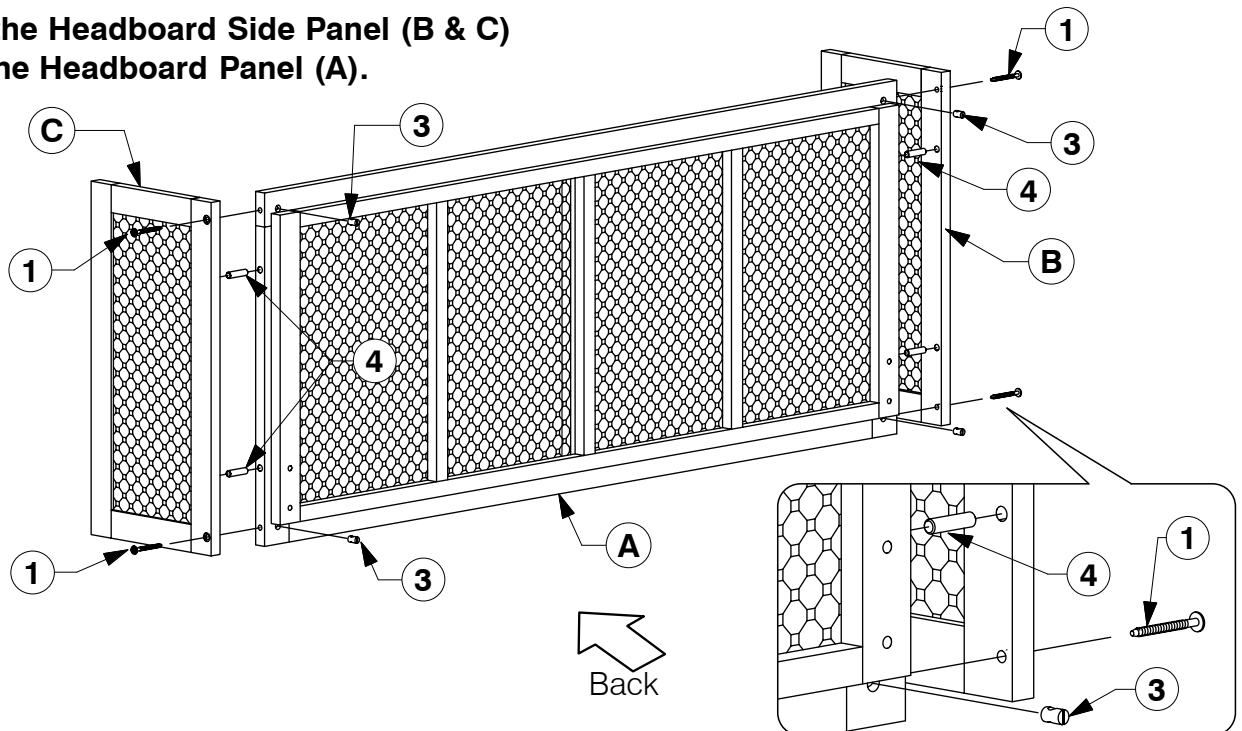


**6** Flat Washer x 4



**7** M4 Allen Key x 1

### 3 Fit the Headboard Side Panel (B & C) to the Headboard Panel (A).

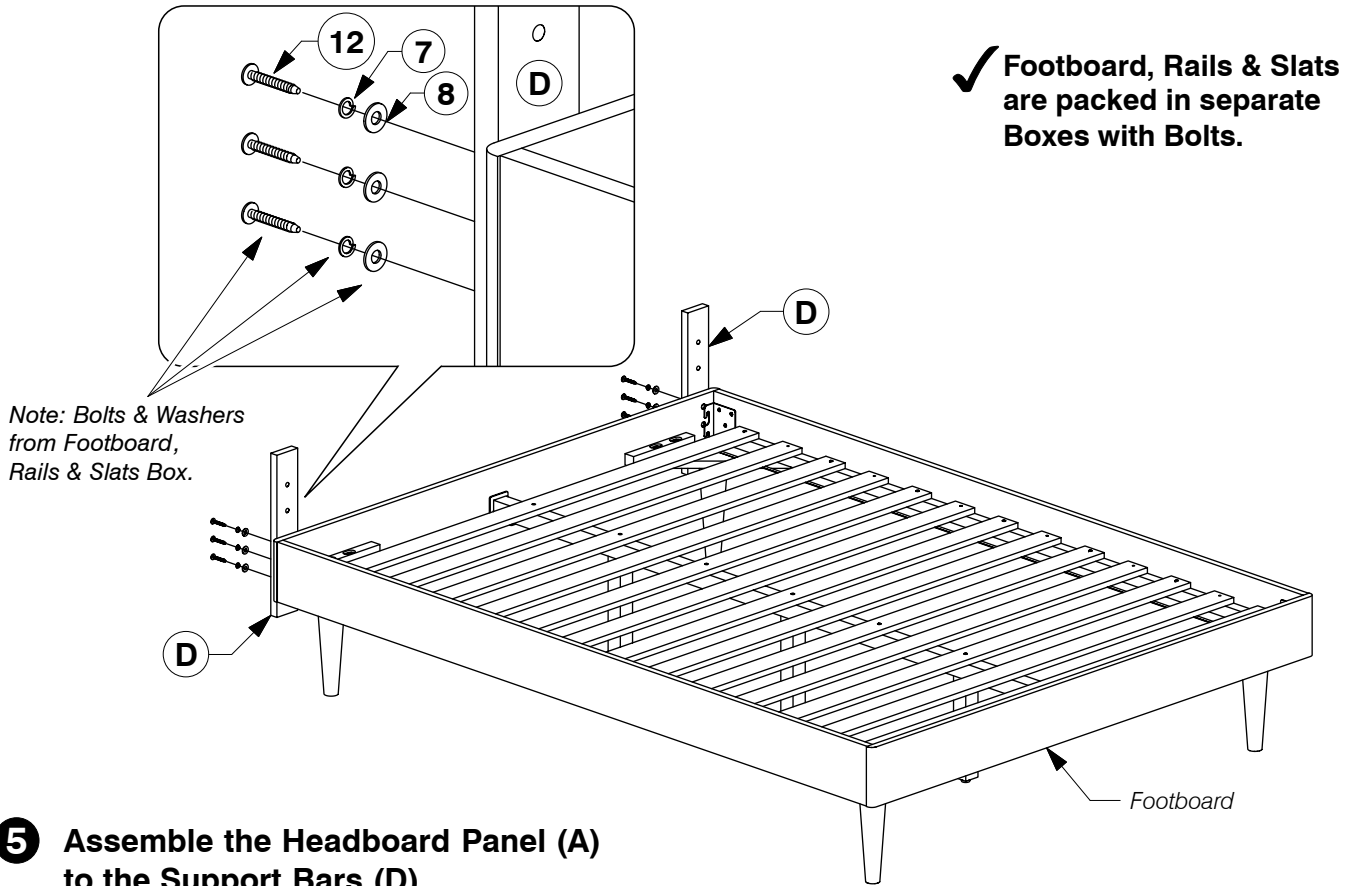


# Queen Headboard

## Assembly Instructions

W11-0419

### 4 Assemble the Support Bars (D) to the Headboard Panel.



### 5 Assemble the Headboard Panel (A) to the Support Bars (D).

