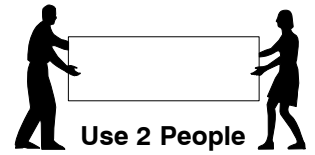
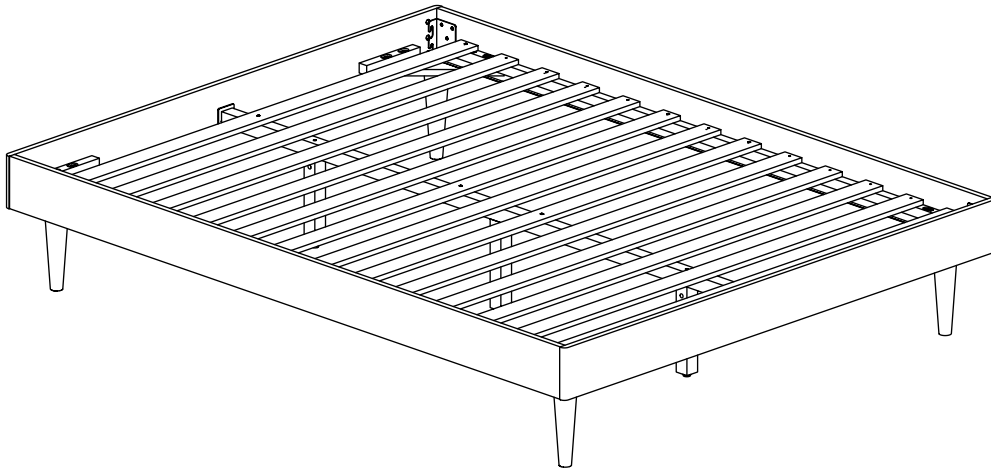


# Queen Bed

## Assembly Instructions

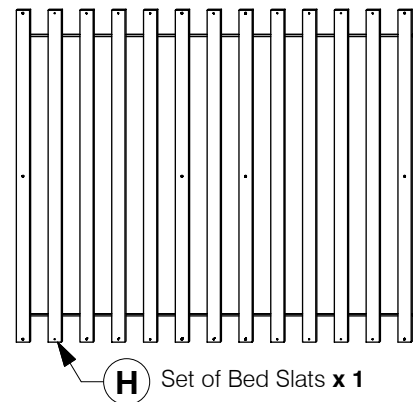
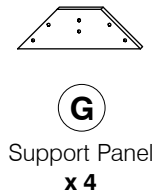
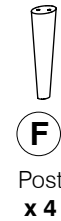
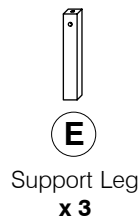
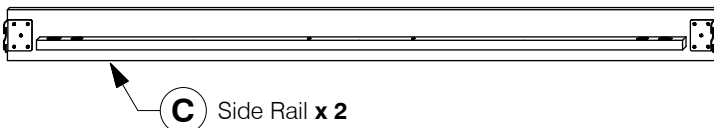
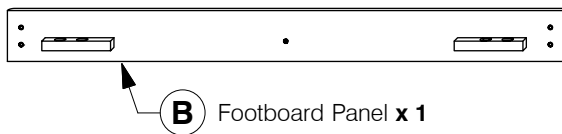
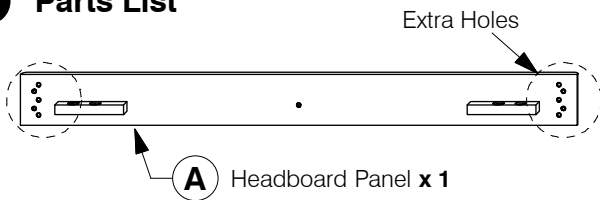
W11-0419

### 1 Assembled View

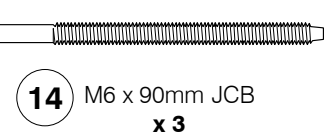
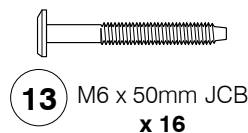
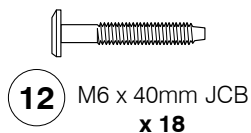
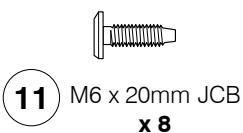
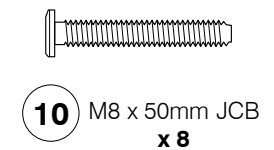
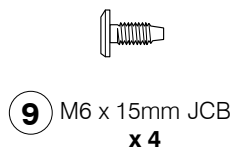
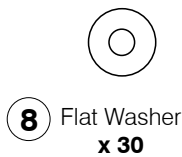
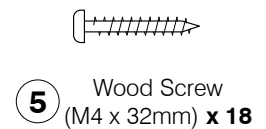
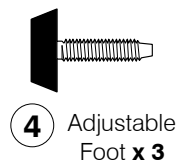
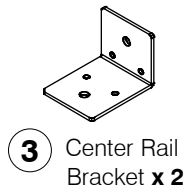
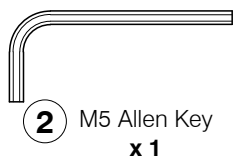
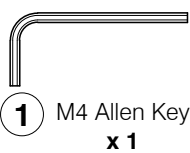


**Note:** Do not assemble using power tools. This can cause the bolts to be overtightened

### 2 Parts List



### 3 Hardware List

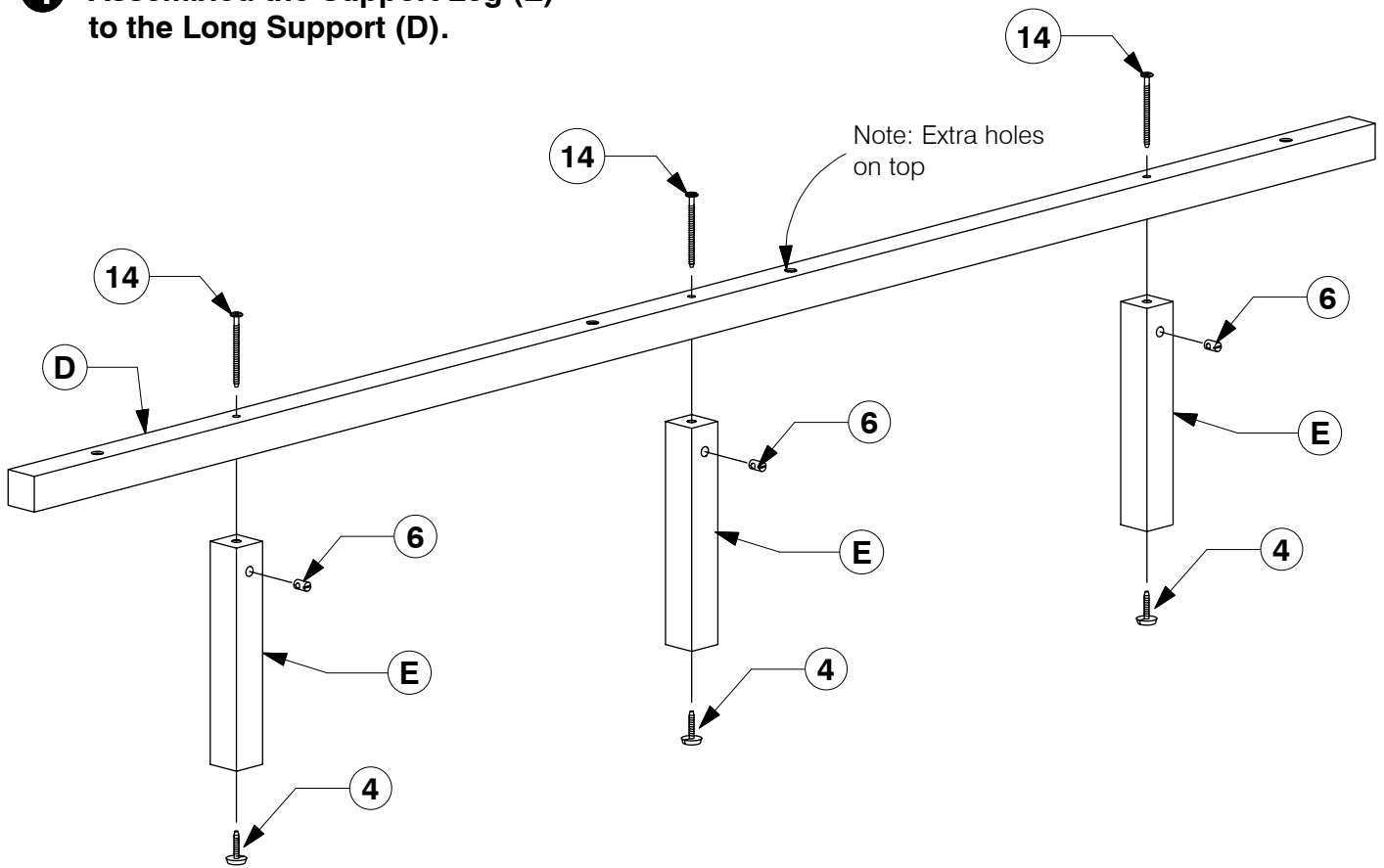


# 97151 Queen Bed

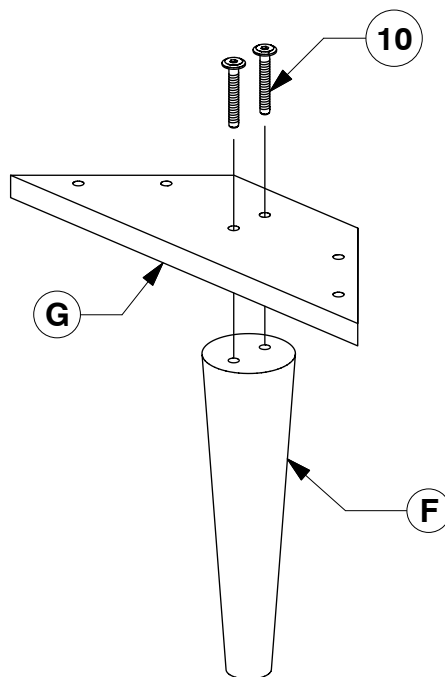
## Assembly Instructions

WII-0419

### 4 Assembled the Support Leg (E) to the Long Support (D).



### 5 Fit the Post (F) to the Support Panel (G).

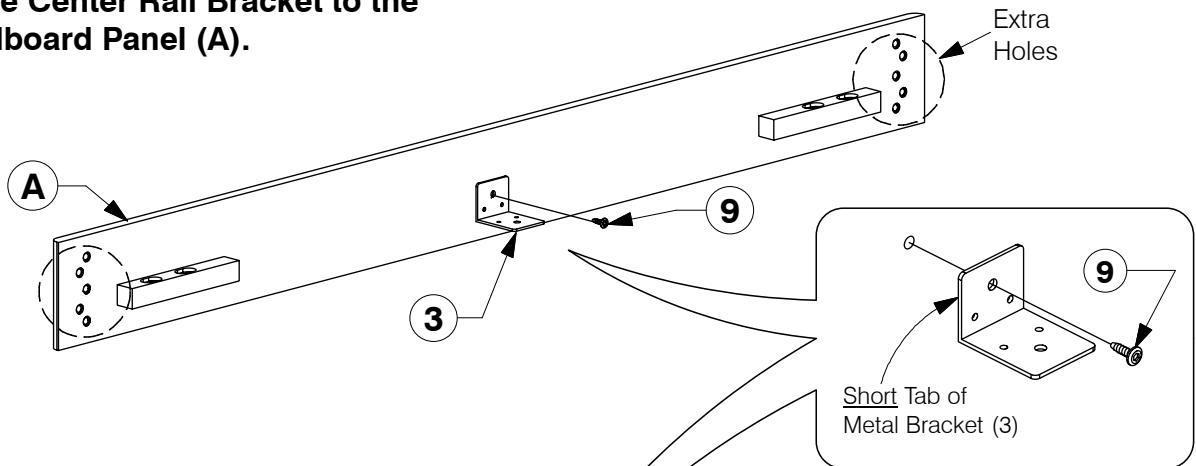


# 97151 Queen Bed

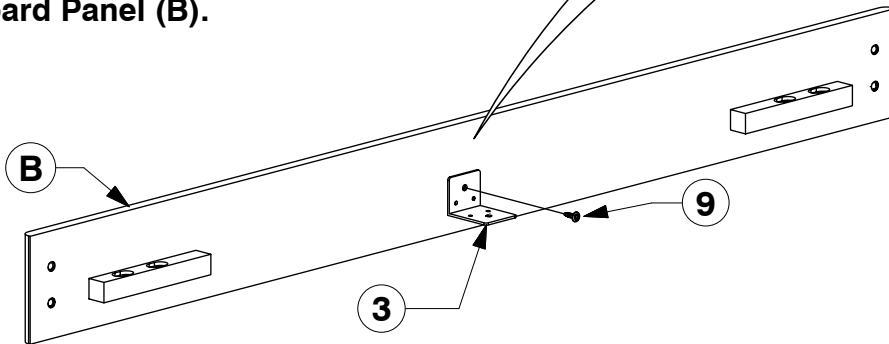
## Assembly Instructions

W11-0419

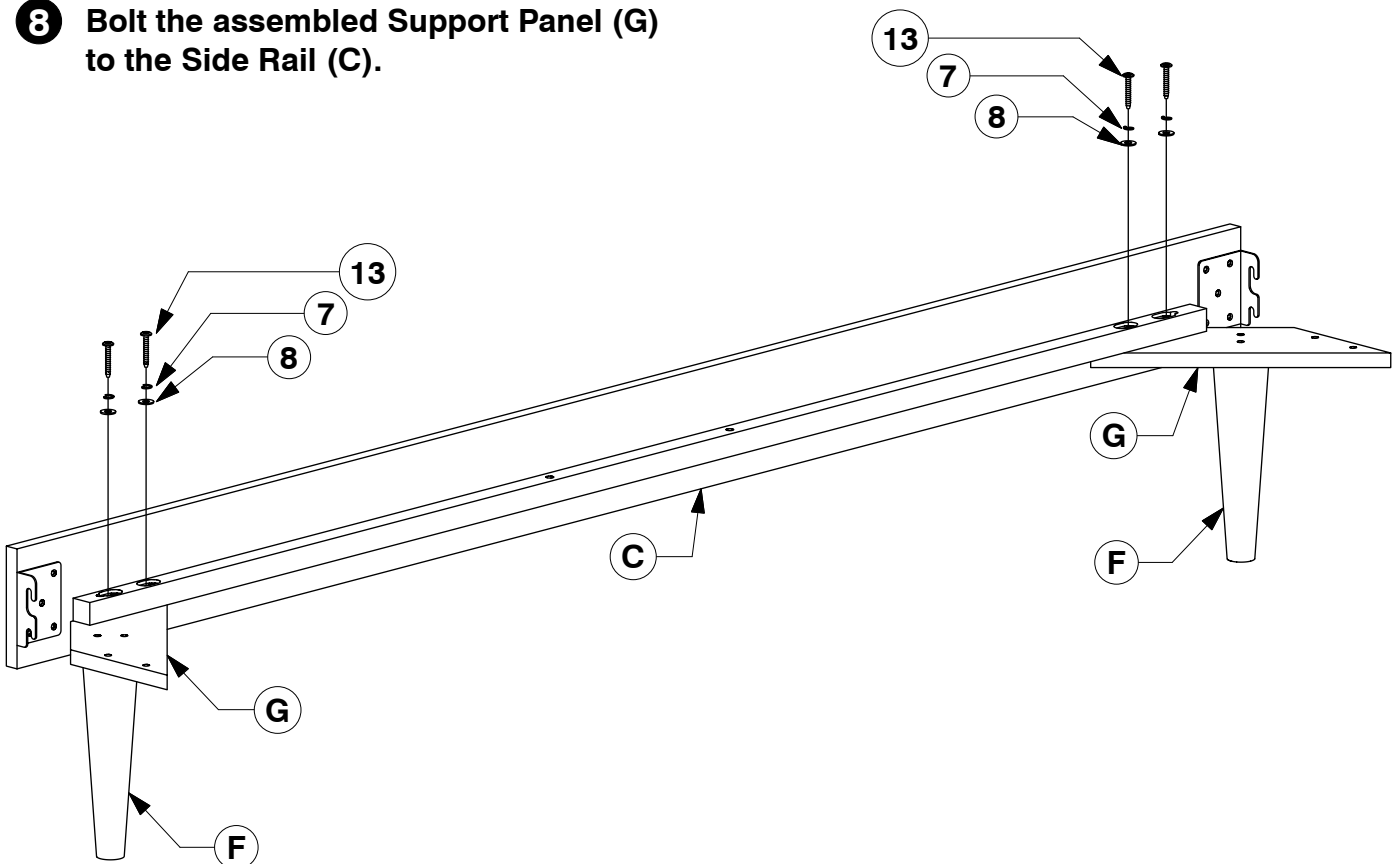
- 6** Fit the Center Rail Bracket to the Headboard Panel (A).



- 7** Fit the Center Rail Bracket to the Footboard Panel (B).



- 8** Bolt the assembled Support Panel (G) to the Side Rail (C).

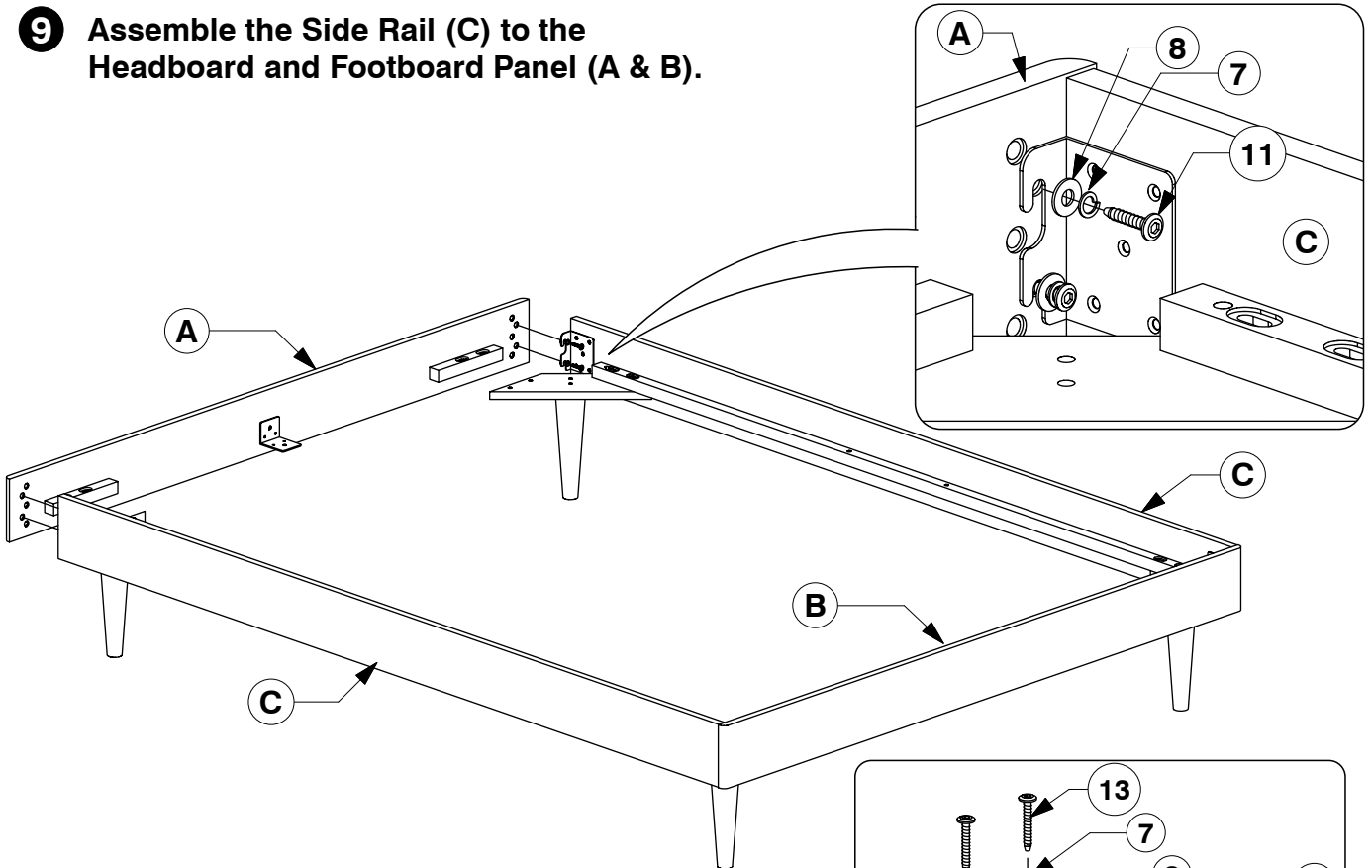


# 97151 Queen Bed

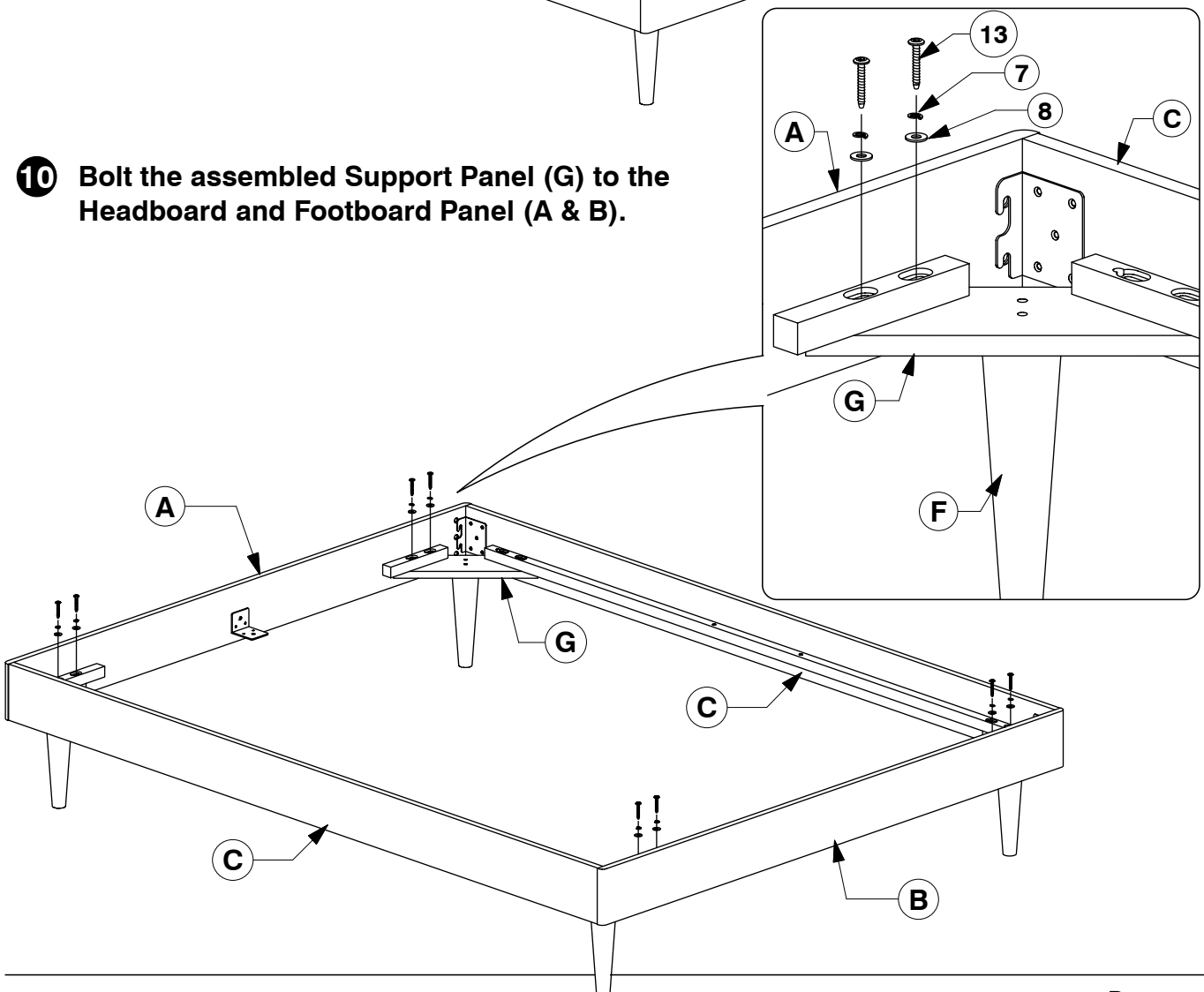
## Assembly Instructions

W11-0419

- 9 Assemble the Side Rail (C) to the Headboard and Footboard Panel (A & B).**



- 10 Bolt the assembled Support Panel (G) to the Headboard and Footboard Panel (A & B).**

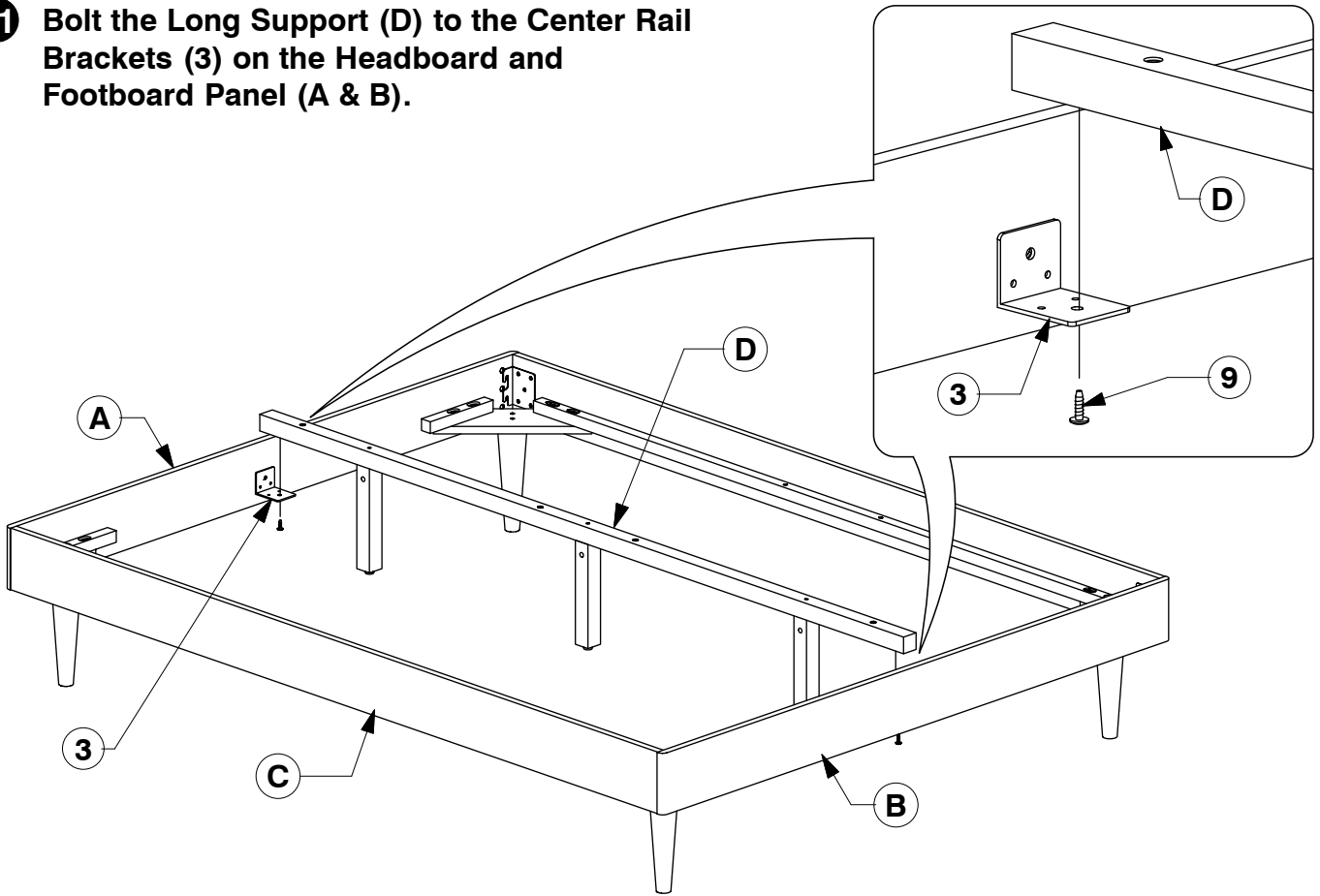


# 97151 Queen Bed

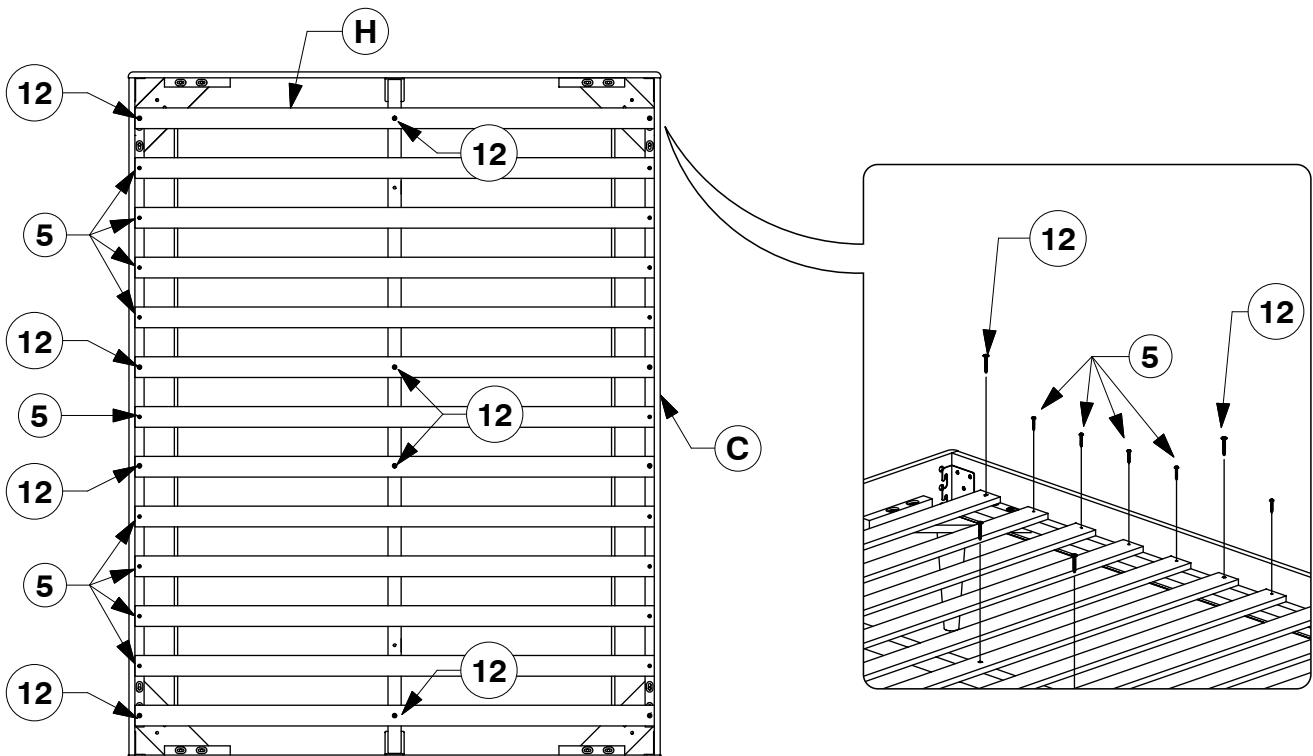
## Assembly Instructions

WII-0419

- 11** Bolt the Long Support (D) to the Center Rail Brackets (3) on the Headboard and Footboard Panel (A & B).



- 12** Bolt & screw the Bed Slats (H) to the Side Rail (C).

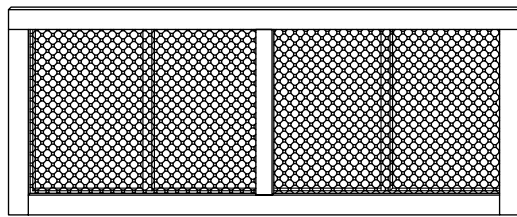
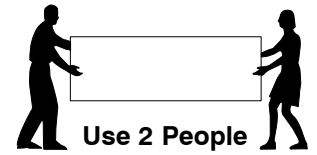


# Queen Headboard

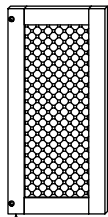
## Assembly Instructions

WII-0419

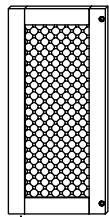
### 1 Parts List



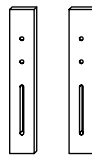
**A** Headboard Panel x 1



**B** Headboard Side Panel (Left hand) x 1



**C** Headboard Side Panel (Right hand) x 1



**D** Support Bar x 2



**Note:** Do not assemble using power tools. This can cause the bolts to be overtightened

### 2 Hardware List



**1** M6 x 60mm JCB x 4



**2** M6 x 35mm JCB x 4



**3** Barrel Nut x 4



**4** Wood Dowel (M10 x 40mm) x 4



**5** Spring Washer x 4

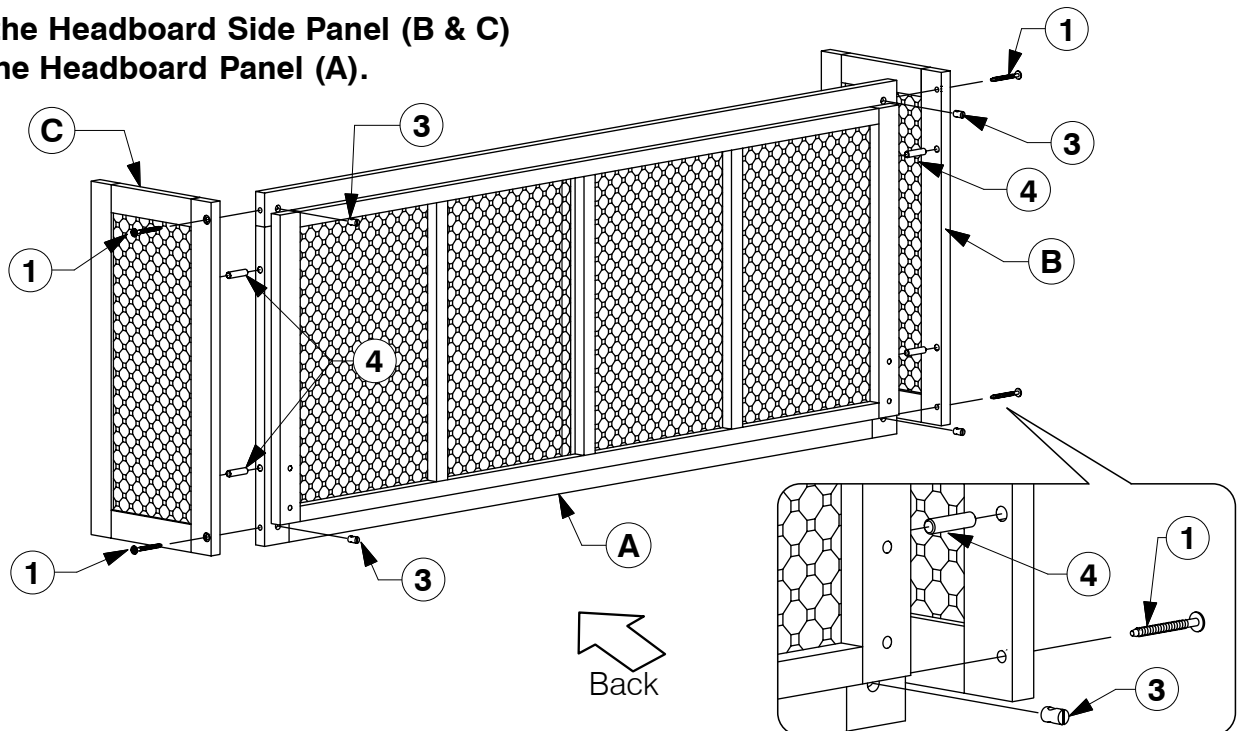


**6** Flat Washer x 4



**7** M4 Allen Key x 1

### 3 Fit the Headboard Side Panel (B & C) to the Headboard Panel (A).

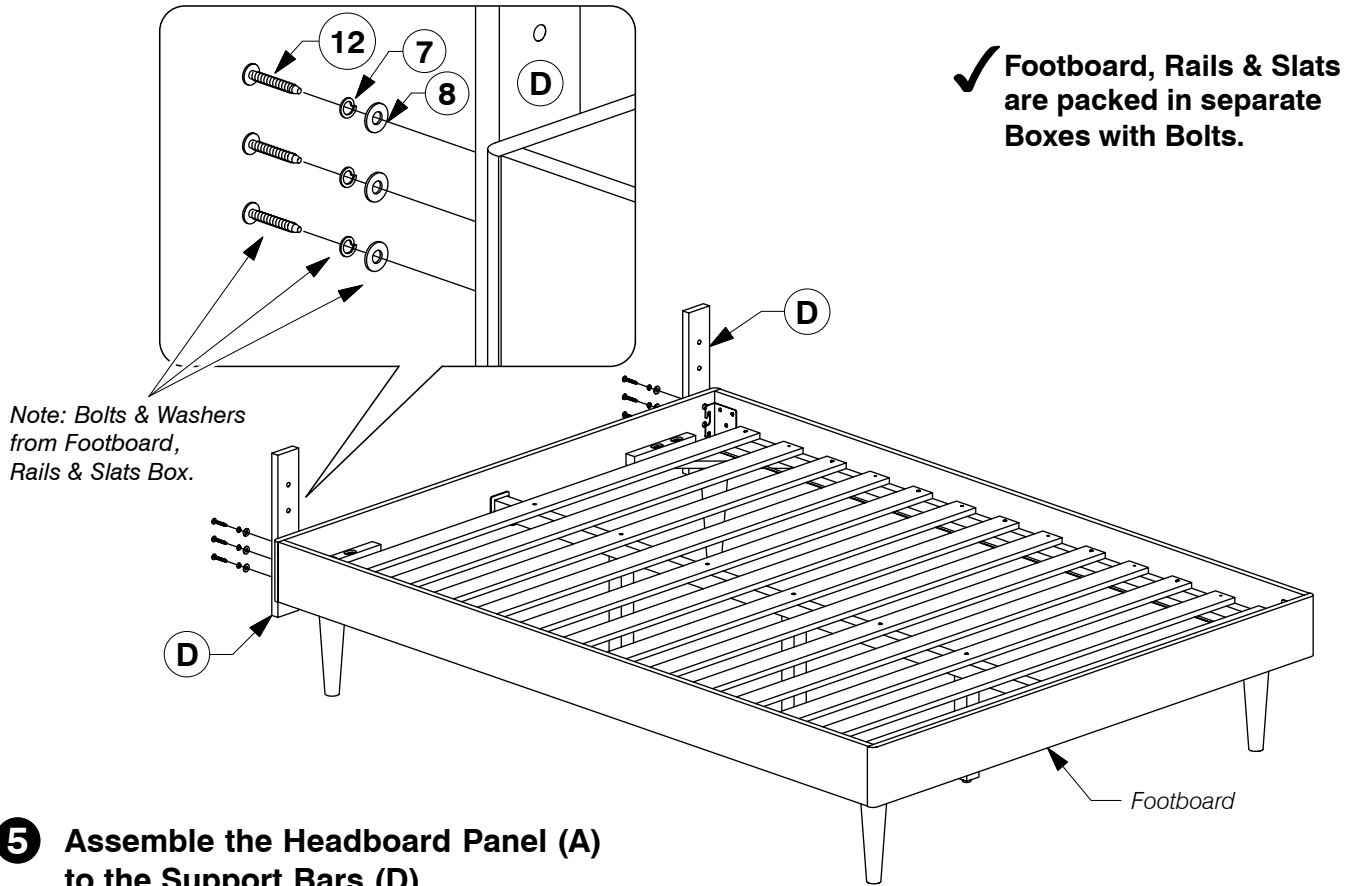


# 97151 Full / Queen Headboard

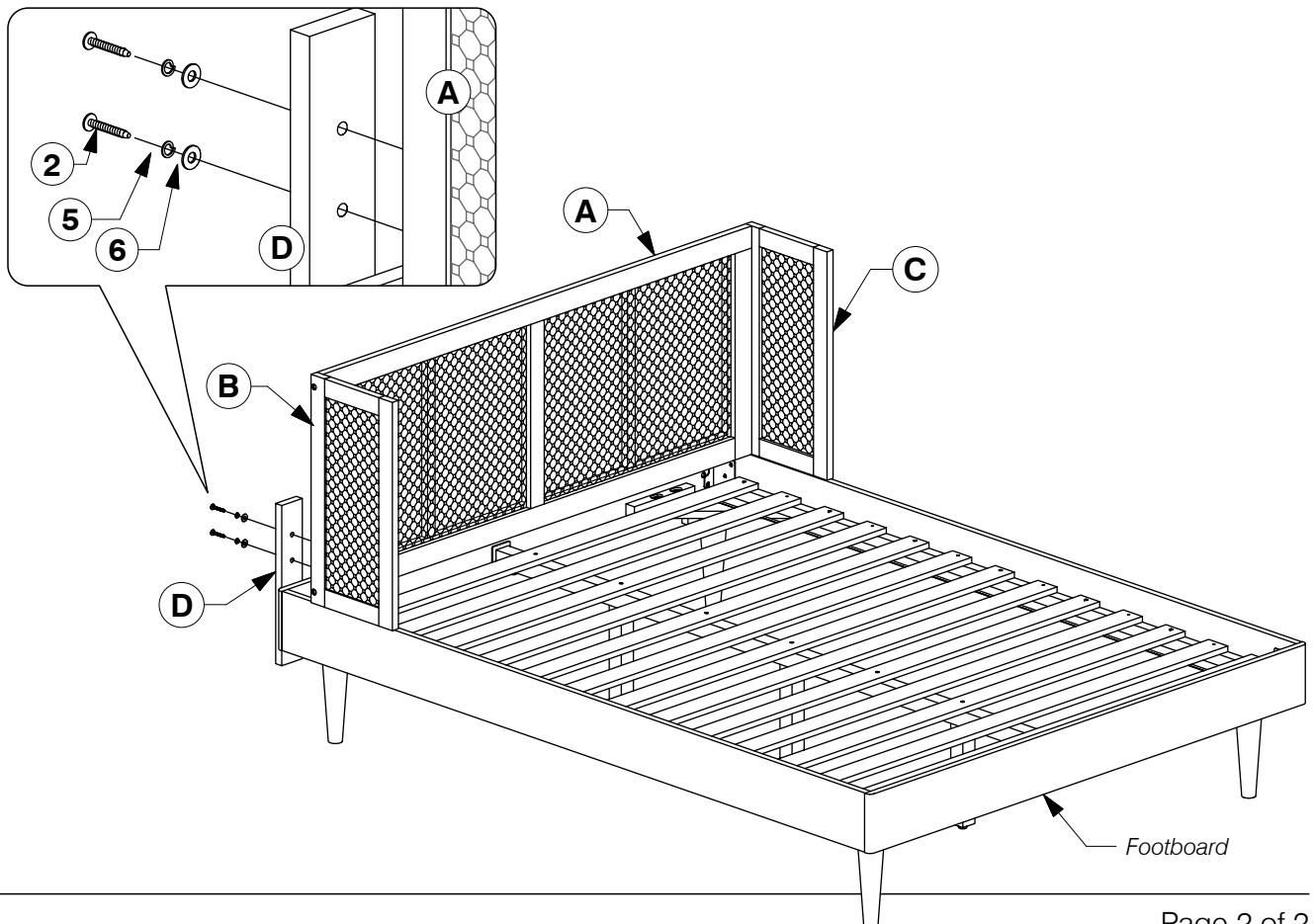
## Assembly Instructions

W11-0419

### 4 Assemble the Support Bars (D) to the Headboard Panel.



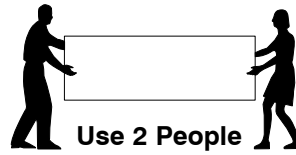
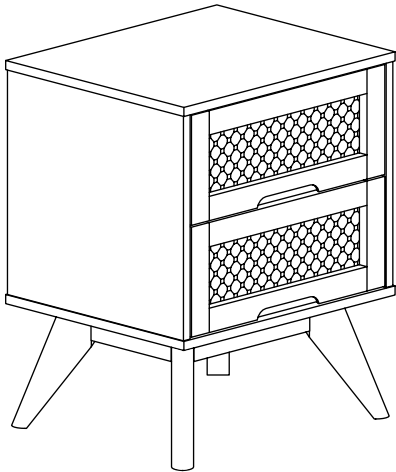
### 5 Assemble the Headboard Panel (A) to the Support Bars (D).



# 9001 2 Drawer Nightstand

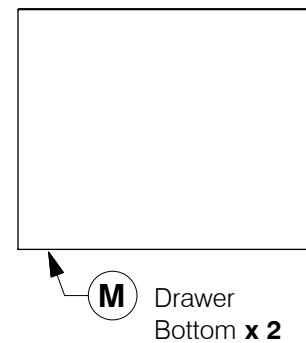
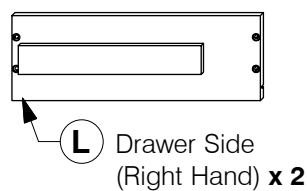
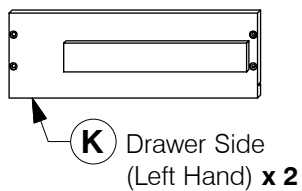
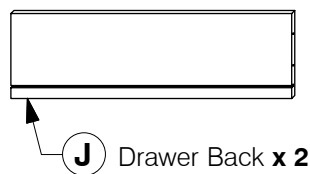
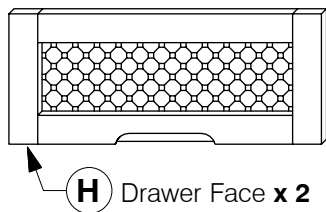
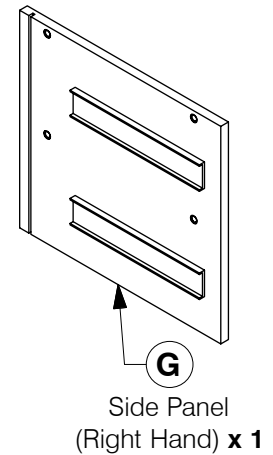
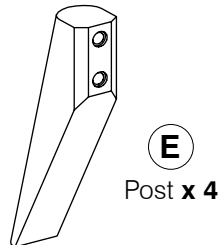
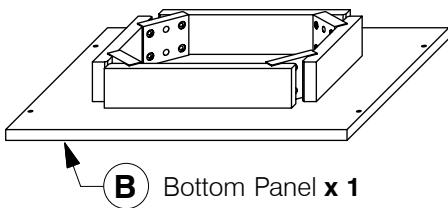
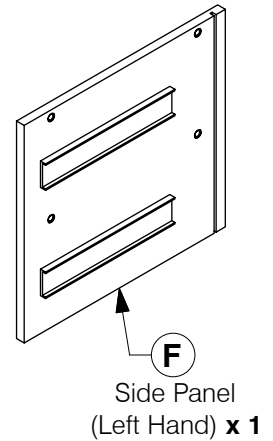
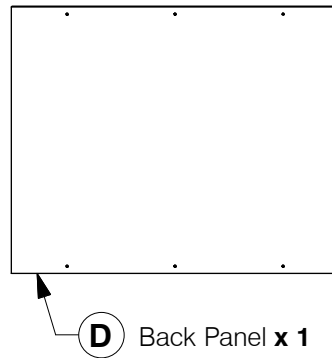
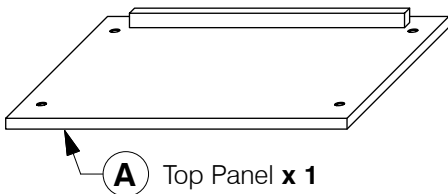
## Assembly Instructions

WI-1220



**Note:** Do not assemble using power tools. This can cause the bolts to be overtightened

### 1 Parts List



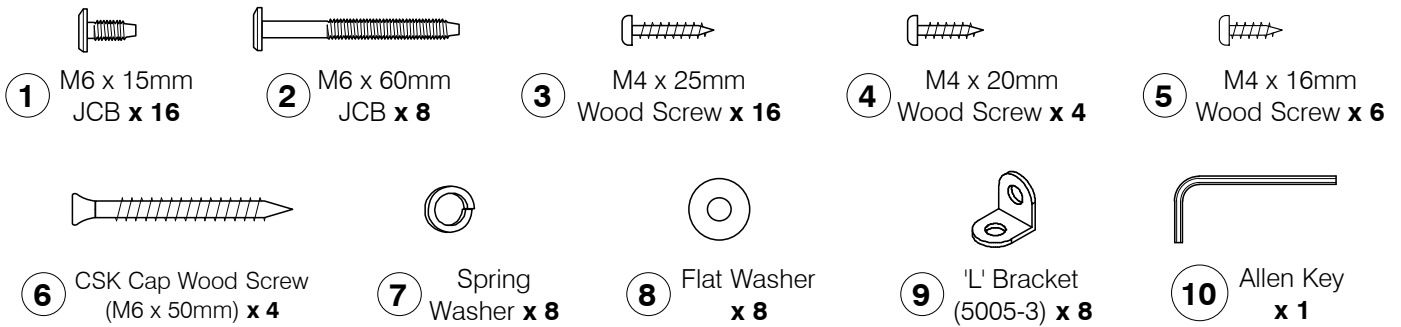


# 9001 2 Drawer Nightstand

## Assembly Instructions

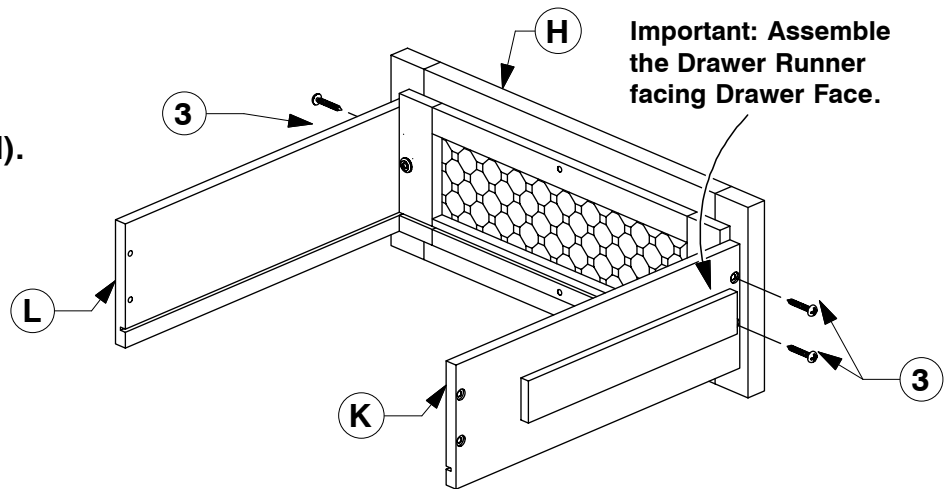
WI-1220

### 2 Hardware List

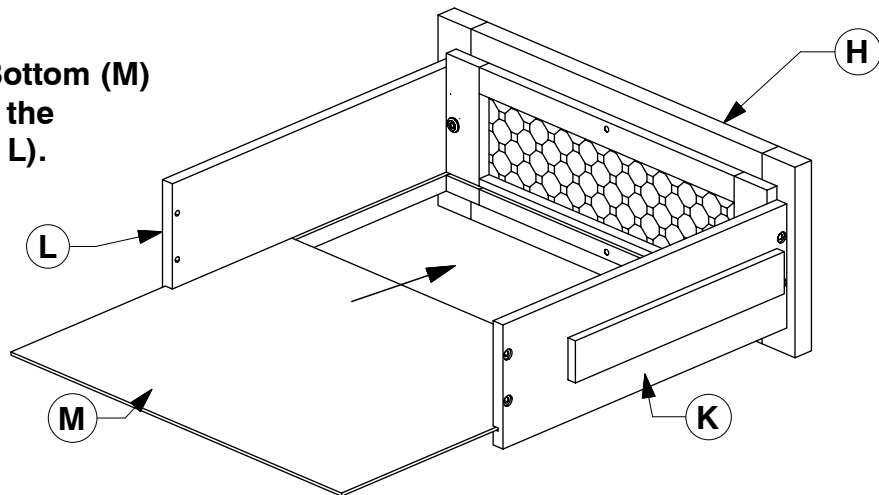


### 3 Assemble the Drawer Sides (K & L) to the Drawer Face (H).

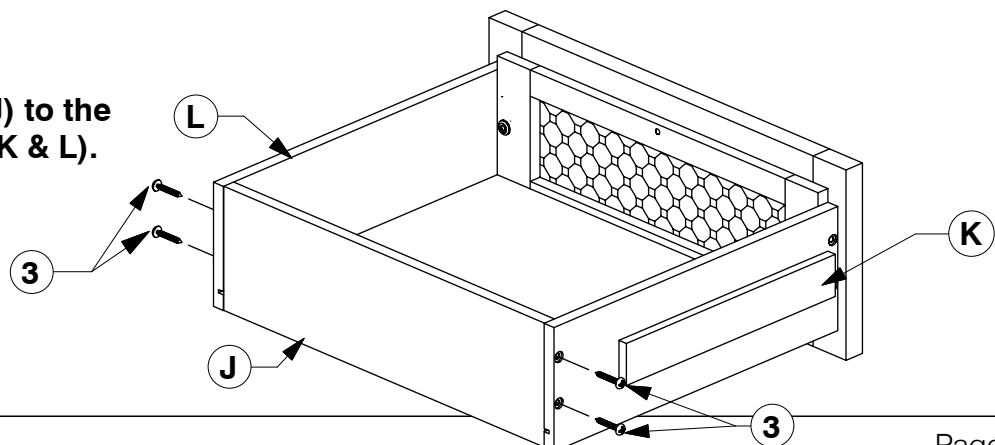
x2



### 4 Slide the Drawer Bottom (M) into the groove on the Drawer Sides (K & L).



### 5 Assemble the Drawer Back (J) to the Drawer Sides (K & L).

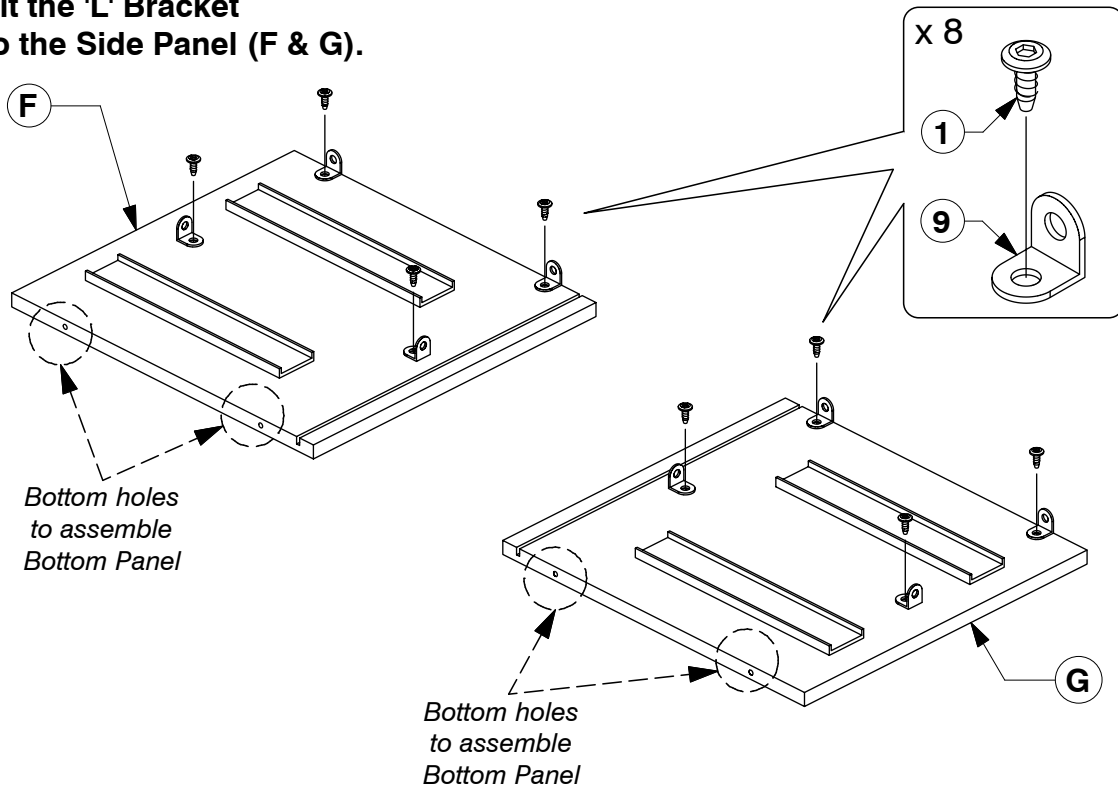


# 9001 2 Drawer Nightstand

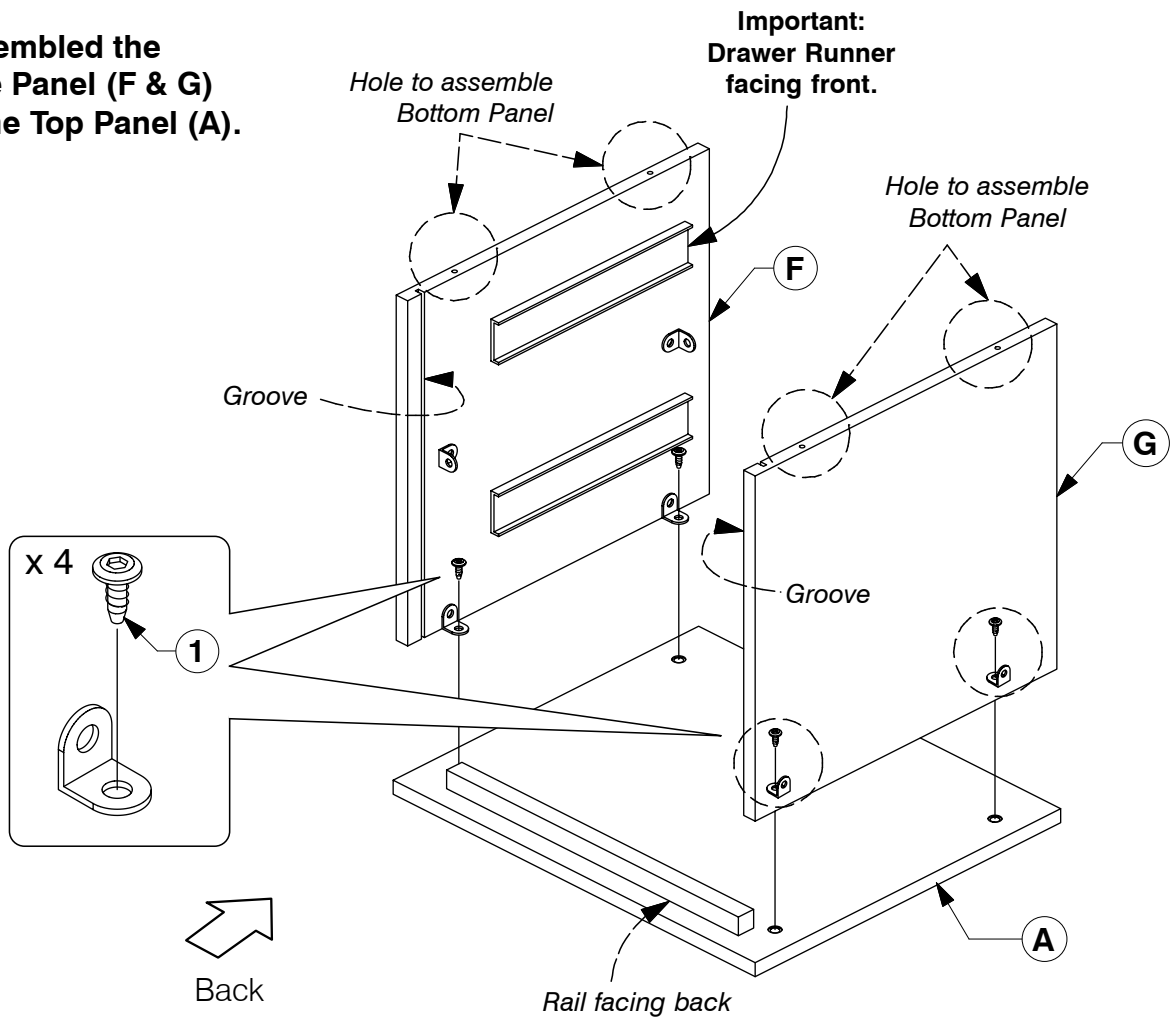
## Assembly Instructions

WI-1220

### 6 Fit the 'L' Bracket to the Side Panel (F & G).



### 7 Assembled the Side Panel (F & G) to the Top Panel (A).

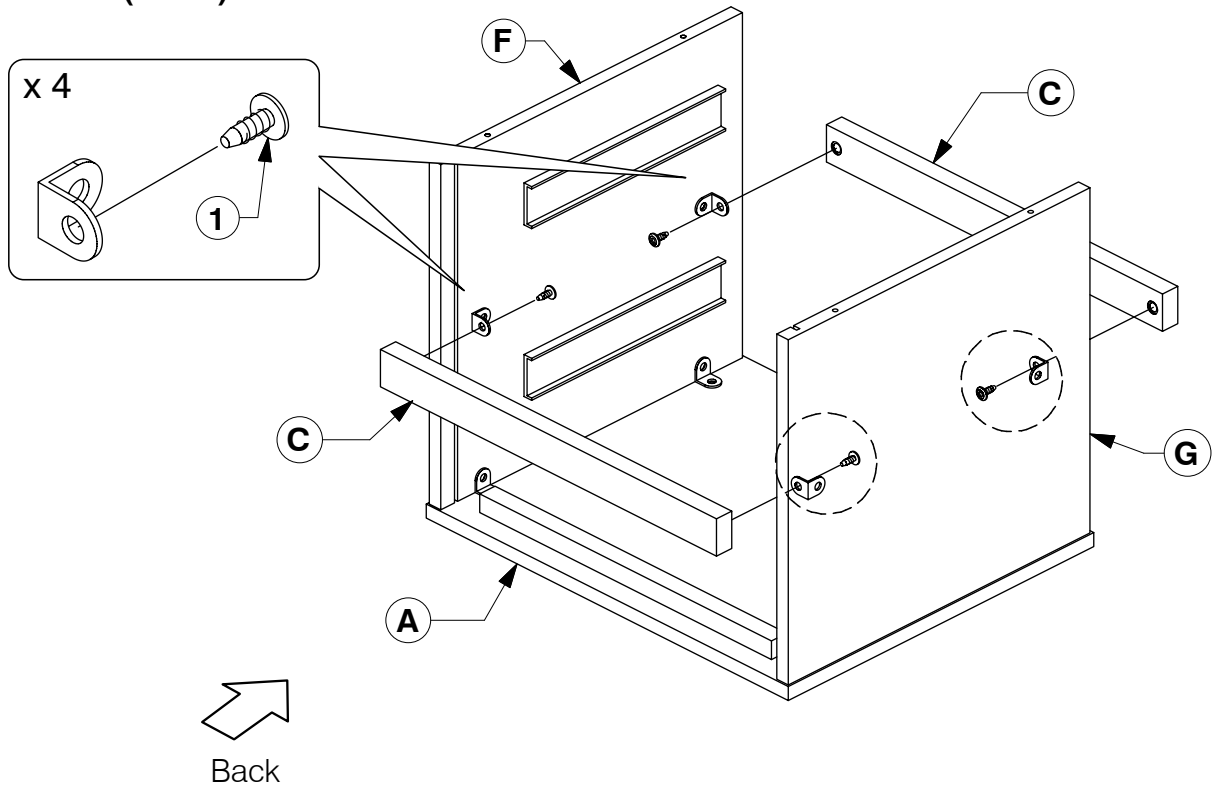


# 9001 2 Drawer Nightstand

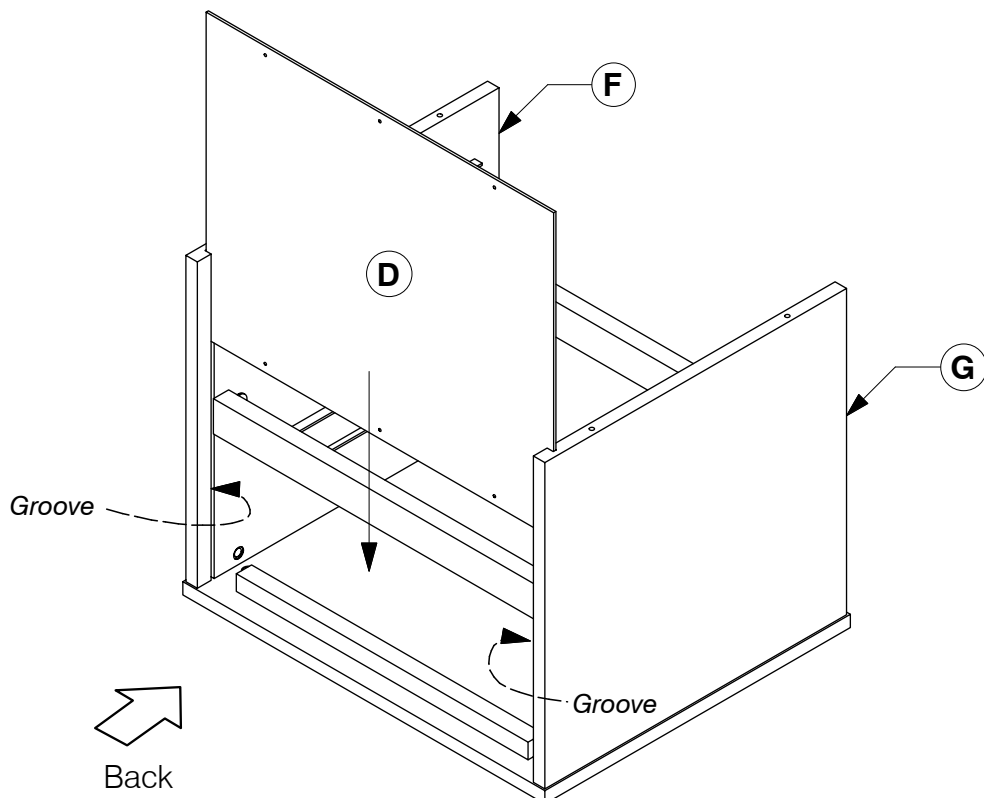
## Assembly Instructions

WI-1220

- 8** Fit the Support Bar (C) to the Side Panel (F & G).



- 9** Slide the Back Panel (D) into the groove on the back of the Side Panel (F & G).

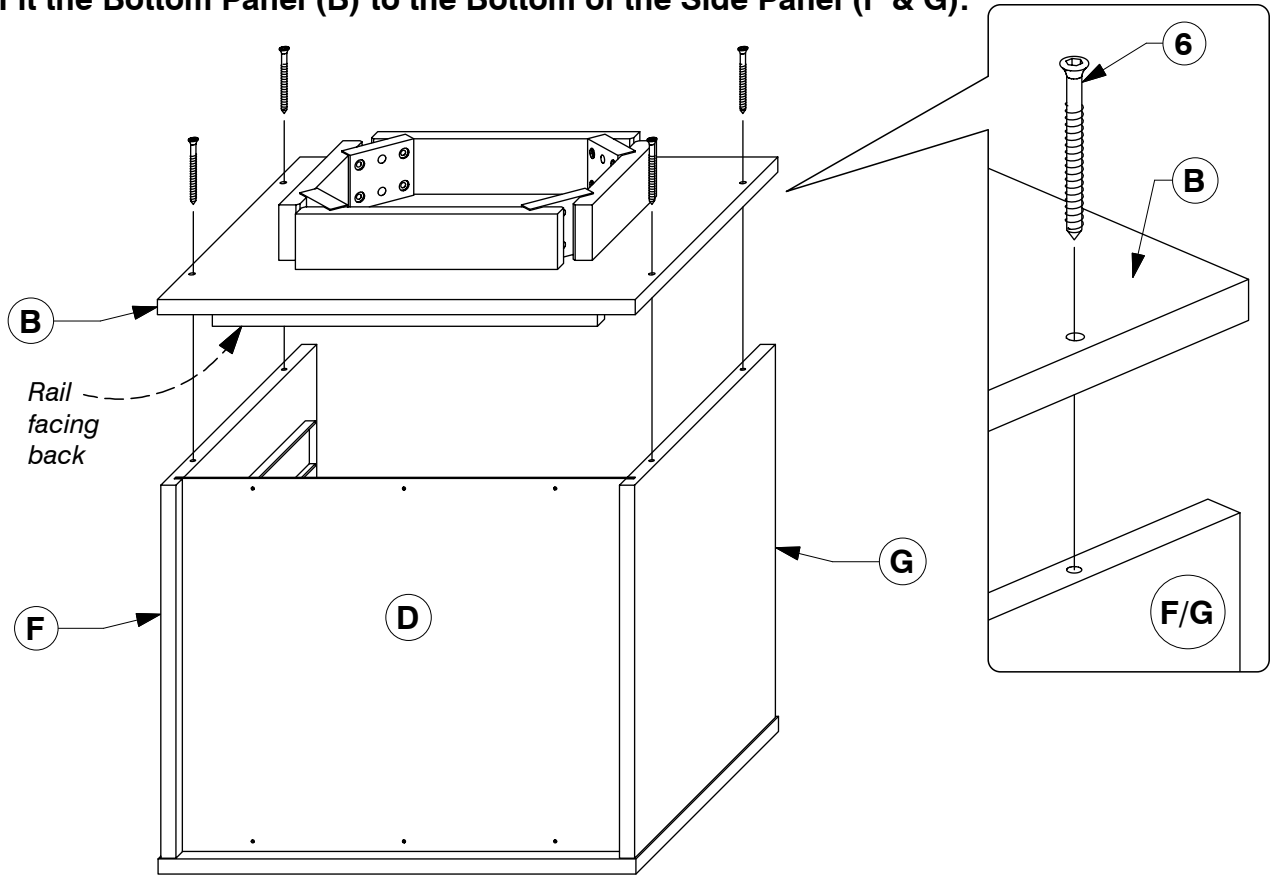


# 9001 2 Drawer Nightstand

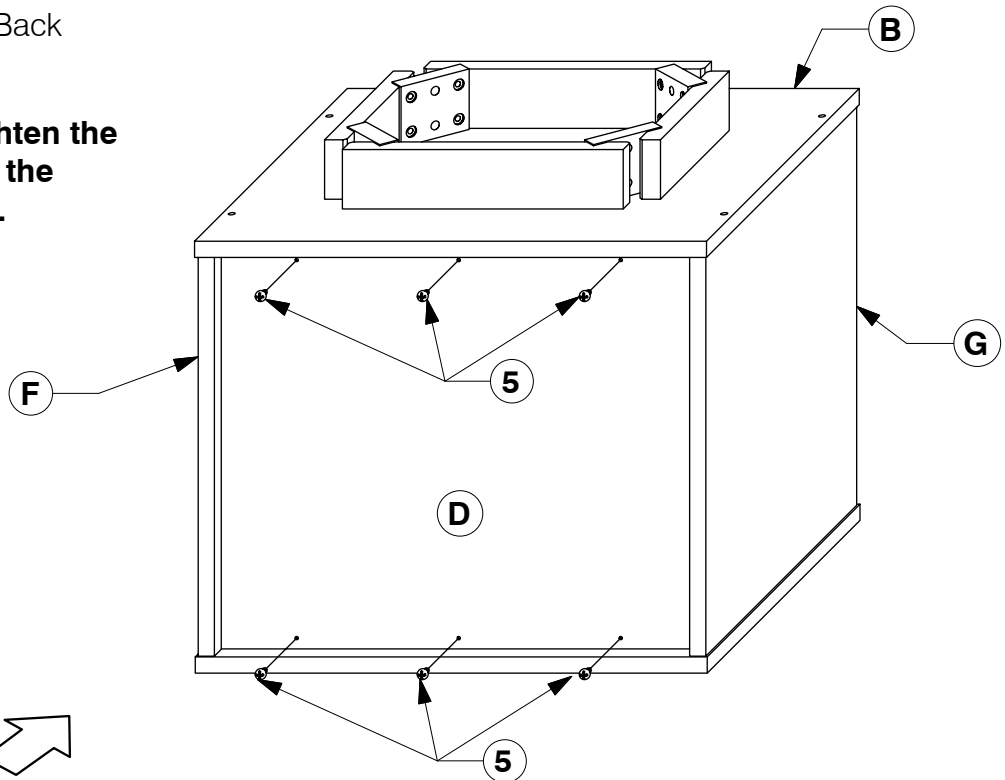
## Assembly Instructions

WI-1220

- 10** Fit the Bottom Panel (B) to the Bottom of the Side Panel (F & G).



- 11** Use screws to tighten the Back Panel (D) to the back of the frame.

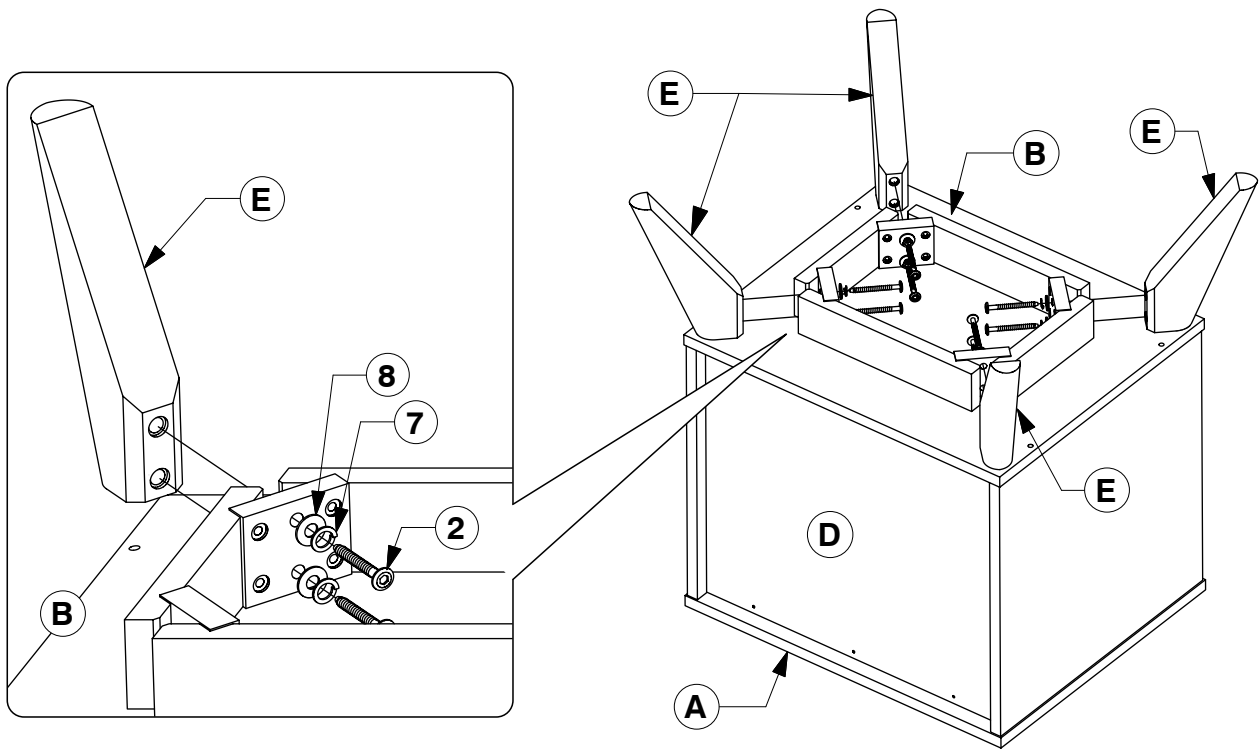


# 9001 2 Drawer Nightstand

## Assembly Instructions

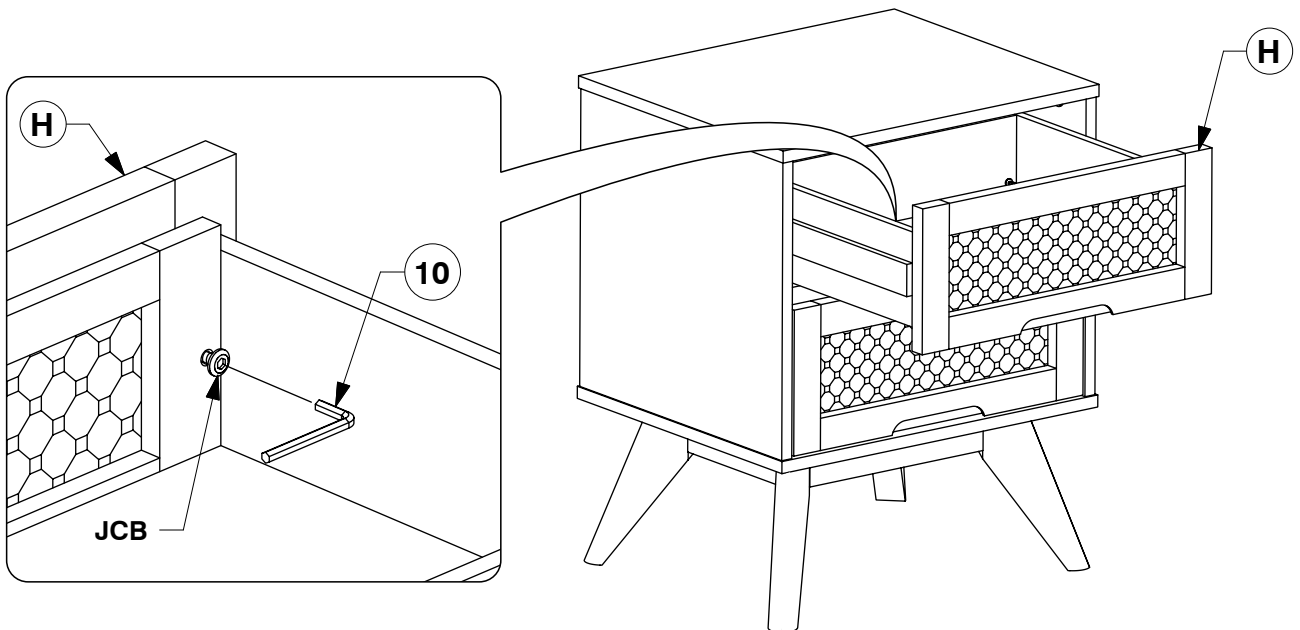
WI-1220

### 12 Fit the Post (E) to the Bottom Panel (B).



### 13 Fit and adjust the Drawer Face (H).

\* NOTE: Before fitting the Wood Screws.  
Loosen the JCBs on the Drawer Face if  
the face needs alignment.



# 9001 2 Drawer Nightstand

## Assembly Instructions

WI-1220

- 14** After the Drawer Faces (H) are aligned, secure with wood screws.

