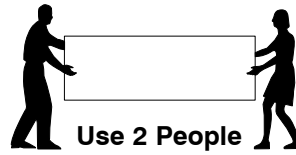
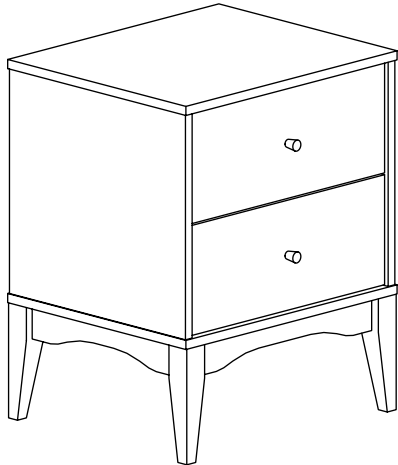


9002 2 Drawer Nightstand

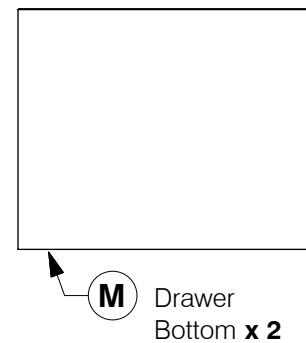
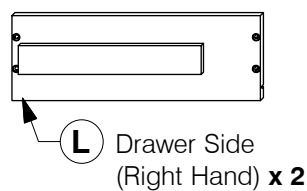
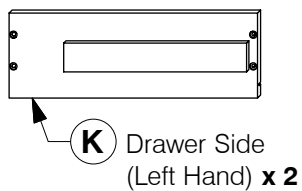
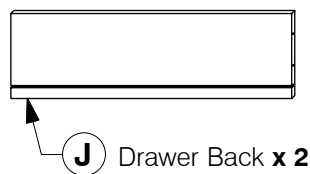
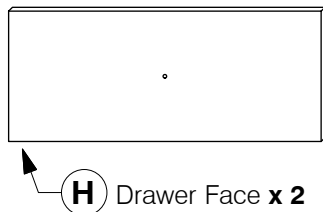
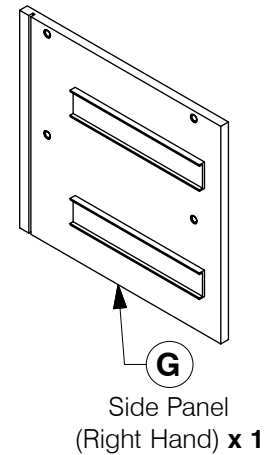
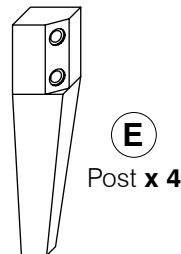
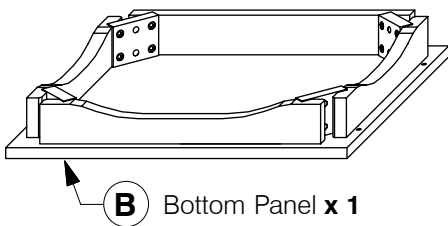
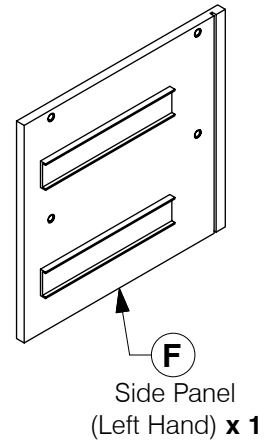
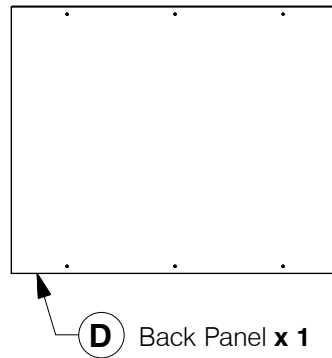
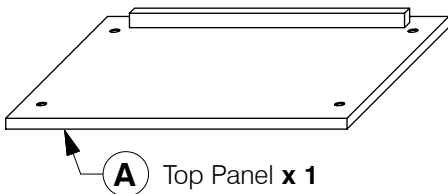
Assembly Instructions

WI-1220



Note: Do not assemble using power tools. This can cause the bolts to be overtightened

1 Parts List




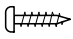
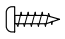









9002 2 Drawer Nightstand

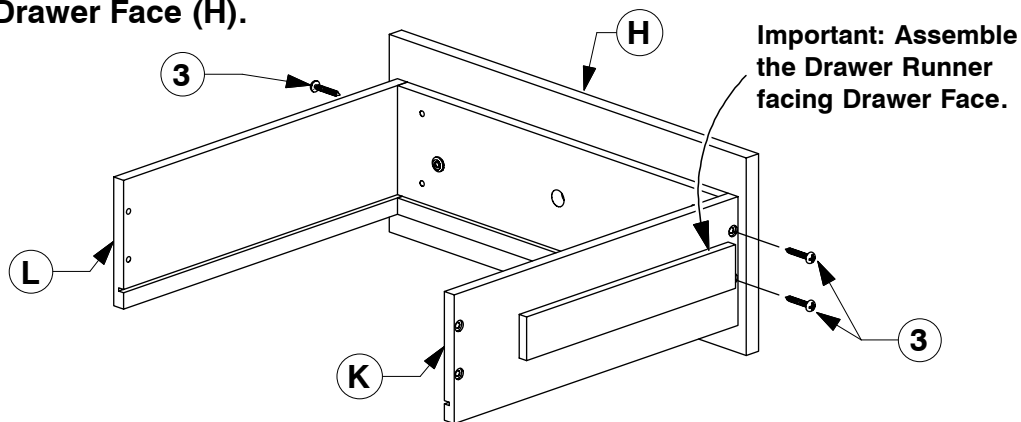
Assembly Instructions

WI-1220

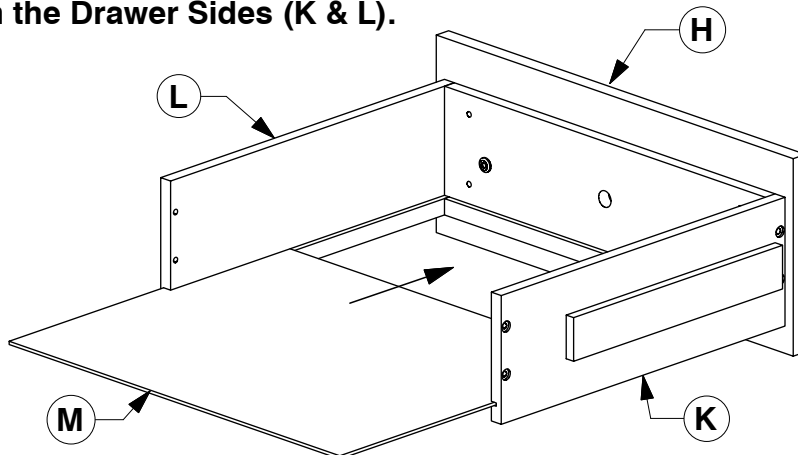
2 Hardware List

- | | | | | | |
|--|--|--|---|---|---|
| 
① M6 x 15mm
JCB x 16 | 
② M6 x 60mm
JCB x 8 | 
③ M4 x 25mm
Wood
Screw x 16 | 
④ M4 x 20mm
Wood
Screw x 8 | 
⑤ M4 x 16mm
Wood
Screw x 6 | 
⑥ CSK Cap
Wood Screw
(M6 x 50mm) x 4 |
| 
⑦ Spring
Washer
x 8 | 
⑧ Flat
Washer
x 8 | 
⑨ 'L' Bracket
(5005-3)
x 8 | 
⑩ M4 x 18mm
Wood Screw
x 2 | 
⑪ Handle
(1005)
x 2 | 
⑫ Allen Key
x 1 |

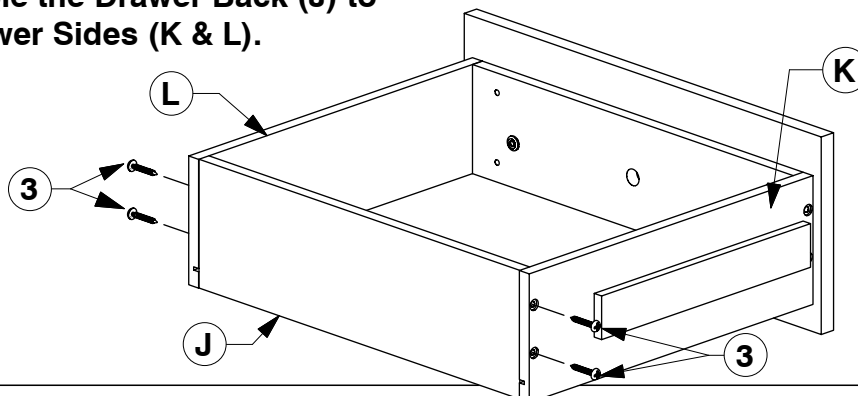
3 Assemble the Drawer Sides (K & L) to the Drawer Face (H).



4 Slide the Drawer Bottom (M) into the groove on the Drawer Sides (K & L).



5 Assemble the Drawer Back (J) to the Drawer Sides (K & L).

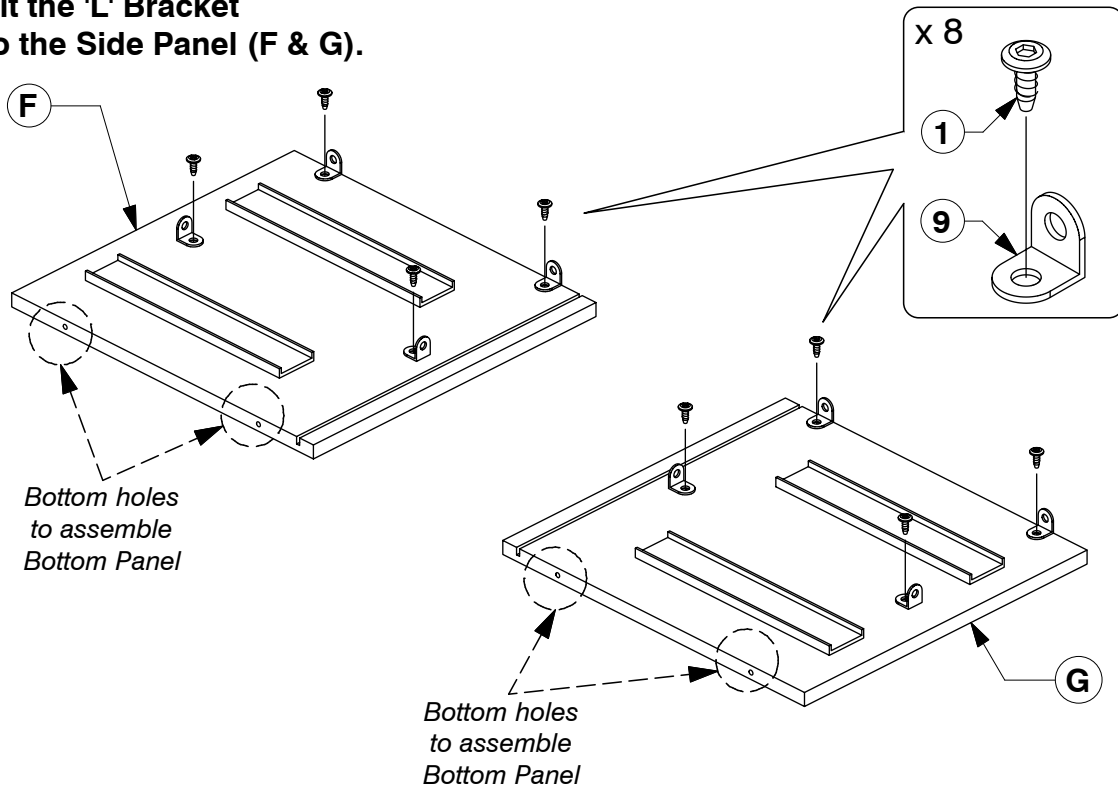


9002 2 Drawer Nightstand

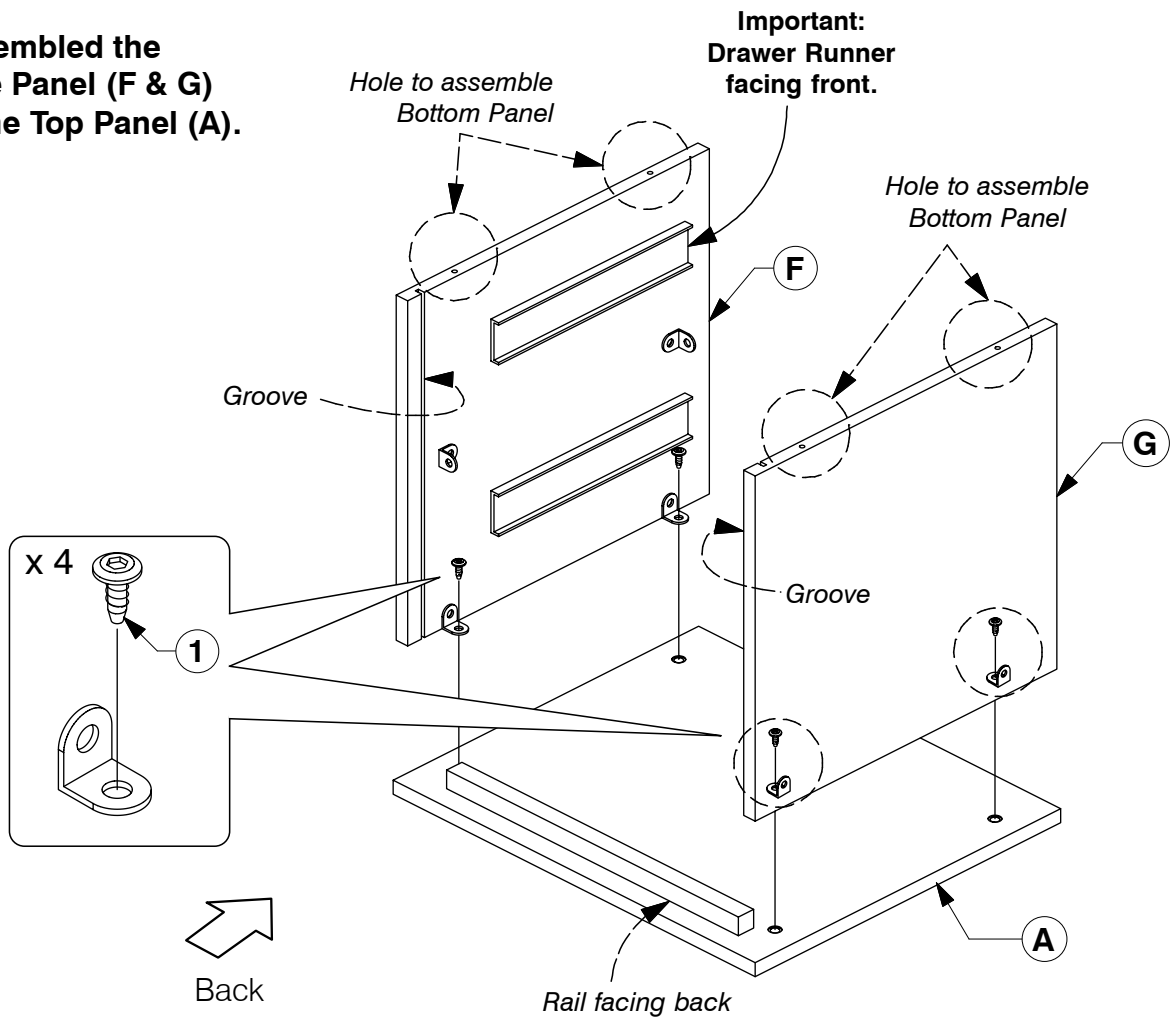
Assembly Instructions

WI-1220

6 Fit the 'L' Bracket to the Side Panel (F & G).



7 Assembled the Side Panel (F & G) to the Top Panel (A).

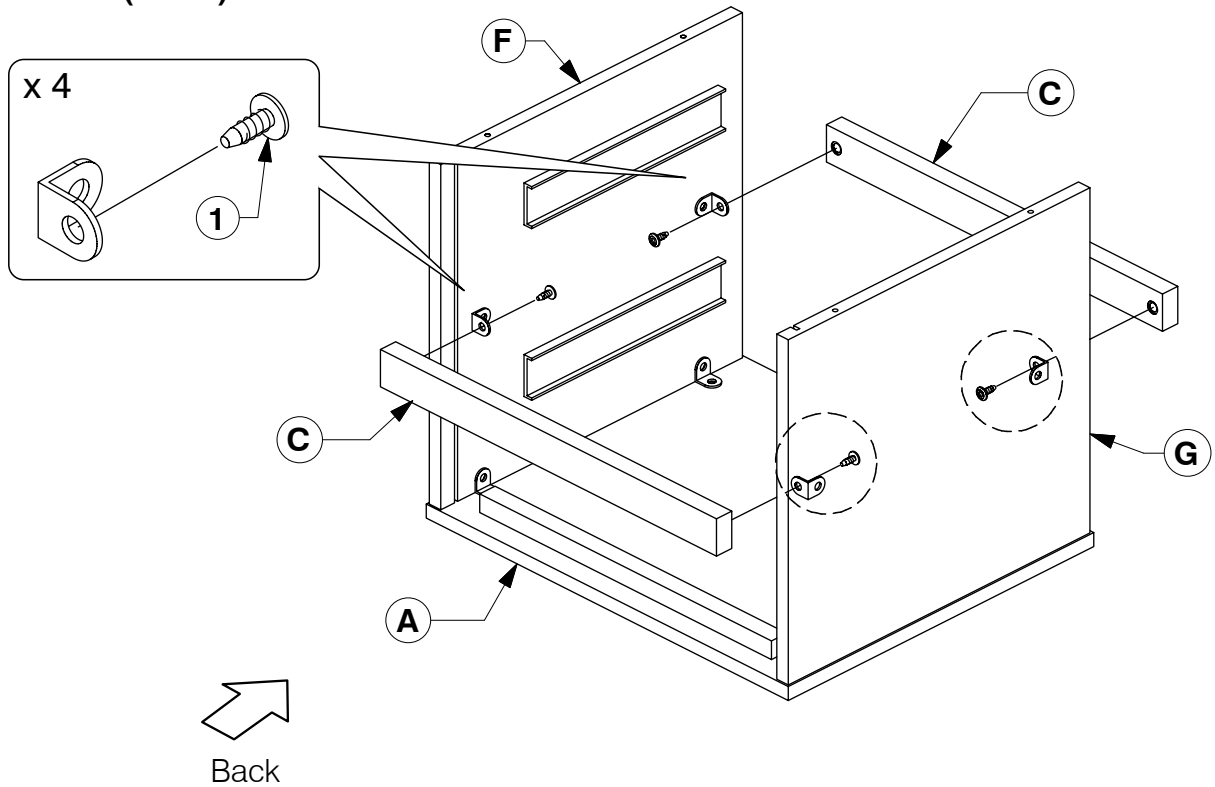


9002 2 Drawer Nightstand

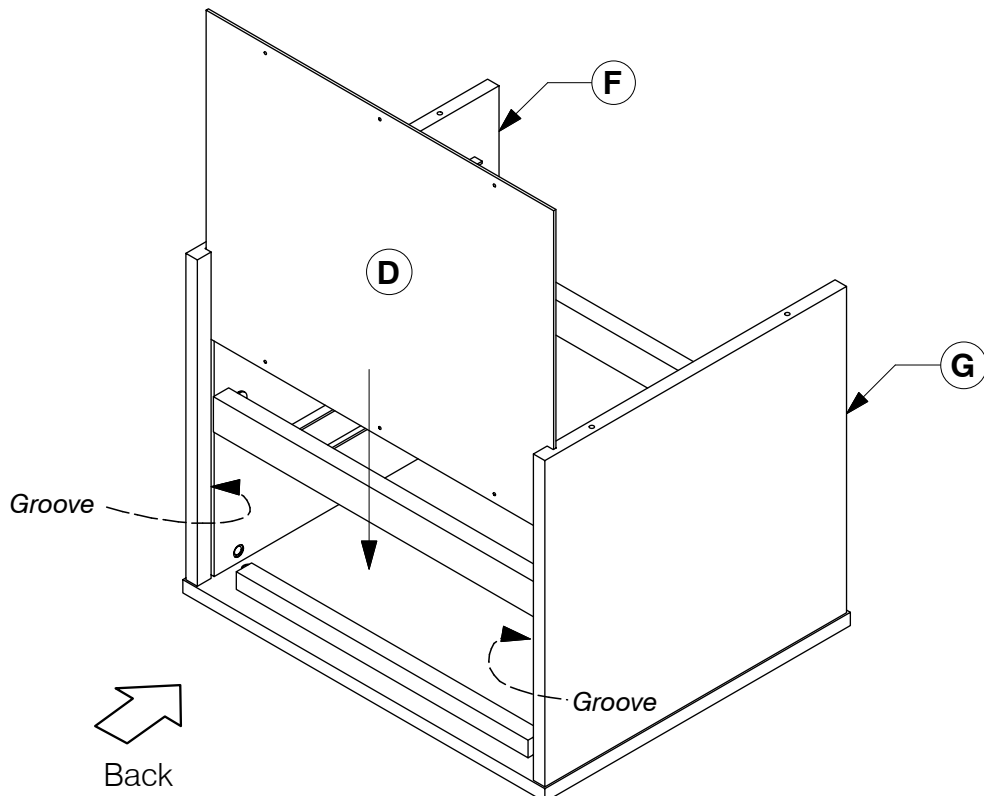
Assembly Instructions

WI-1220

- 8** Fit the Support Bar (C) to the Side Panel (F & G).



- 9** Slide the Back Panel (D) into the groove on the back of the Side Panel (F & G).

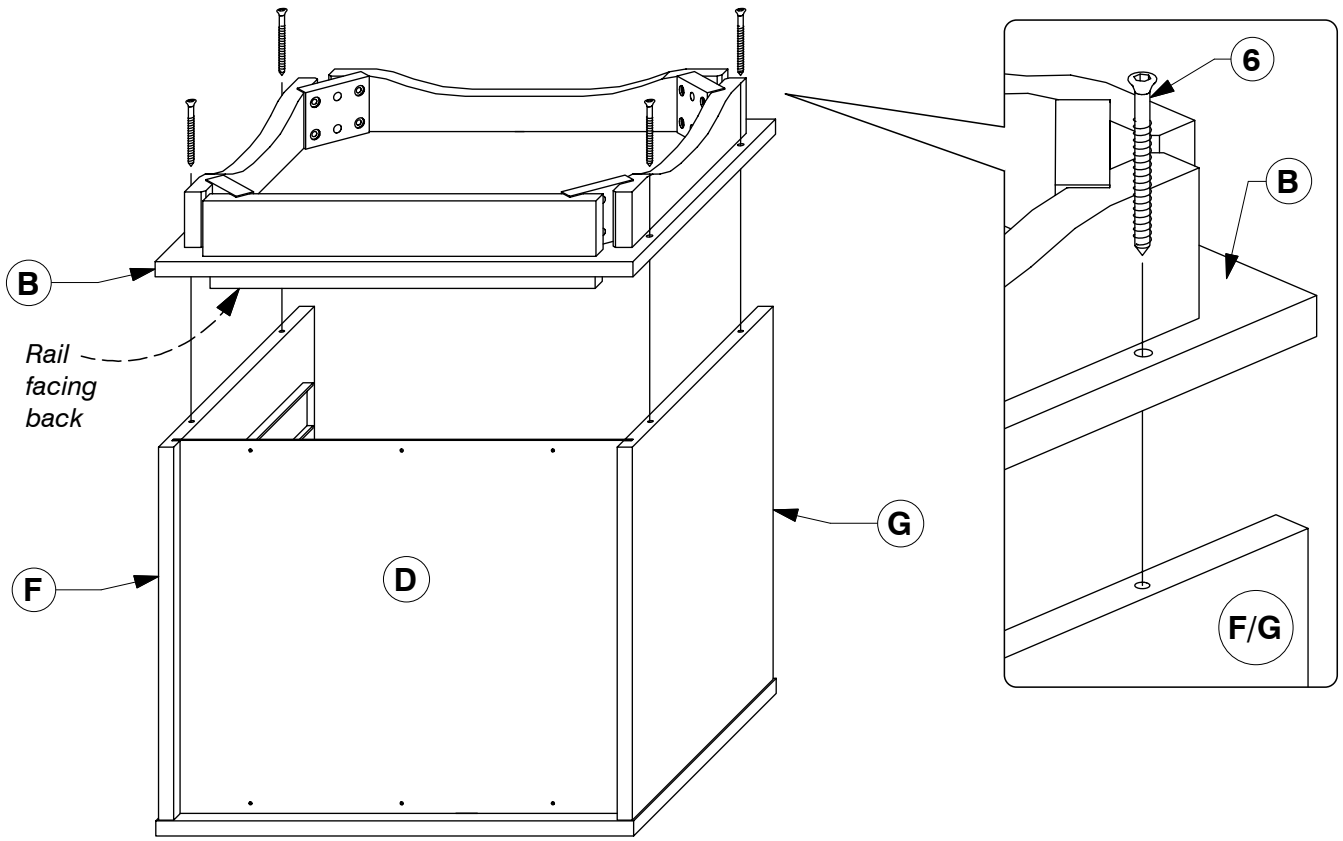


9002 2 Drawer Nightstand

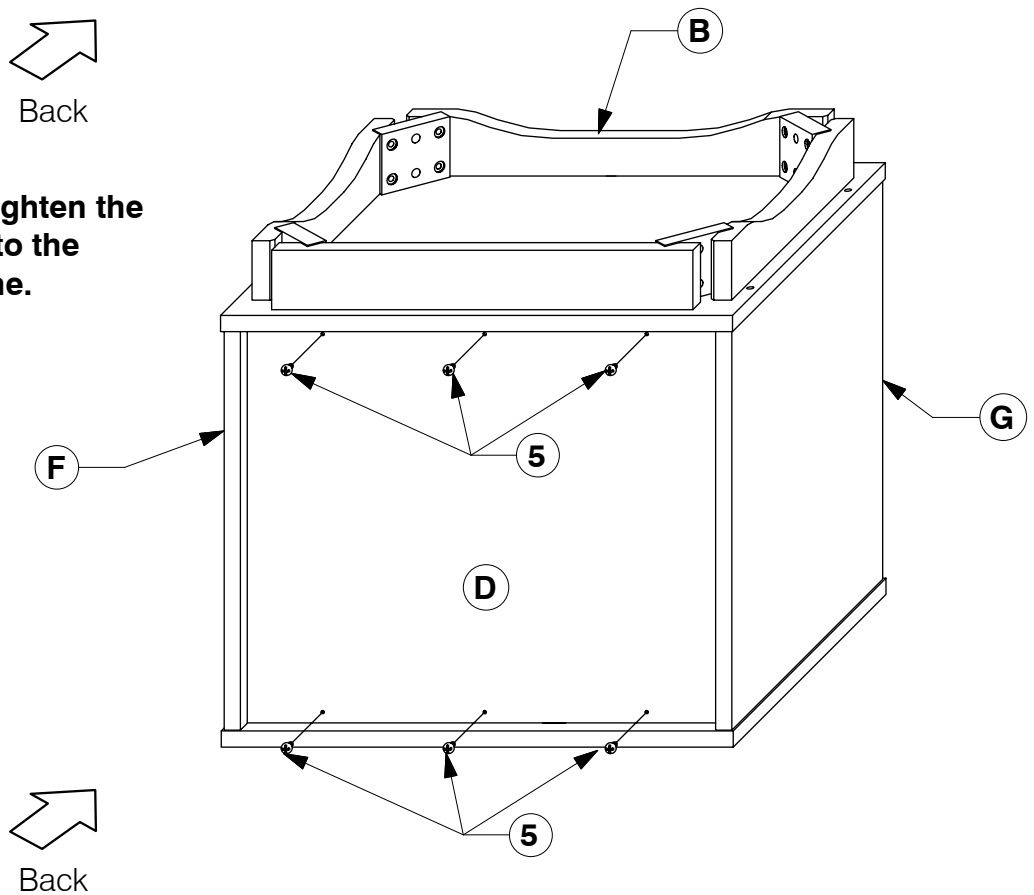
Assembly Instructions

WI-1220

- 10** Fit the Bottom Panel (B) to the Bottom of the Side Panel (F & G).



- 11** Use screws to tighten the Back Panel (D) to the back of the frame.

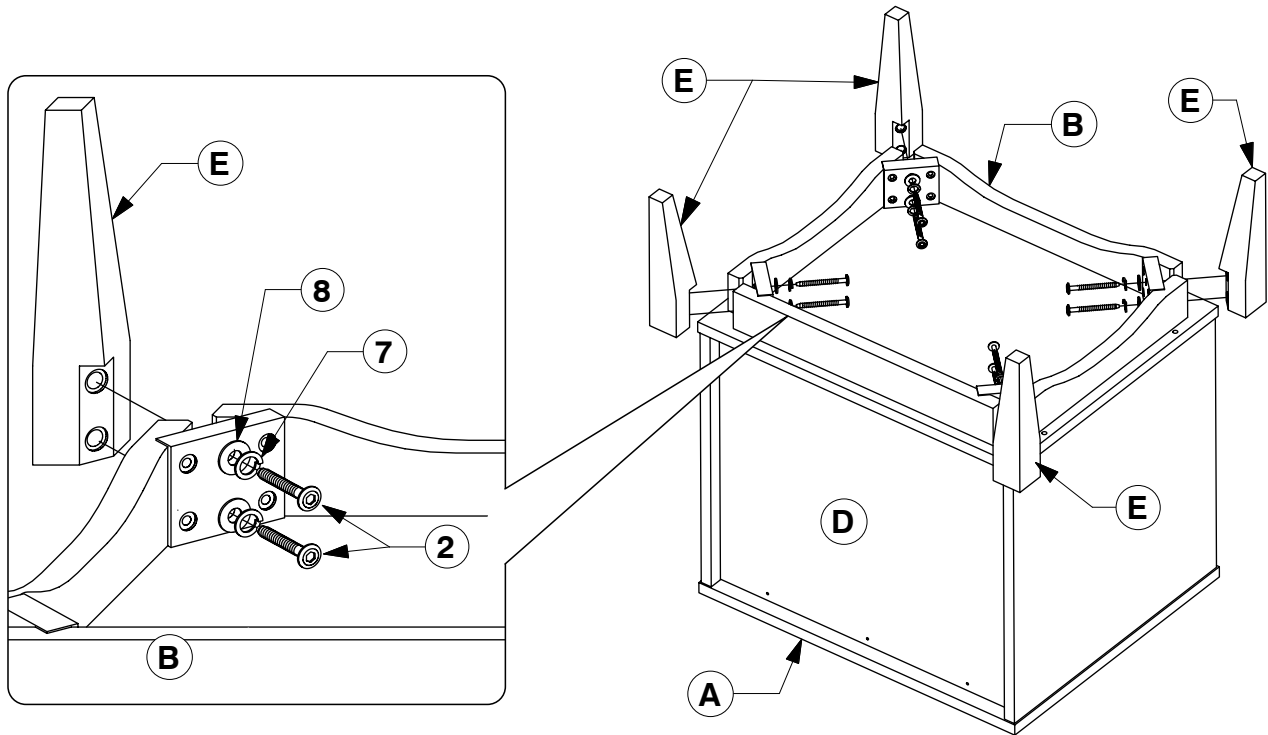


9002 2 Drawer Nightstand

Assembly Instructions

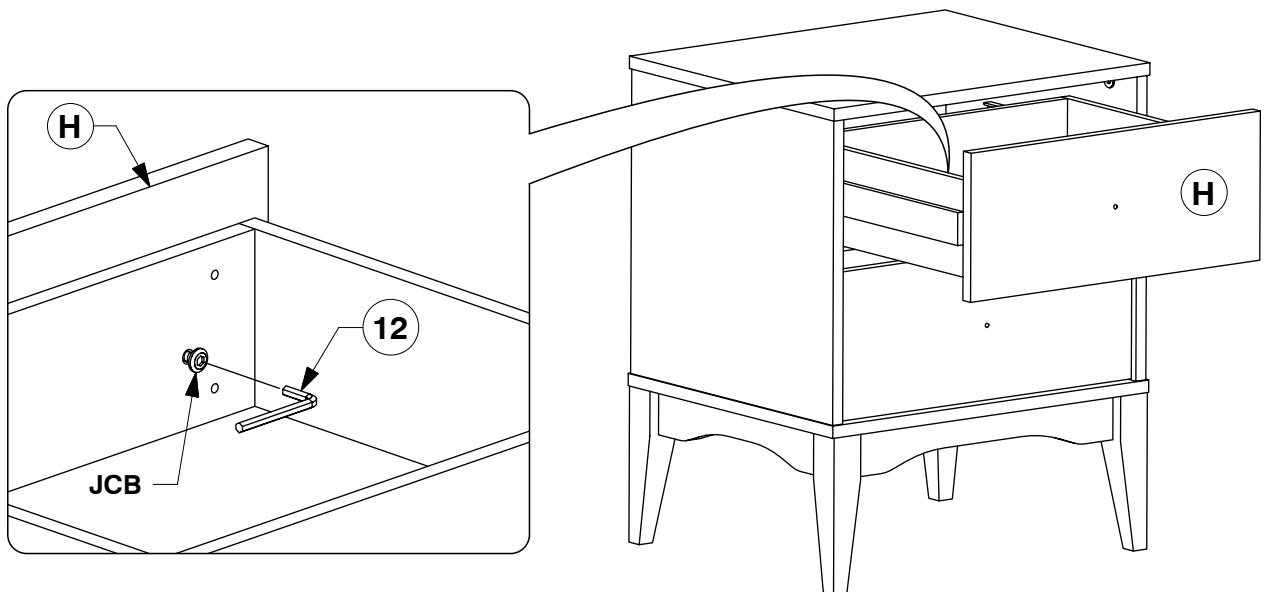
WI-1220

12 Fit the Post (E) to the Bottom Panel (B).



13 Fit and adjust the Drawer Face (H).

* NOTE: Before fitting the Wood Screws.
Loosen the JCBs on the Drawer Face if
the face needs alignment.

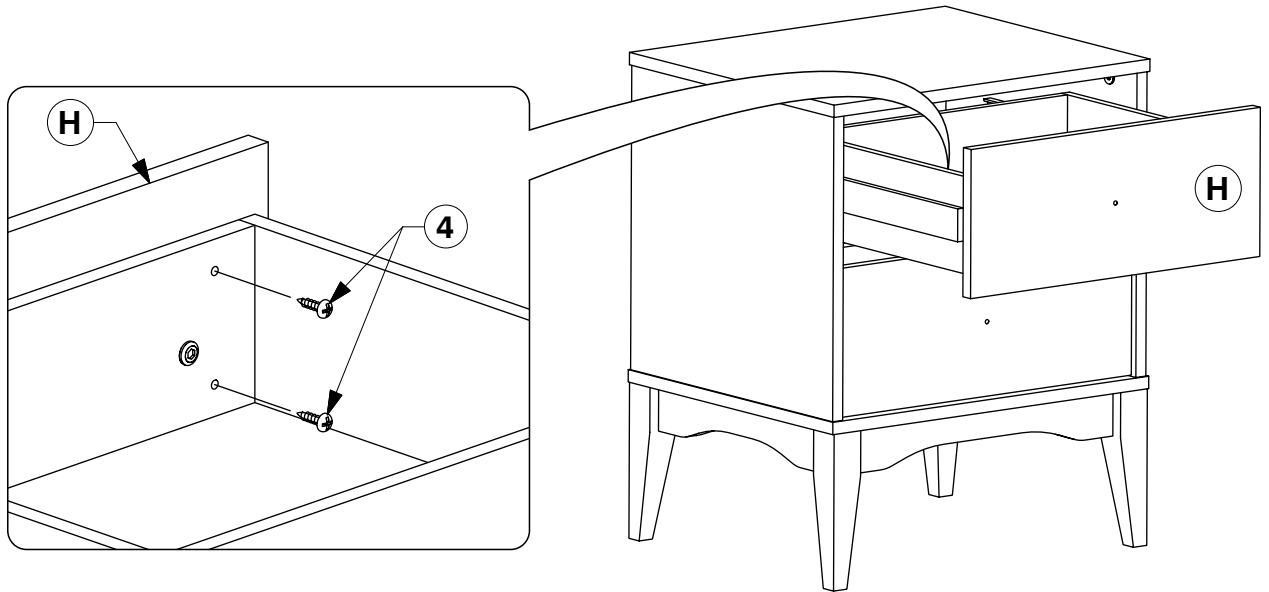


9002 2 Drawer Nightstand

Assembly Instructions

WI-1220

- 14** After the Drawer Faces (H) are aligned, secure with wood screws.



- 15** Finally, fit the Handle to the Drawer Face (H).

