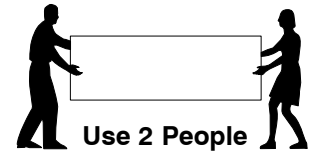
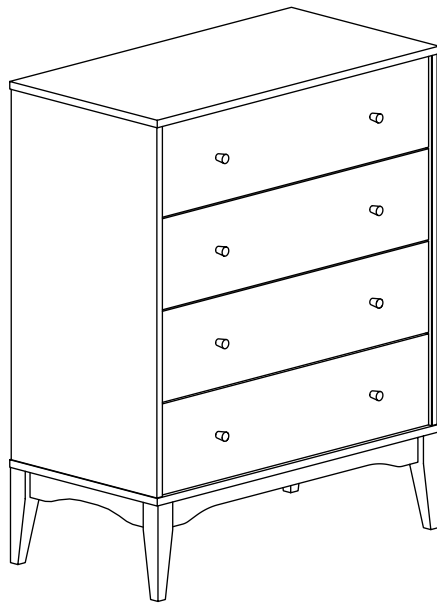


9002 4 Drawer Chest

Assembly Instructions

WI-1220



Note: Do not assemble using power tools. This can cause the bolts to be overtightened

1 Parts List

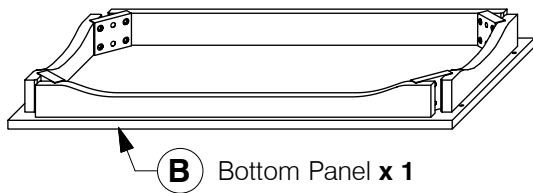
Parts in Box A:



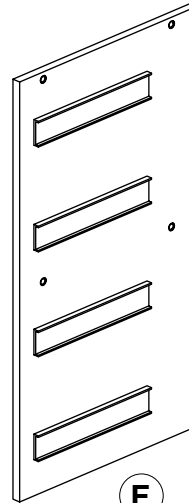
A Top Panel x 1



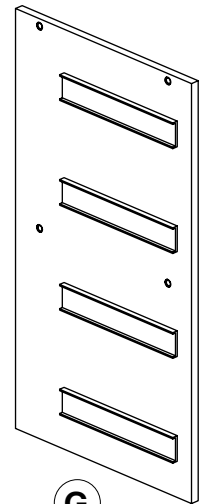
E Support Bar x 2



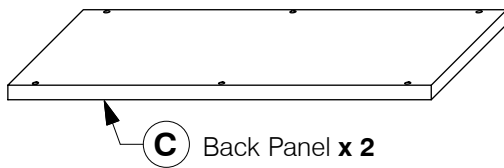
B Bottom Panel x 1



F
Side Panel
(Left Hand) x 1



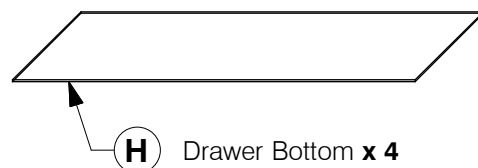
G
Side Panel
(Right Hand) x 1



C Back Panel x 2



D
Post x 4



H Drawer Bottom x 4

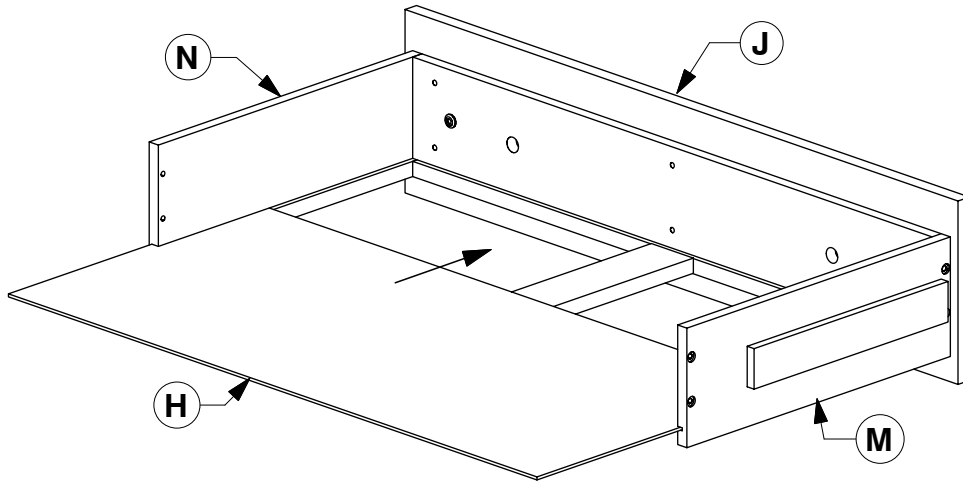
9002 4 Drawer Chest

Assembly Instructions

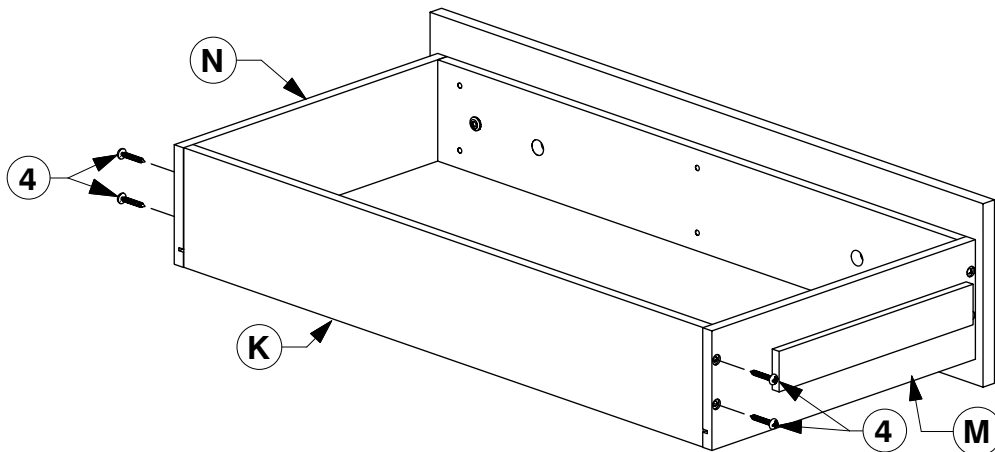
WI-1220

- 4** Slide the Drawer Bottom (H) into the groove on the Drawer Sides (M & N).

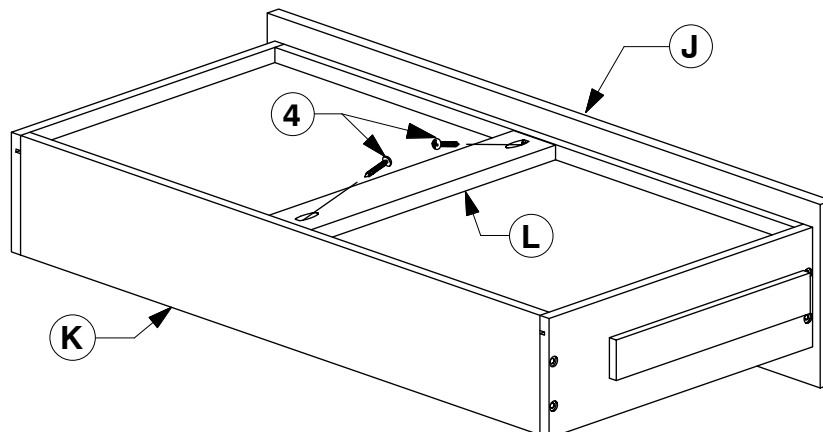
x4



- 5** Assemble the Drawer Back (K) to the Drawer Sides (M & N).



- 6** Turn the Drawer over to fit angled 25mm Wood screws (4) to the Drawer Rail (L).

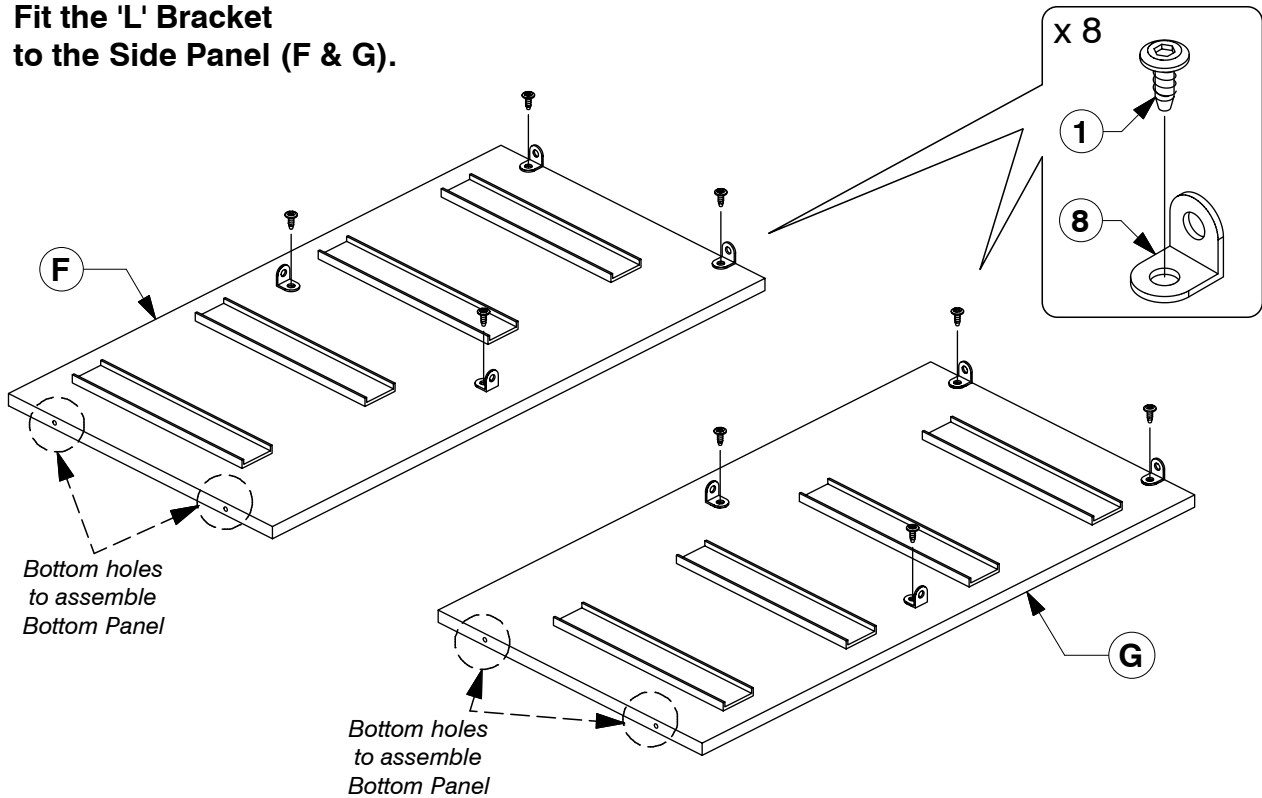


9002 4 Drawer Chest

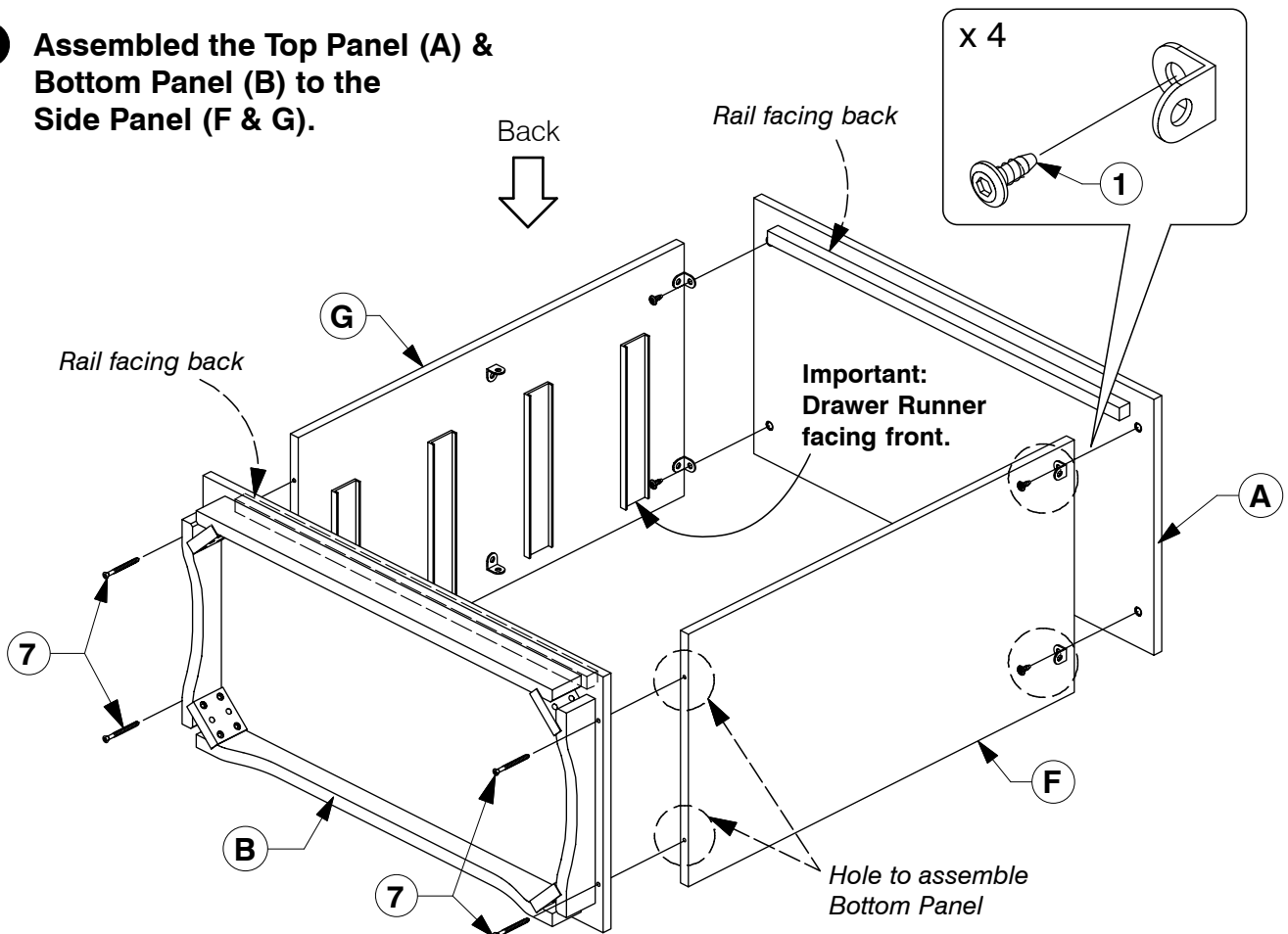
Assembly Instructions

WI-1220

7 Fit the 'L' Bracket to the Side Panel (F & G).



8 Assembled the Top Panel (A) & Bottom Panel (B) to the Side Panel (F & G).

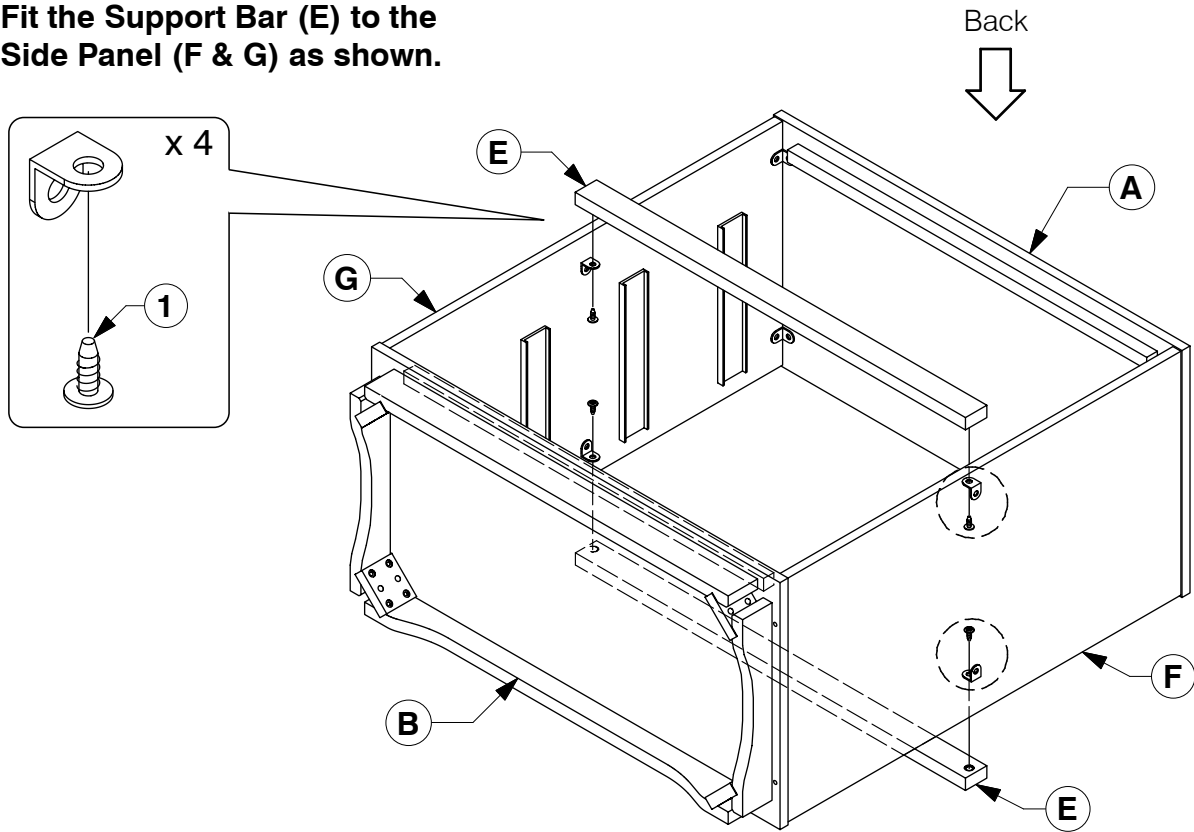


9002 4 Drawer Chest

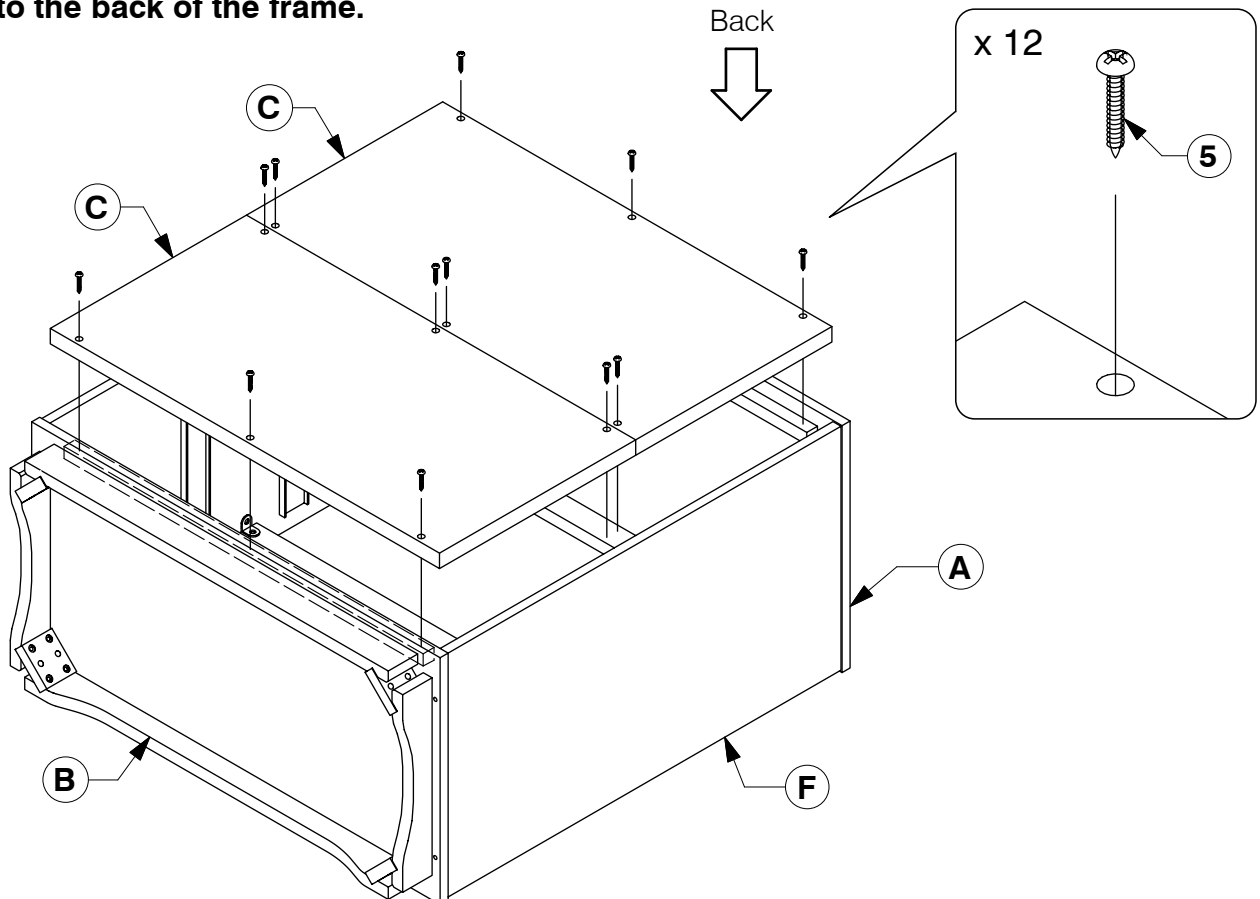
Assembly Instructions

WI-1220

- 9** Fit the Support Bar (E) to the Side Panel (F & G) as shown.



- 10** Attached the Back Panel (C) to the back of the frame.

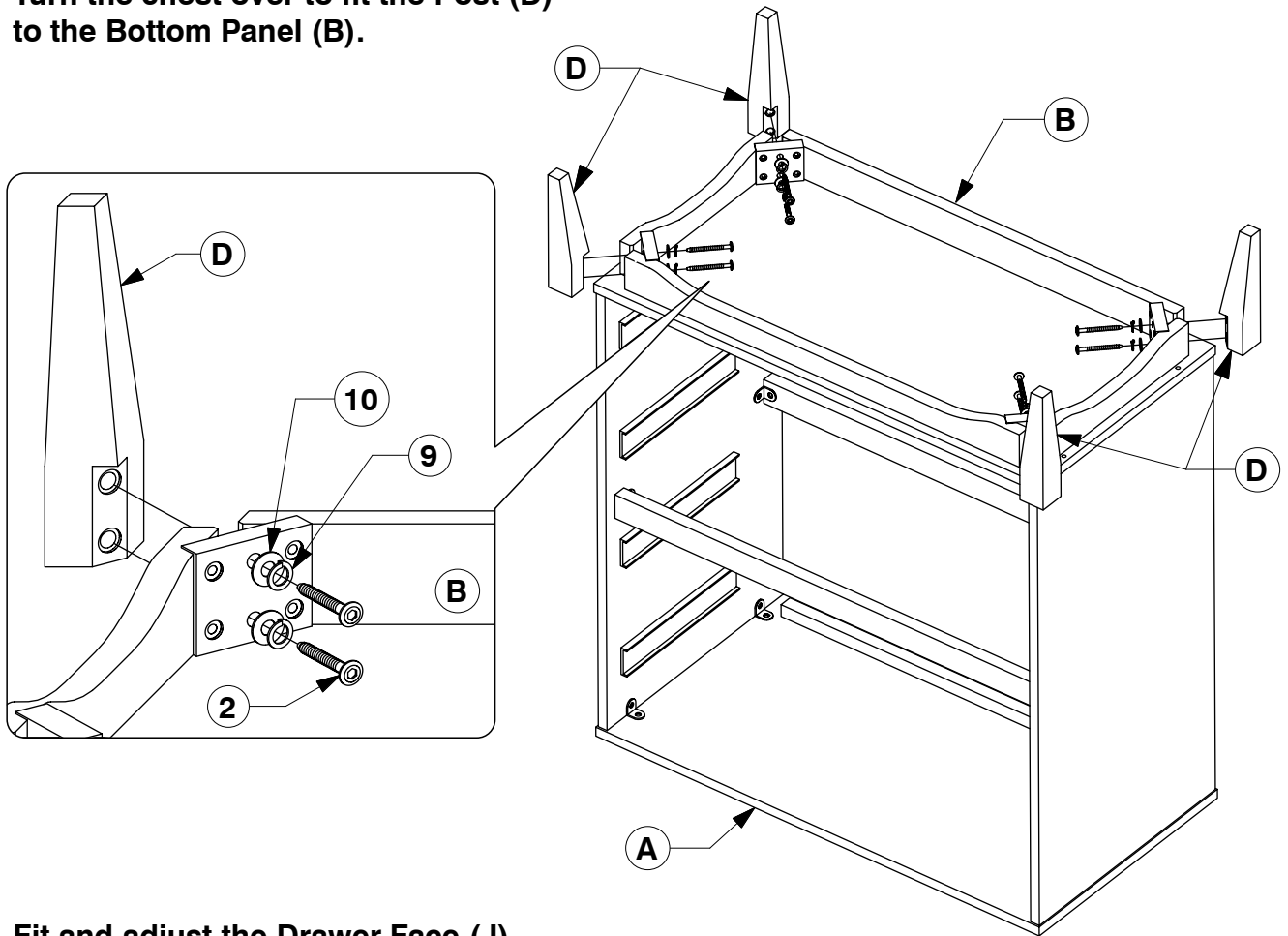


9002 4 Drawer Chest

Assembly Instructions

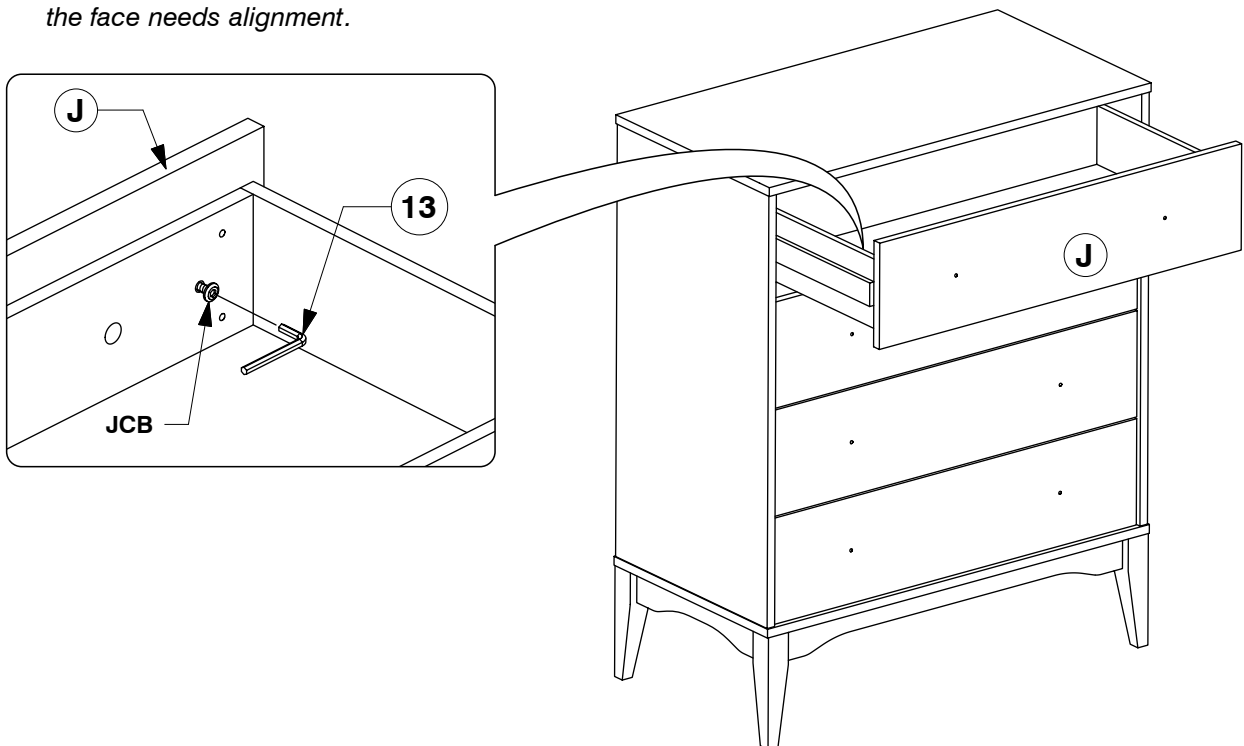
WI-1220

- 11** Turn the chest over to fit the Post (D) to the Bottom Panel (B).



- 12** Fit and adjust the Drawer Face (J).

* NOTE: Before fitting the Wood Screws.
Loosen the JCBs on the Drawer Face if the face needs alignment.

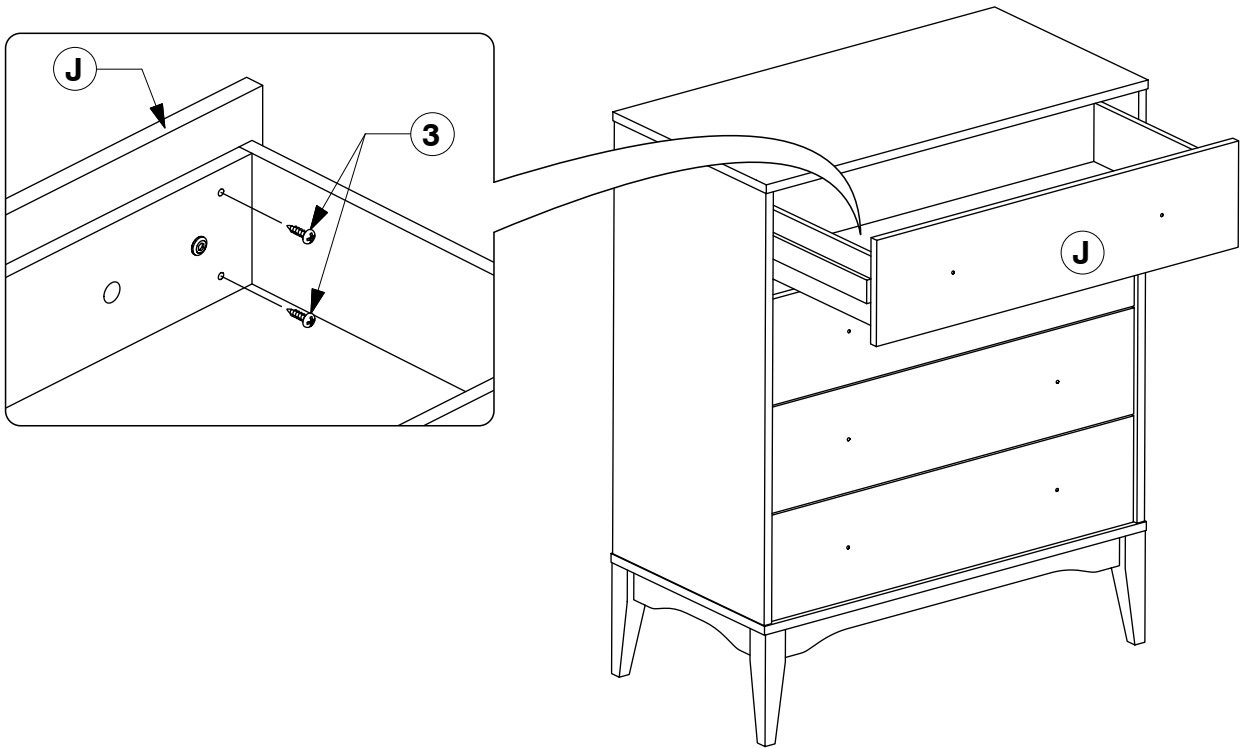


9002 4 Drawer Chest

Assembly Instructions

WI-1220

- 13** After the Drawer Faces (J) are aligned, secure with wood screws.



- 14** Finally, fit the Handle to the Drawer Face (J).

